



US00D655369S

(12) **United States Design Patent**  
**Häfner**

(10) **Patent No.:** **US D655,369 S**  
(45) **Date of Patent:** **\*\* Mar. 6, 2012**

(54) **SPOOL**  
(75) Inventor: **Jan Häfner**, Leopoldshöhe (DE)  
(73) Assignee: **Häfner & Krullman GmbH**,  
Leopoldshöhe (DE)  
(\*\*) Term: **14 Years**  
(21) Appl. No.: **29/394,641**  
(22) Filed: **Jun. 20, 2011**

D372,758 S \* 8/1996 Kaneko et al. .... D22/137  
D409,712 S \* 5/1999 Kobayashi ..... D22/137  
D472,603 S \* 4/2003 Shepler et al. .... D22/137  
D527,070 S \* 8/2006 Venes ..... D22/137

(30) **Foreign Application Priority Data**

Dec. 22, 2010 (DE) ..... 40 2010 005 243.9  
(51) **LOC (9) Cl.** ..... **22-05**  
(52) **U.S. Cl.** ..... **D22/137**  
(58) **Field of Classification Search** ..... D22/137-138,  
D22/140-141; 242/118.4, 125.2, 322, 396.5,  
242/405.3, 580, 310-311, 230-231, 370,  
242/570, 118.8, 118.41, 609.1, 614  
See application file for complete search history.

**OTHER PUBLICATIONS**

Precision Spools, Wire Reels and DIN 200 & DIN 250 Reels, <http://www.precision-spools.com/wire-reels.html>, Feb. 4, 2011.  
Mossberg Industries, Inc., Mossberg Industries Structural Foam Reels, [http://www.mossbergind.com/sfr\\_new.html](http://www.mossbergind.com/sfr_new.html), Feb. 4, 2011.

\* cited by examiner

*Primary Examiner* — Catheri Oliver

(74) *Attorney, Agent, or Firm* — Richard M. Goldberg

**CLAIM**

(57) The ornamental design for a spool, as shown and described.

**DESCRIPTION**

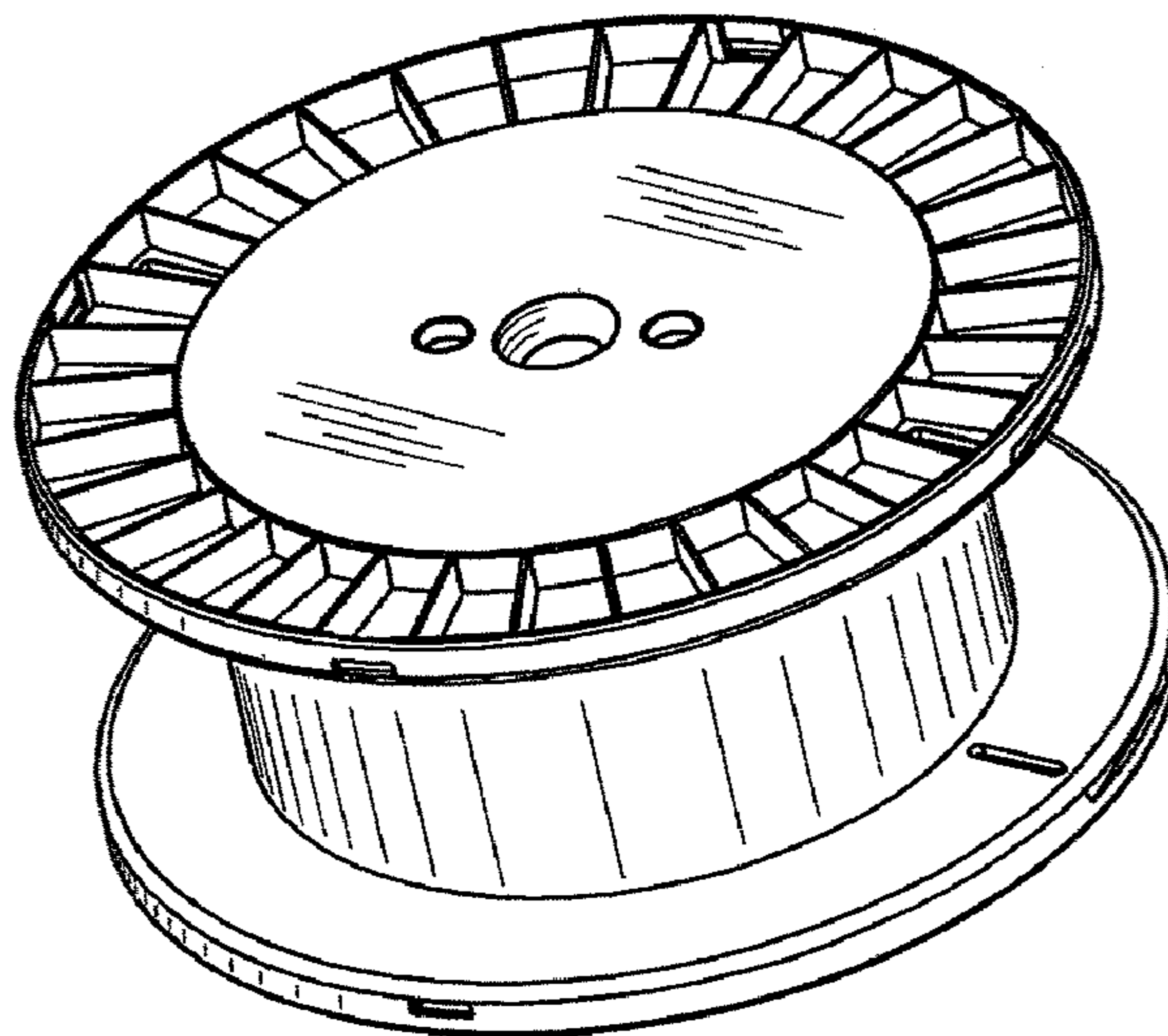
FIG. 1 is a perspective view of the spool of my design;  
FIG. 2 is a top plan view thereof, with the bottom plan view being the same;  
FIG. 3 is a front elevational view thereof, with the rear elevational view being the same;  
FIG. 4 is an enlarged elevational view of a circled portion of the spool of FIG. 3; and,  
FIG. 5 is a left side elevational view thereof, with the right side elevational view being the same.

(56) **References Cited**

**U.S. PATENT DOCUMENTS**

3,176,932 A \* 4/1965 Kovaleski ..... 242/118.8  
4,602,751 A \* 7/1986 Vogel ..... 242/118.4  
D312,294 S \* 11/1990 Doskocil et al. .... D22/137  
D331,093 S \* 11/1992 Kelly, Sr. .... D22/137

**1 Claim, 1 Drawing Sheet**



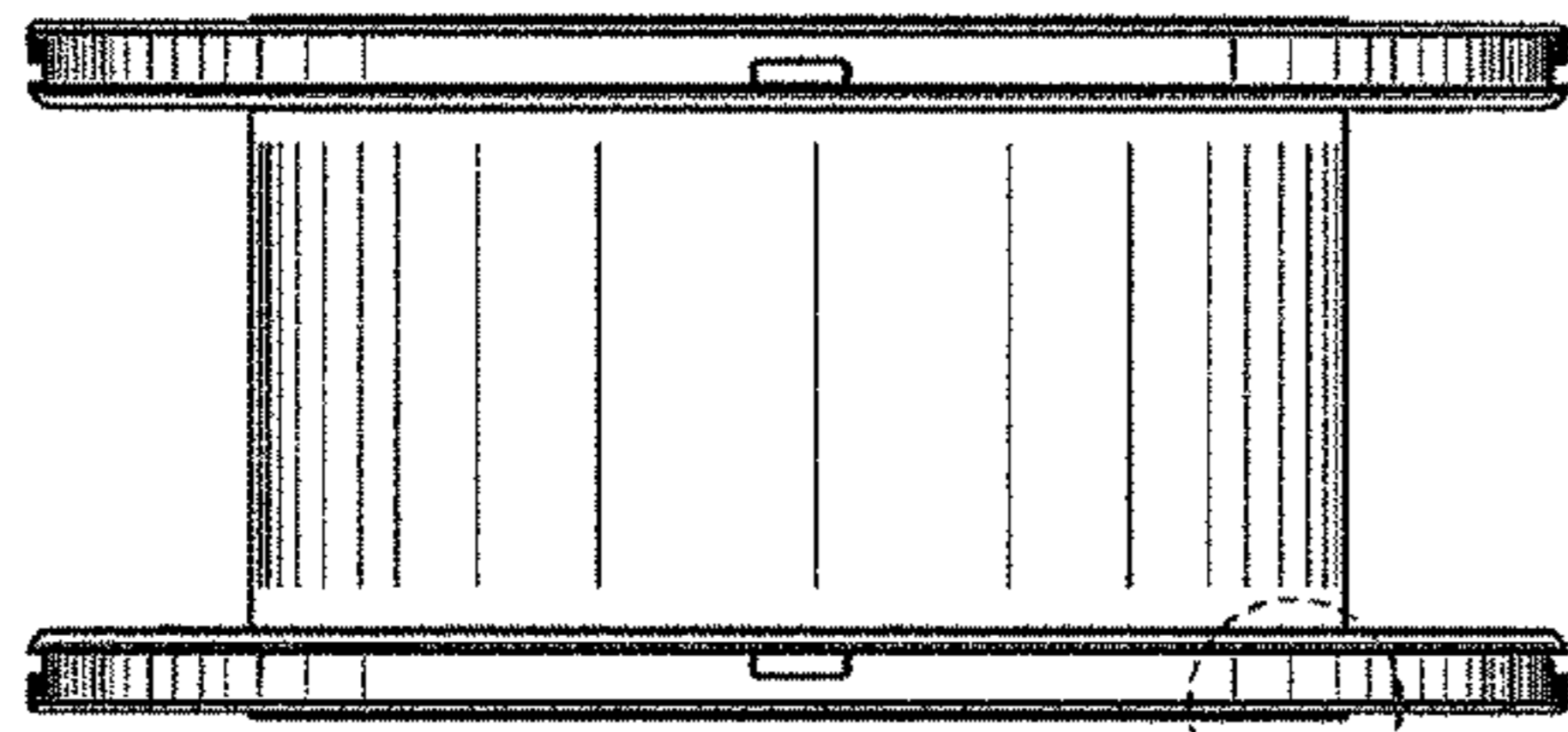


FIG. 3

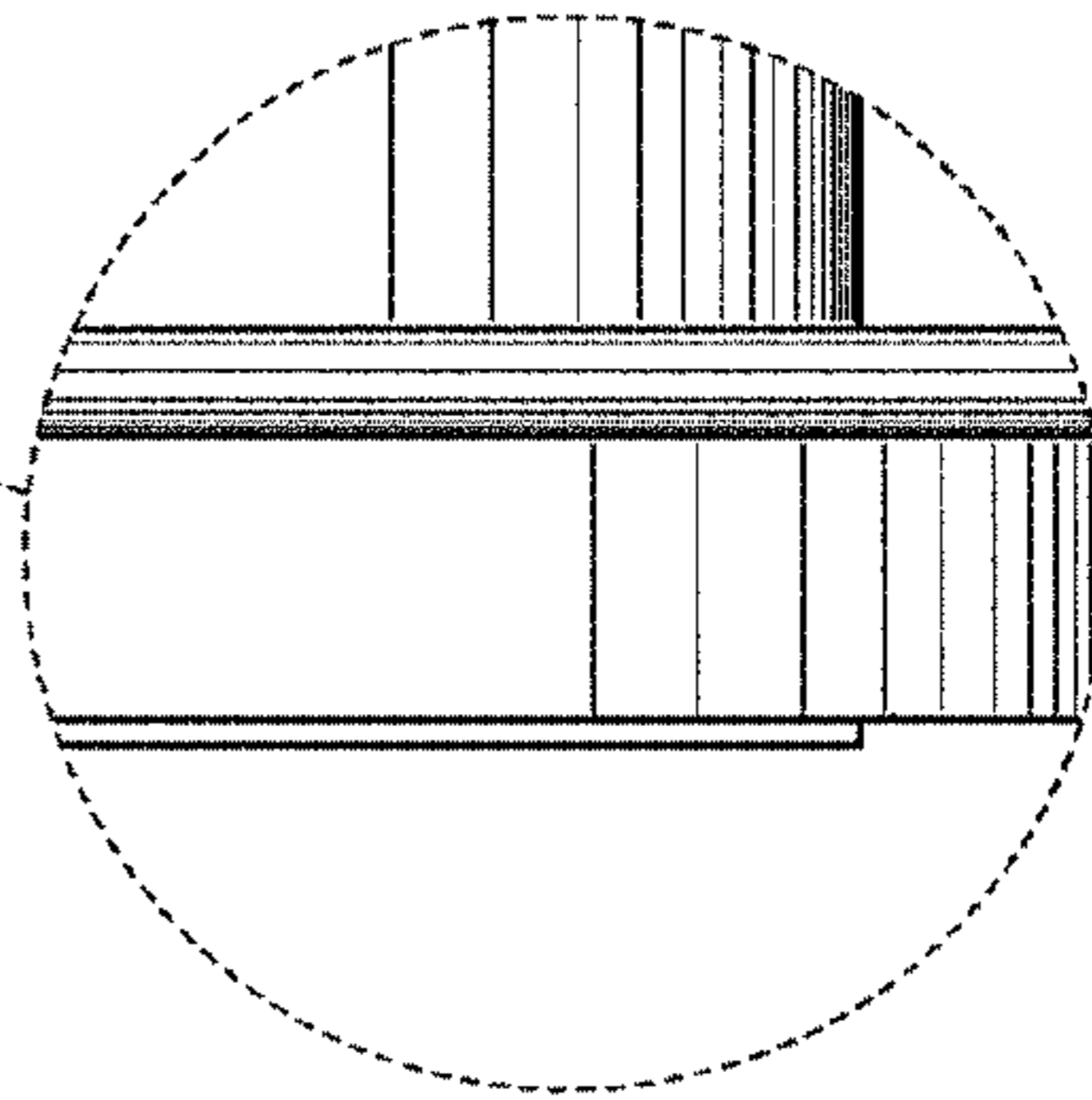


FIG. 4

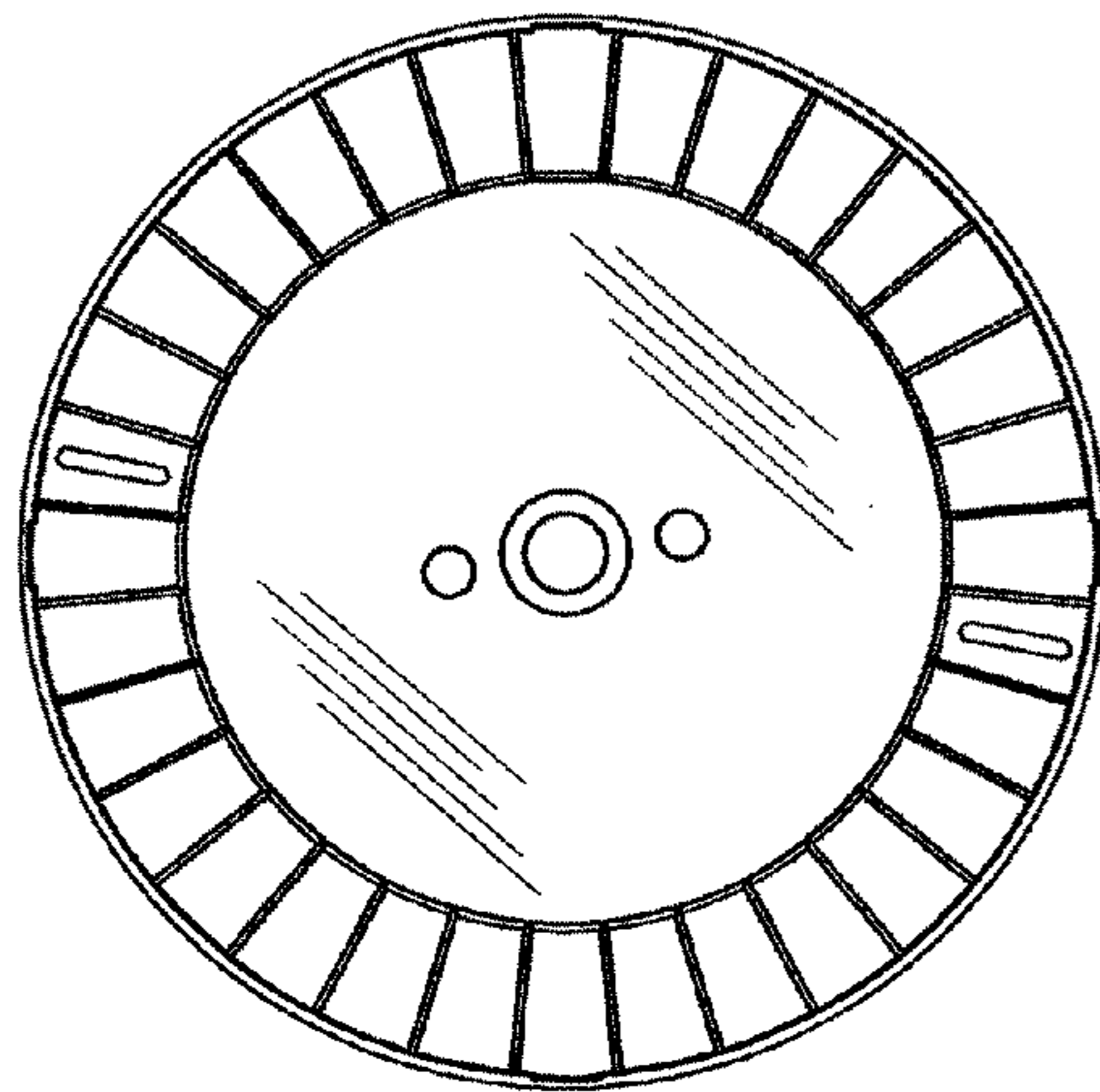


FIG. 2

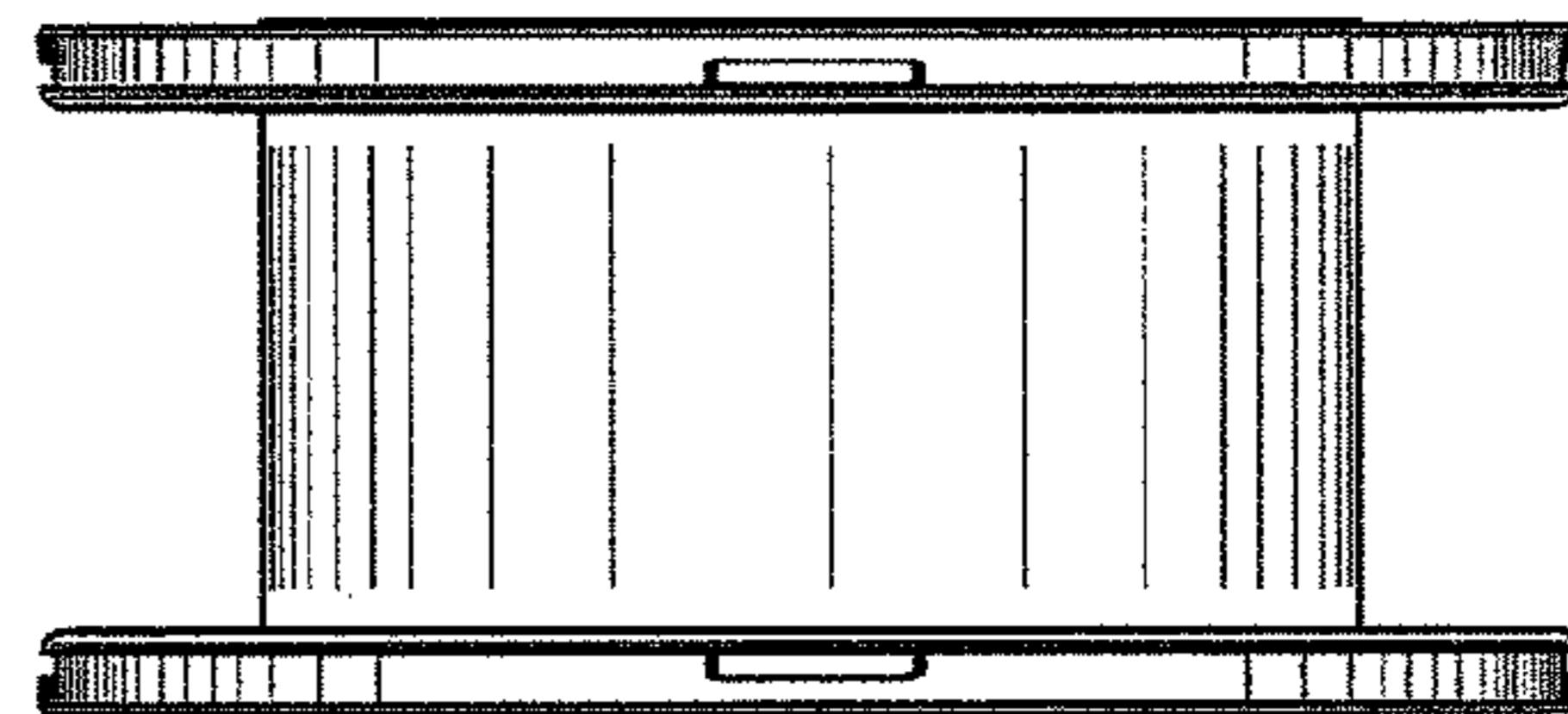


FIG. 5

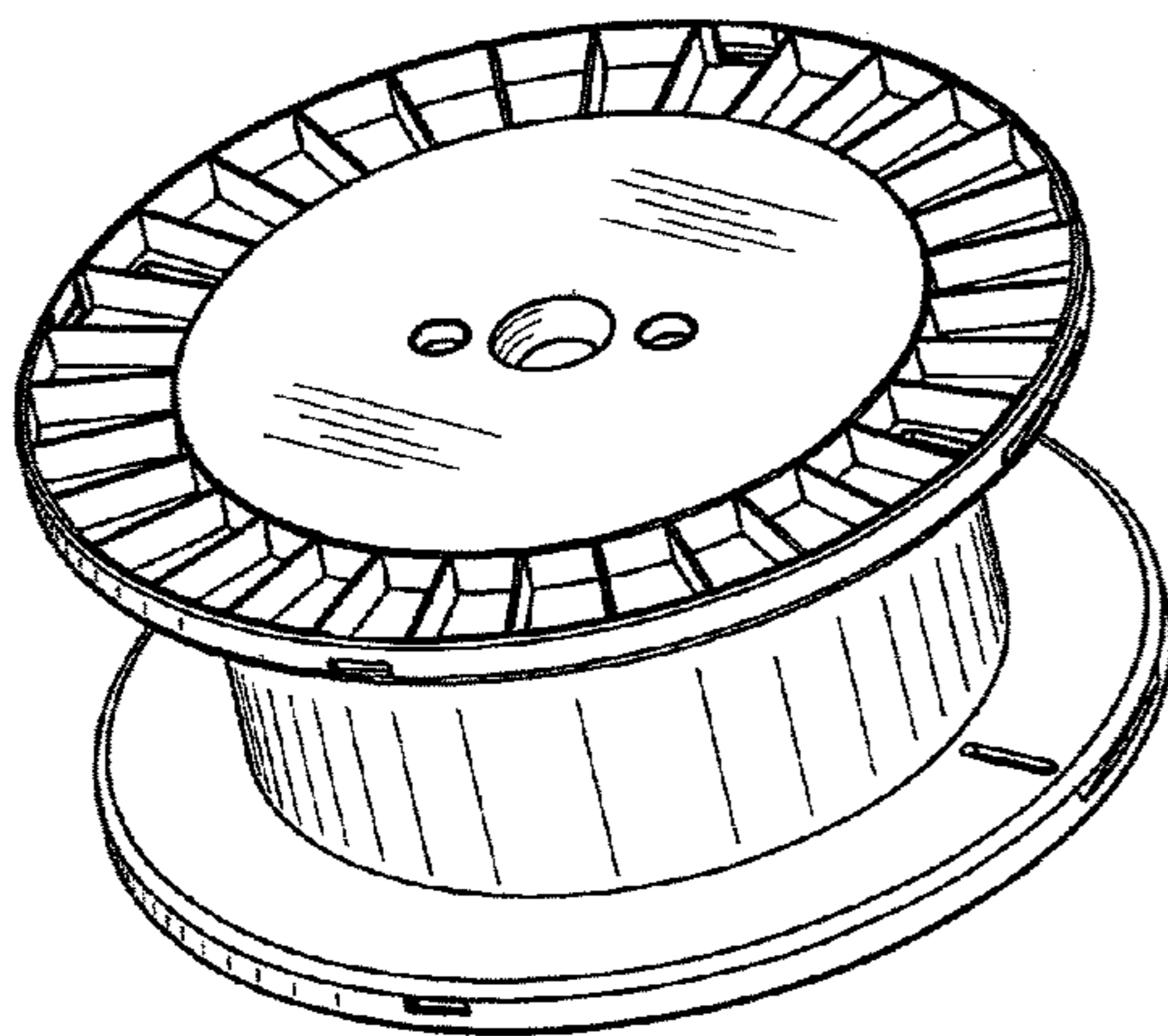


FIG. 1