



US00D655366S

(12) **United States Design Patent**  
**Howard et al.**

(10) **Patent No.:** **US D655,366 S**

(45) **Date of Patent:** **\*\* Mar. 6, 2012**

(54) **FLY REPELLER**

(76) Inventors: **Marleen L. Howard**, St. Louis, MO (US); **Thomas E. Howard**, St. Louis, MO (US)

(\*\*) Term: **14 Years**

(21) Appl. No.: **29/389,101**

(22) Filed: **Apr. 6, 2011**

(51) **LOC (9) Cl.** ..... **22-06**

(52) **U.S. Cl.** ..... **D22/122**

(58) **Field of Classification Search** ..... D22/119-124;  
43/107, 112-113, 121, 124, 131, 132.1  
See application file for complete search history.

(56) **References Cited**

U.S. PATENT DOCUMENTS

4,947,578 A \* 8/1990 Anderson et al. .... 43/131  
D369,395 S \* 4/1996 Dewberry ..... D22/122

D483,834 S \* 12/2003 Shultz ..... D22/122  
D518,138 S \* 3/2006 Burke ..... D22/119  
D642,655 S \* 8/2011 Galili ..... D22/122

\* cited by examiner

*Primary Examiner* — Catheri Oliver

(74) *Attorney, Agent, or Firm* — Kevin L. Klug

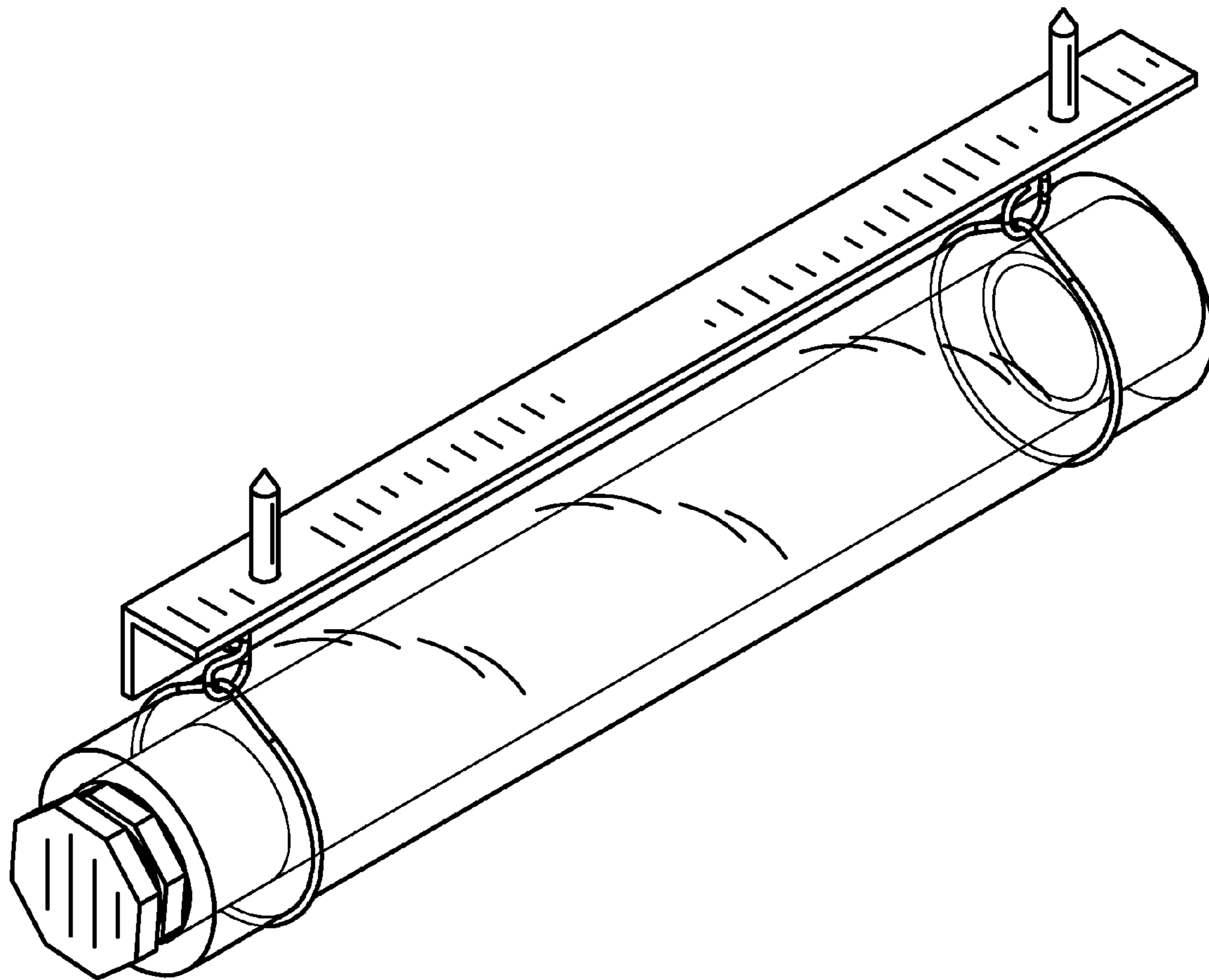
(57) **CLAIM**

The ornamental design for a fly repeller, as shown and described.

**DESCRIPTION**

FIG. 1 is a left front perspective view of a fly repeller;  
FIG. 2 is a right front perspective view of a fly repeller;  
FIG. 3 is a front elevation view thereof;  
FIG. 4 is a rear elevation view thereof;  
FIG. 5 is a left side elevation view thereof;  
FIG. 6 is a right side elevation view thereof;  
FIG. 7 is a top plan view thereof; and,  
FIG. 8 is a bottom plan view thereof.

**1 Claim, 7 Drawing Sheets**



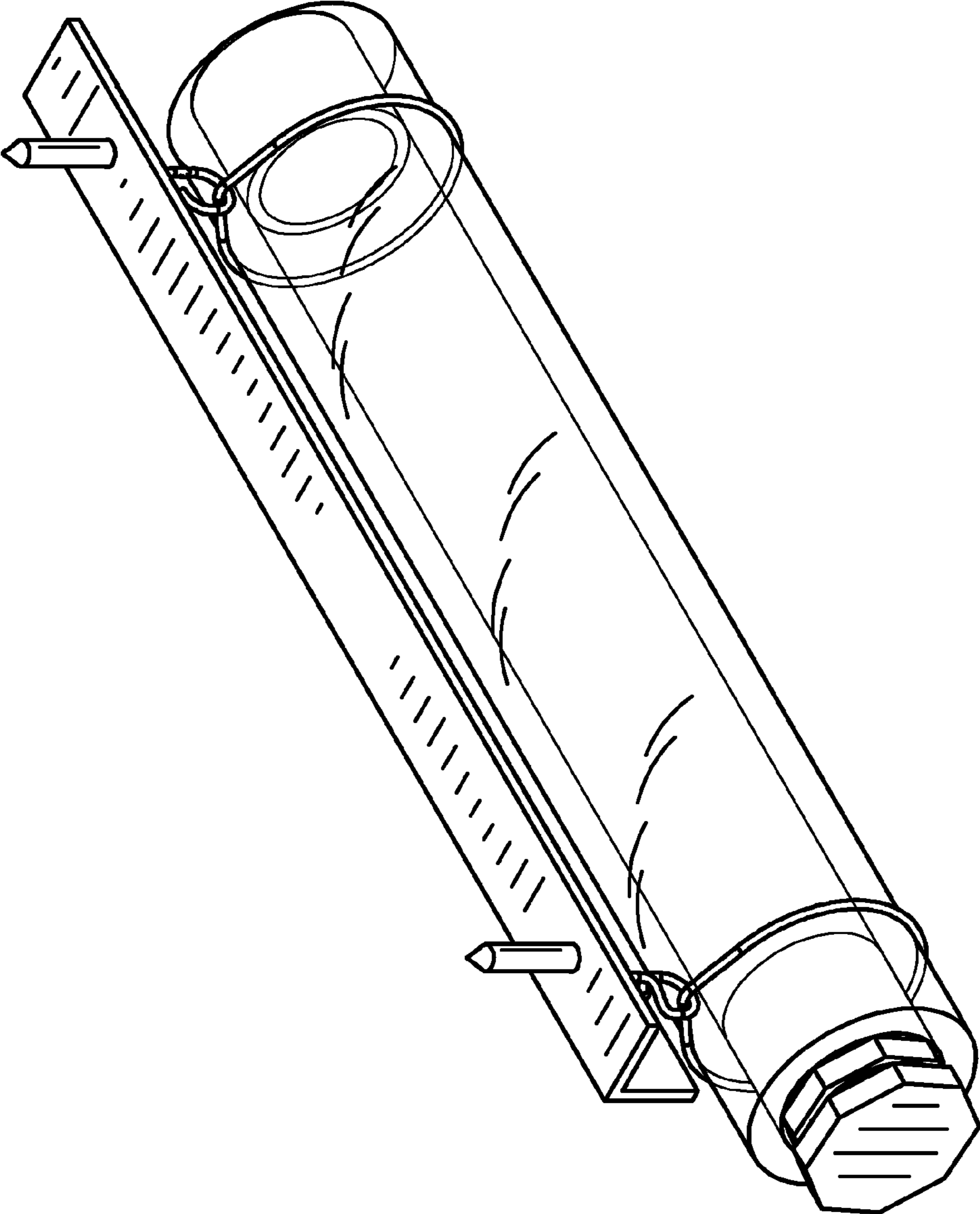


Fig. 1

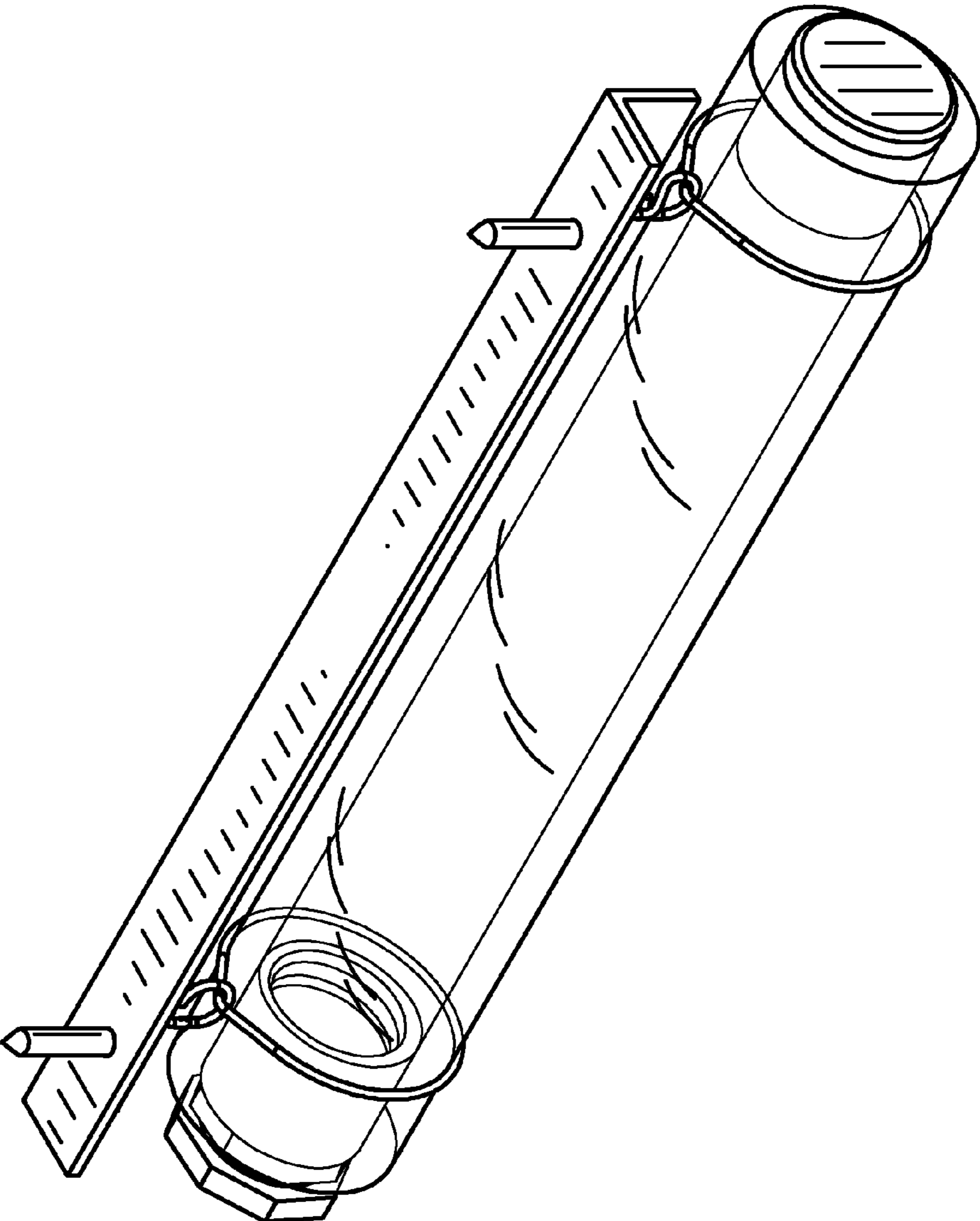


Fig. 2

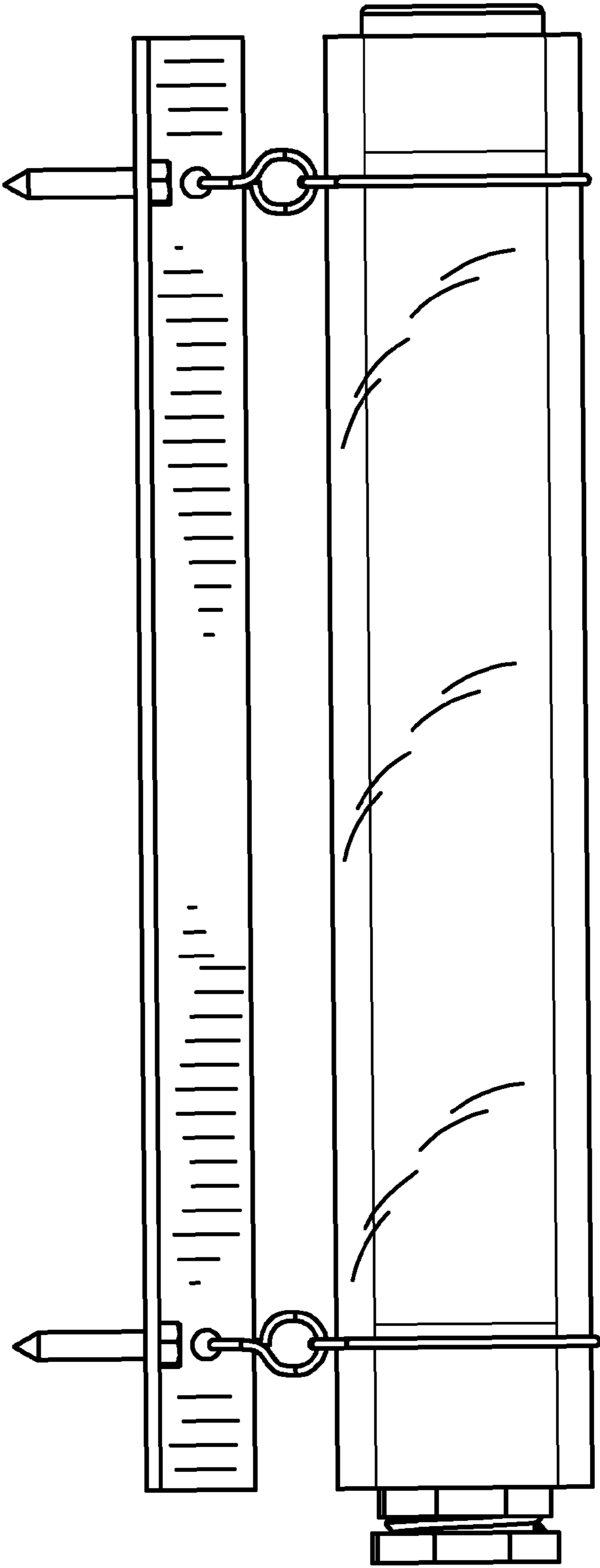


Fig. 3

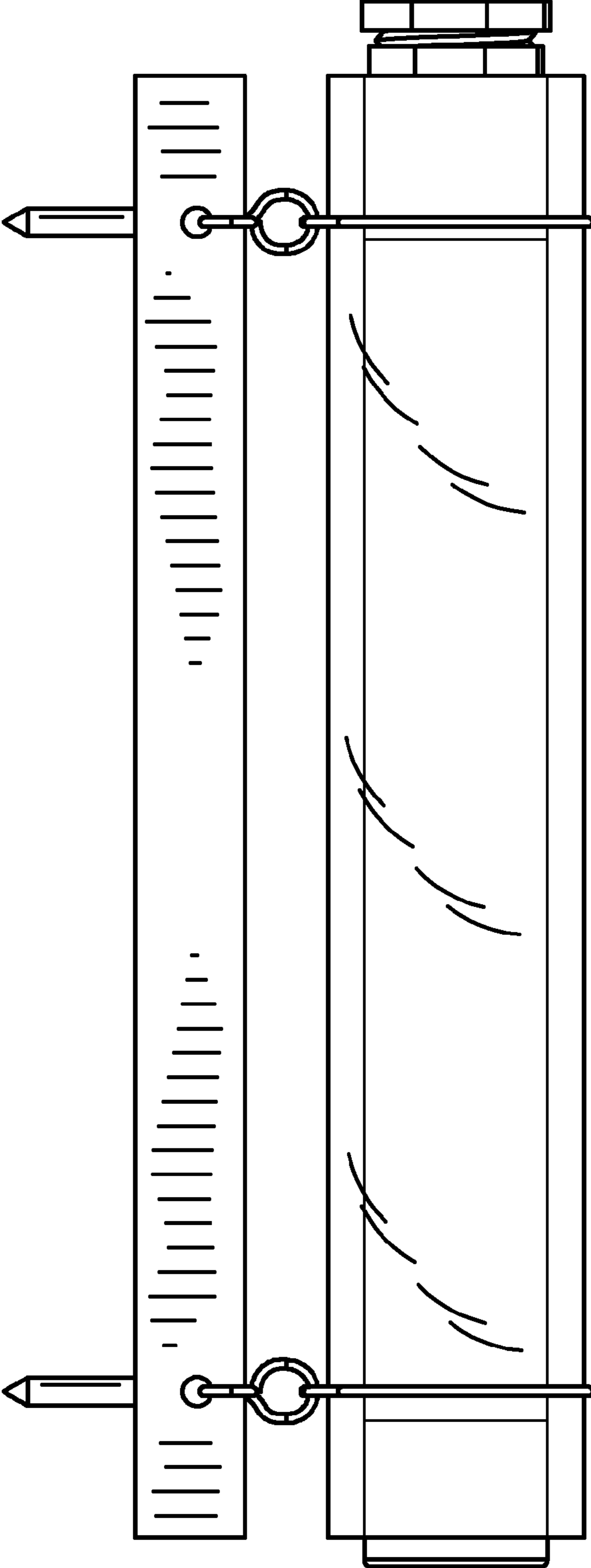


Fig. 4

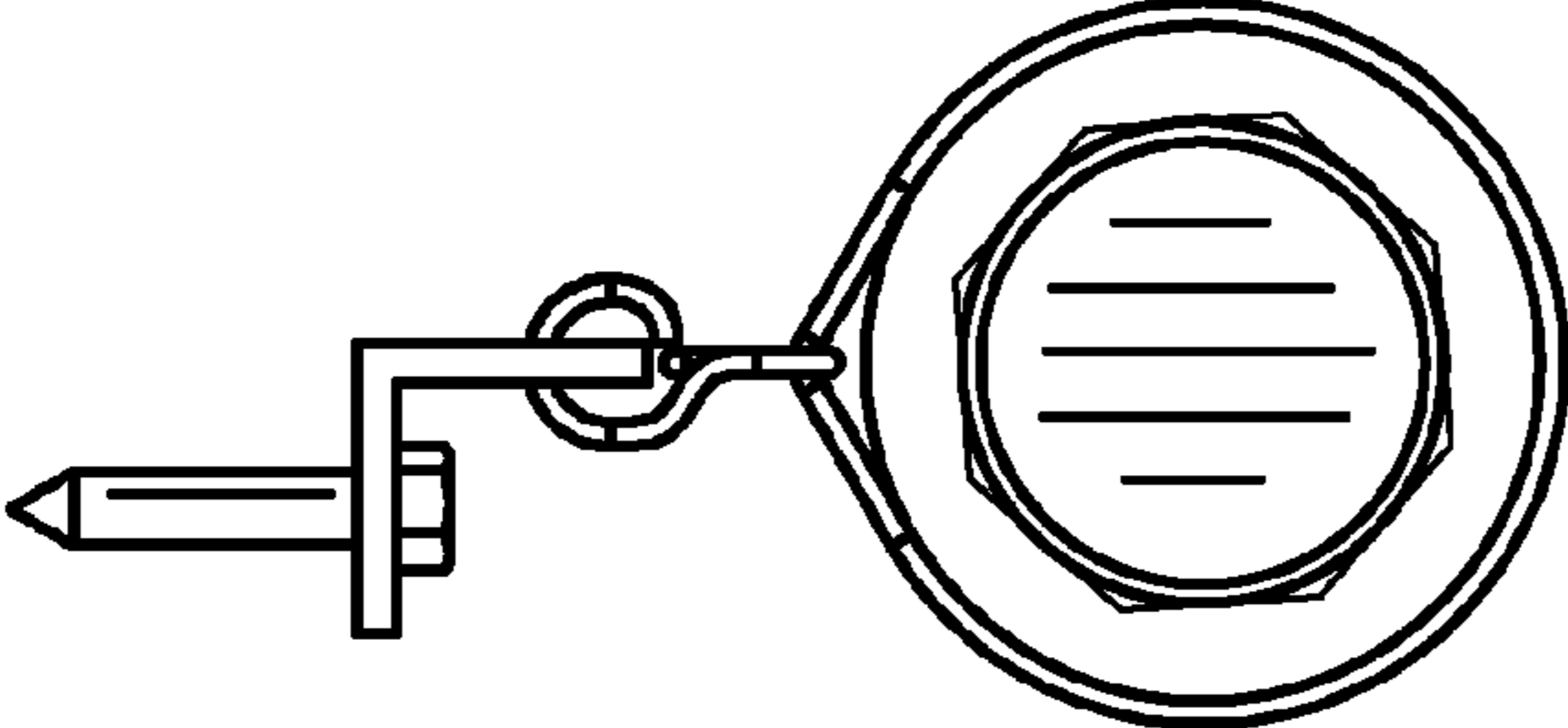


Fig. 6

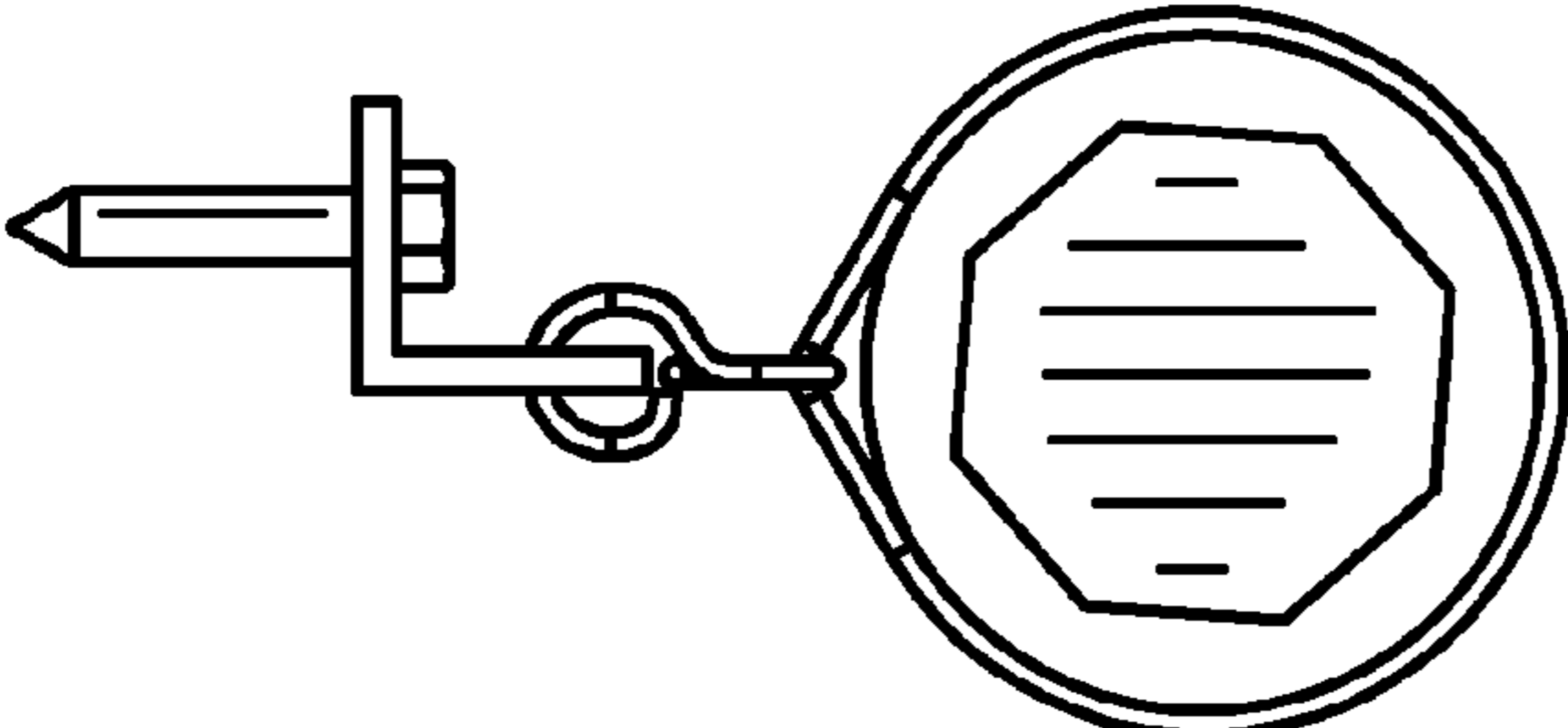


Fig. 5

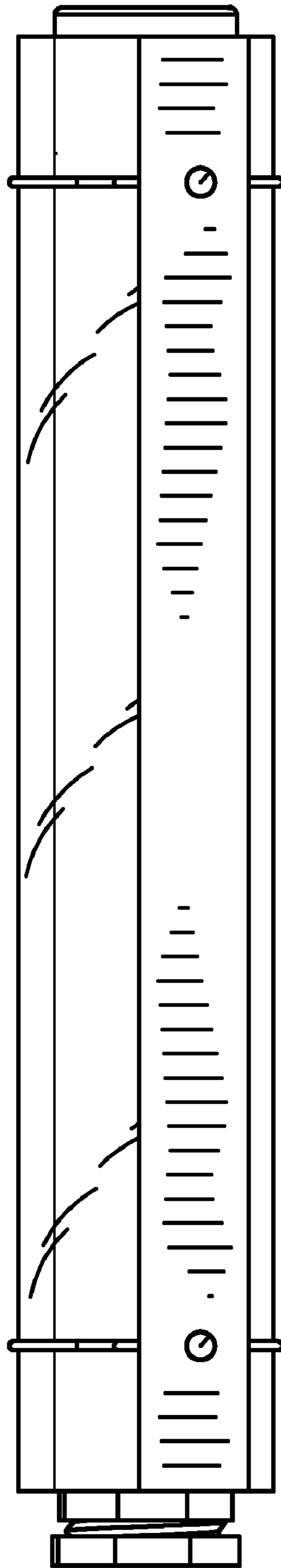


Fig. 7

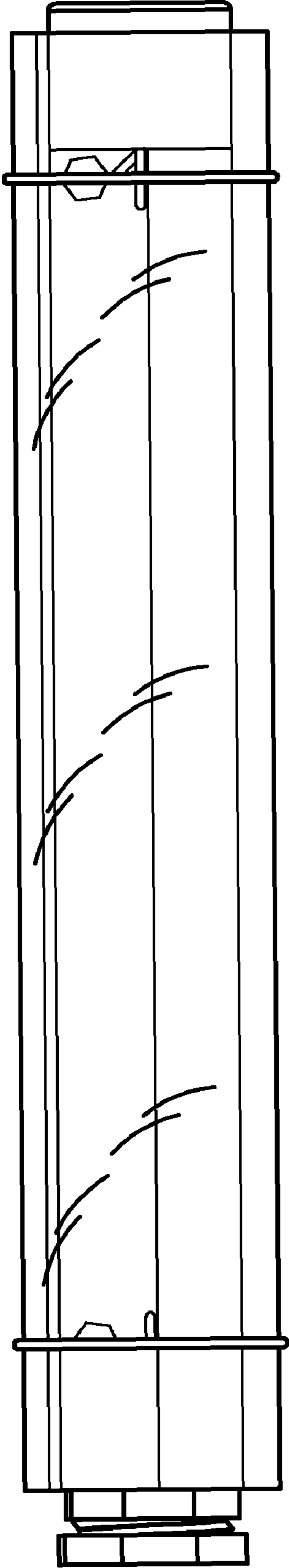


Fig. 8