



US00D655365S

(12) **United States Design Patent**  
**Karfiol et al.**

(10) **Patent No.:** **US D655,365 S**  
(45) **Date of Patent:** **\*\* Mar. 6, 2012**

(54) **GRIPS FOR A PISTOL**

(75) Inventors: **Yury Karfiol**, Brooklyn, NY (US); **John Goliber**, Leonia, NJ (US); **Ryan D. Busse**, Kalispell, MT (US); **Leslie P. Edelman**, Englewood, NJ (US); **Ralph Karanian**, Wethersfield, CT (US); **Winslow Potter**, Katonah, NY (US)

(73) Assignee: **Kimber IP, LLC**, Yonkers, NY (US)

(\*\*) Term: **14 Years**

(21) Appl. No.: **29/392,156**

(22) Filed: **May 18, 2011**

**Related U.S. Application Data**

(63) Continuation-in-part of application No. 12/980,521, filed on Dec. 29, 2010.

(51) **LOC (9) Cl.** ..... **22-01**

(52) **U.S. Cl.** ..... **D22/104**

(58) **Field of Classification Search** ..... D22/100, D22/104, 108, 199; D21/145, 146, 147, D21/567, 572, 573-575; 42/40, 41, 42.01, 42/42.02, 42.03, 43, 44, 45, 57, 69.01, 71.02, 42/72, 100; 124/31, 37; 362/110, 113

See application file for complete search history.

(56) **References Cited**

**U.S. PATENT DOCUMENTS**

D163,654 S \* 6/1951 Vahala ..... D22/104  
D199,064 S \* 9/1964 Barney ..... D22/104  
D302,289 S \* 7/1989 Lambert ..... D22/108

7,287,455 B2 \* 10/2007 Key-Carniak et al. .... 89/36.01  
D584,374 S \* 1/2009 McGarry ..... D22/104  
7,810,268 B1 \* 10/2010 McGarry ..... 42/69.01  
2005/0268512 A1 \* 12/2005 Salvitti ..... 42/70.08

**OTHER PUBLICATIONS**

Kimber Mfg., Inc., "http://www.kimberamerica.com/uploads/catalog-download/Kimber%202009%20Product%20Catalog.pdf", 2009.

\* cited by examiner

*Primary Examiner* — Michael Pratt

(74) *Attorney, Agent, or Firm* — Caesar, Rivise, Bernstein, Cohen & Pokotilow, Ltd.

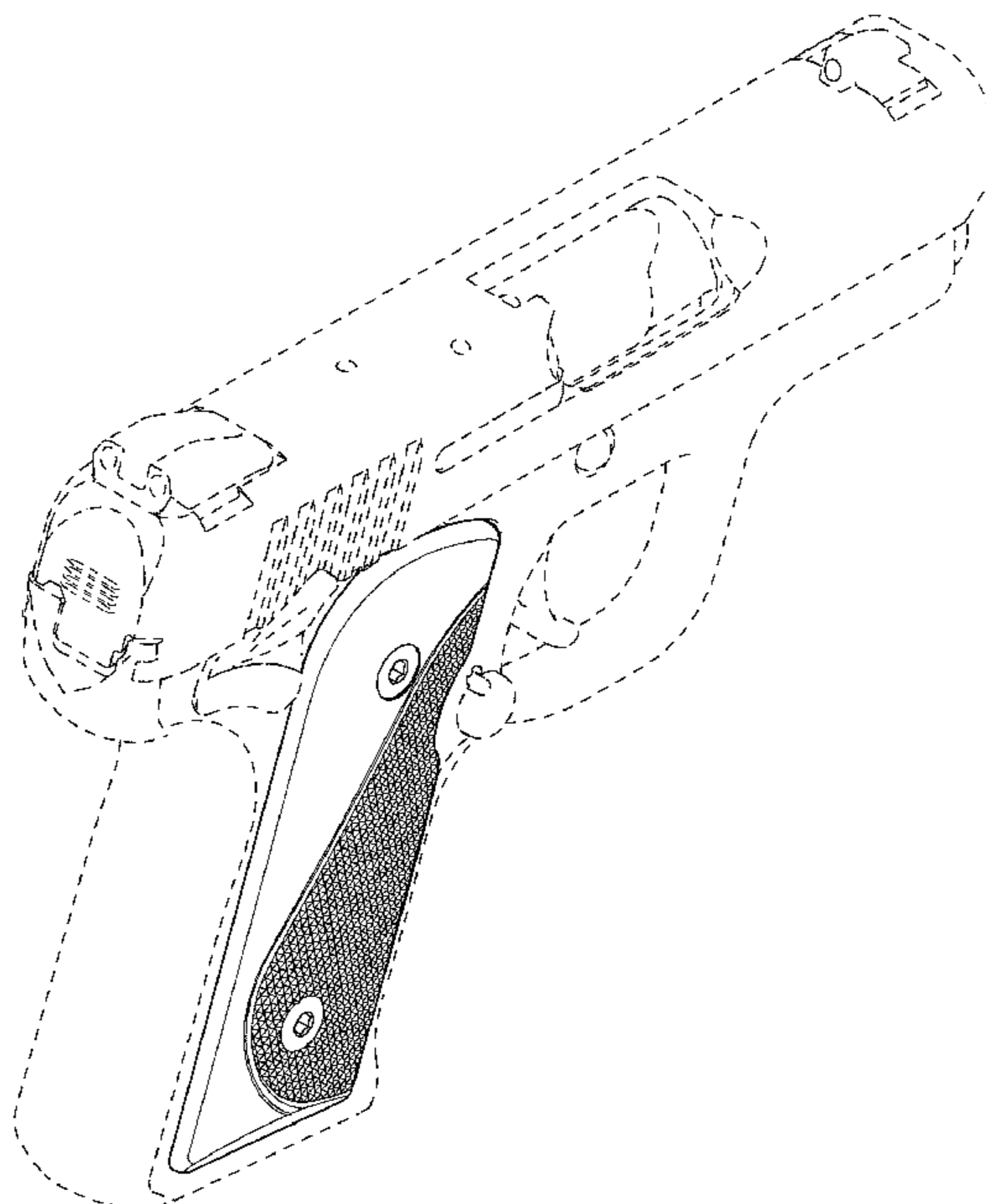
(57) **CLAIM**

The ornamental design for grips for a pistol, as shown and described.

**DESCRIPTION**

FIG. 1 is a rear isometric view of a grips for a pistol in accordance with a preferred embodiment of my design; FIG. 2 is a front isometric view of the grips for a pistol of FIG. 1; FIG. 3 is a front elevation view of the grips for a pistol of FIG. 1; FIG. 4 is a rear elevation view of the grips for a pistol of FIG. 1; FIG. 5 is a left side view of the grips for a pistol of FIG. 1; FIG. 6 is a right side view of the grips for a pistol of FIG. 1; FIG. 7 is a top view of the grips for a pistol of FIG. 1; and, FIG. 8 is a bottom view of the grips for a pistol of FIG. 1. The dashed lines shown in the figures represent environmental subject matter and form no part of the claimed design.

**1 Claim, 6 Drawing Sheets**



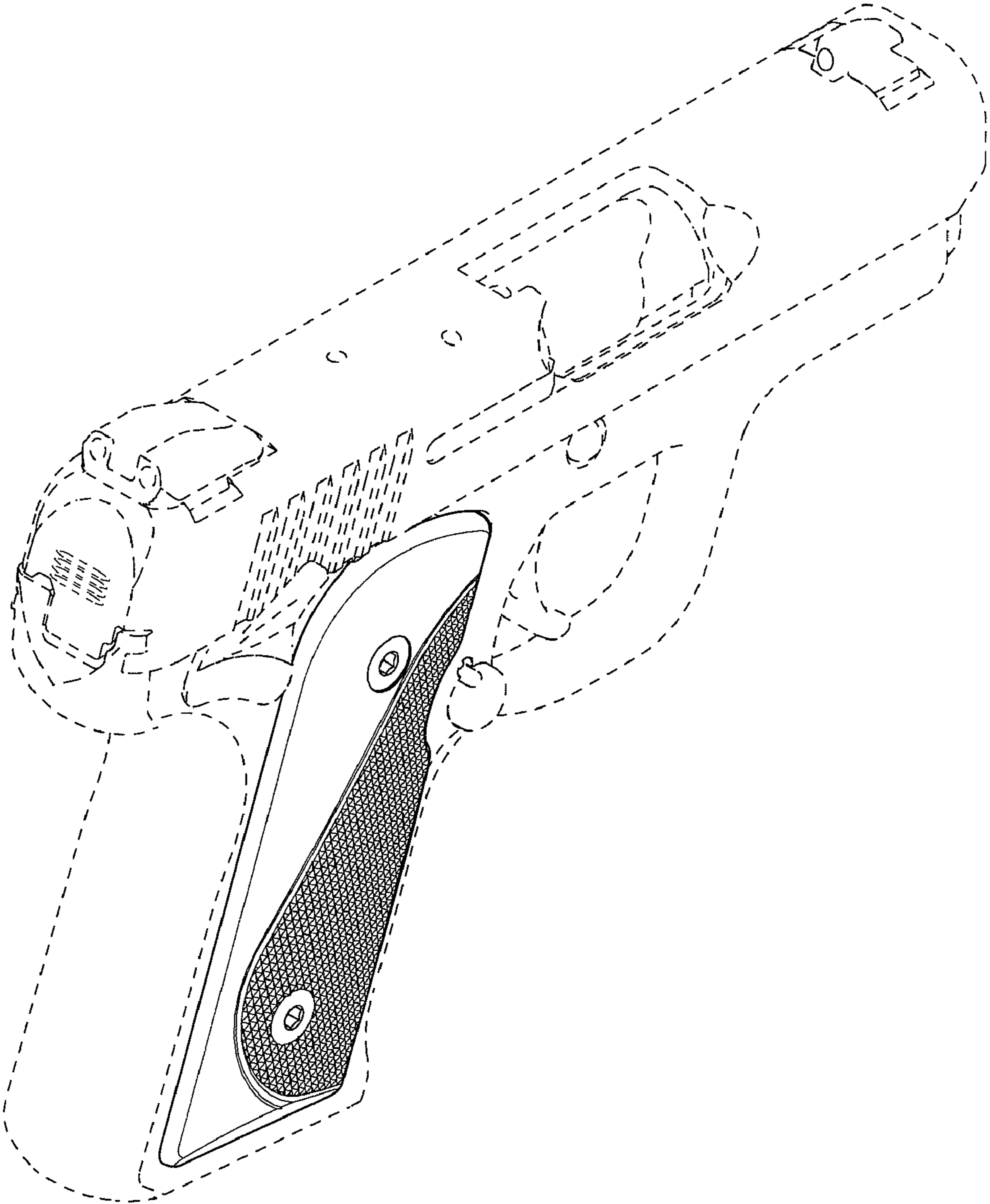


FIG. 1

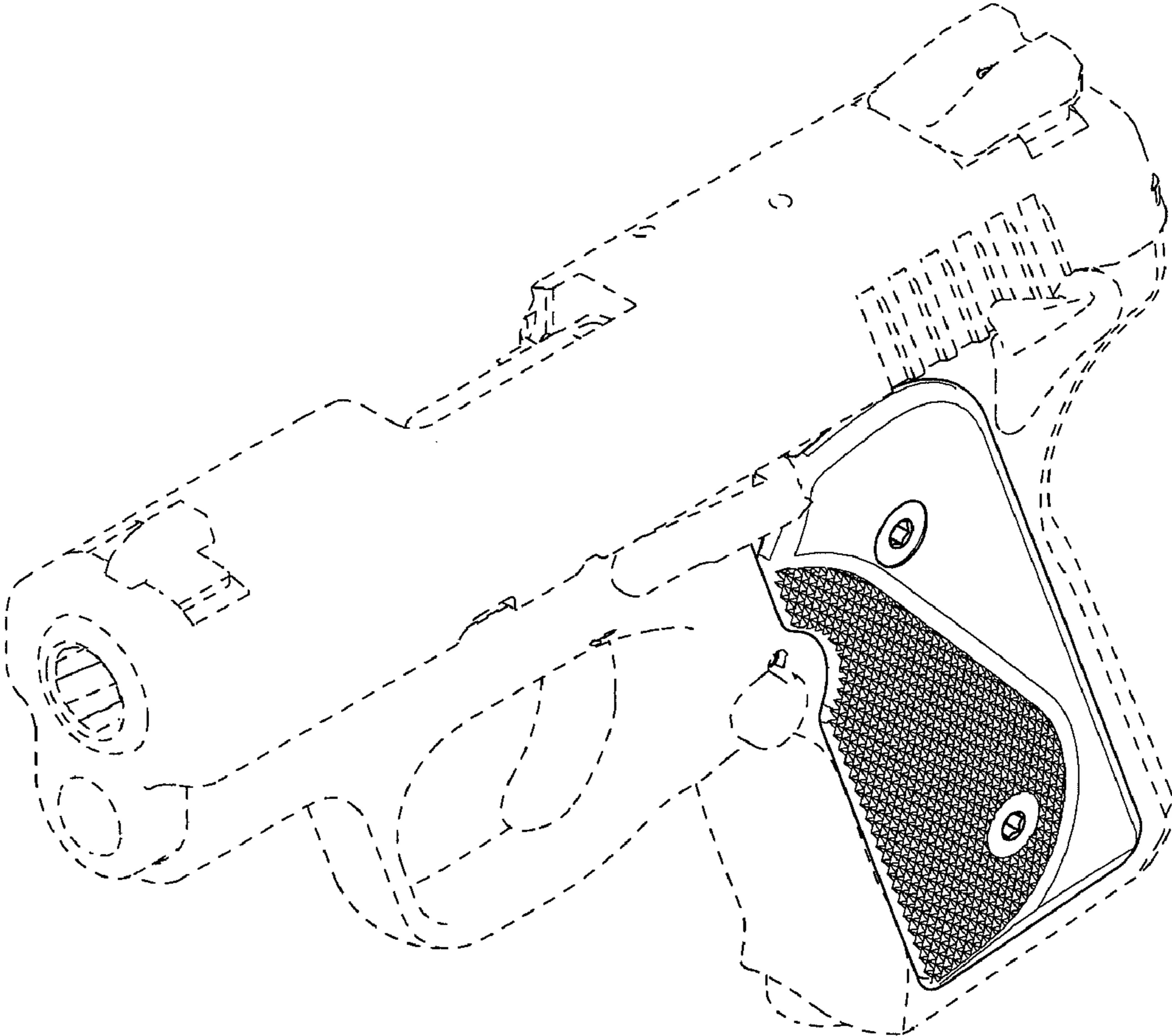


FIG. 2

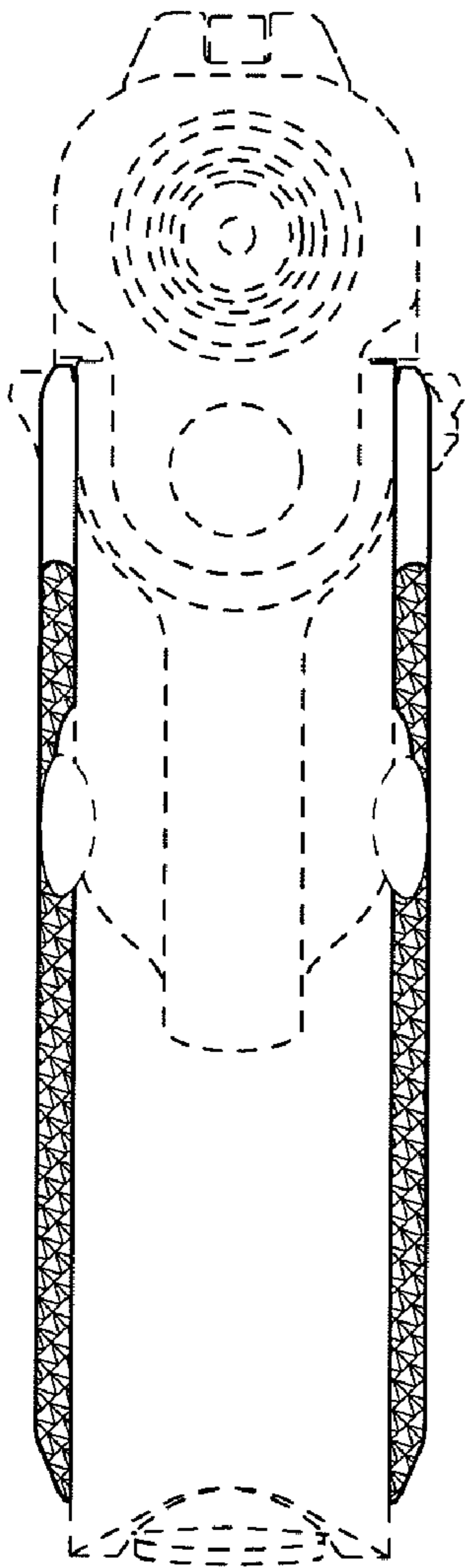


FIG. 3

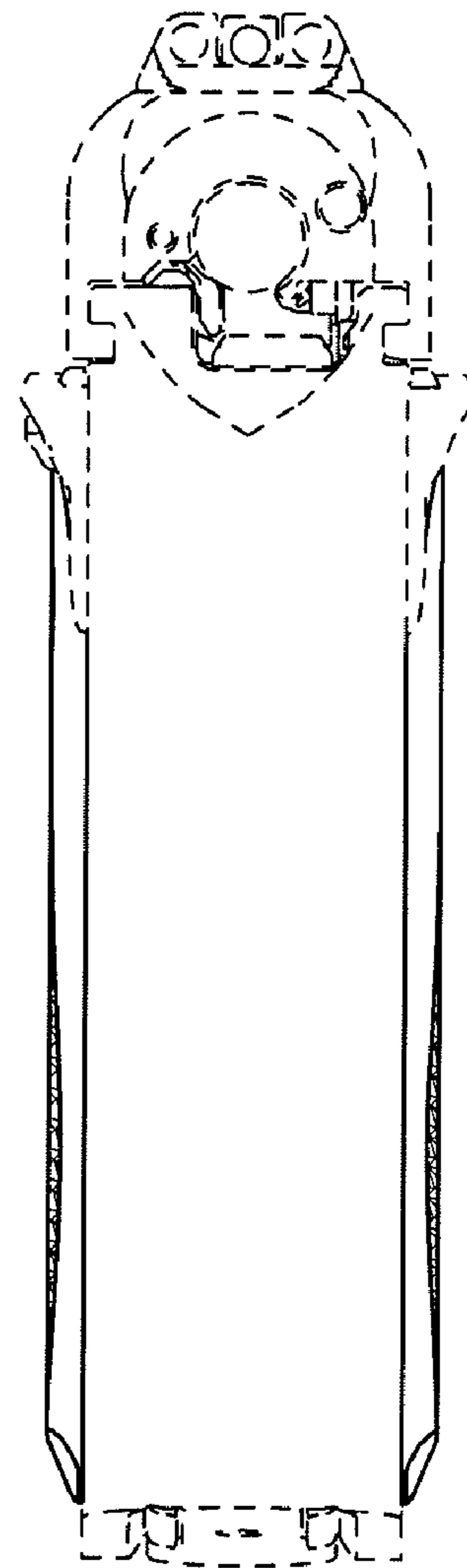


FIG. 4

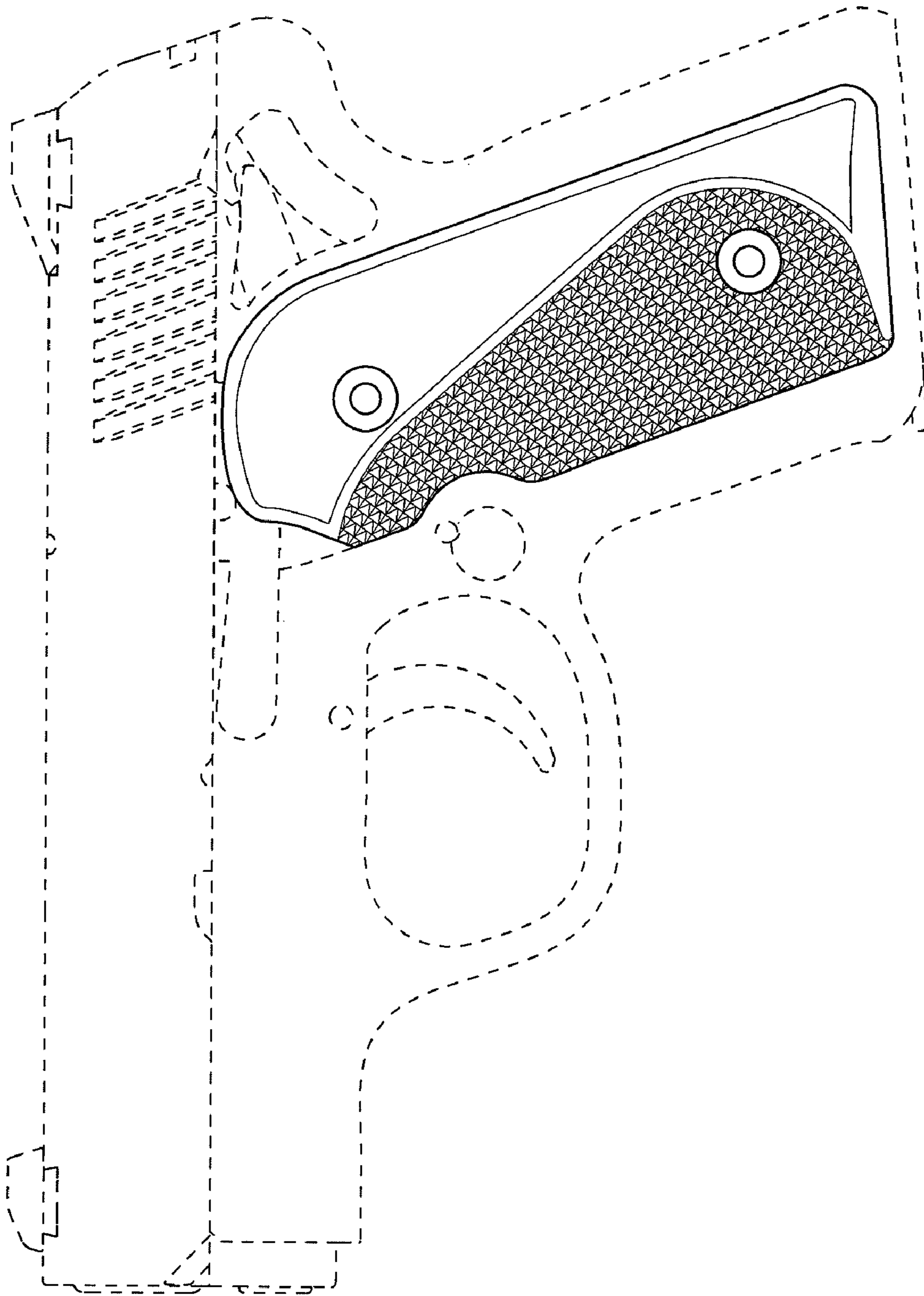


FIG. 5

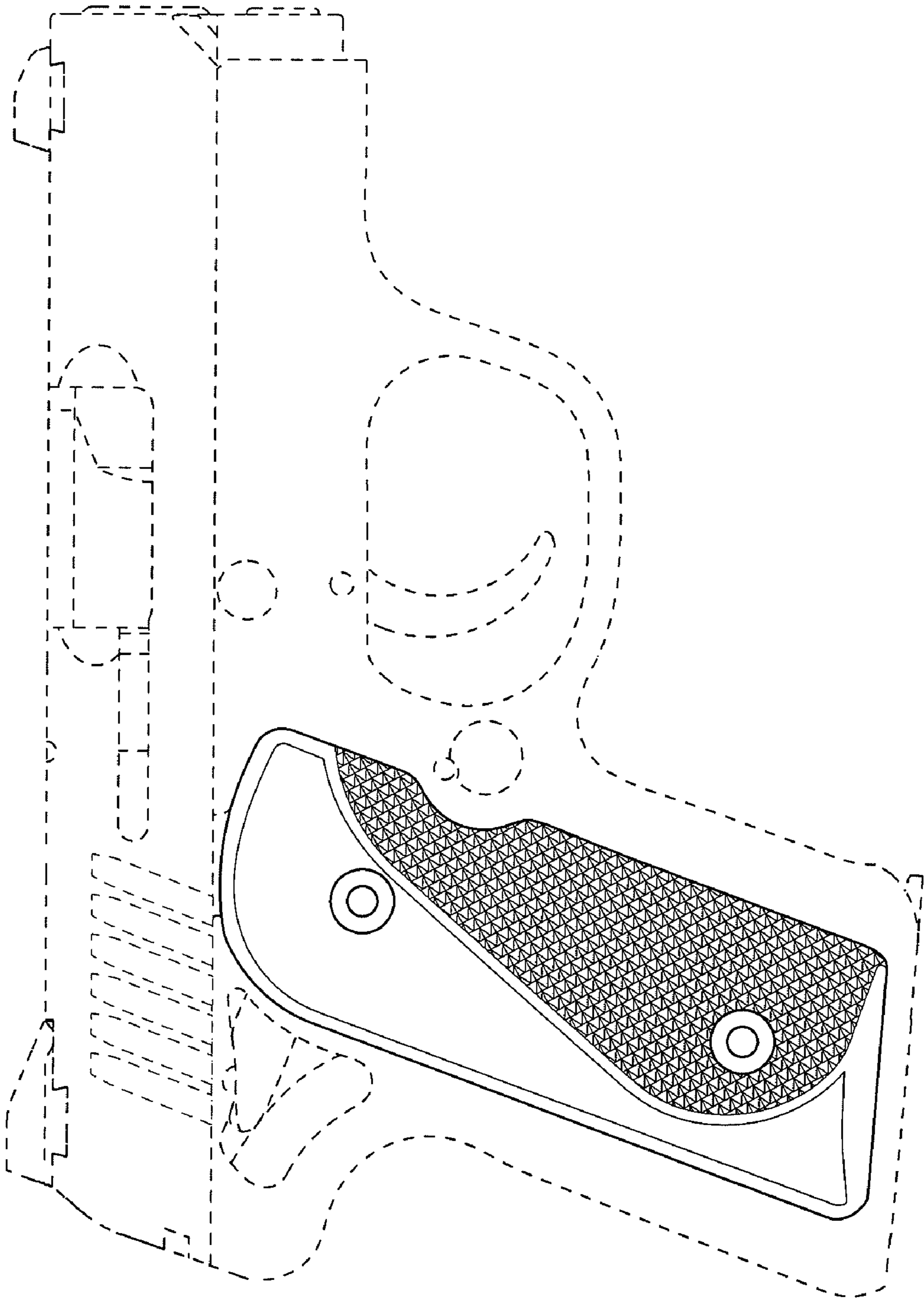


FIG. 6

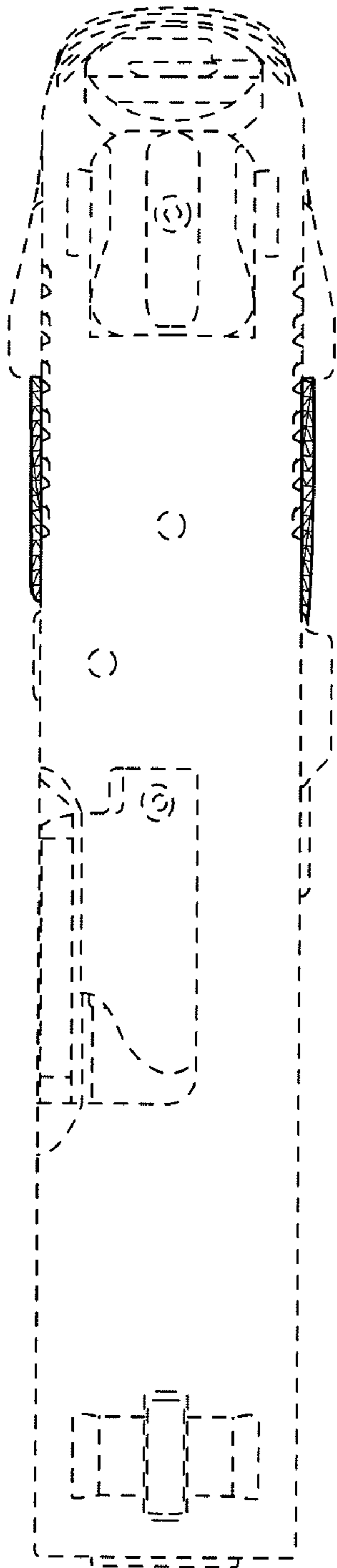


FIG. 7

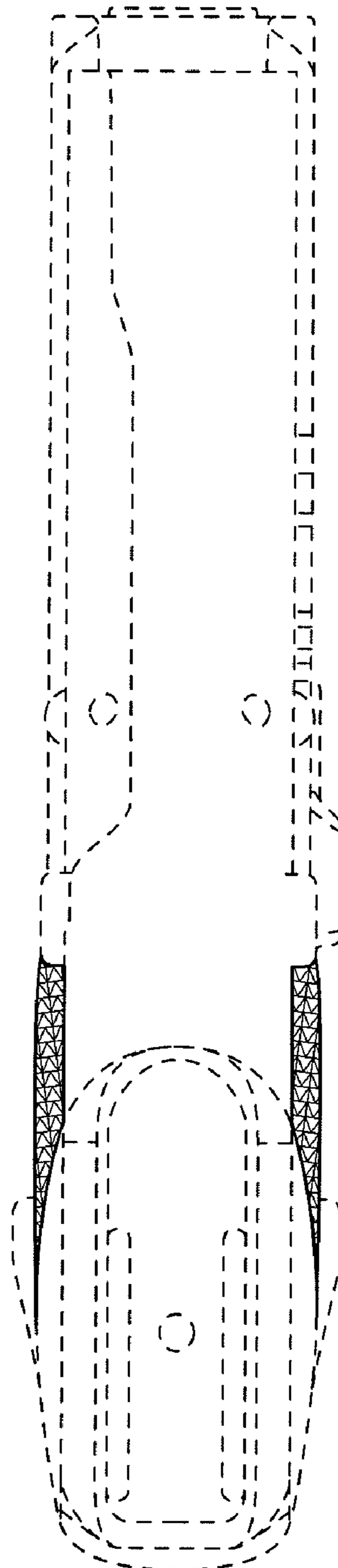


FIG. 8