



US00D655361S

(12) **United States Design Patent**
Ramsauer

(10) **Patent No.:** **US D655,361 S**

(45) **Date of Patent:** **** Mar. 6, 2012**

(54) **GOLF PUTTER**

(76) Inventor: **Dieter Ramsauer**, Schwelm (DE)

(**) Term: **14 Years**

(21) Appl. No.: **29/383,751**

(22) Filed: **Jan. 21, 2011**

(51) **LOC (9) Cl.** **21-02**

(52) **U.S. Cl.** **D21/743**

(58) **Field of Classification Search** D21/736-746,
D21/759; 473/324-331, 340-341, 251-256
See application file for complete search history.

(56) **References Cited**

U.S. PATENT DOCUMENTS

D202,715 S *	11/1965	Solheim	D21/743
D246,329 S *	11/1977	Little	D21/739
D296,120 S *	6/1988	Brace	D21/739
D310,115 S *	8/1990	Iinuma	D21/739
D313,449 S *	1/1991	Shearer	D21/743
D314,031 S *	1/1991	Iinuma	D21/739
D322,829 S *	12/1991	Antonious	D21/742
D441,041 S *	4/2001	Opie	D21/743
6,379,259 B1 *	4/2002	Opie	473/251
D633,964 S *	3/2011	Teramoto	D21/743

D638,892 S * 5/2011 Hettinger et al. D21/743
* cited by examiner

Primary Examiner — Mitchell Siegel

(74) *Attorney, Agent, or Firm* — Frommer Lawrence & Haug LLP

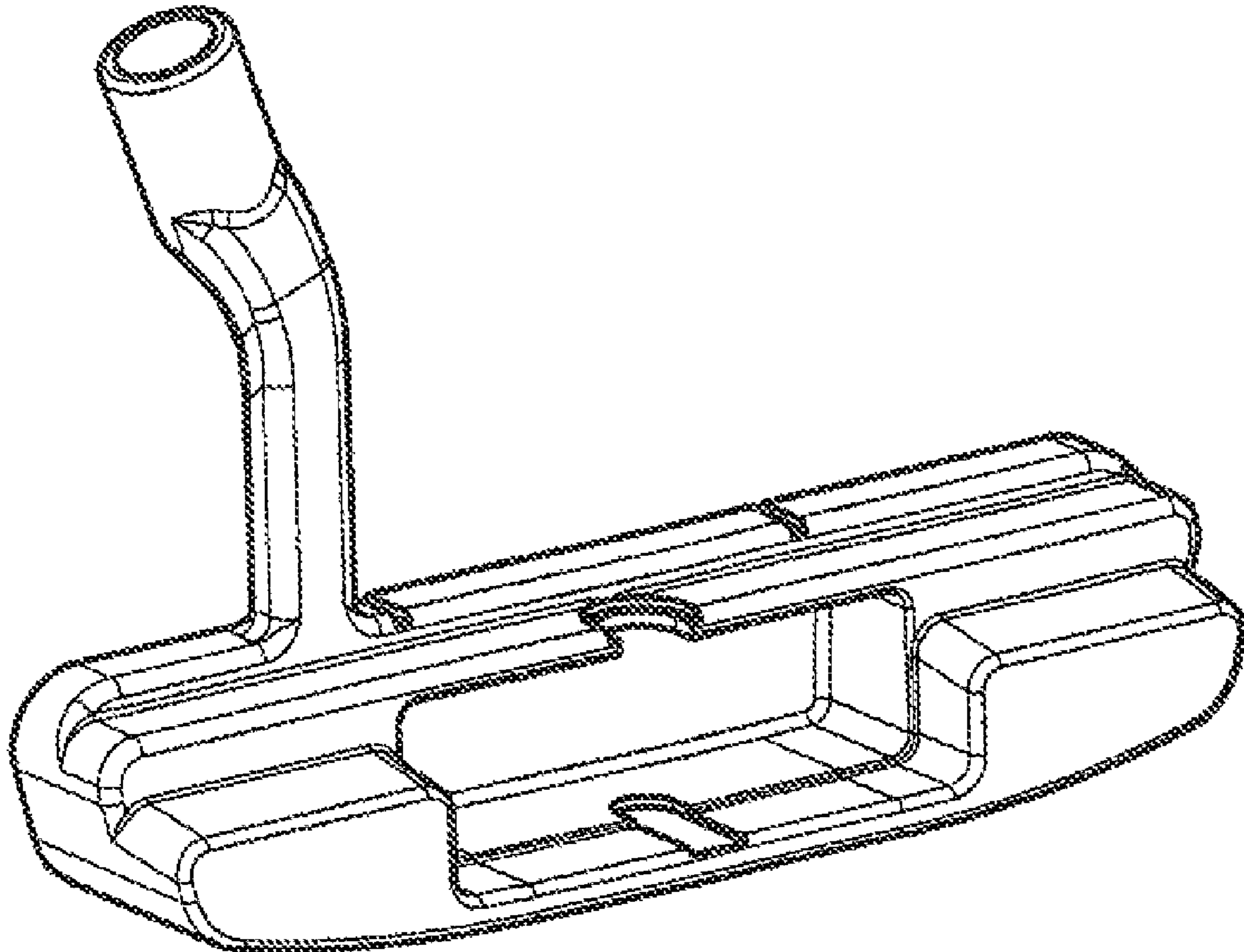
(57) **CLAIM**

The ornamental design for a golf putter, as shown and described.

DESCRIPTION

FIG. 1 is a perspective view from the rear of the golf putter in accordance with a first embodiment of the invention.
FIG. 2 is a perspective view from the front of the golf putter in accordance with a first embodiment of the invention.
FIG. 3 is a bottom view of the golf putter in accordance with the first embodiment of the invention.
FIG. 4 is a side view of the golf putter in accordance with the first embodiment of the invention.
FIG. 5 is a rear view of the golf putter in accordance with the first embodiment of the invention; and,
FIG. 6 is a top view of the golf putter in accordance with the first embodiment of the invention.

1 Claim, 2 Drawing Sheets



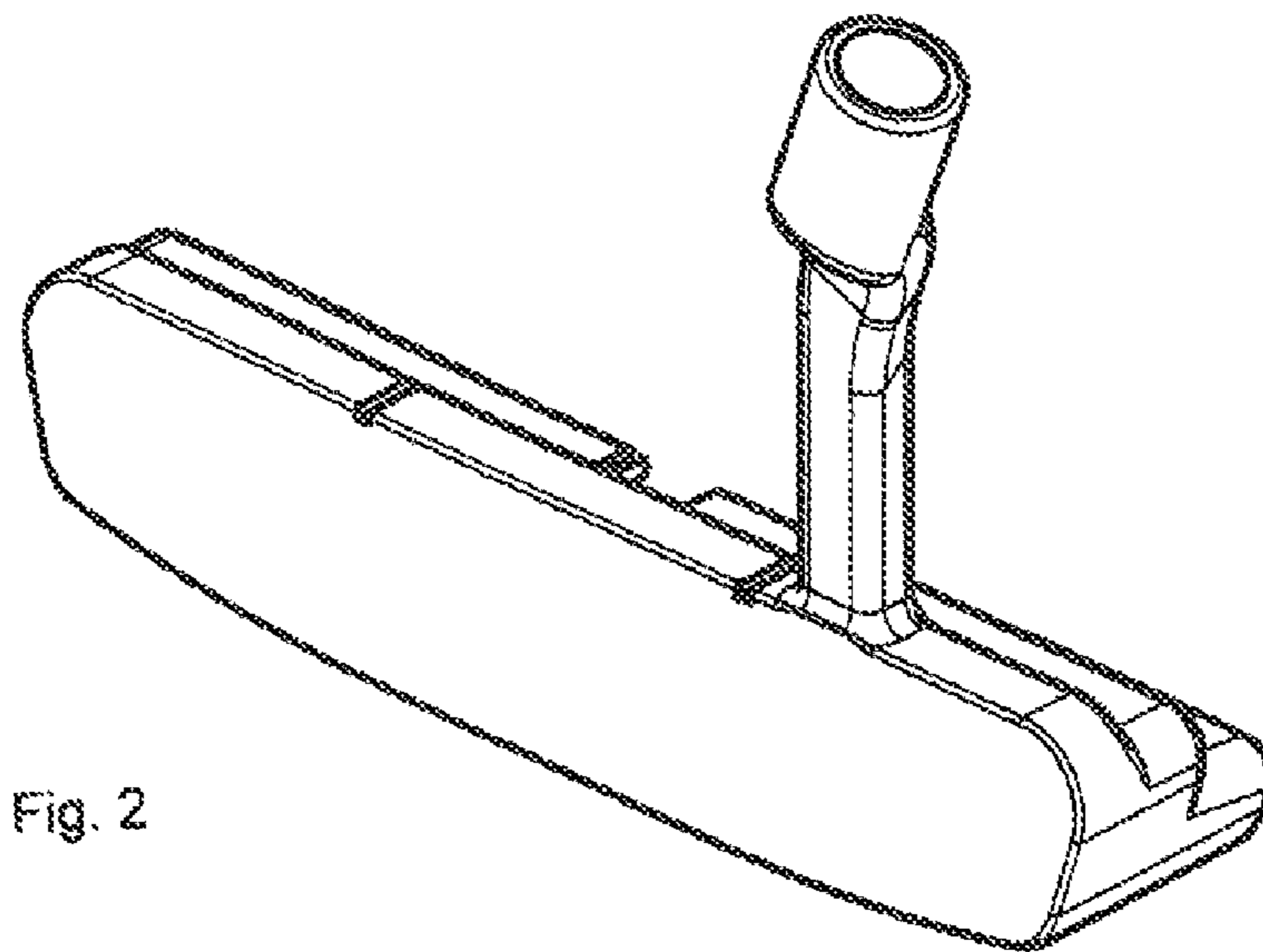
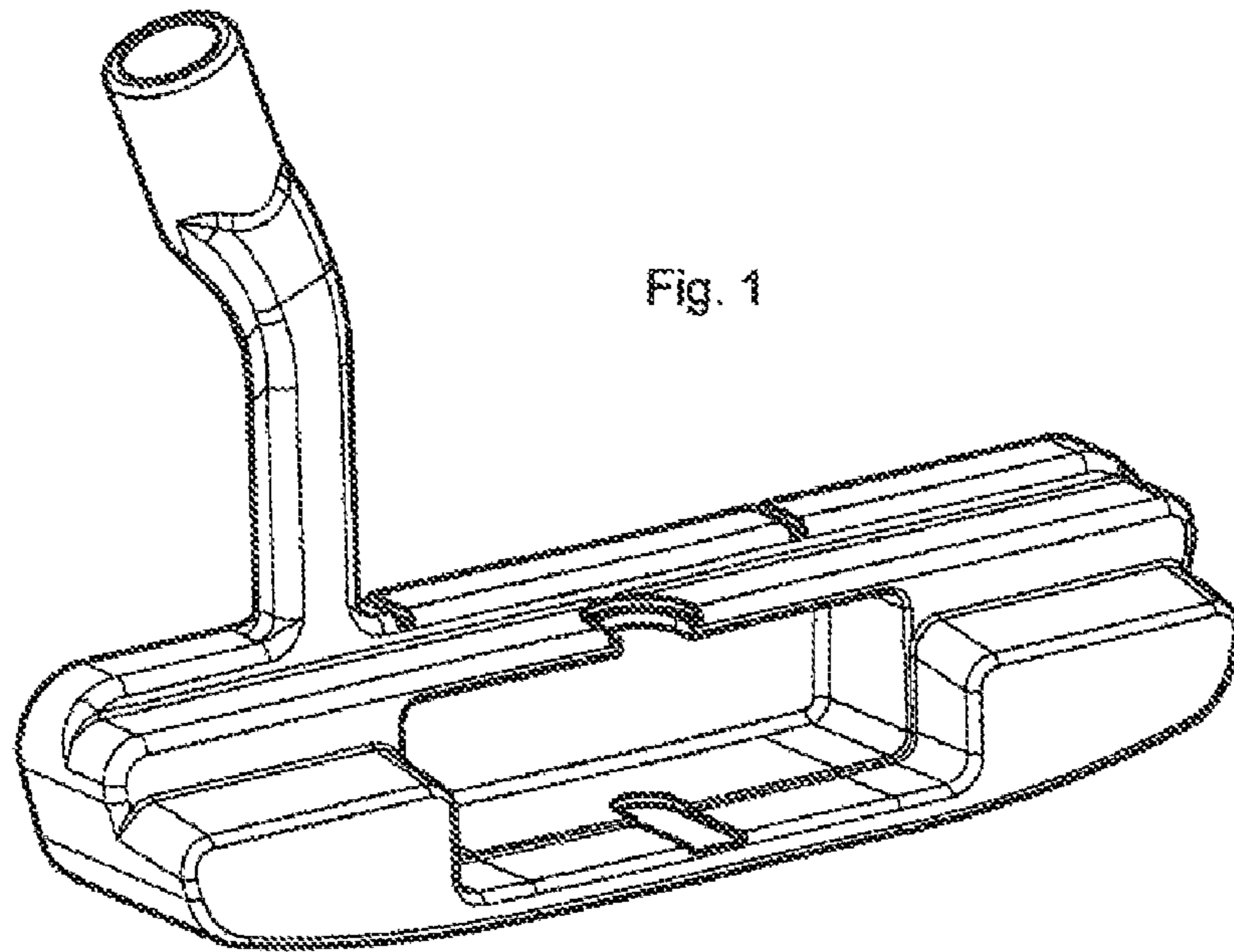


Fig. 3

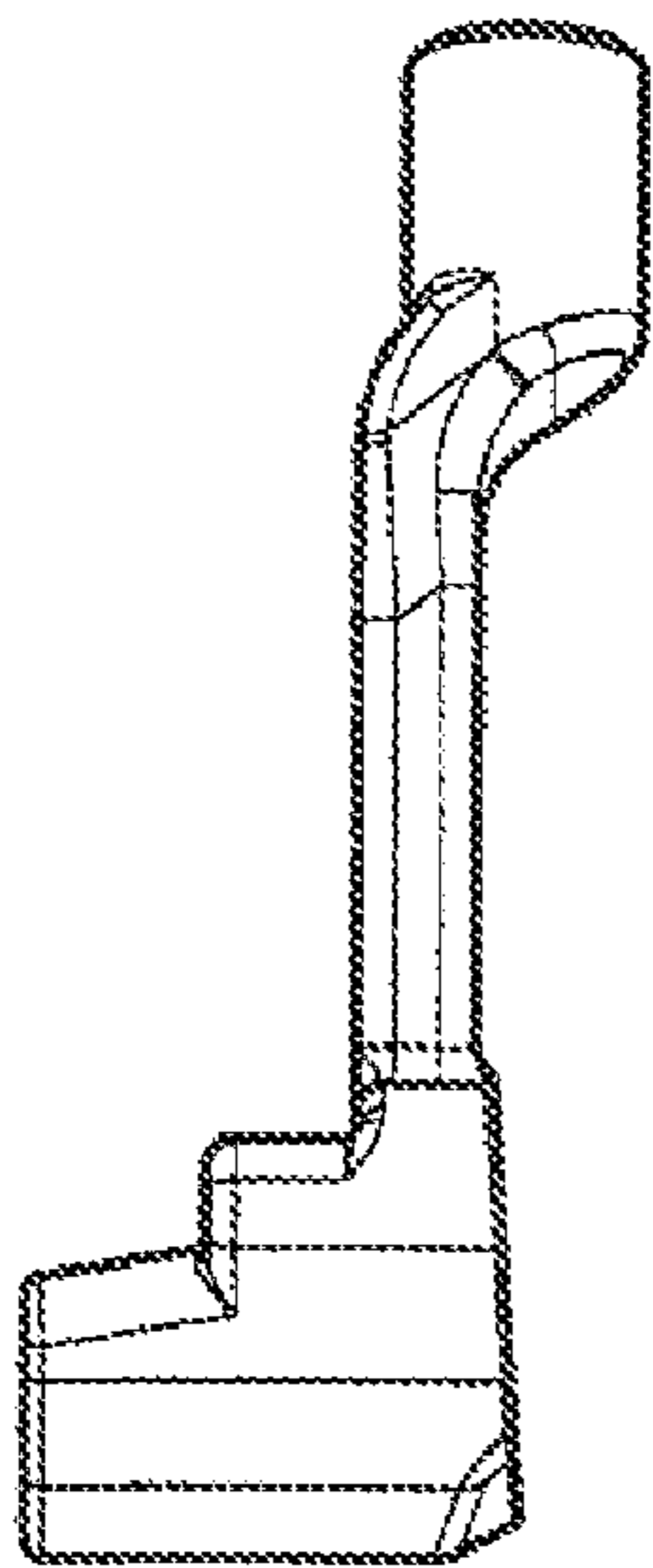
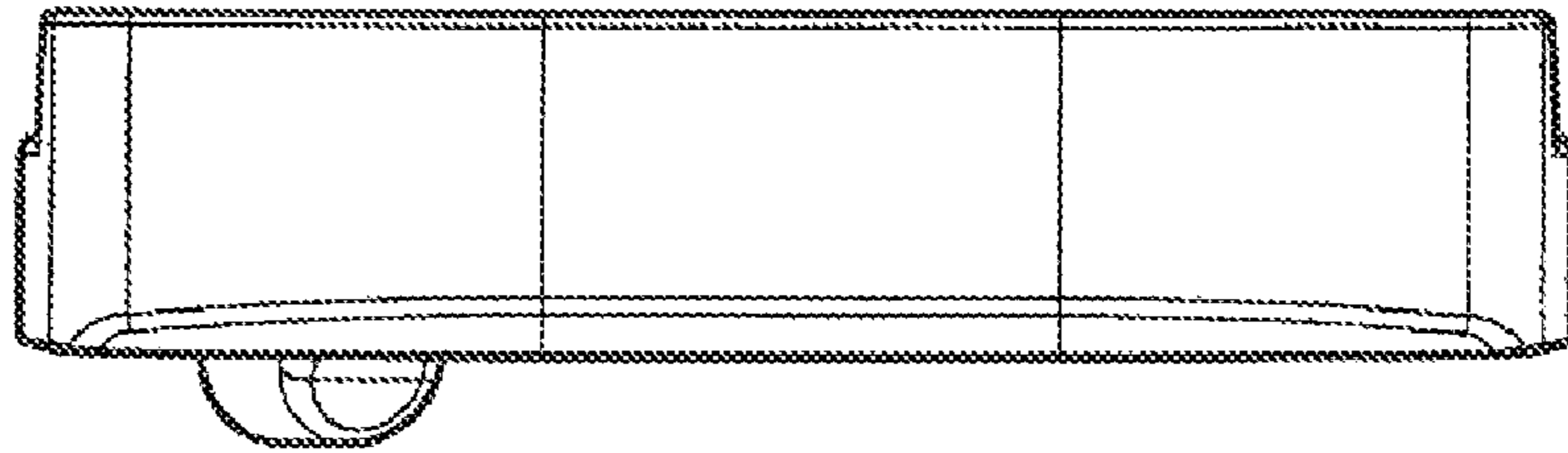


Fig. 4

Fig. 5

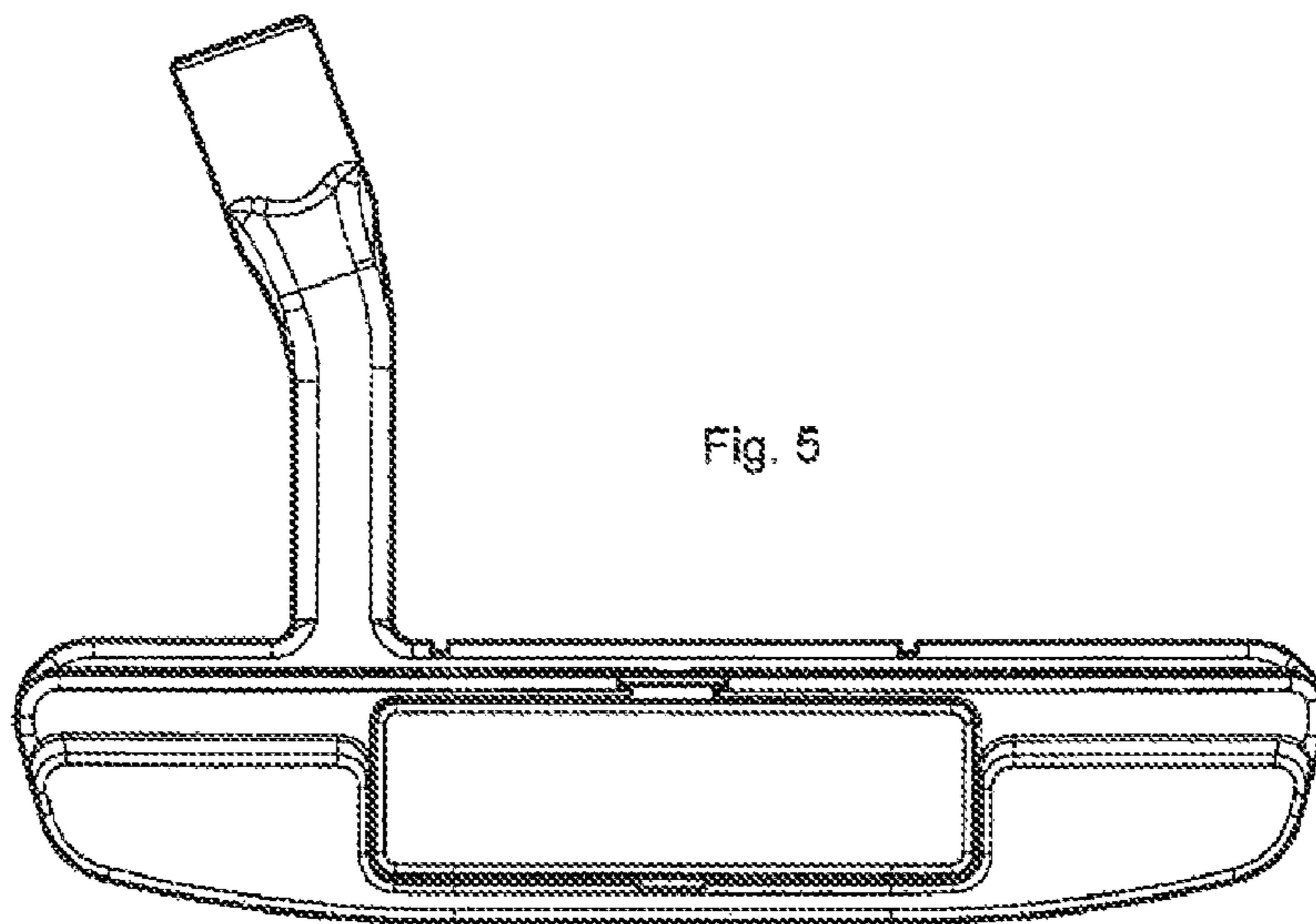


Fig. 6

