



US00D655360S

(12) **United States Design Patent**
Johnson

(10) **Patent No.:** **US D655,360 S**
(45) **Date of Patent:** **** Mar. 6, 2012**

(54) **BILLIARD CUE SHAFT**

(74) *Attorney, Agent, or Firm* — Brian D. Bellamy

(76) Inventor: **Samuel LaVoy Johnson**, Moultrie, GA
(US)

(57) **CLAIM**
The ornamental design for billiard cue shaft, as shown and described.

(**) Term: **14 Years**

(21) Appl. No.: **29/386,983**

DESCRIPTION

(22) Filed: **Mar. 8, 2011**

(51) **LOC (9) Cl.** **21-03**

(52) **U.S. Cl.** **D21/726**

(58) **Field of Classification Search** D21/726,
D21/753; 473/44-51

See application file for complete search history.

FIG. 1 is a side view of the billiard cue shaft;
FIG. 2 is an enlarged top plan view thereof;
FIG. 3 is a bottom plan view of FIG. 2;
FIG. 4 is a left side elevational view of FIG. 2;
FIG. 5 is a right side elevational view of FIG. 2;
FIG. 6 is a cross sectional view taken on line 6-6 of FIG. 5
FIG. 7 is an enlarged fragmented bottom plan view taken FIG. 3;
FIG. 8 is an enlarged fragmented right side view taken on FIG. 5; and,
FIG. 9 is an enlarged cross sectional view taken on line 9-9 of FIG. 6.

(56) **References Cited**

U.S. PATENT DOCUMENTS

| | | | | |
|----------------|--------|--------------|-------|---------|
| D370,516 S * | 6/1996 | Ciotola | | D21/726 |
| D371,819 S * | 7/1996 | Brown | | D21/726 |
| D418,884 S | 1/2000 | Kurrek | | |
| 6,746,336 B1 * | 6/2004 | Brant et al. | | 473/44 |
| D560,734 S * | 1/2008 | Stoller | | D21/726 |

* cited by examiner

The broken line showing of a portion of the billiard cue as well as the circle areas of FIGS. 7 and 8 is included for the purpose of illustrating and forms no part of the claimed design.

Primary Examiner — Mitchell Siegel

1 Claim, 2 Drawing Sheets

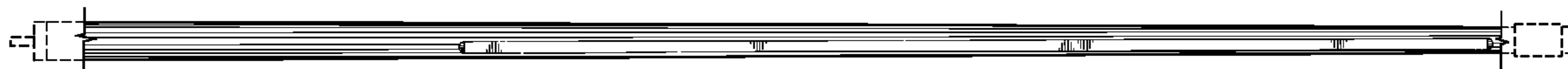




Fig. 1

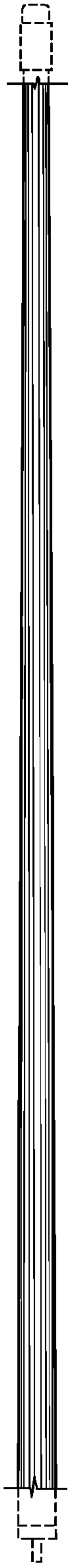


Fig. 2

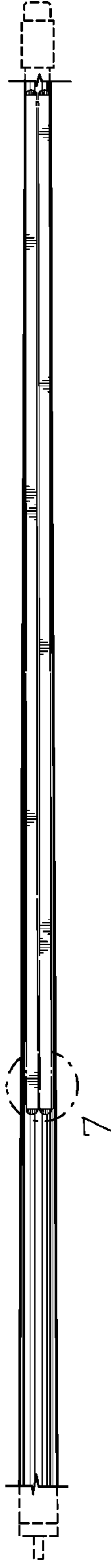


Fig. 3

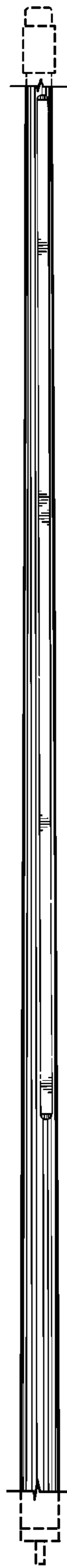


Fig. 4

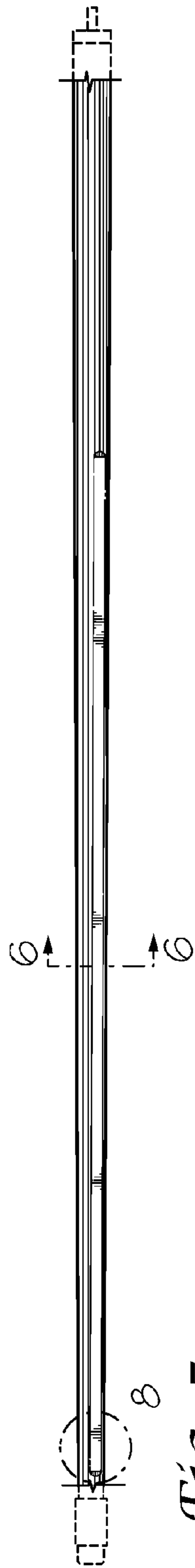


Fig. 5

Fig. 6

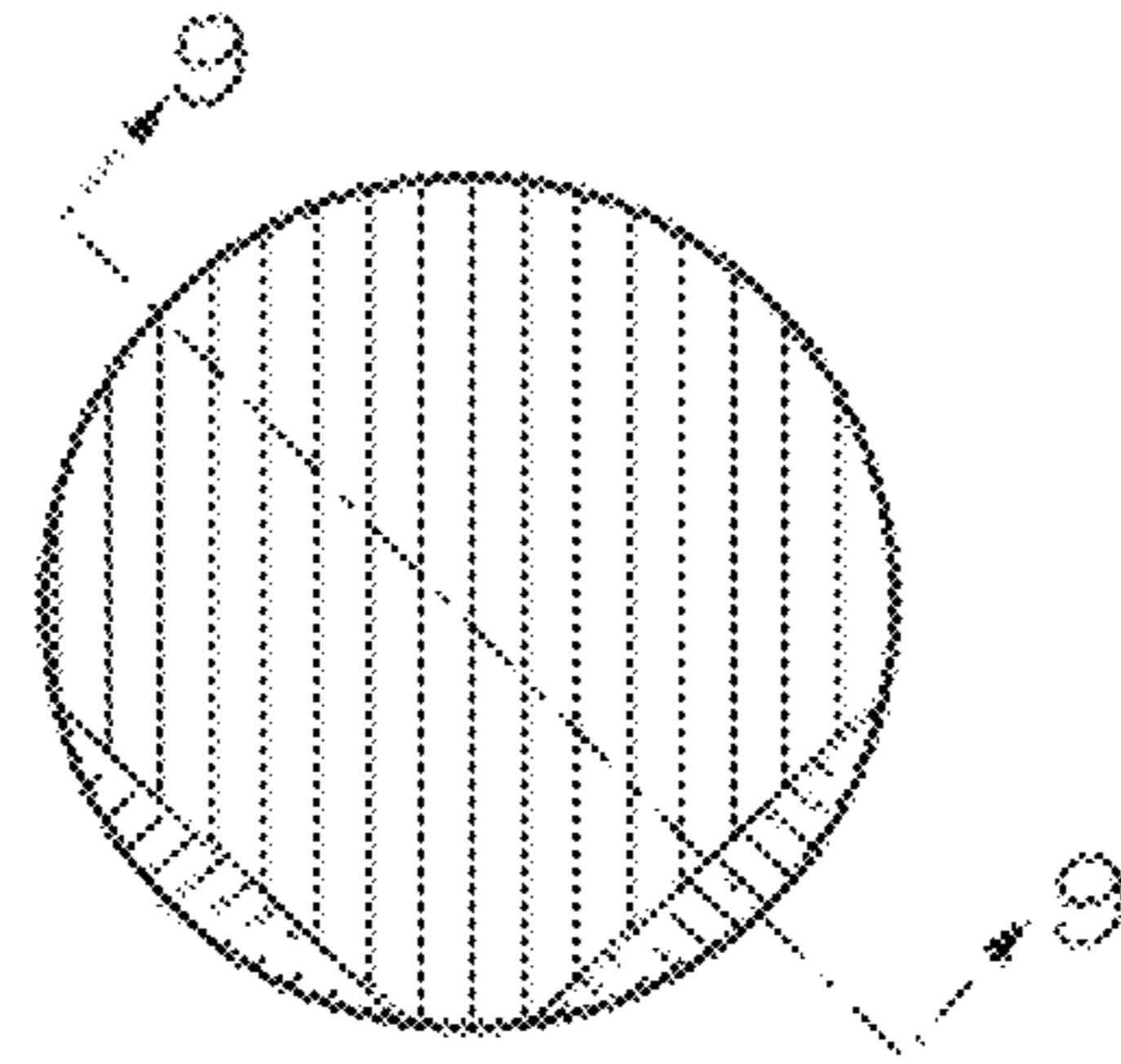


Fig. 7

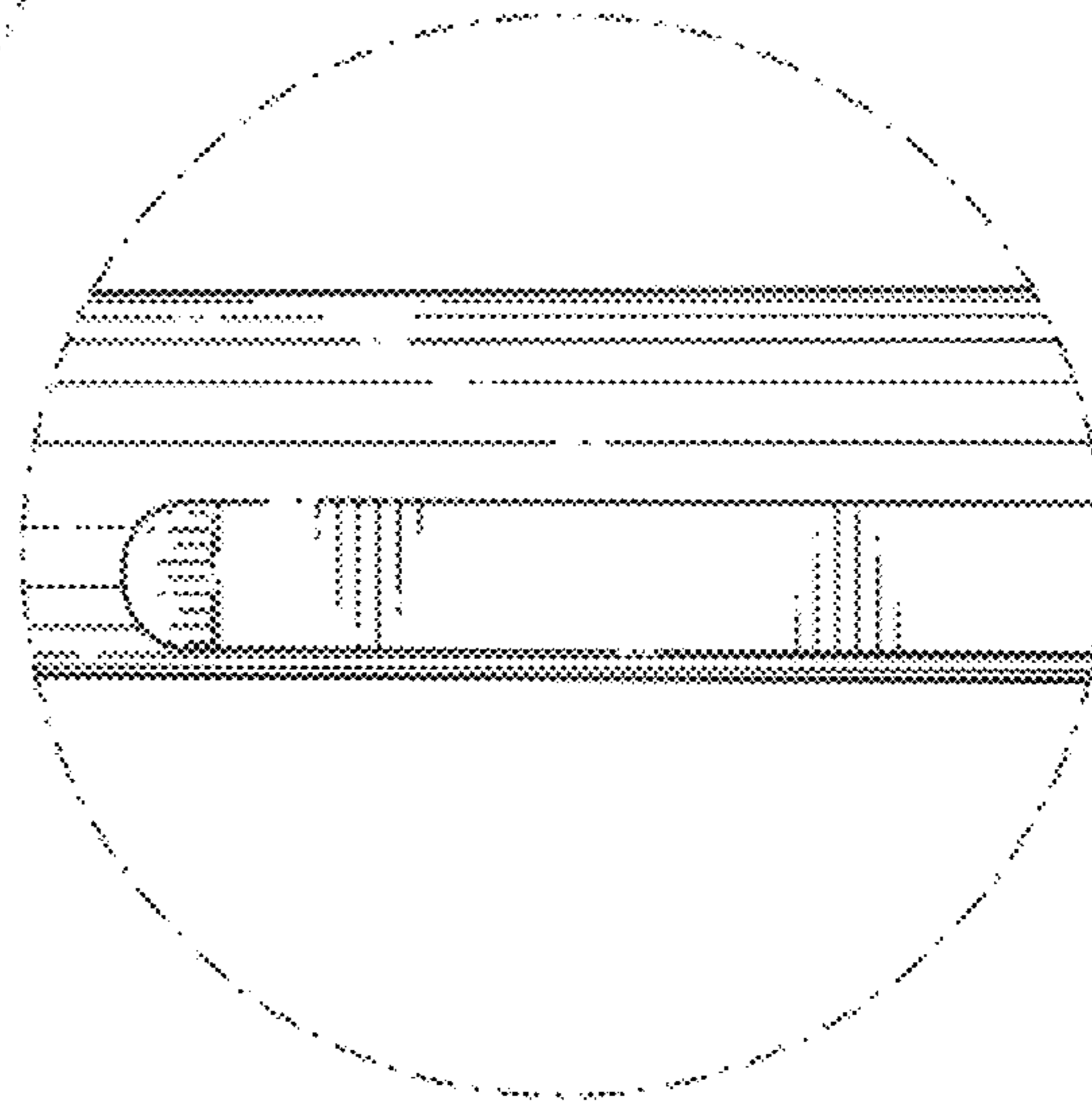


Fig. 8

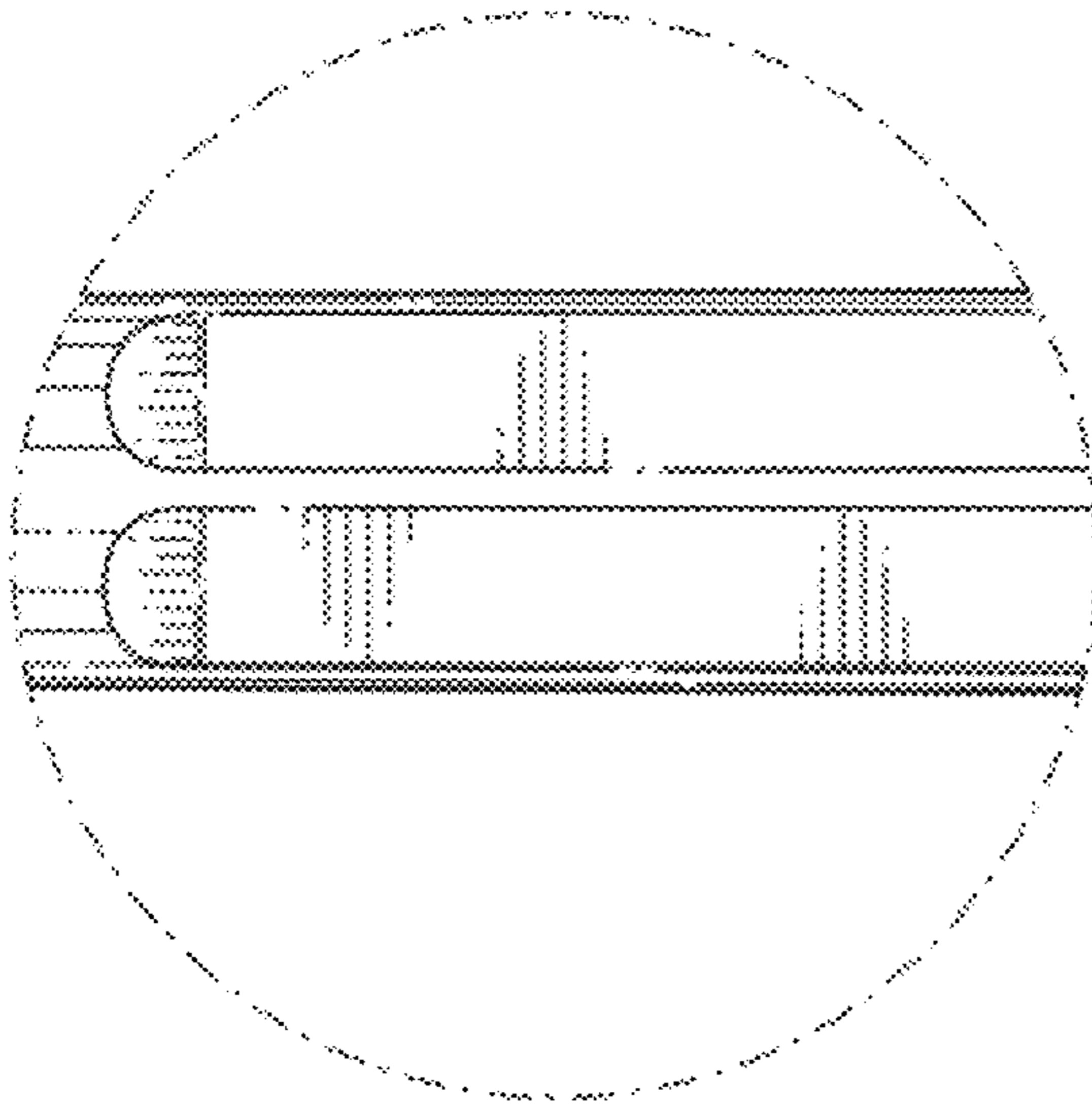


Fig. 9

