



US00D655357S

(12) **United States Design Patent**
Casey et al.

(10) **Patent No.:** **US D655,357 S**
(45) **Date of Patent:** **** Mar. 6, 2012**

(54) **ABDOMINAL EXERCISE DEVICE**
(75) Inventors: **Michael Casey**, Austin, TX (US); **David Brodess**, Austin, TX (US)

(73) Assignee: **Fitness Brands 2, LLC**, Austin, TX (US)

(**) Term: **14 Years**

(21) Appl. No.: **29/358,563**

(22) Filed: **Mar. 29, 2010**

(51) **LOC (9) Cl.** **21-02**

(52) **U.S. Cl.** **D21/689**; D21/694

(58) **Field of Classification Search** D21/662,
D21/686, 688, 689, 694; 482/51, 71, 96,
482/131-132, 140, 142, 146-147; 601/23,
601/33, 40, 127, 131

See application file for complete search history.

(56) **References Cited**

U.S. PATENT DOCUMENTS

4,799,475	A *	1/1989	Iams et al.	601/23
4,989,860	A *	2/1991	Iams et al.	482/132
D613,351	S *	4/2010	Splane	D21/689
D622,334	S *	8/2010	Splane	D21/689
D626,608	S *	11/2010	Tsai	D21/689
D631,108	S *	1/2011	Brodess et al.	D21/689
D631,519	S *	1/2011	Chen	D21/689
7,927,267	B2 *	4/2011	Splane	482/142
D642,639	S *	8/2011	Tsai	D21/689

D643,482	S *	8/2011	Ho et al.	D21/689
8,002,685	B2 *	8/2011	Ho et al.	482/146
2010/0062914	A1 *	3/2010	Splane	482/96

* cited by examiner

Primary Examiner — Susan E Krakower

(74) *Attorney, Agent, or Firm* — TechLaw LLP

(57) **CLAIM**

The ornamental design for an abdominal exercise device, as shown and described.

DESCRIPTION

FIG. 1 is a perspective view of an abdominal exercise device showing our new design;

FIG. 2 is a top plan view thereof;

FIG. 3 is a bottom plan view thereof;

FIG. 4 is a right side elevation view thereof;

FIG. 5 is a left side elevation view thereof;

FIG. 6 is a rear elevation view thereof;

FIG. 7 is a front elevation view thereof;

FIG. 8 is a perspective view of an abdominal exercise device showing our new design, with unclaimed environment removed for clarity of disclosure;

FIG. 9 is a top plan view thereof;

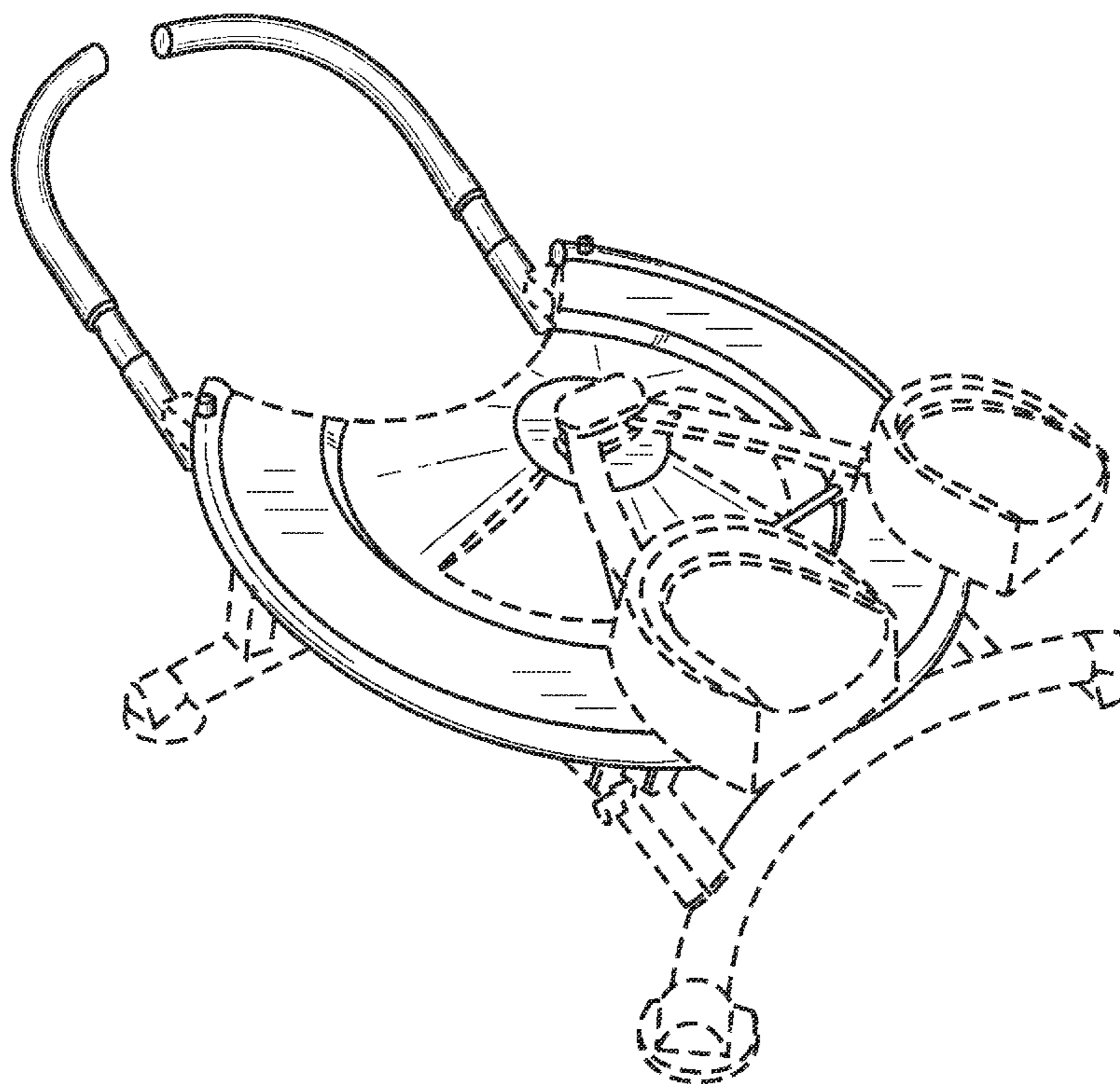
FIG. 10 is a bottom plan view thereof;

FIG. 11 is a right side elevation view thereof; and,

FIG. 12 is a left side elevation view thereof.

The broken lines illustrate environmental elements of the abdominal exercise device which form no part of the claimed design.

1 Claim, 12 Drawing Sheets



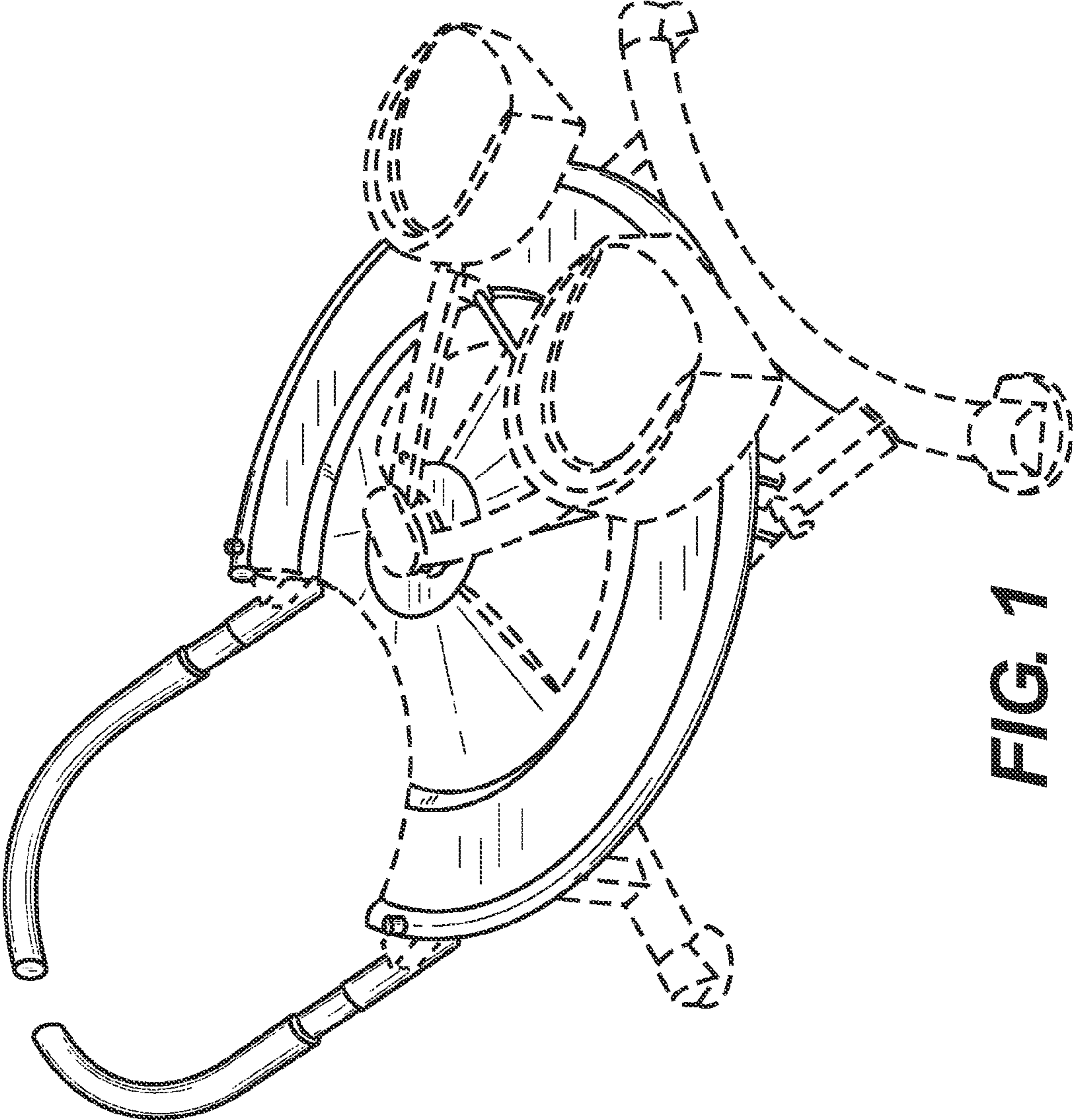


FIG. 1

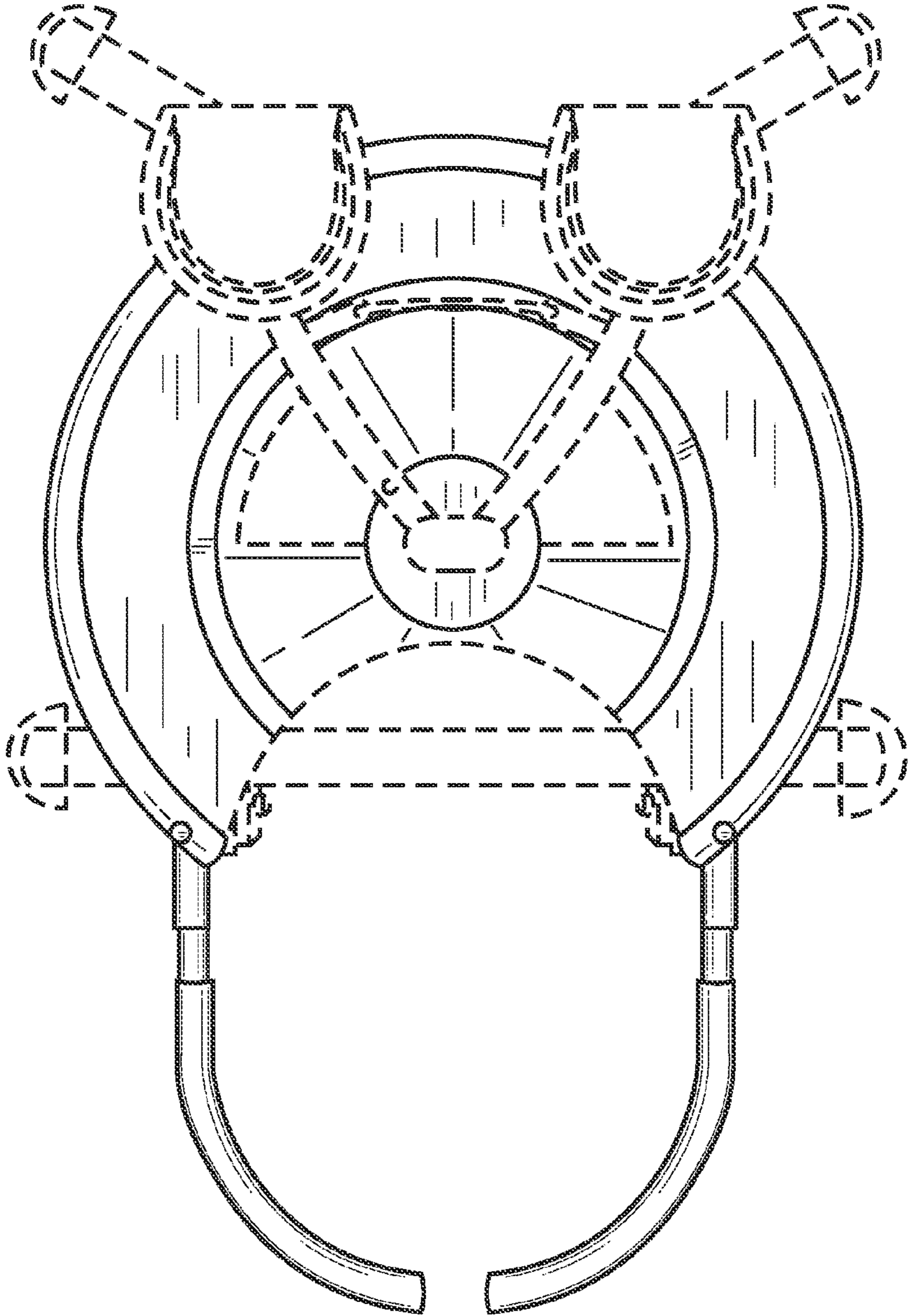


FIG. 2

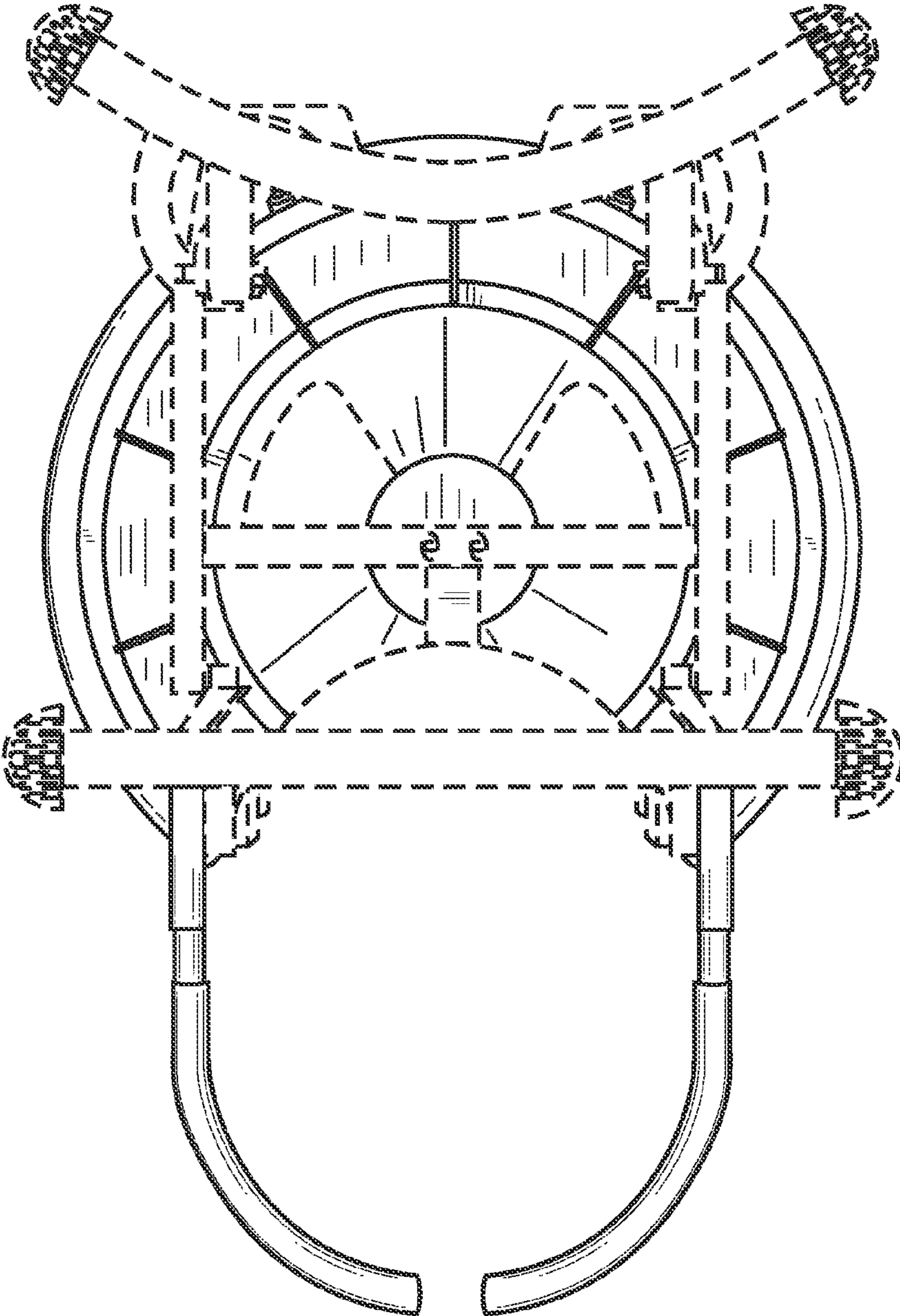


FIG. 3

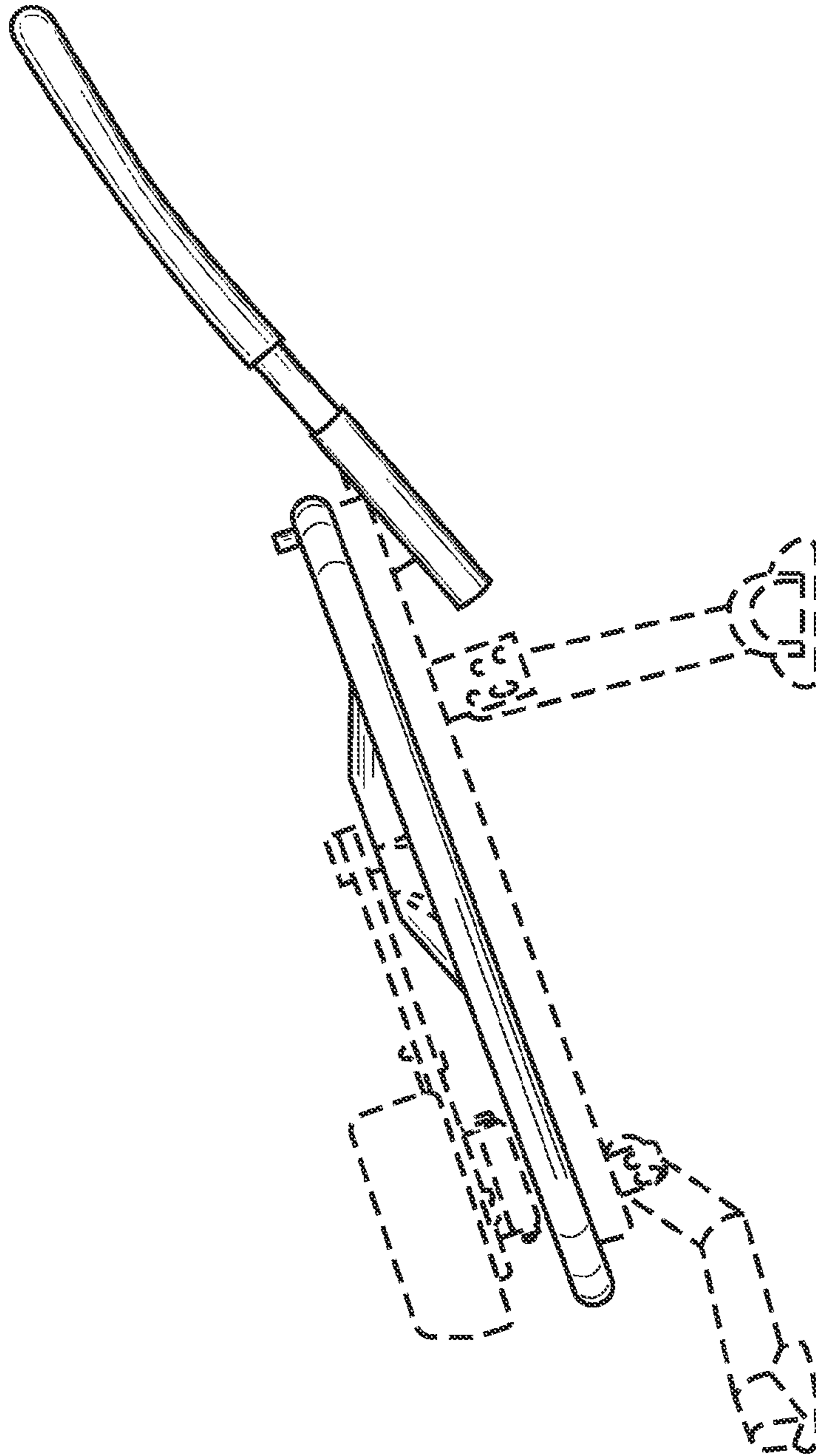


FIG. 4

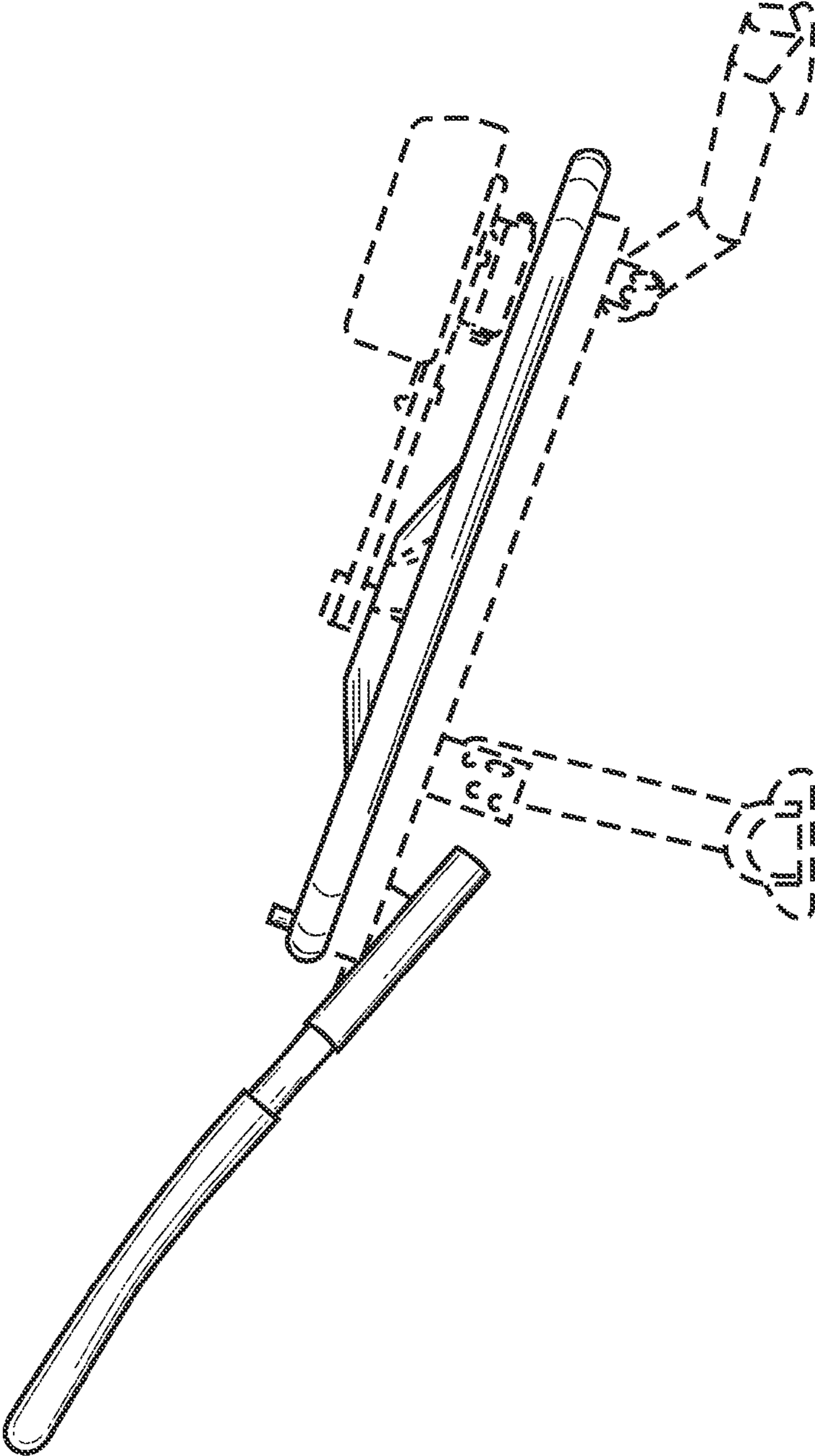


FIG. 5

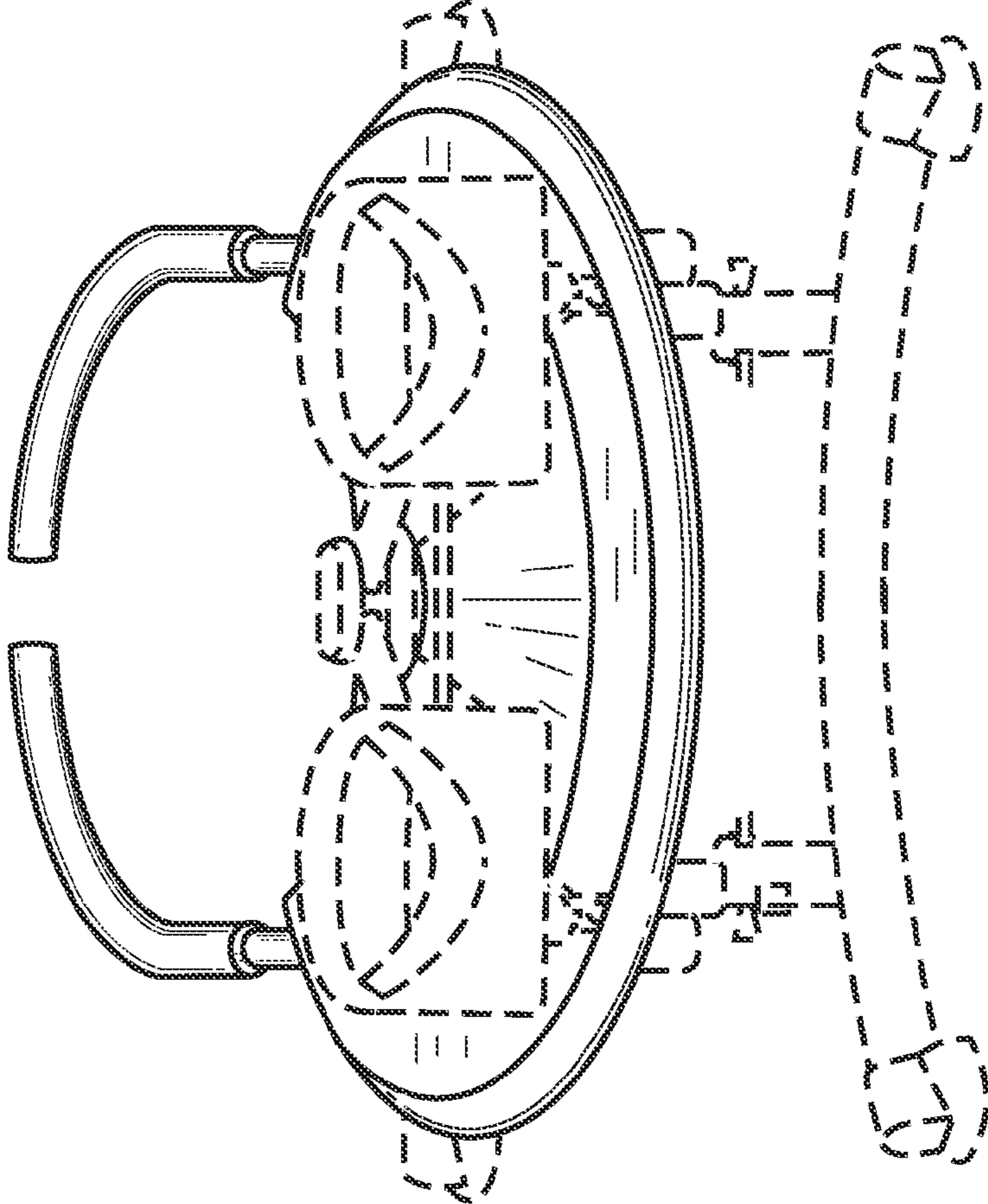


FIG. 6

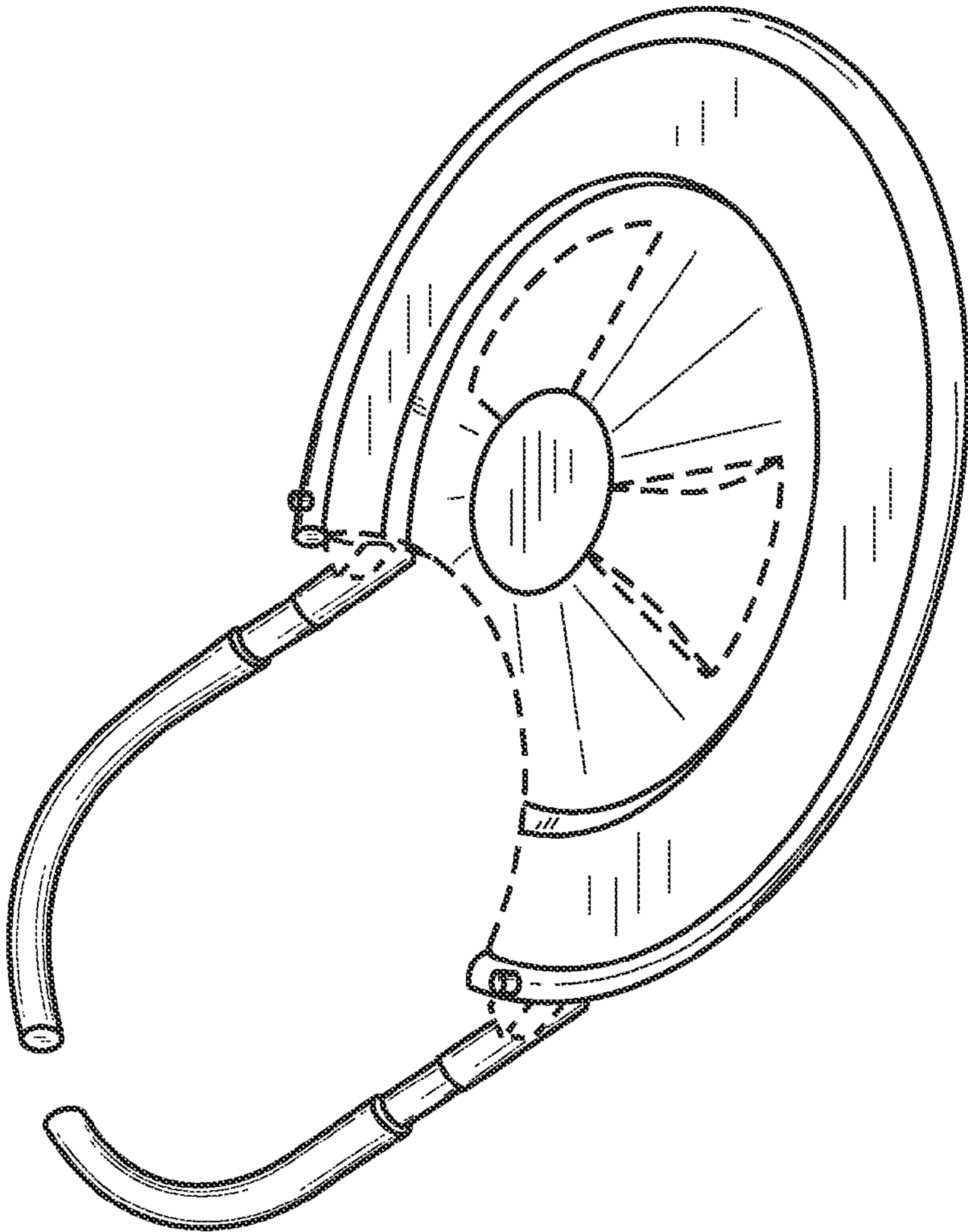


FIG. 8

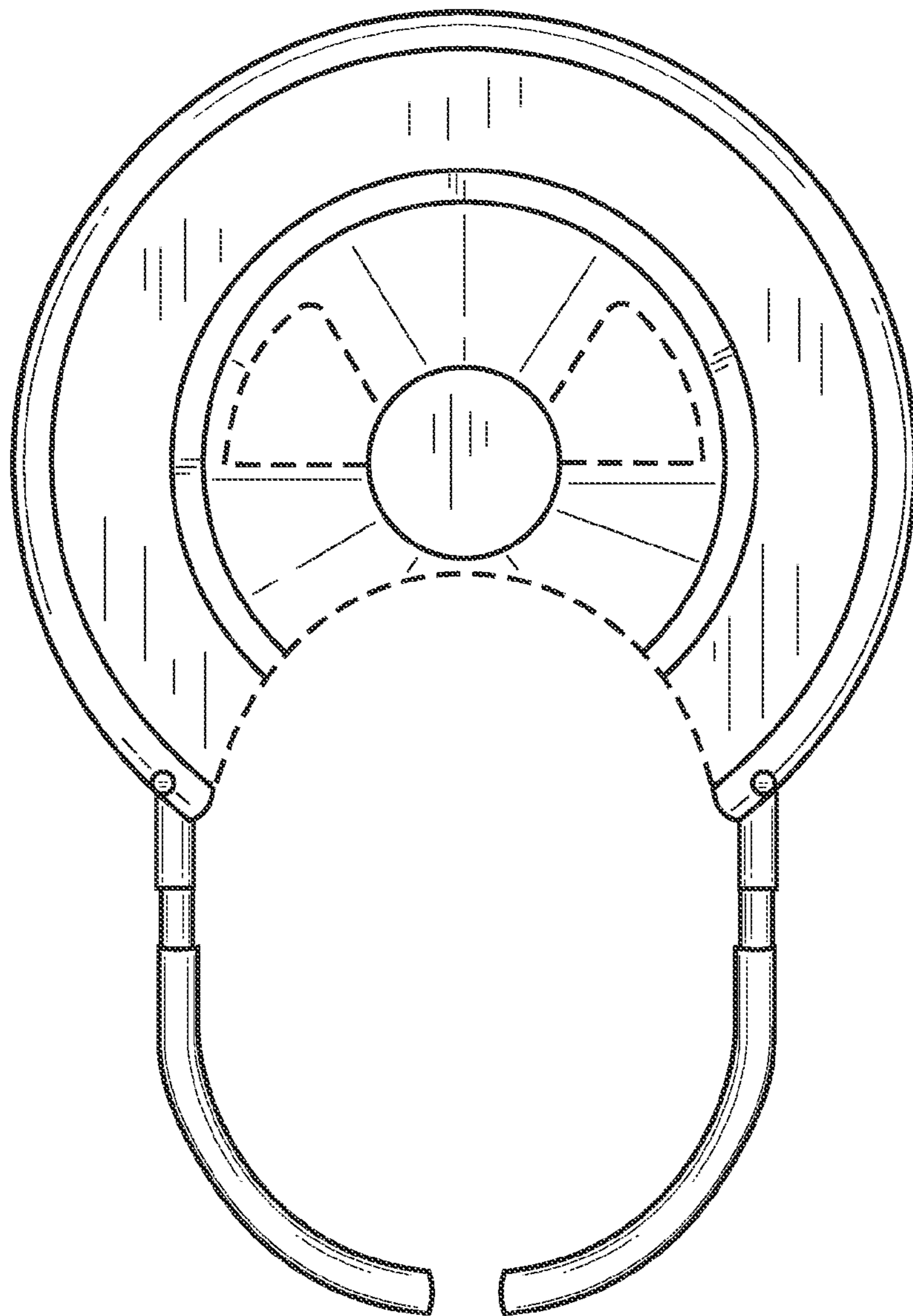


FIG. 9

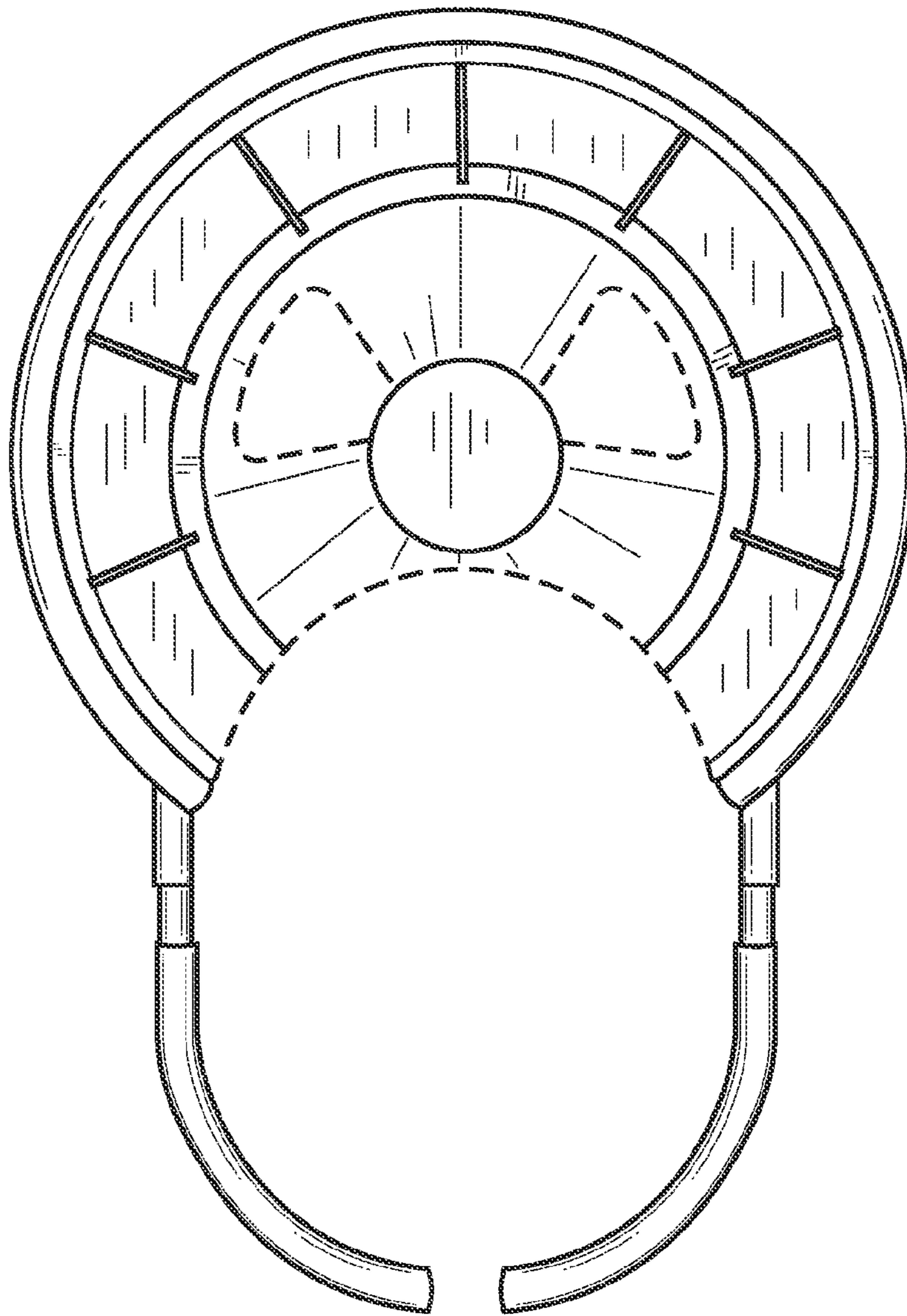


FIG. 10

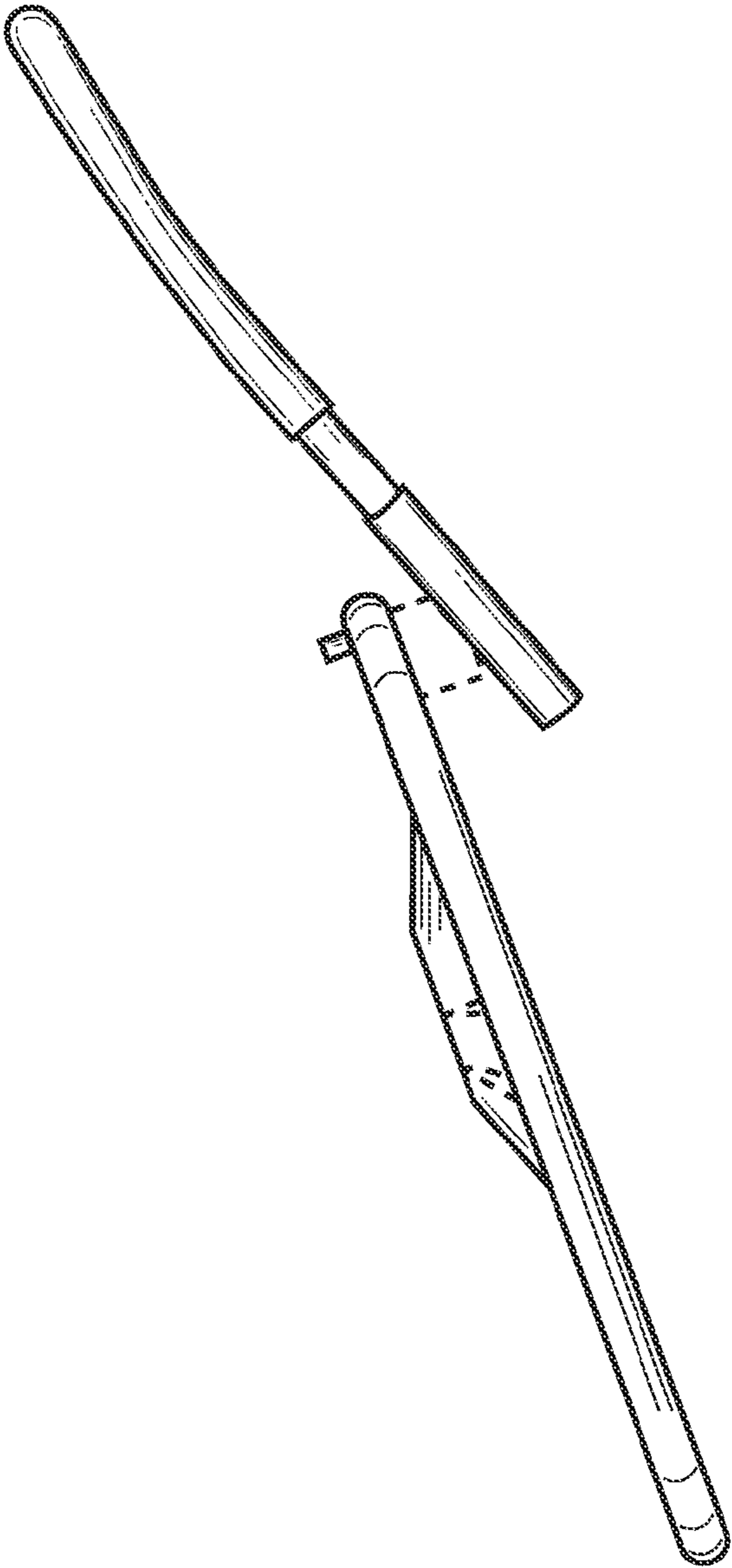


FIG. 11

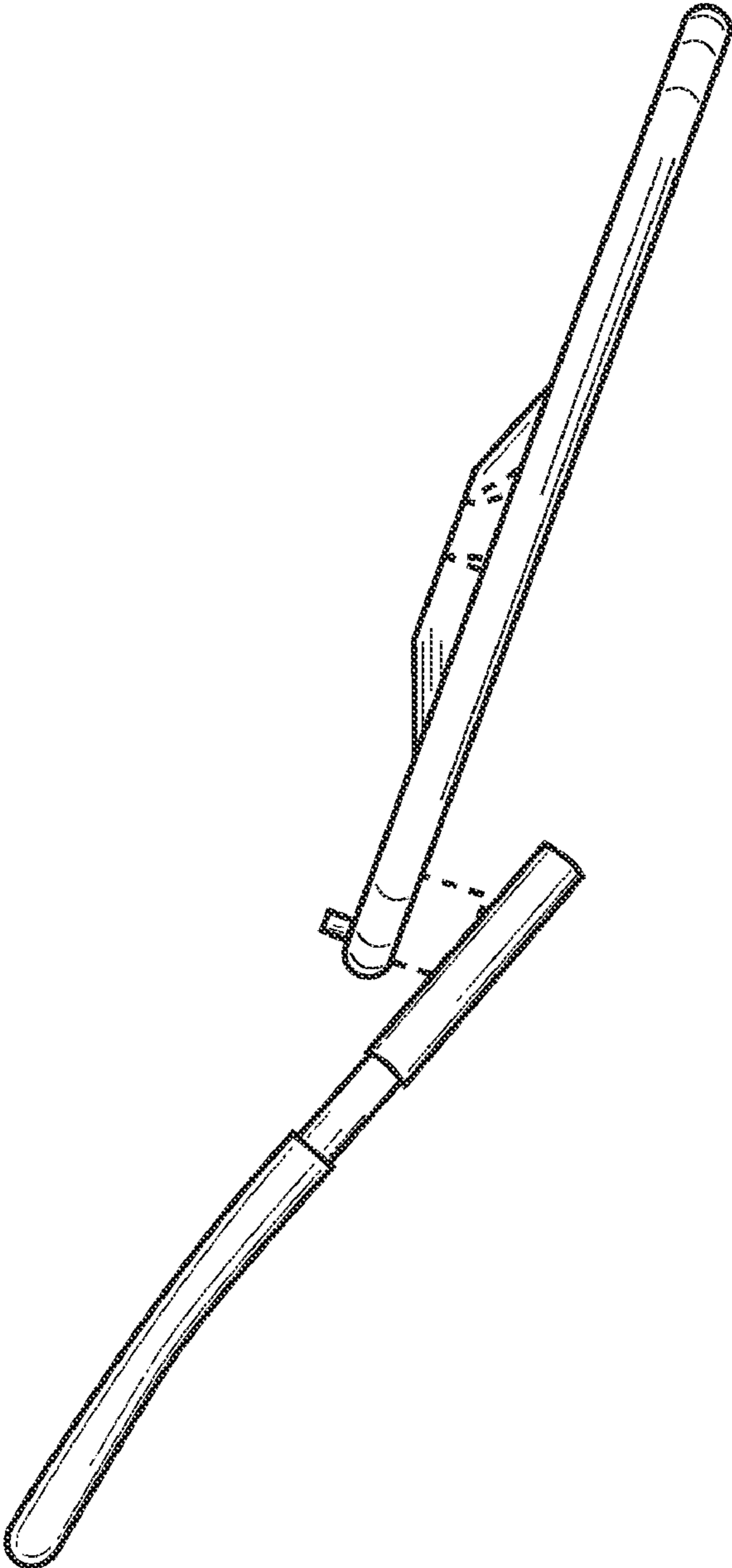


FIG. 12