



US00D655355S

(12) **United States Design Patent**
Hsu

(10) **Patent No.:** **US D655,355 S**
(45) **Date of Patent:** **** Mar. 6, 2012**

(54) **PHYSICAL EXERCISER**

(76) Inventor: **Shih-Liang Hsu**, Taichung (TW)

(**) Term: **14 Years**

(21) Appl. No.: **29/388,325**

(22) Filed: **Mar. 28, 2011**

(51) **LOC (9) Cl.** **21-02**

(52) **U.S. Cl.** **D21/679; D21/692**

(58) **Field of Classification Search** D21/662,
D21/679, 680, 681, 684, 686, 687, 692, 694,
D21/805; 482/91, 92, 95, 96, 110, 114, 126-127,
482/132, 140-141, 148

See application file for complete search history.

(56) **References Cited**

U.S. PATENT DOCUMENTS

D202,198 S *	9/1965	Wilson	D21/662
D250,782 S *	1/1979	Gibson	D21/684
D262,730 S *	1/1982	Lambert et al.	D21/694
D262,814 S *	1/1982	Lambert et al.	D21/694
D262,815 S *	1/1982	Lambert et al.	D21/694
4,327,907 A *	5/1982	DeVries	482/141
D290,485 S *	6/1987	Suponitsky	D21/681
D320,636 S *	10/1991	Eckler	D21/681
D322,827 S *	12/1991	Bennstrom et al.	D21/684
D330,738 S *	11/1992	Lenhardt	D21/679
D338,247 S *	8/1993	Koblick	D21/692
D343,882 S *	2/1994	Bennstrom et al.	D21/692
5,507,712 A *	4/1996	Chang	482/126
D379,835 S *	6/1997	Chen	D21/686

D385,601 S *	10/1997	Uen	D21/679
D405,851 S *	2/1999	McBride	D21/662
D413,948 S *	9/1999	Dalebout	D21/687
D425,151 S *	5/2000	Landfair	D21/681
6,139,476 A *	10/2000	Gallant	482/114
D447,779 S *	9/2001	Munger	D21/662
D456,863 S *	5/2002	Smithey	D21/679
D460,132 S *	7/2002	Asuncion et al.	D21/684
2011/0224056 A1 *	9/2011	Allen	482/126

* cited by examiner

Primary Examiner — Susan E Krakower

(74) *Attorney, Agent, or Firm* — Muncy, Geissler, Olds & Lowe, PLLC

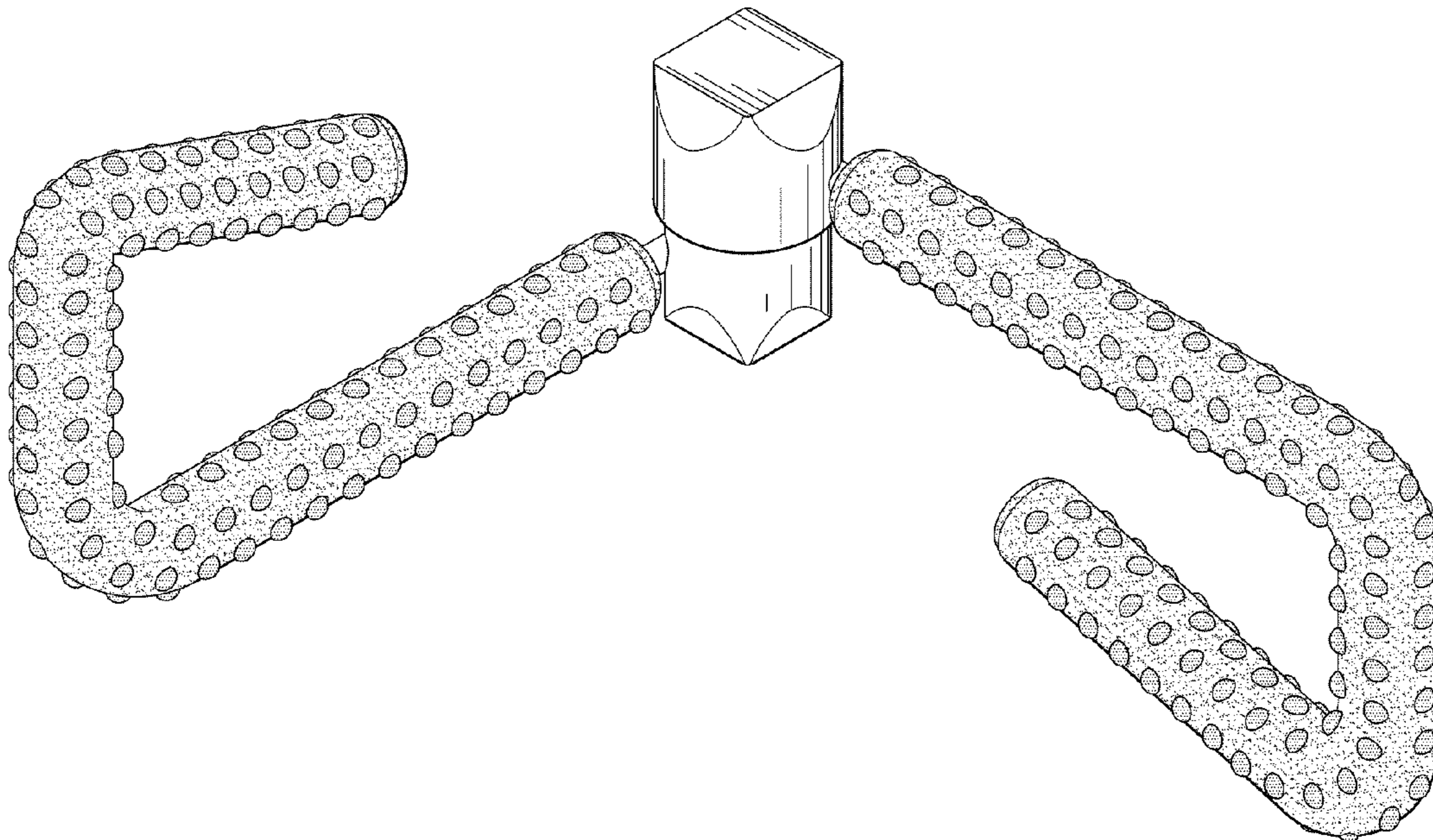
(57) **CLAIM**

I claim the ornamental design for a physical exerciser, as shown and described.

DESCRIPTION

FIG. 1 is a perspective view of the physical exerciser showing my new design;
FIG. 2 is a front view thereof;
FIG. 3 is a rear view thereof;
FIG. 4 is a left view thereof;
FIG. 5 is a right view thereof;
FIG. 6 is a top plan view thereof; and,
FIG. 7 is a bottom plan view thereof.

1 Claim, 5 Drawing Sheets



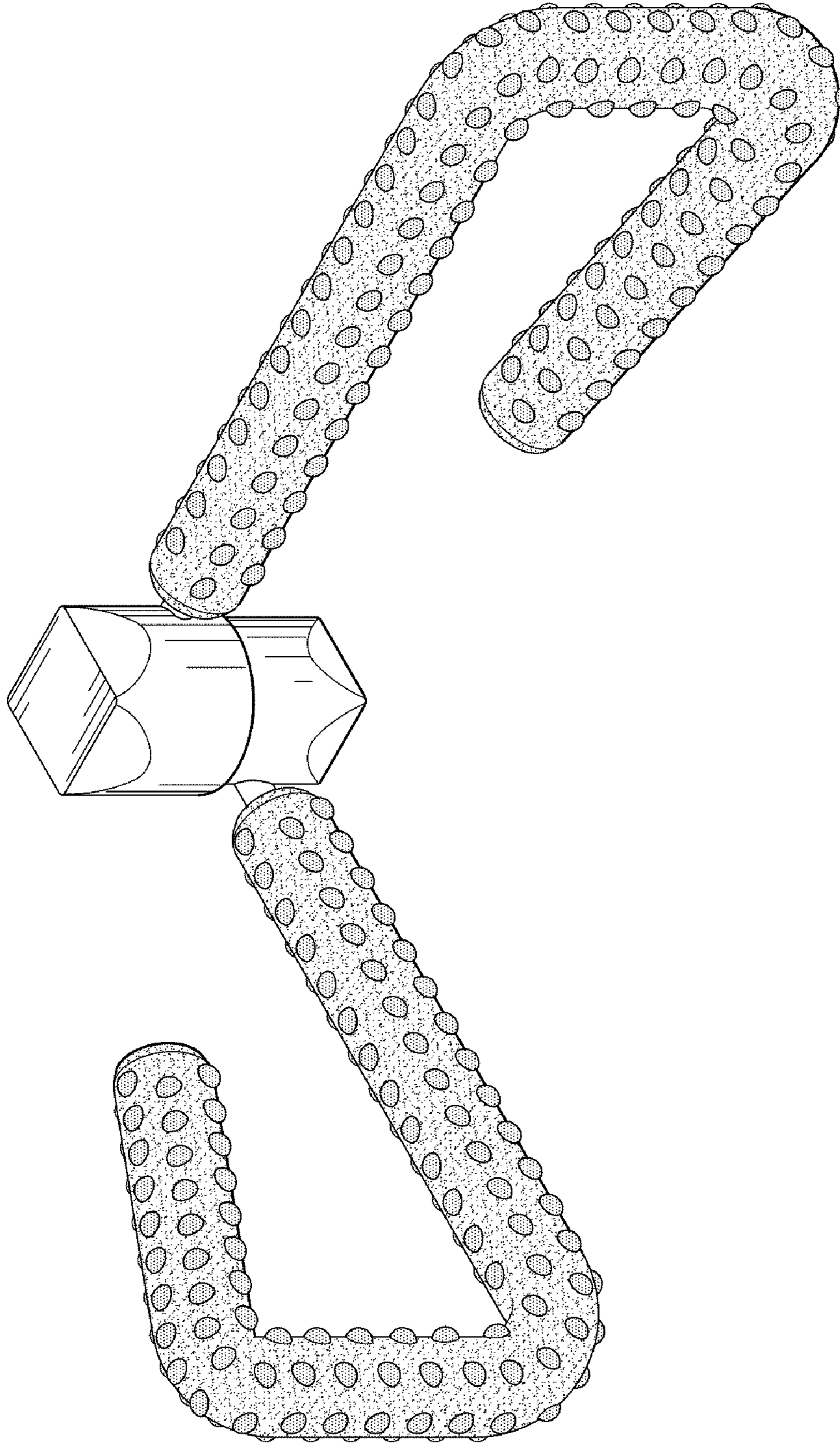


FIG. 1

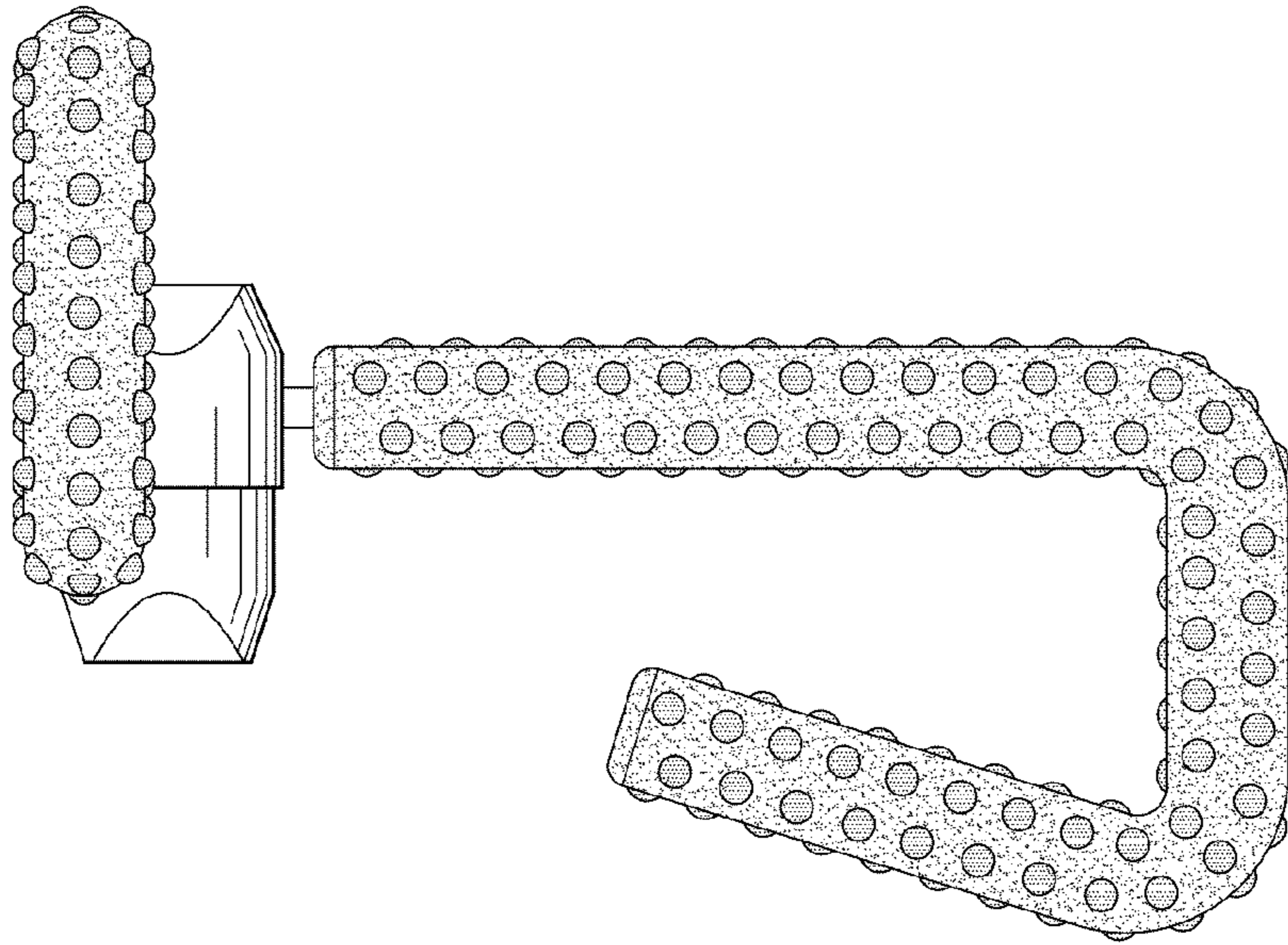


FIG. 2

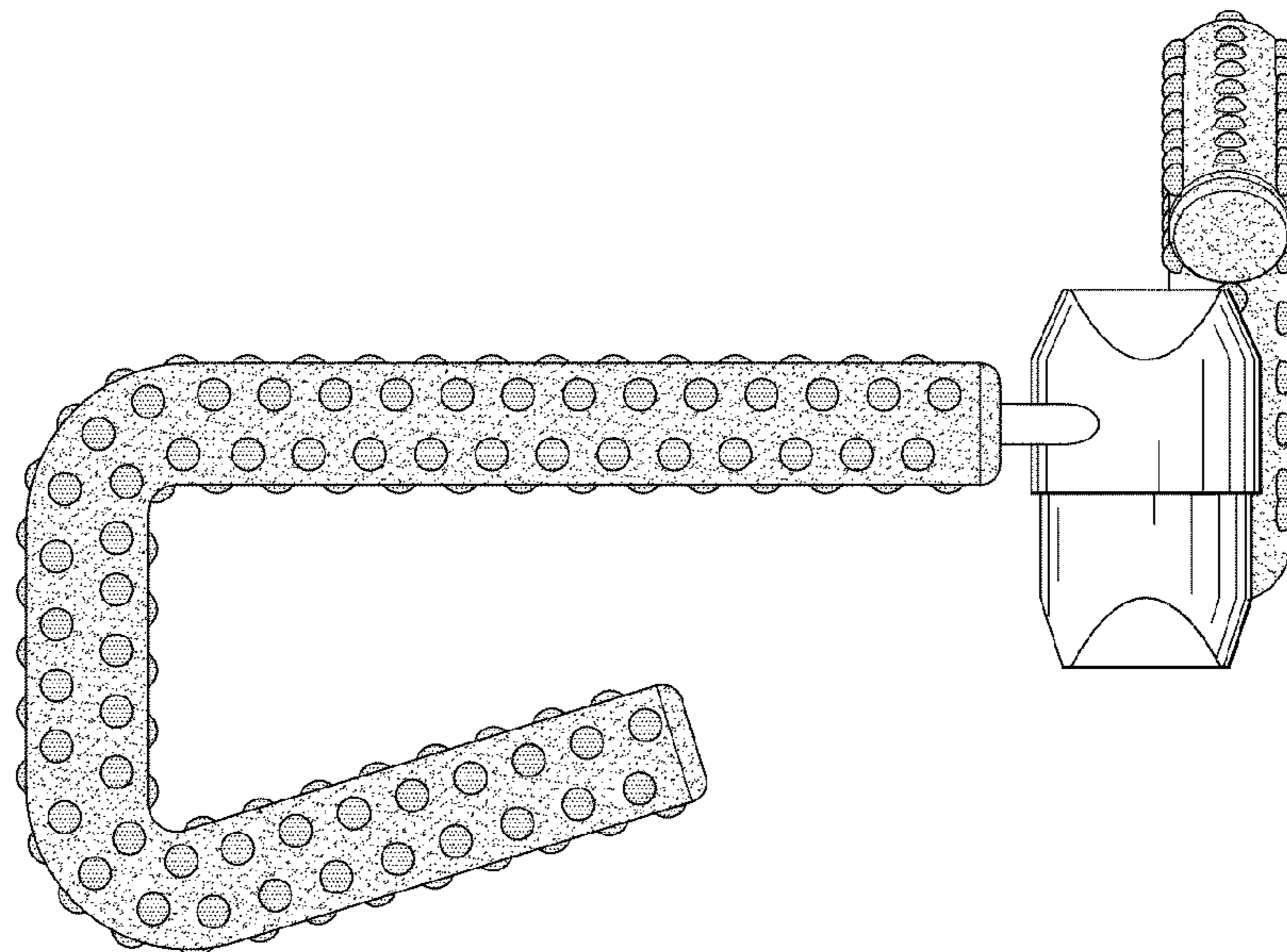


FIG. 3

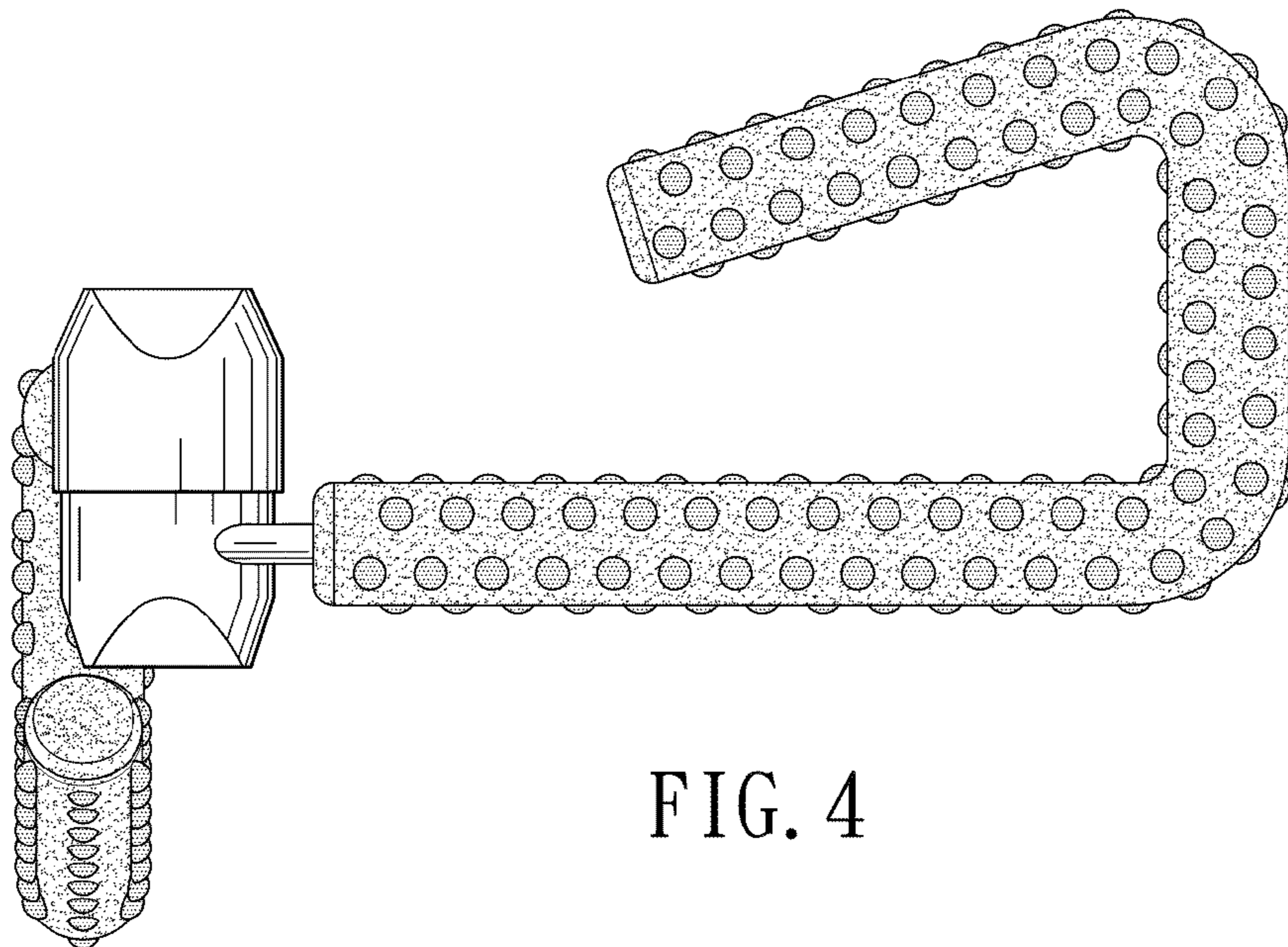


FIG. 4

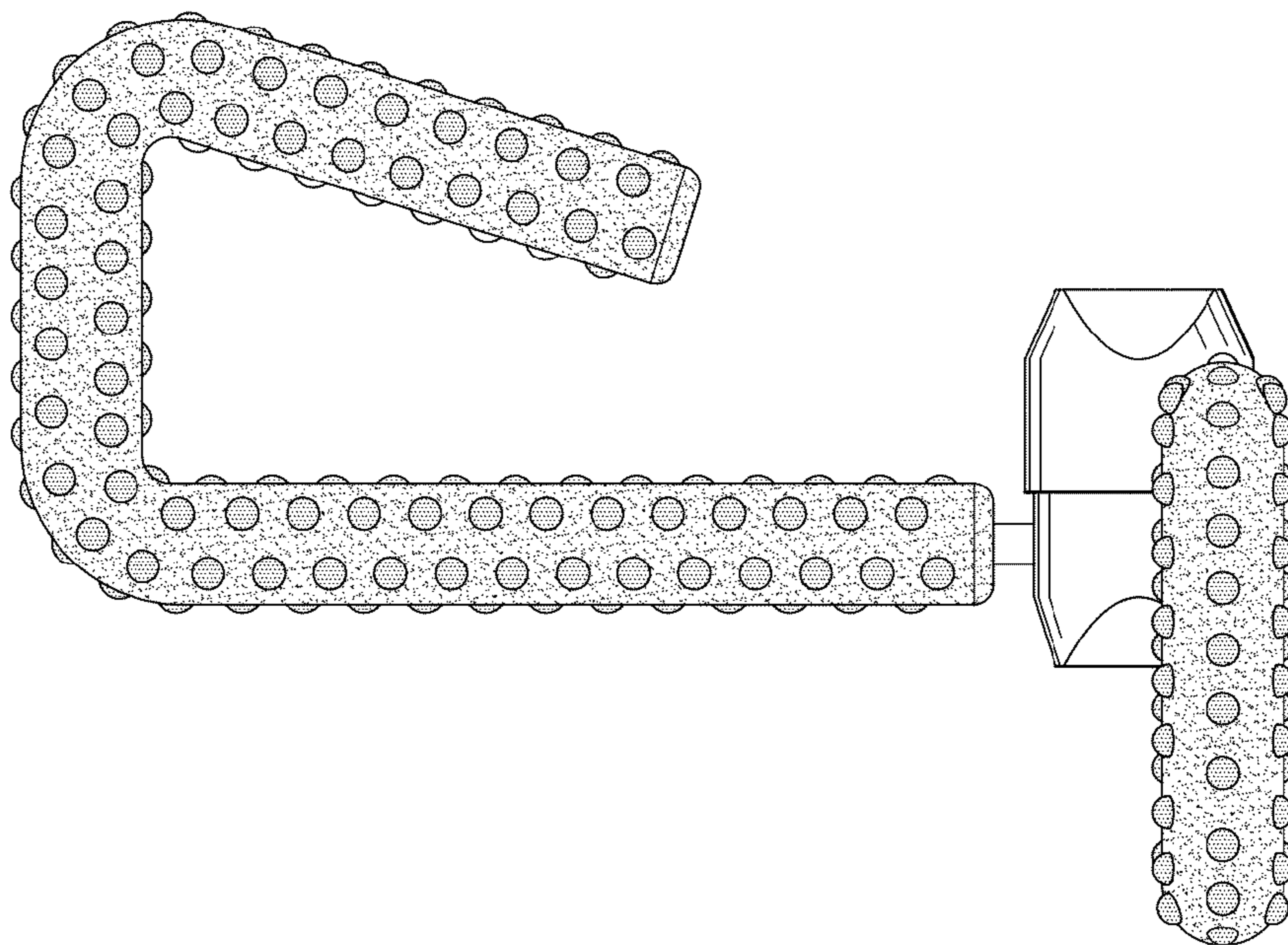


FIG. 5

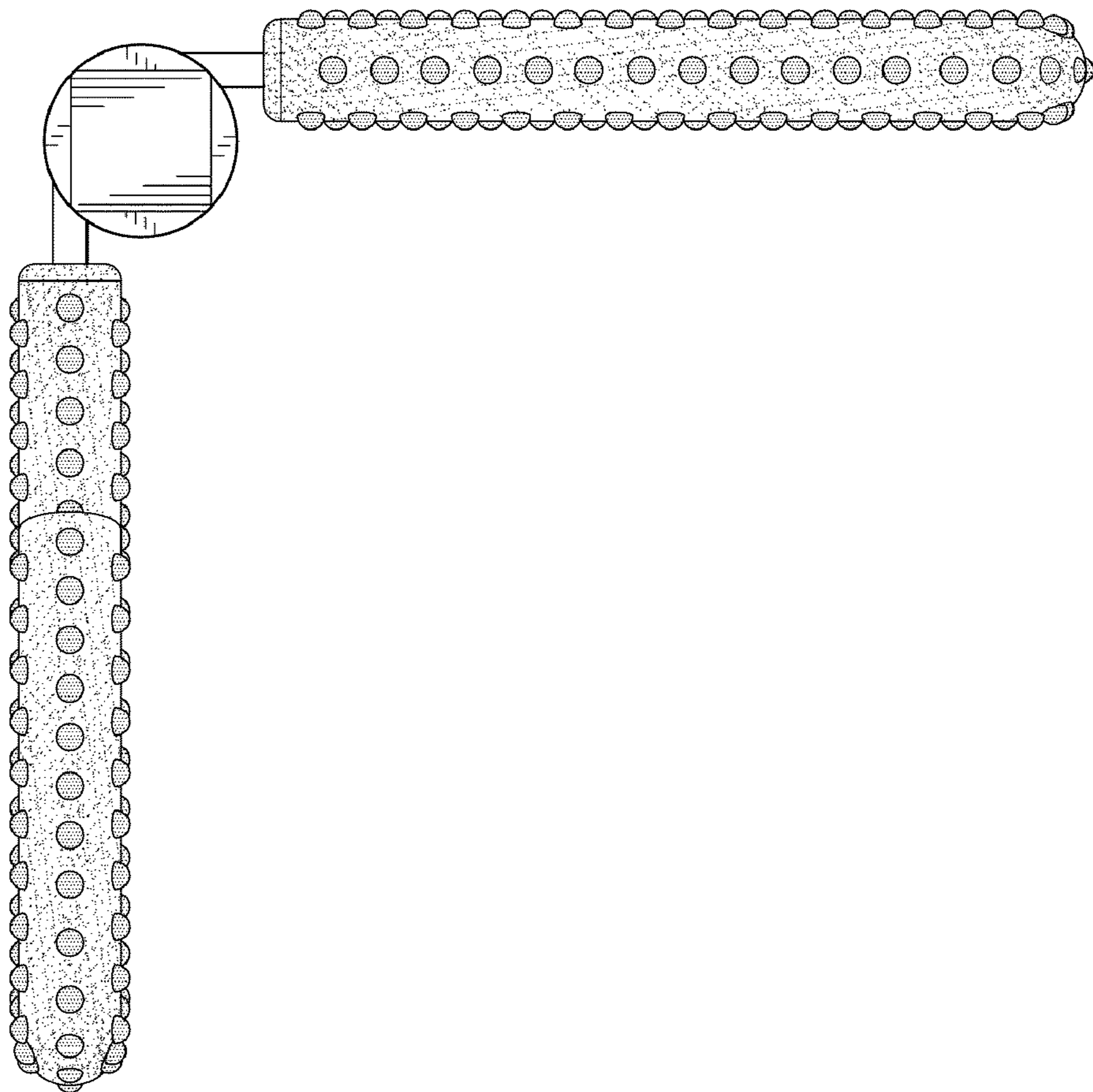


FIG. 6

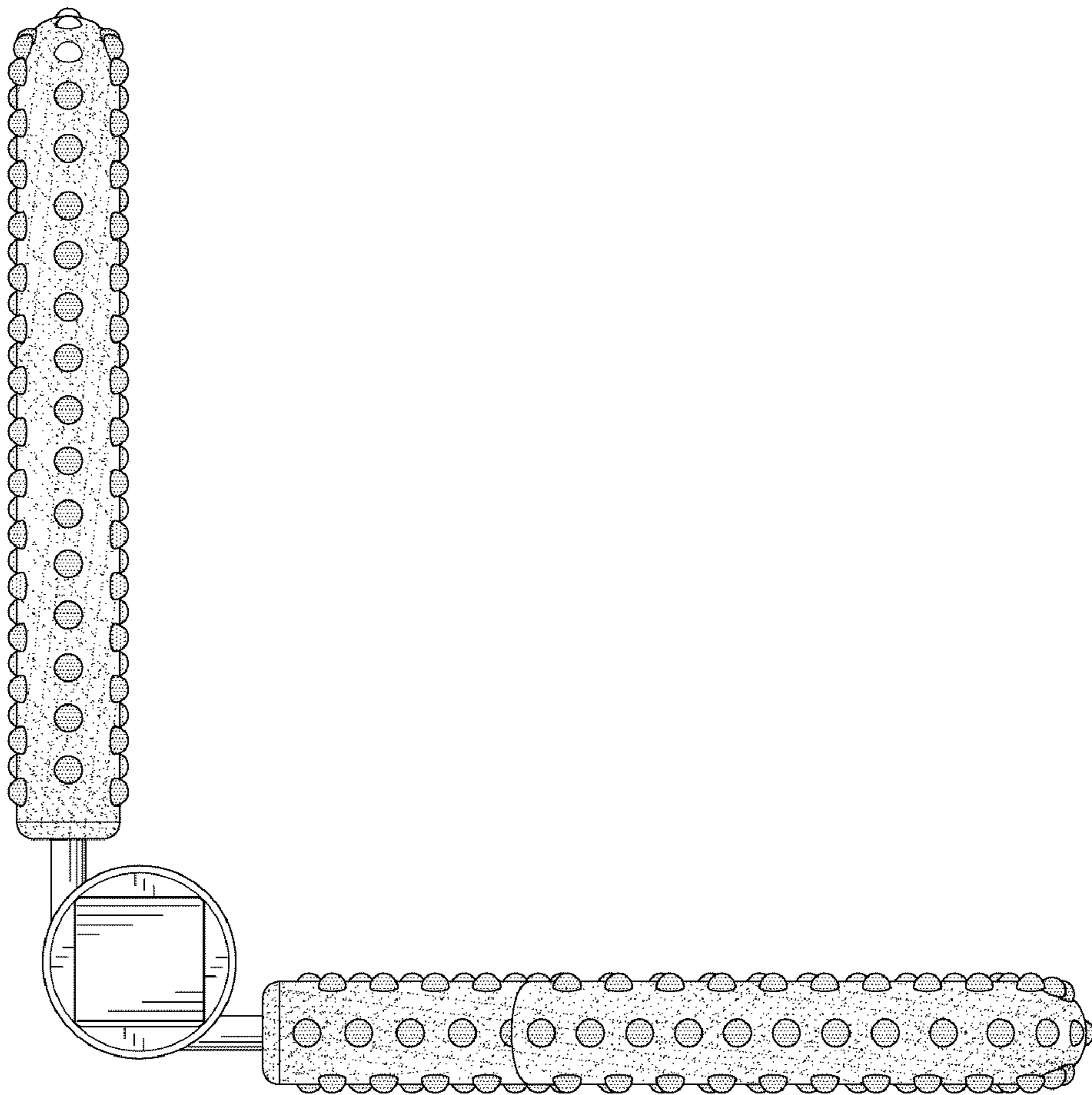


FIG. 7