

US00D655354S

(12) **United States Design Patent**  
**Schieppati**

(10) **Patent No.:** **US D655,354 S**  
(45) **Date of Patent:** **\*\* Mar. 6, 2012**

(54) **STATIONARY TRAINING BICYCLE**

(75) Inventor: **Luca Schieppati**, Milan (IT)

(73) Assignee: **Lamiflex S.p.A.**, Ponte Nossa (IT)

(\*\*) Term: **14 Years**

(21) Appl. No.: **29/347,174**

(22) Filed: **Oct. 15, 2009**

(30) **Foreign Application Priority Data**

Apr. 24, 2009 (EM) ..... 001129134

(51) **LOC (9) Cl.** ..... **21-02**

(52) **U.S. Cl.** ..... **D21/667**

(58) **Field of Classification Search** ..... D21/662-670,  
D21/694, 697; 482/51-52, 57-59, 61-65,  
482/70; 280/266, 282, 284, 288.1, 304.4;  
D12/111

See application file for complete search history.

(56) **References Cited**

**U.S. PATENT DOCUMENTS**

1,336,774 A \* 4/1920 Cooper ..... 4/528  
1,342,688 A \* 6/1920 Millward et al. .... 280/259  
1,494,364 A \* 5/1924 McGrath ..... 280/282

3,329,444 A \* 7/1967 Lidov ..... 280/210  
5,145,477 A \* 9/1992 Han ..... 482/57  
D354,887 S \* 1/1995 Hawkins ..... D7/694  
5,490,719 A \* 2/1996 Lew ..... 301/5.1  
6,066,076 A \* 5/2000 Wang et al. .... 482/52  
D460,794 S \* 7/2002 Baker ..... D21/667  
D524,384 S \* 7/2006 Nagano ..... D21/663  
D571,873 S \* 6/2008 Goldberg ..... D21/697  
7,413,530 B2 \* 8/2008 Warner et al. .... 482/57

\* cited by examiner

*Primary Examiner* — Susan E Krakower

(74) *Attorney, Agent, or Firm* — Modiano & Associati;  
Albert Josif; Daniel O'Byrne

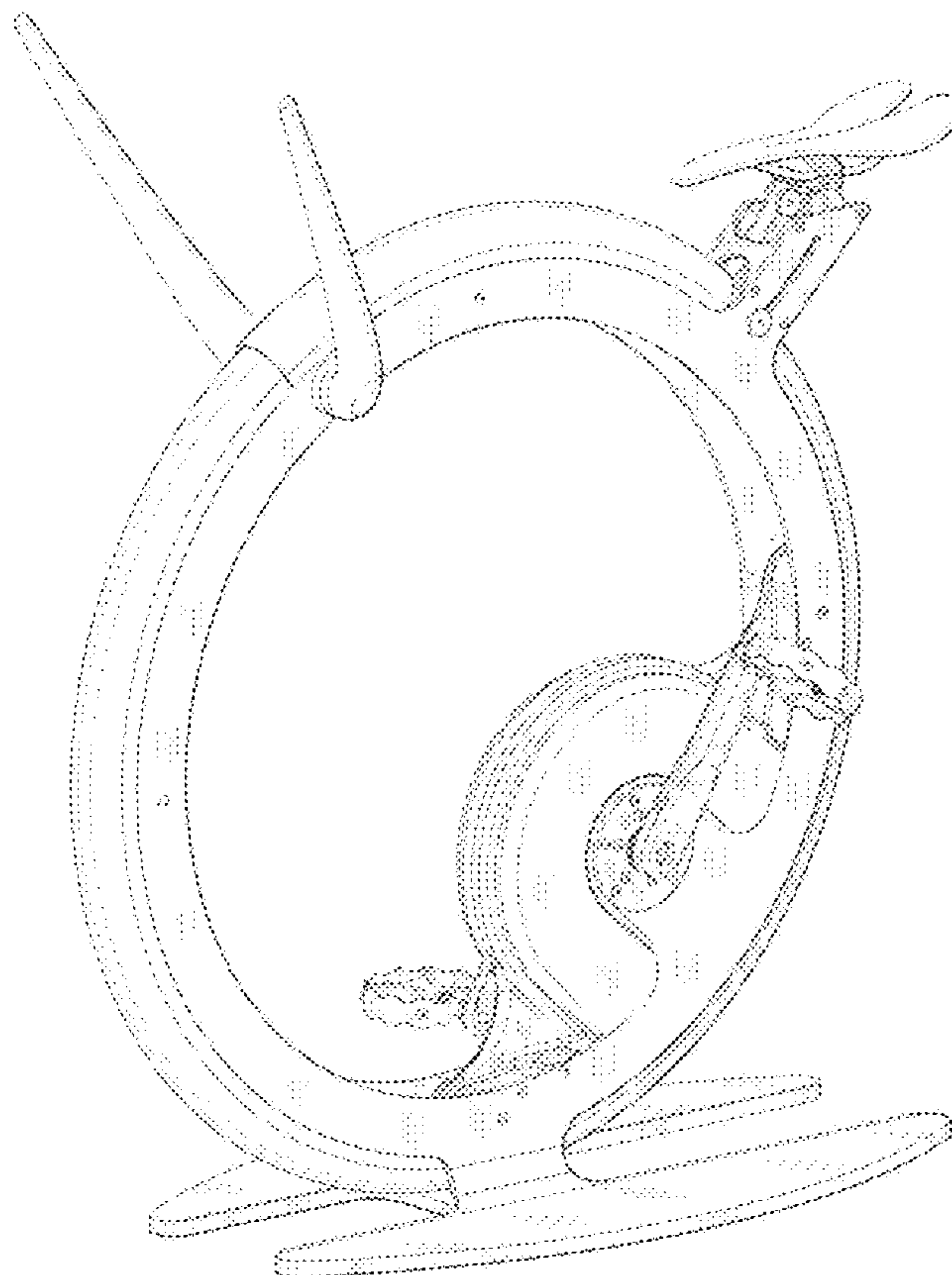
(57) **CLAIM**

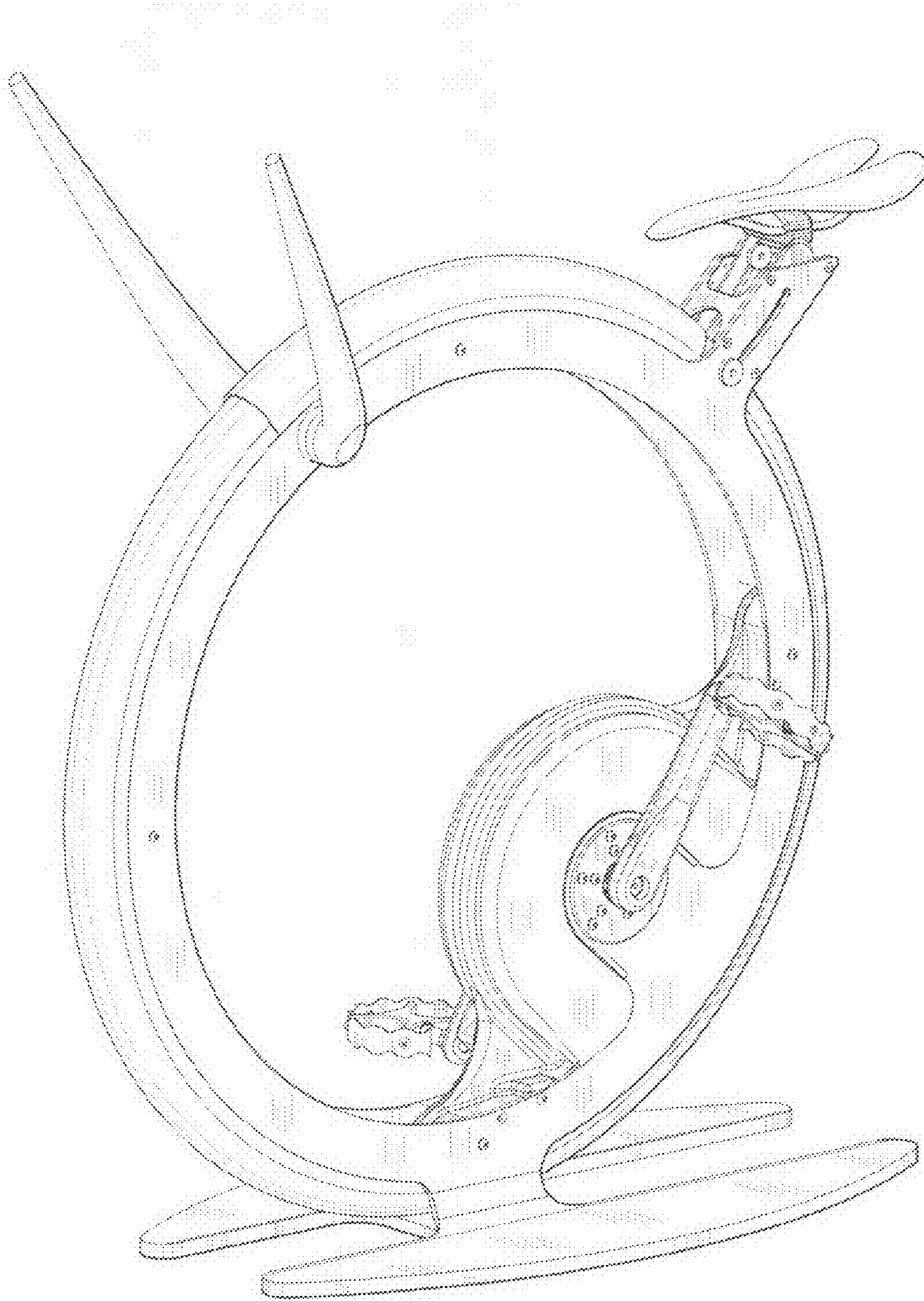
The ornamental design for the “stationary training bicycle”,  
as shown and described.

**DESCRIPTION**

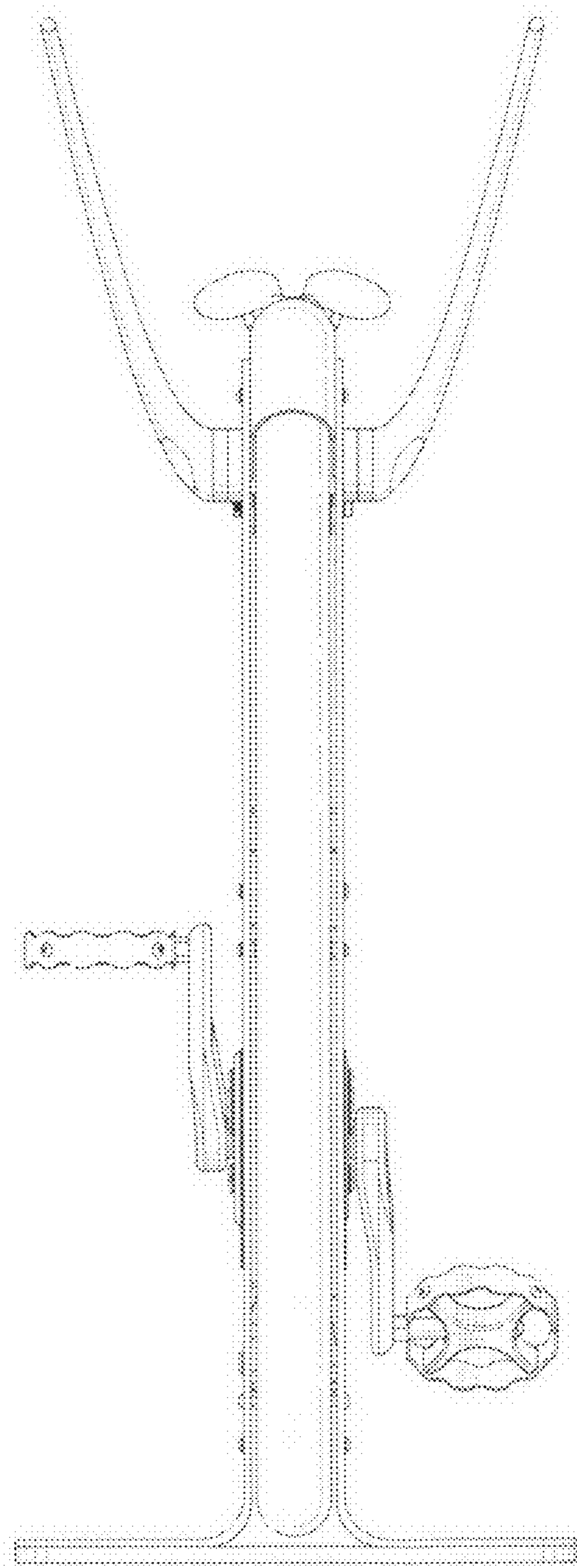
FIG. 1 is a perspective view of the stationary training bicycle;  
FIG. 2 is a front elevation view thereof;  
FIG. 3 is a rear elevation view thereof;  
FIG. 4 is a right side elevation view thereof;  
FIG. 5 is a left side elevation view thereof;  
FIG. 6 is a plan view thereof, taken from above; and,  
FIG. 7 is a plan view thereof, taken from below.

**1 Claim, 7 Drawing Sheets**

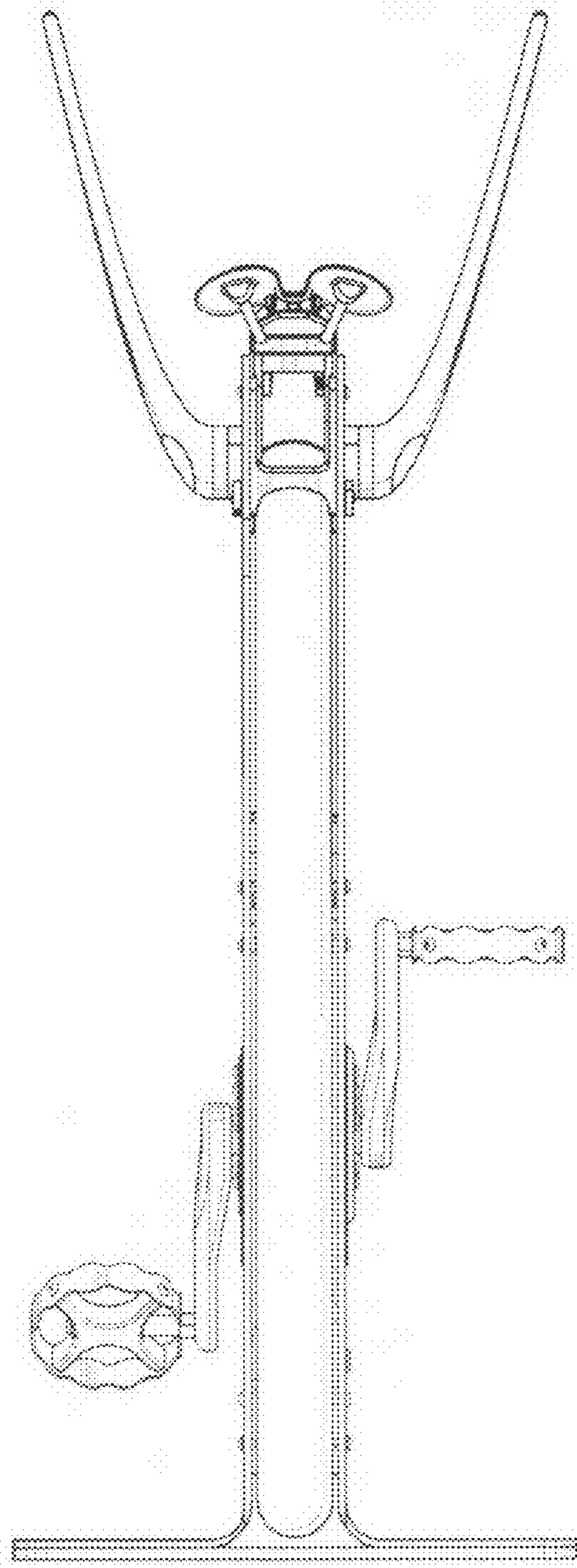




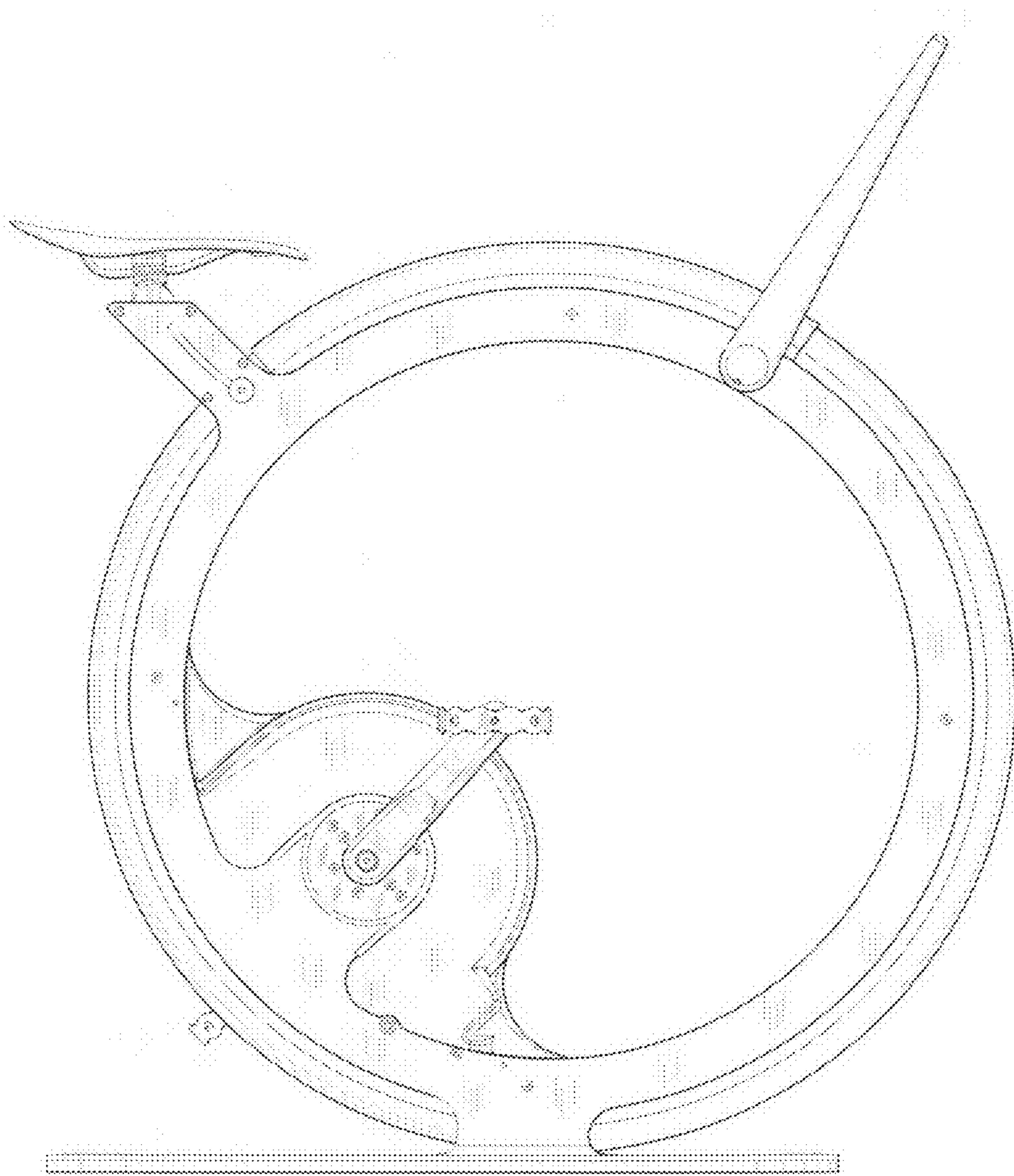
*Fig. 1*



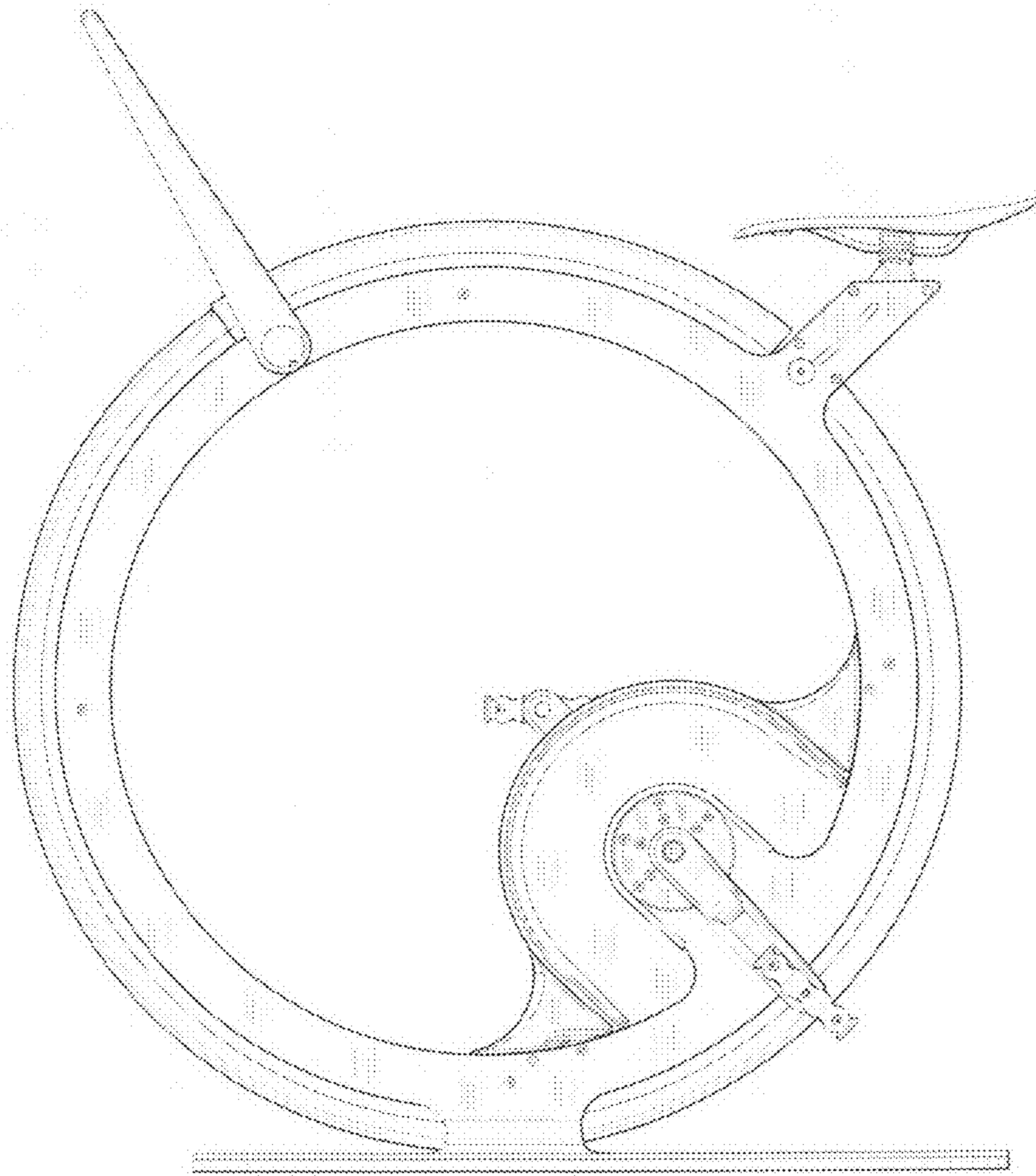
*Fig. 2*



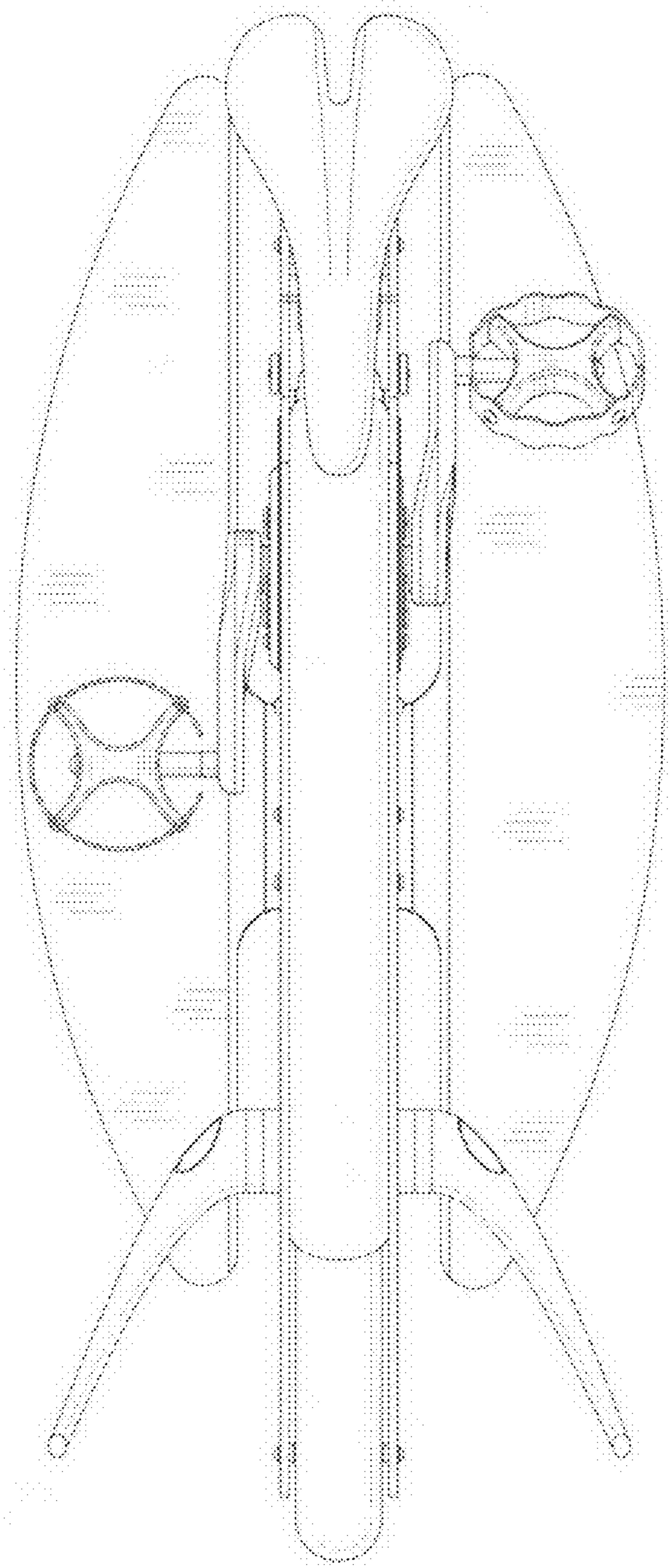
*Fig. 3*



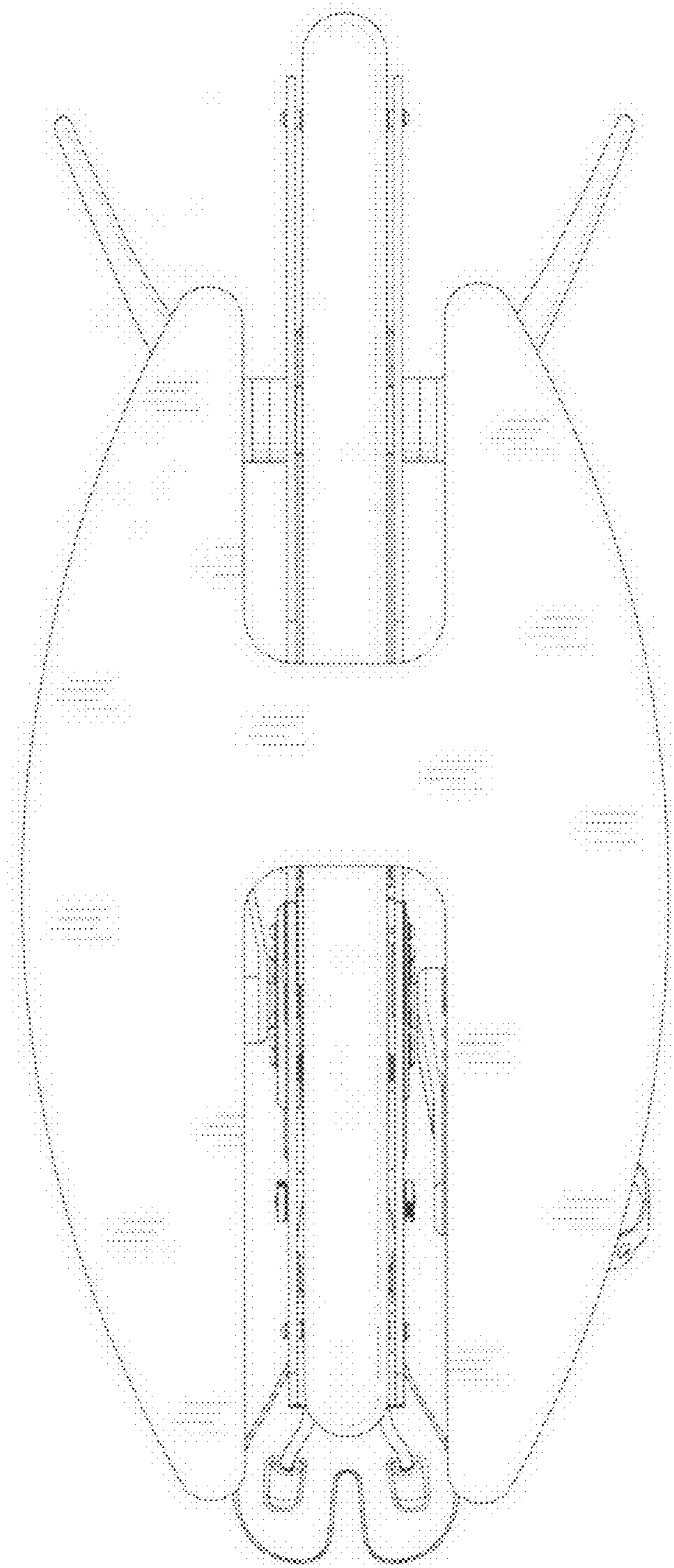
*Fig. 4*



*Fig. 5*



*Fig. 6*



*Fig. 7*