

US00D655353S

(12) **United States Design Patent**  
**Hara et al.**

(10) **Patent No.:** **US D655,353 S**  
(45) **Date of Patent:** **\*\* Mar. 6, 2012**

(54) **TOY SWORD**

(75) Inventors: **Noboru Hara**, Tokyo (JP); **Takamichi Murayama**, Tokyo (JP); **Reina Kukutsu**, Tokyo (JP); **Takaaki Utsunomiya**, Tokyo (JP); **Takashi Kunita**, Tokyo (JP)

(73) Assignee: **Bandai Co., Ltd.**, Tokyo (JP)

(\*\*) Term: **14 Years**

(21) Appl. No.: **29/371,565**

(22) Filed: **Apr. 26, 2011**

(30) **Foreign Application Priority Data**

Nov. 26, 2010 (JP) ..... 2010-028320

(51) **LOC (9) Cl.** ..... **21-01**

(52) **U.S. Cl.** ..... **D21/568**

(58) **Field of Classification Search** ..... D21/567, D21/568; D22/117, 118; D8/97-99, 102-104, D8/107, 300, 305, 347; D7/649-652; 30/162, 30/286, 295, 299, 346; 482/12; 446/15, 446/153, 175, 197, 219, 405, 473

See application file for complete search history.

(56) **References Cited**

U.S. PATENT DOCUMENTS

D380,520	S	*	7/1997	Hibben	.....	D22/118
D452,895	S	*	1/2002	Rae et al.	.....	D22/118
D457,579	S	*	5/2002	Yiu	.....	D21/568
D461,217	S	*	8/2002	Hall et al.	.....	D22/118
D461,868	S	*	8/2002	Hall et al.	.....	D22/118
D474,829	S	*	5/2003	Rae	.....	D22/118
D495,394	S	*	8/2004	Rae	.....	D22/118

\* cited by examiner

*Primary Examiner* — Cyntia M Chin

(74) *Attorney, Agent, or Firm* — Rabin & Berdo, PC

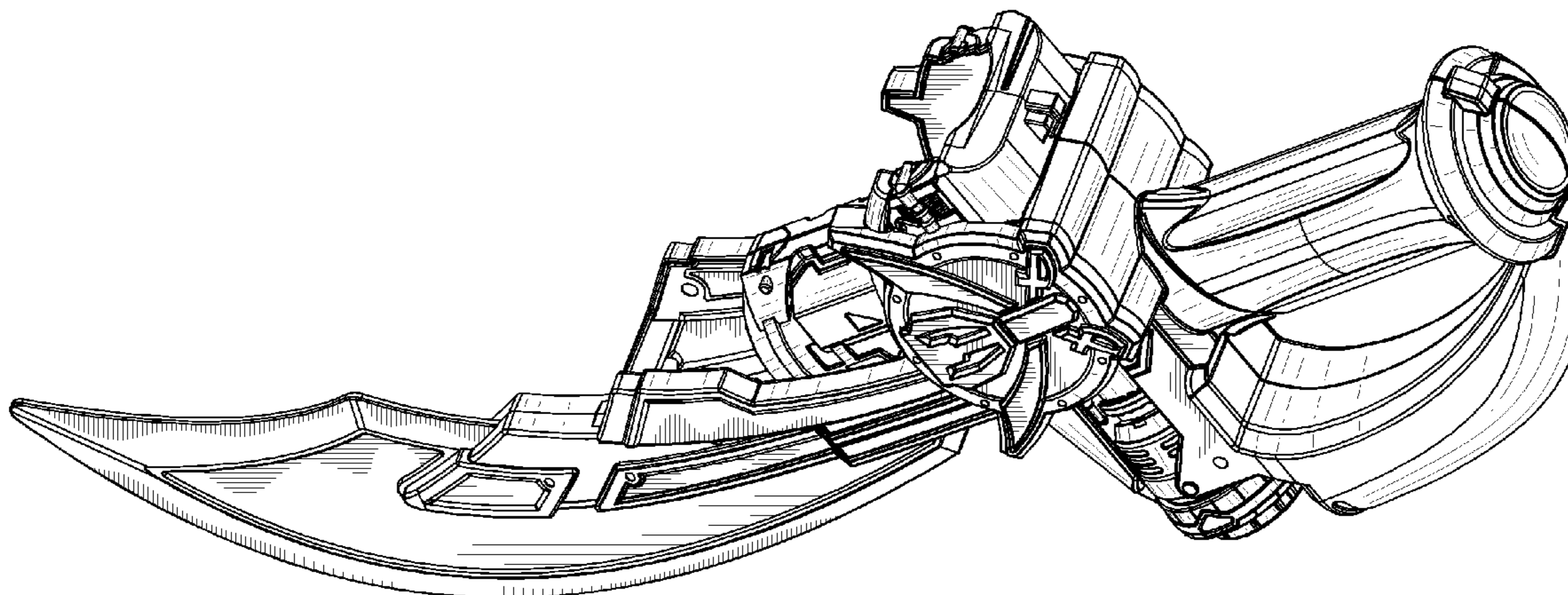
(57) **CLAIM**

The ornamental design for a toy sword, as shown and described.

**DESCRIPTION**

FIG. 1 is a front view of the toy sword;  
FIG. 2 is a rear view thereof;  
FIG. 3 is a right side view thereof;  
FIG. 4 is a left side view thereof;  
FIG. 5 is a top view thereof;  
FIG. 6 is a bottom view thereof;  
FIG. 7 is a perspective view thereof; and,  
FIG. 8 is another perspective view thereof.

**1 Claim, 8 Drawing Sheets**



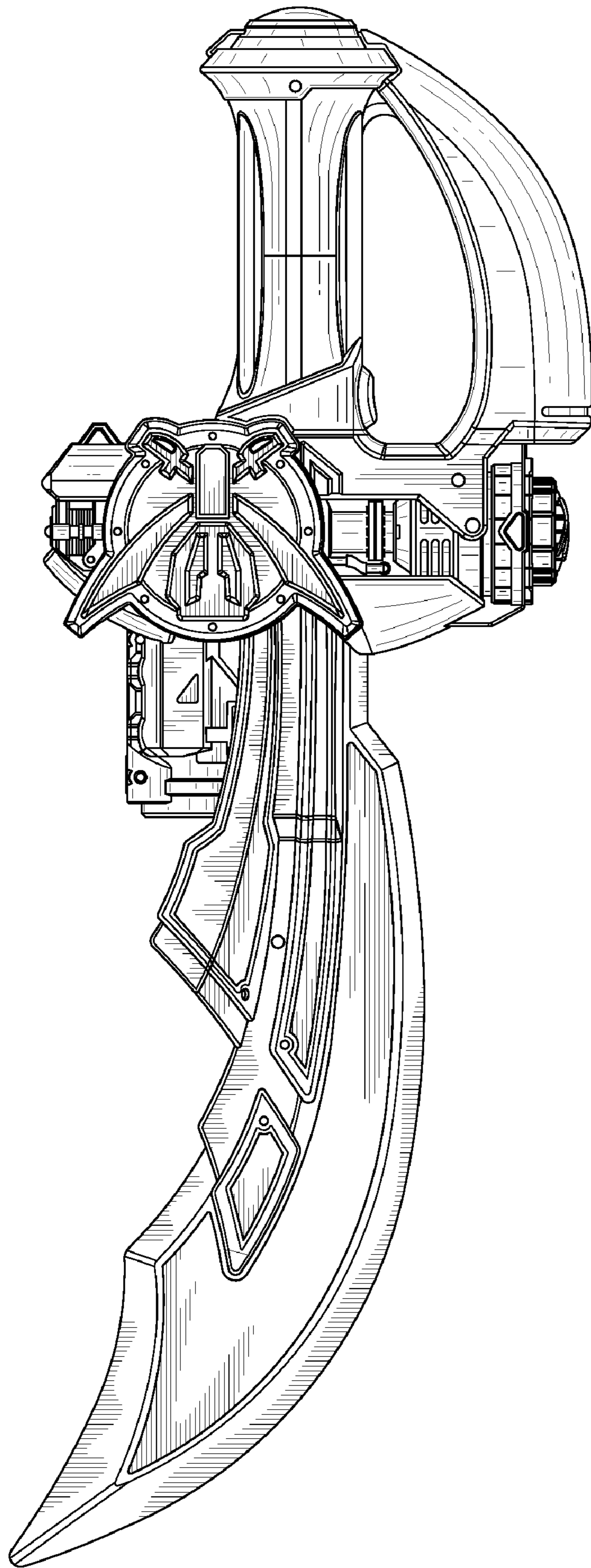


FIG. 1

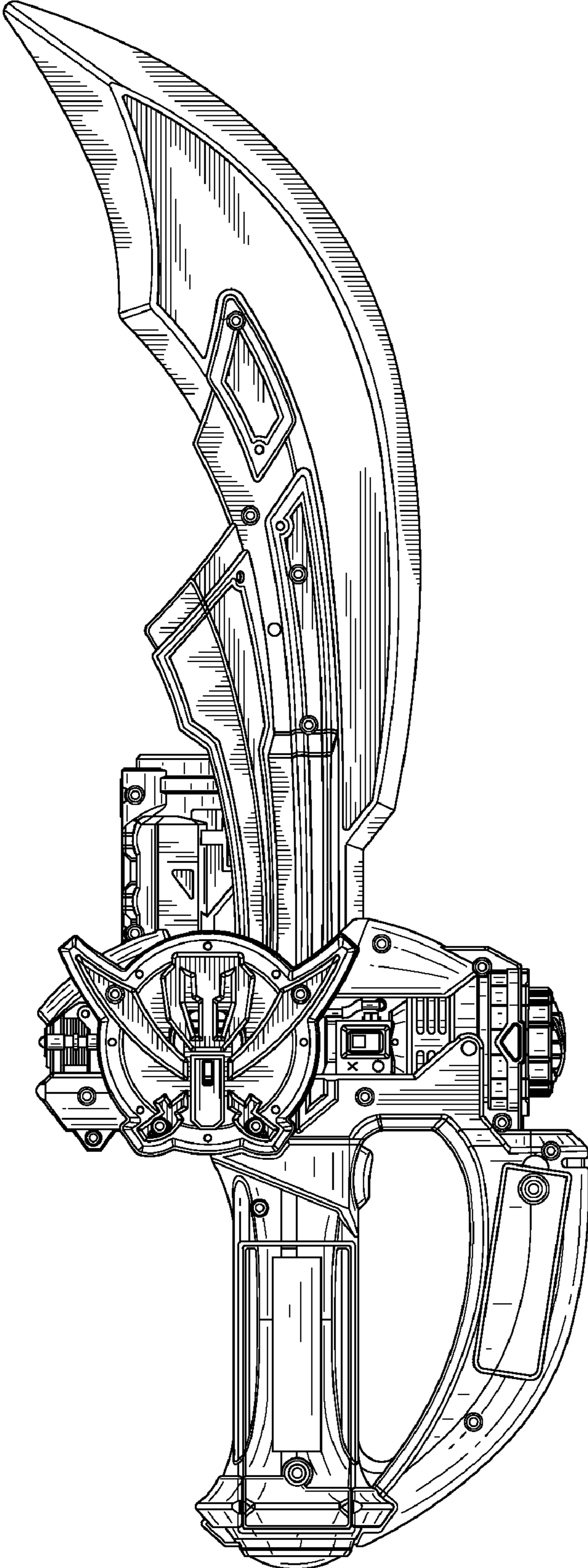


FIG. 2

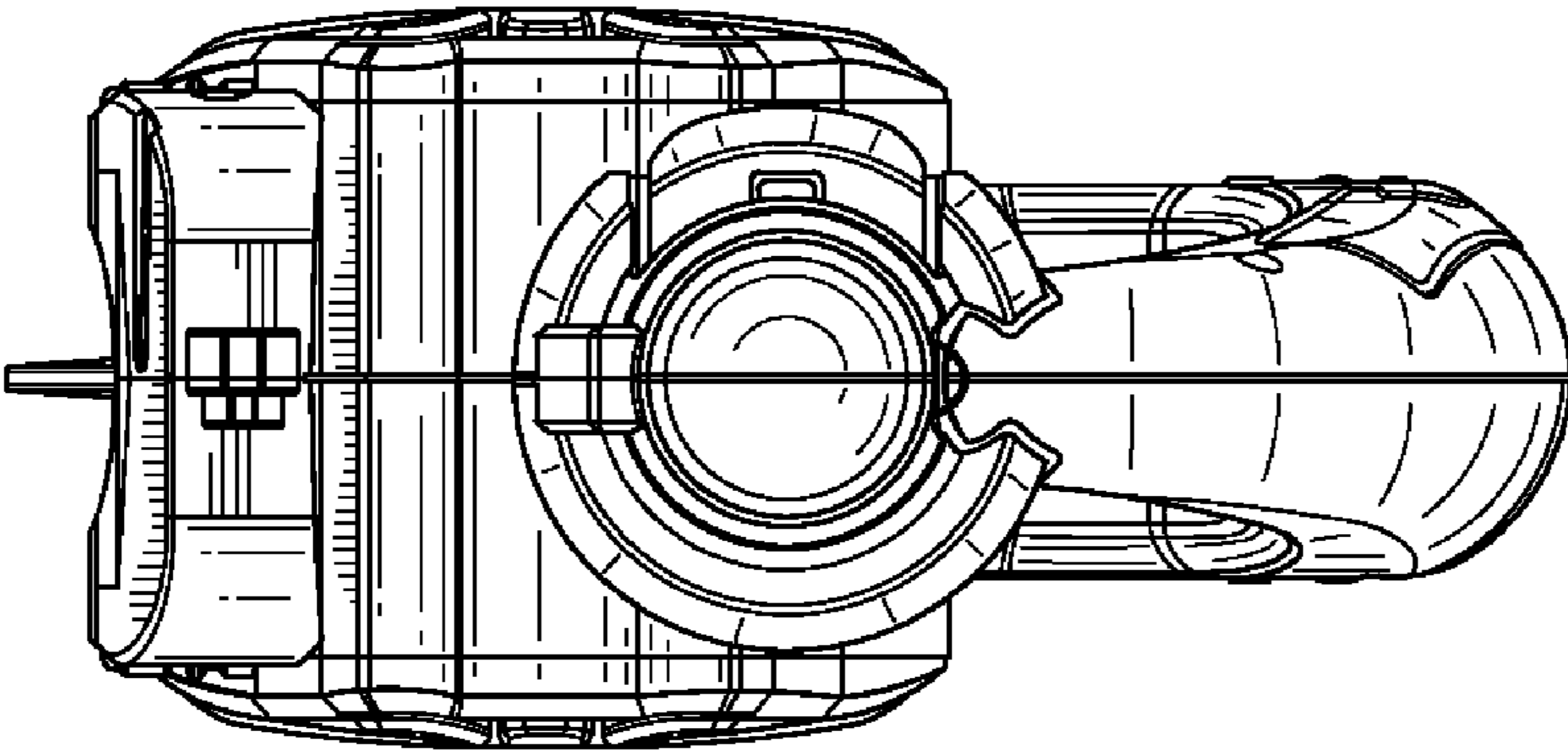


FIG. 3



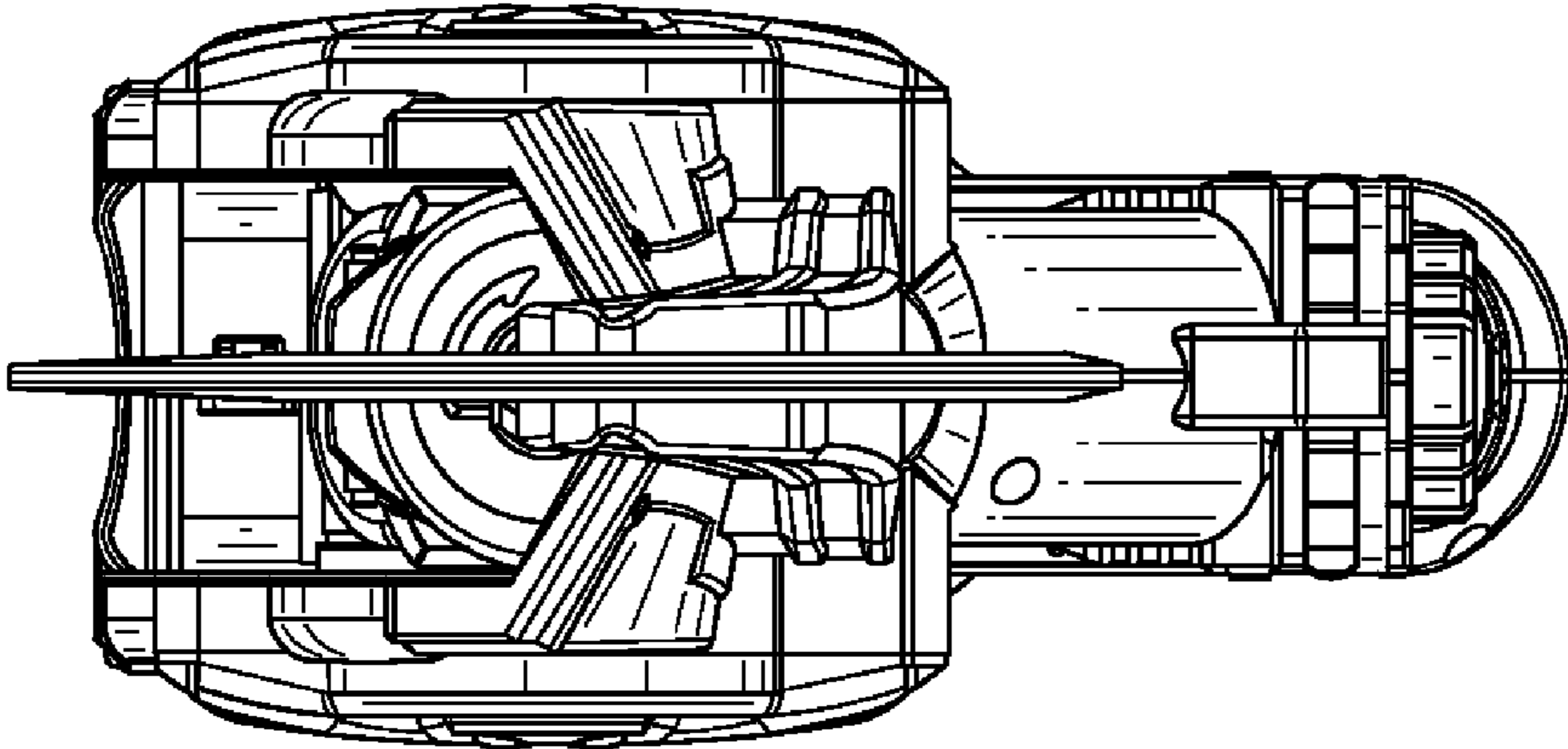


FIG. 4

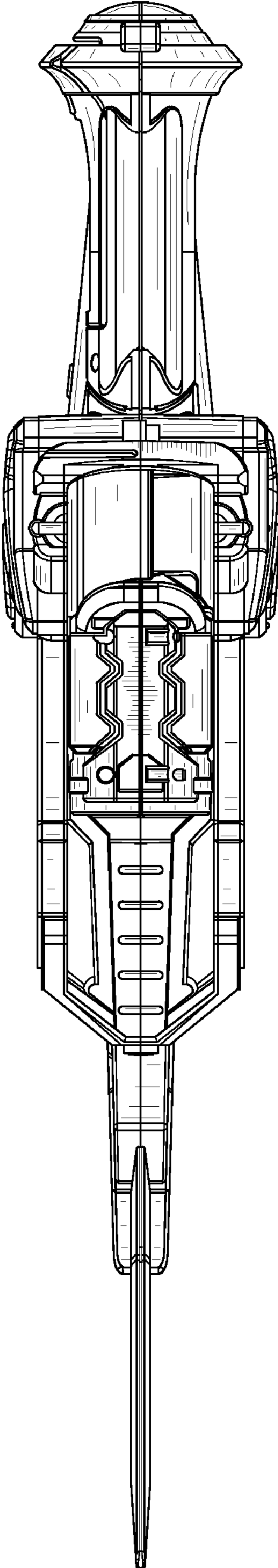


FIG. 5

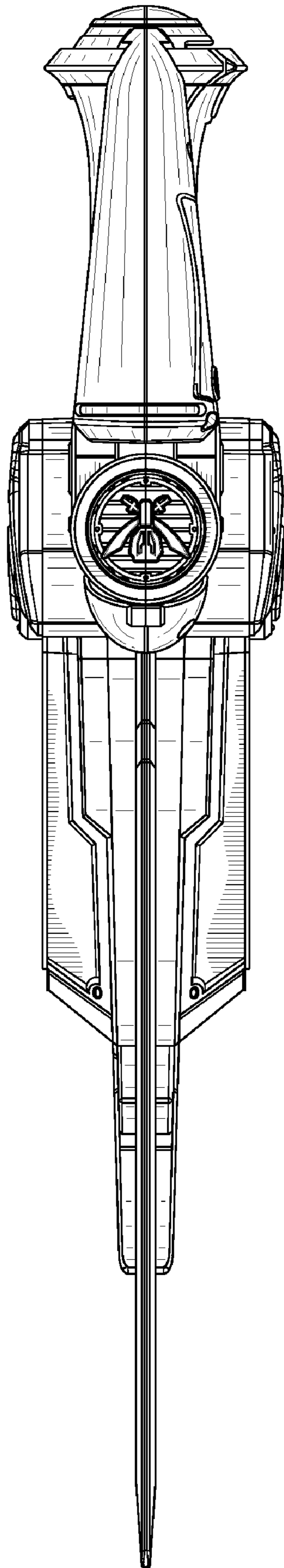


FIG. 6

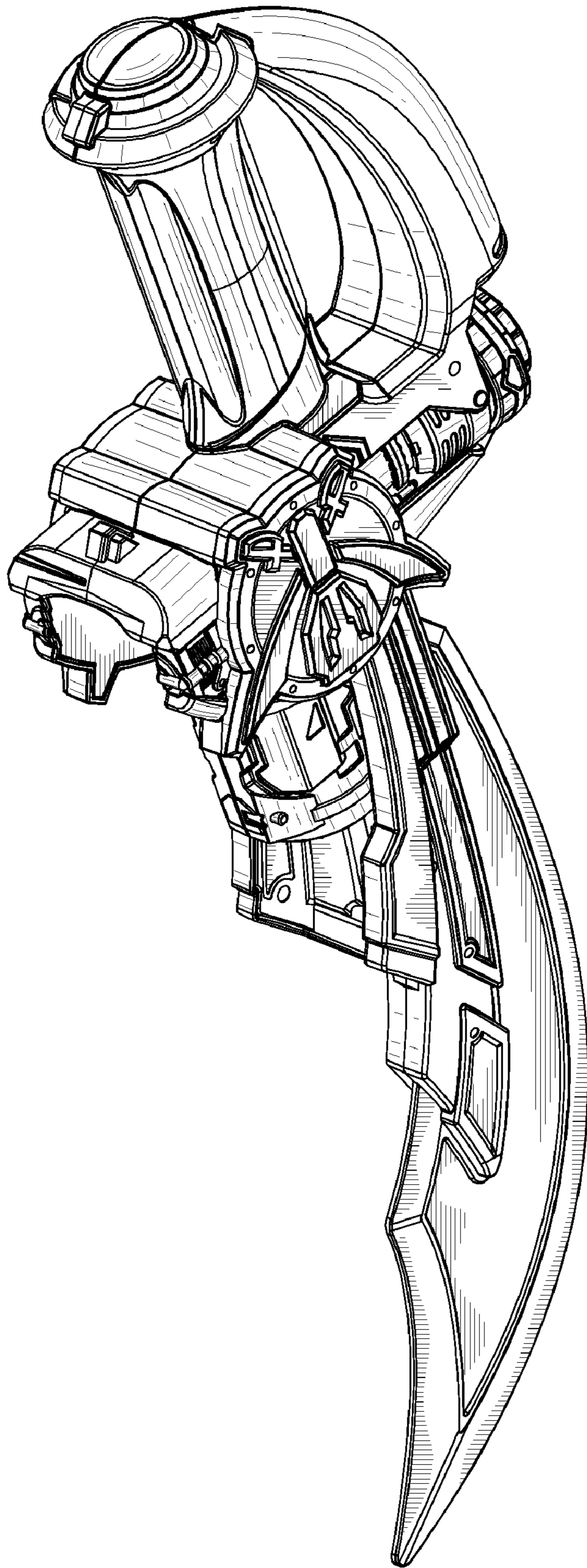


FIG. 7



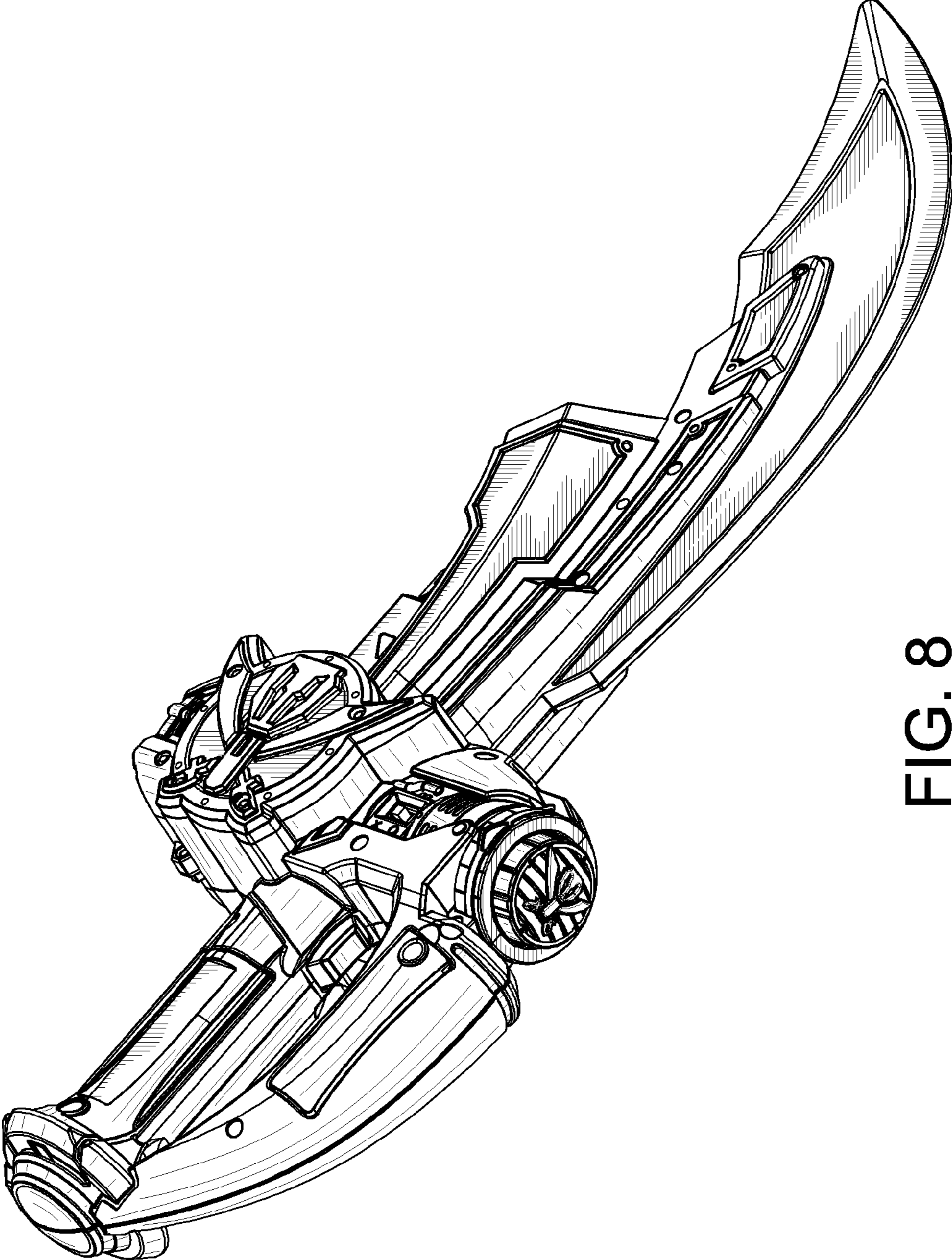


FIG. 8