



US00D655351S

(12) **United States Design Patent**  
**Zenri et al.**

(10) **Patent No.:** **US D655,351 S**  
(45) **Date of Patent:** **\*\* Mar. 6, 2012**

(54) **ELECTRONIC COMPUTER STAND**

(75) Inventors: **Yuko Zenri**, Kyoto (JP); **Hideaki Kamata**, Kyoto (JP)

(73) Assignee: **Nintendo Co., Ltd.**, Kyoto (JP)

(\*\*) Term: **14 Years**

(21) Appl. No.: **29/404,280**

(22) Filed: **Oct. 18, 2011**

**Related U.S. Application Data**

(62) Division of application No. 29/380,751, filed on Dec. 10, 2010.

**Foreign Application Priority Data**

Jun. 11, 2010 (JP) ..... 2010014467  
Nov. 22, 2010 (JP) ..... 2010027962

(51) **LOC (9) Cl.** ..... **21-01**

(52) **U.S. Cl.** ..... **D21/333**

(58) **Field of Classification Search** ..... D21/324-333,  
D21/369, 385; 273/148 B, 148 R, 461; D14/495,  
D14/338, 339, 348, 356, 432, 433, 471, 474,  
D14/137, 160, 168, 188-181, 203.1-203.8,  
D14/219, 265, 257; 345/156-161, 1.1;  
455/344-351; 369/6-12; 463/1, 29-35,  
463/46, 47; 16/321, 337; 248/176.1, 915,  
248/921; 285/188, 231-234, 304, 330

See application file for complete search history.

(56) **References Cited**

U.S. PATENT DOCUMENTS  
4,542,103 A 9/1985 Adams  
(Continued)

FOREIGN PATENT DOCUMENTS

AU 155141 11/2001

OTHER PUBLICATIONS

Russian Official Action (w/English translation) dated May 11, 2011 for Application No. 2010503597, filed Sep. 12, 2010.

(Continued)

*Primary Examiner* — Prabhakar Deshmukh

(74) *Attorney, Agent, or Firm* — Nixon & Vanderhye, P.C.

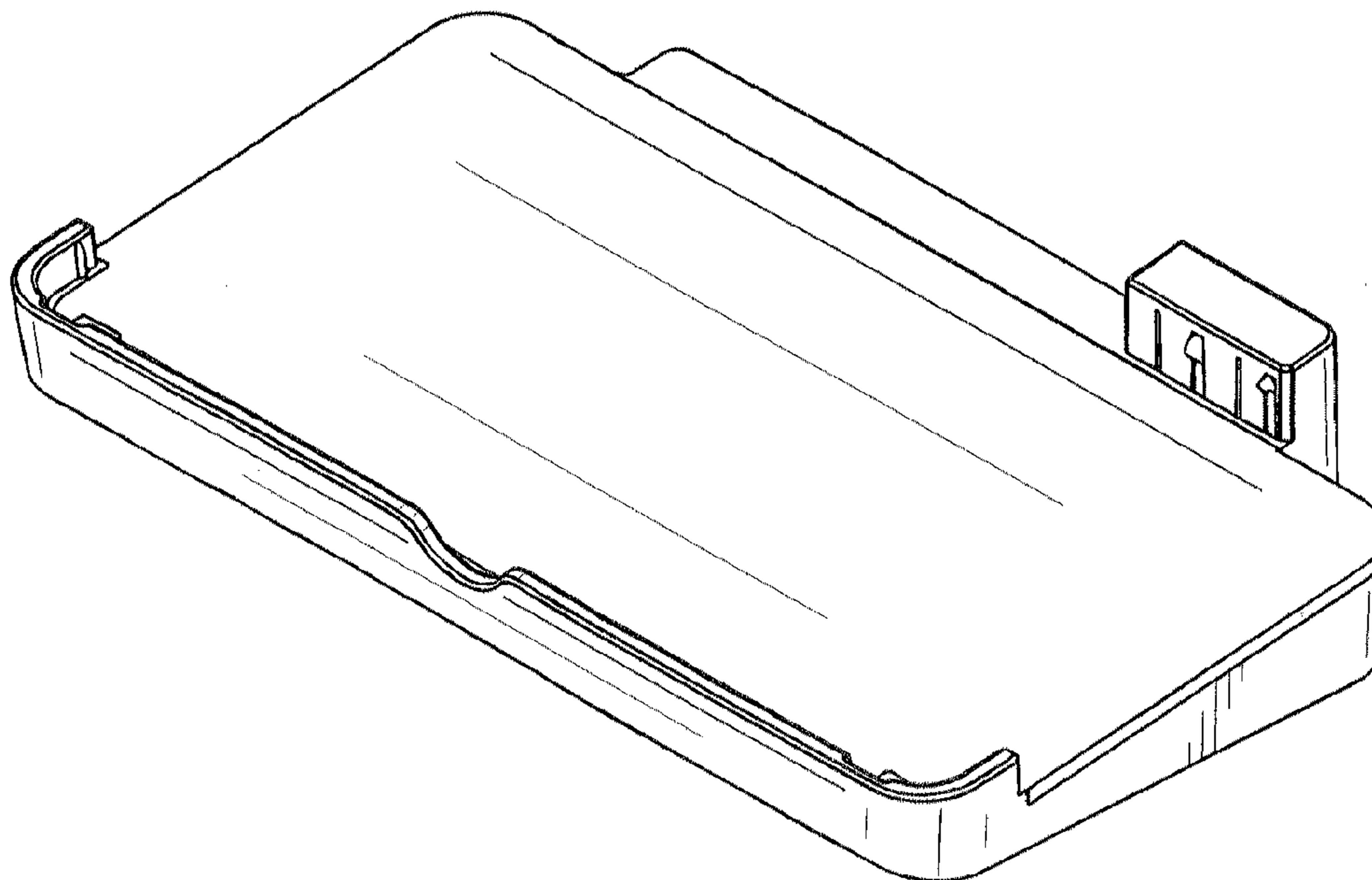
(57) **CLAIM**

The ornamental design for an electronic computer stand, as shown and described.

**DESCRIPTION**

FIG. 1 is a front, right and bottom perspective view of an electronic computer stand showing our new design; FIG. 2 is a rear, left and top perspective view thereof; FIG. 3 is a front elevational view thereof; FIG. 4 is a rear elevational view thereof; FIG. 5 is a top plan view thereof; FIG. 6 is a bottom plan view thereof; FIG. 7 is a left side elevational view thereof; FIG. 8 is a right side elevational view thereof; FIG. 9 is a front, right and bottom perspective view thereof showing the article in its environmental use; and, FIG. 10 is a rear, left and top perspective view thereof showing the article in its environmental use. The broken lines environment is for illustrative purposes and forms no part of the claimed design.

**1 Claim, 4 Drawing Sheets**



# US D655,351 S

Page 2

## U.S. PATENT DOCUMENTS

5,168,423 A 12/1992 Ohgami et al.  
D378,677 S \* 4/1997 Matsumoto et al. .... D14/496  
5,873,554 A 2/1999 Nobuchi  
6,085,204 A \* 7/2000 Chijiwa et al. .... 715/246  
D433,021 S \* 10/2000 Shibata ..... D14/356  
6,307,535 B1 \* 10/2001 Kim et al. .... 345/157  
6,498,721 B1 12/2002 Kim  
6,587,333 B2 7/2003 Tseng et al.  
D484,918 S 1/2004 Okada et al.  
6,771,494 B2 8/2004 Shimano  
6,850,407 B2 \* 2/2005 Tanimoto et al. .... 361/679.27  
6,958,902 B2 10/2005 Tseng et al.  
D524,870 S 7/2006 Sugino et al.  
D532,051 S 11/2006 Sugino et al.  
D543,246 S 5/2007 Ashida et al.  
D554,194 S \* 10/2007 Ehara et al. .... D21/330  
D555,667 S 11/2007 Hussaini et al.  
D556,836 S 12/2007 Ashida et al.

D574,383 S 8/2008 Maruyama et al.  
D575,350 S 8/2008 Ashida et al.  
D582,486 S 12/2008 Ashida et al.  
D588,139 S 3/2009 Fujino et al.  
D589,962 S 4/2009 Maruyama et al.  
D589,965 S 4/2009 Ashida et al.  
D598,920 S 8/2009 Fujino et al.  
D605,233 S 12/2009 Ashida et al.  
D607,946 S 1/2010 Ehara et al.  
D641,049 S 7/2011 Ehara et al.  
2010/0170216 A1 7/2010 Venkataraman et al.  
2010/0170251 A1 7/2010 Davis, Jr. et al.

## OTHER PUBLICATIONS

Note: With respect to the non-English language AU 155141 patent, applicants rely on the patent drawings and translated Office Action (included herewith) as statements of relevance.

\* cited by examiner

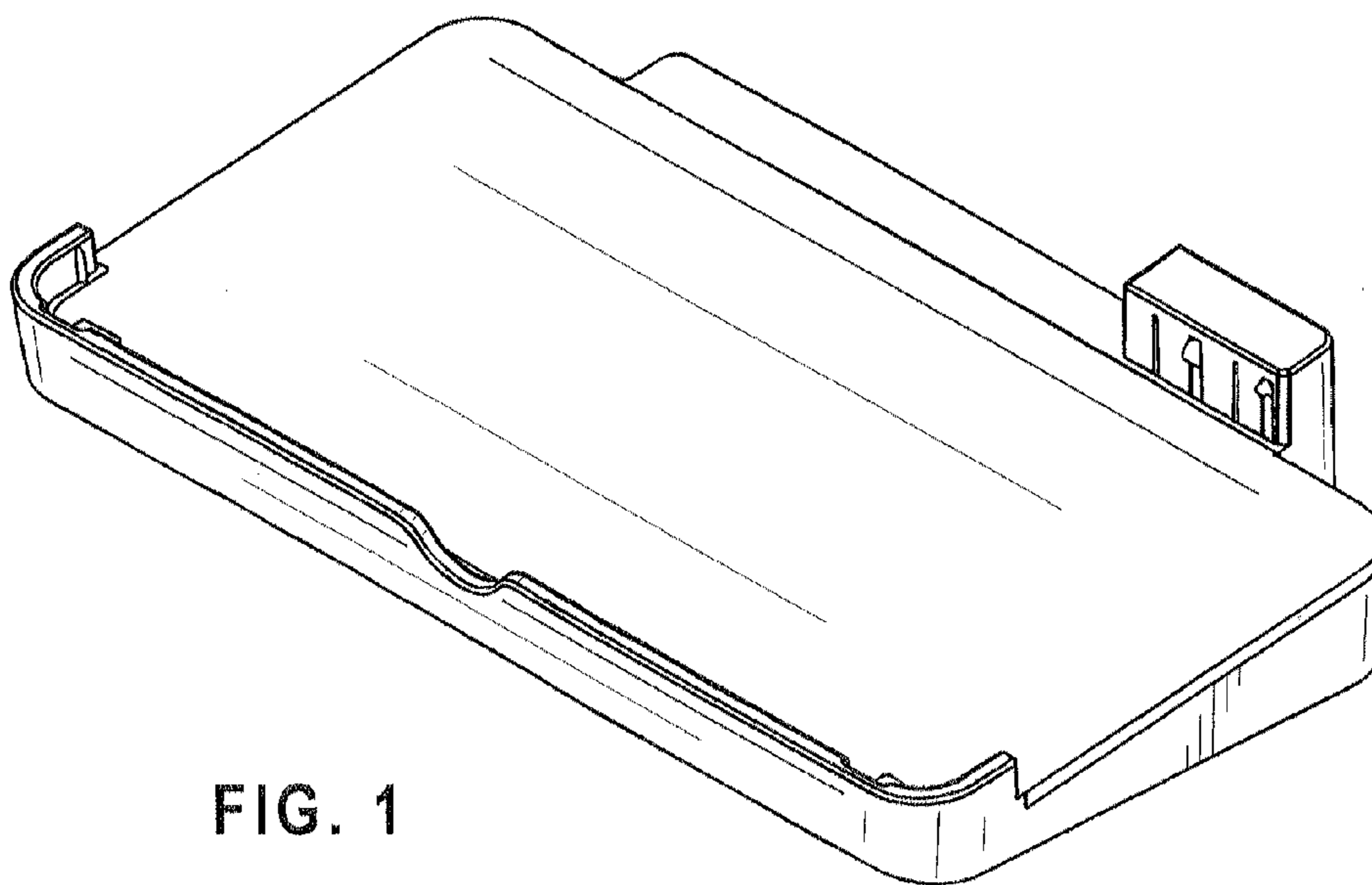


FIG. 1

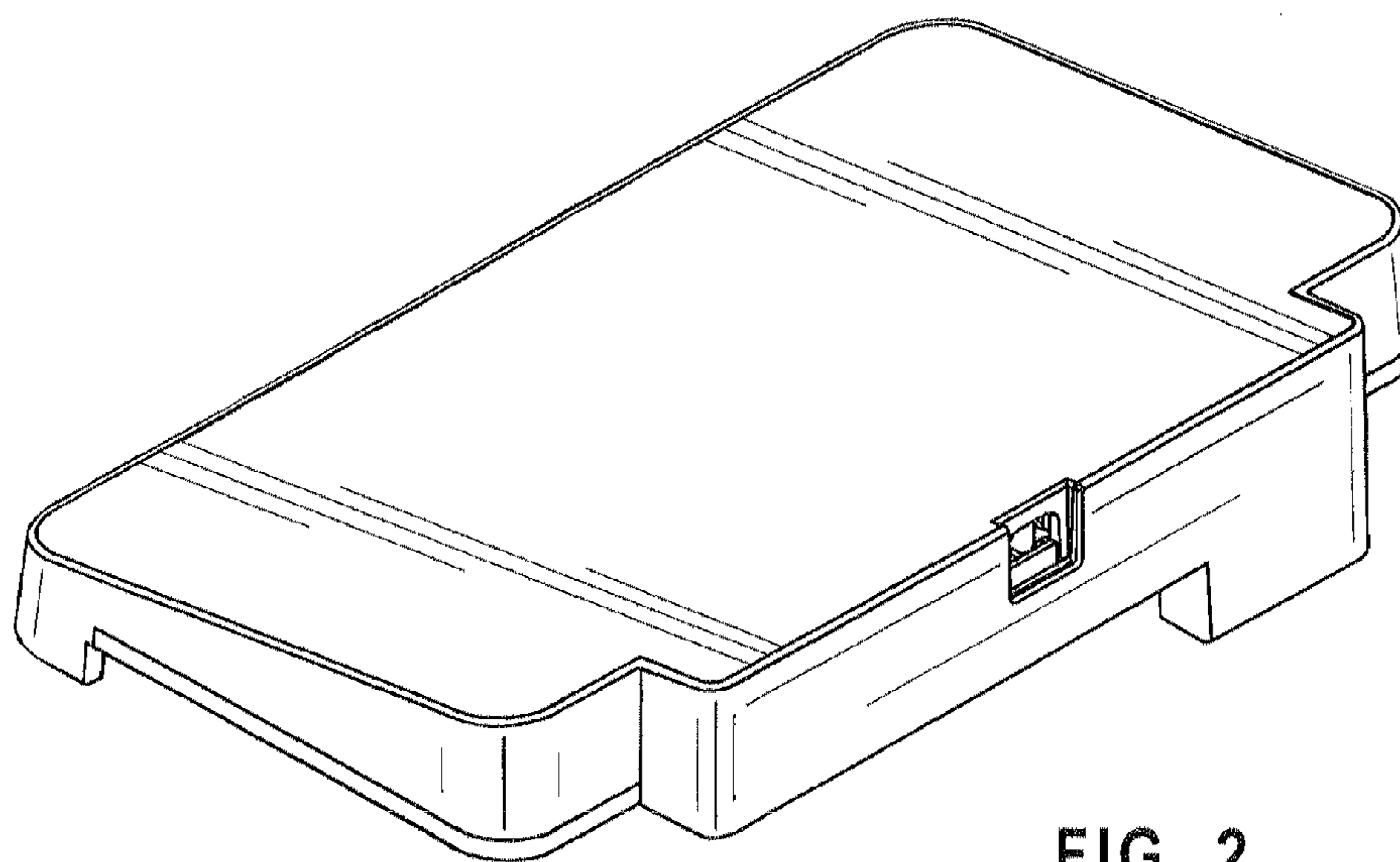


FIG. 2

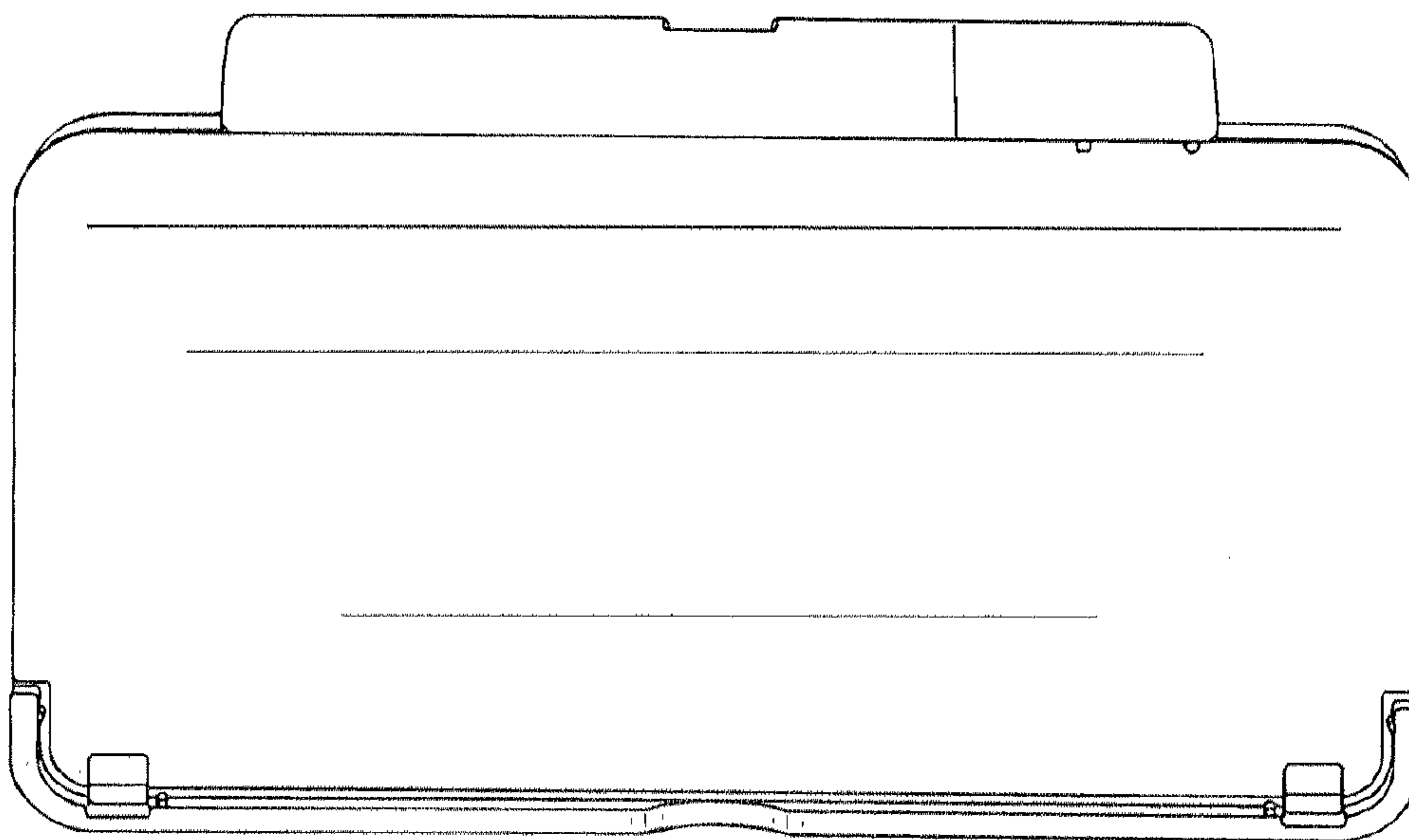


FIG. 3

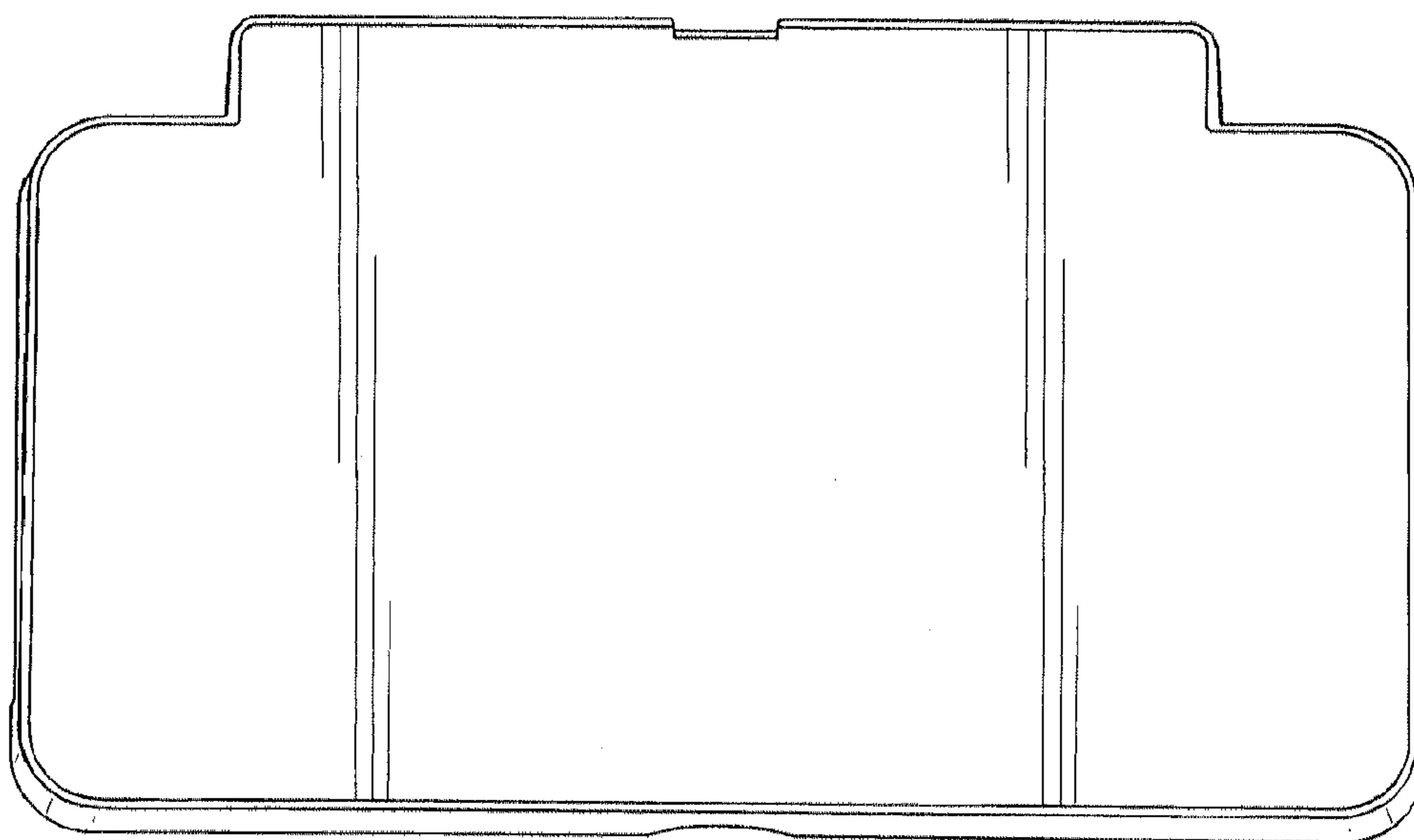


FIG. 4

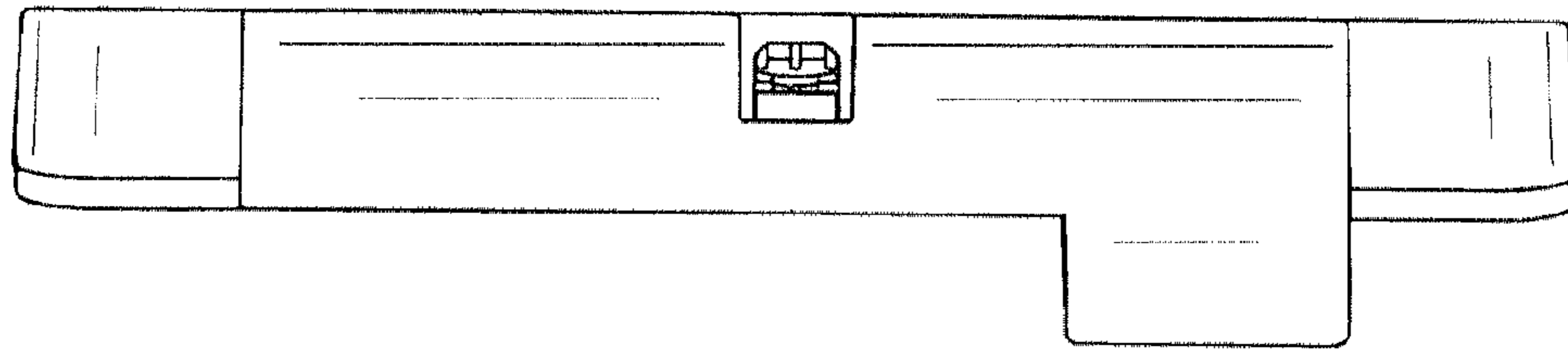


FIG. 5

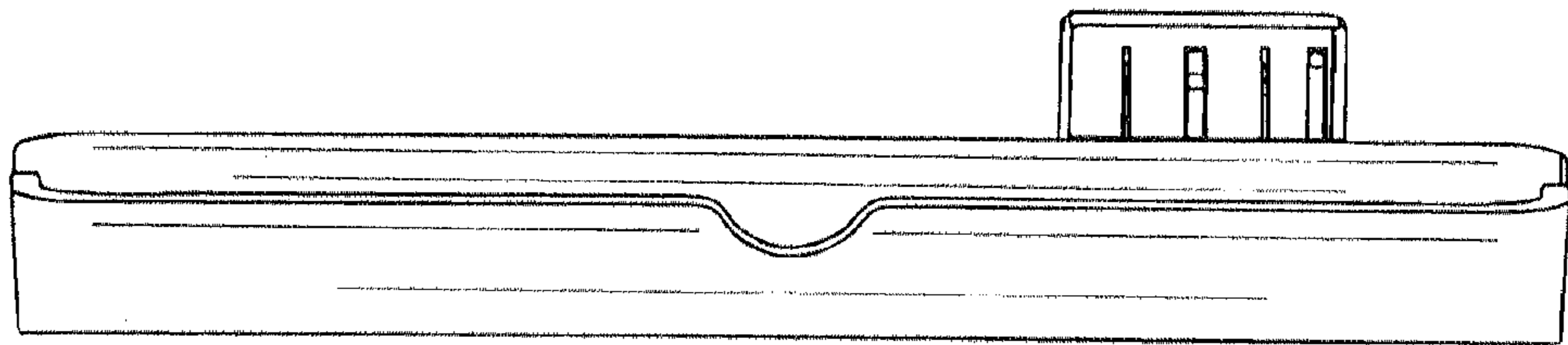


FIG. 6

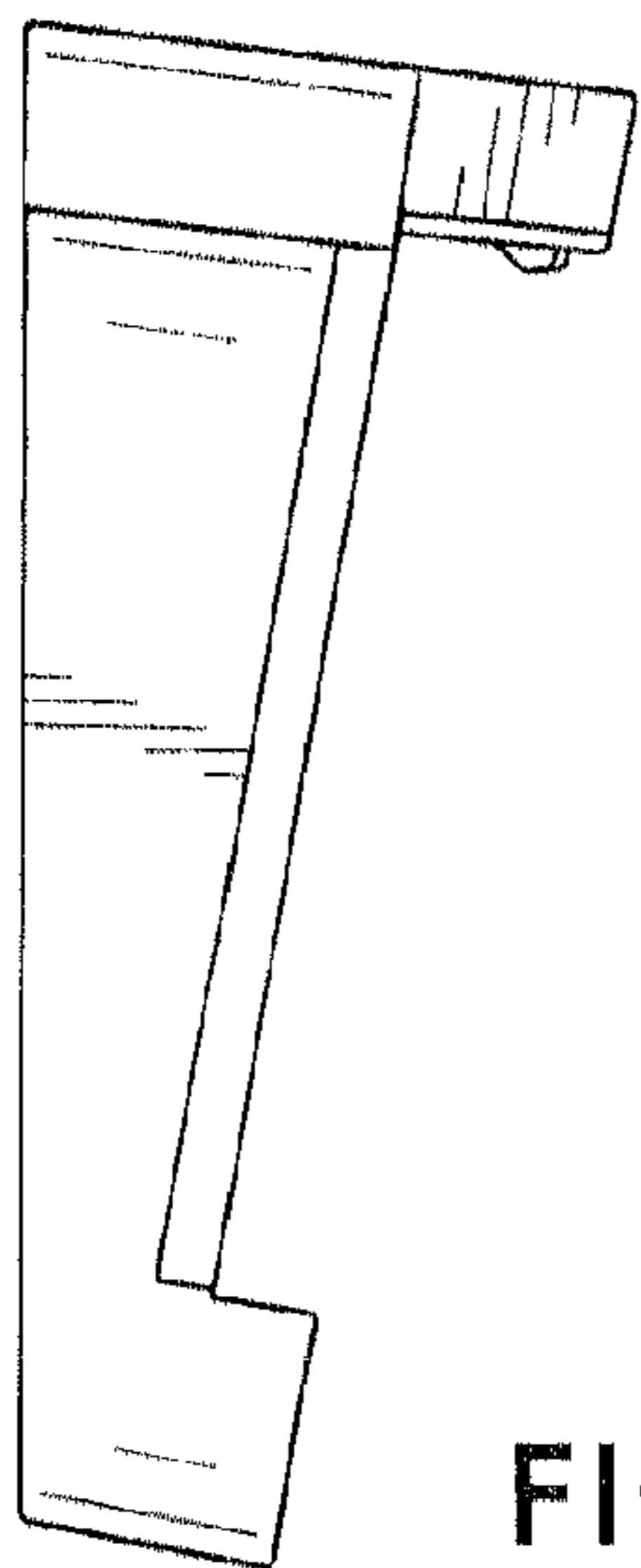


FIG. 7



FIG. 8

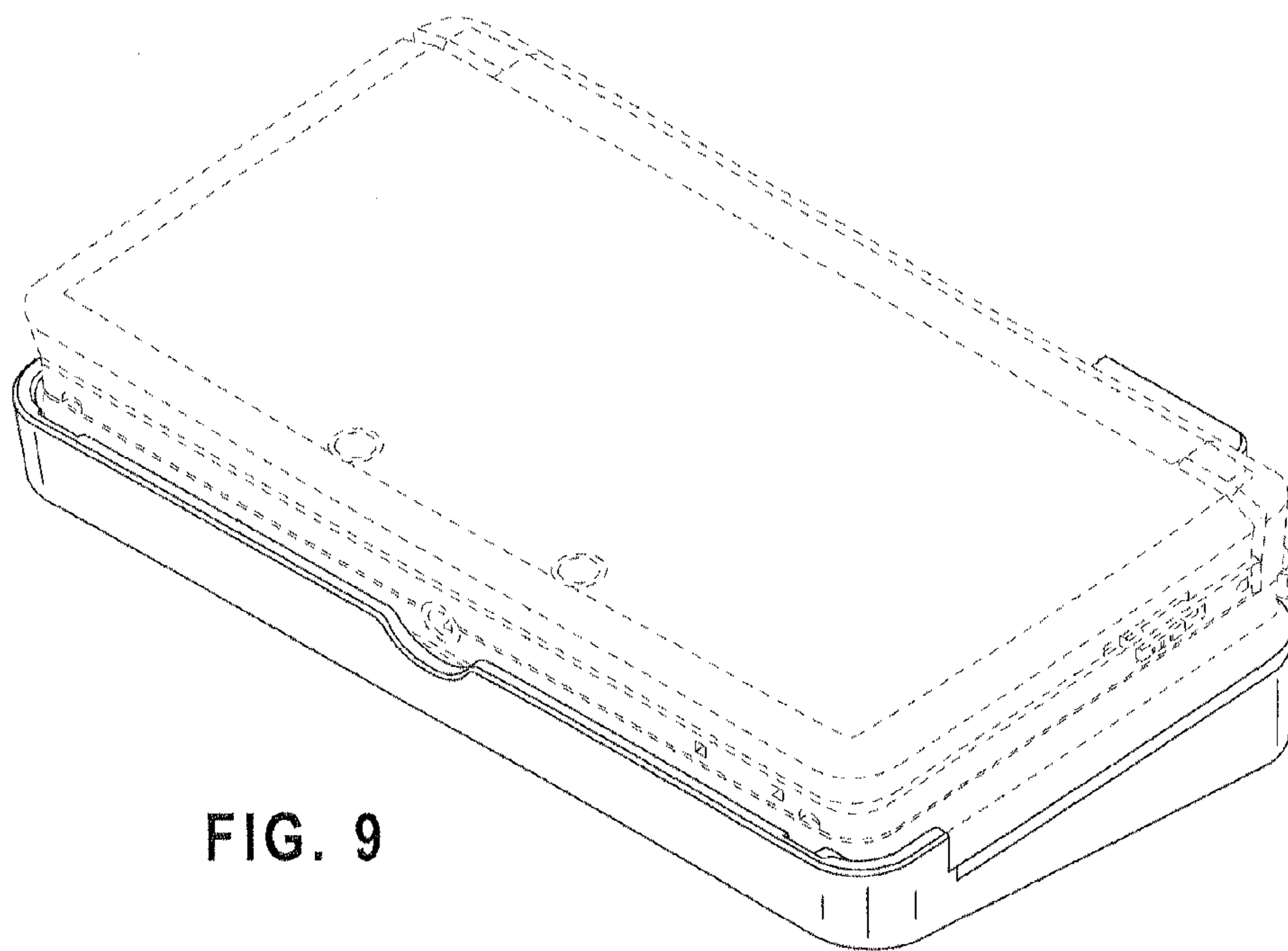


FIG. 9

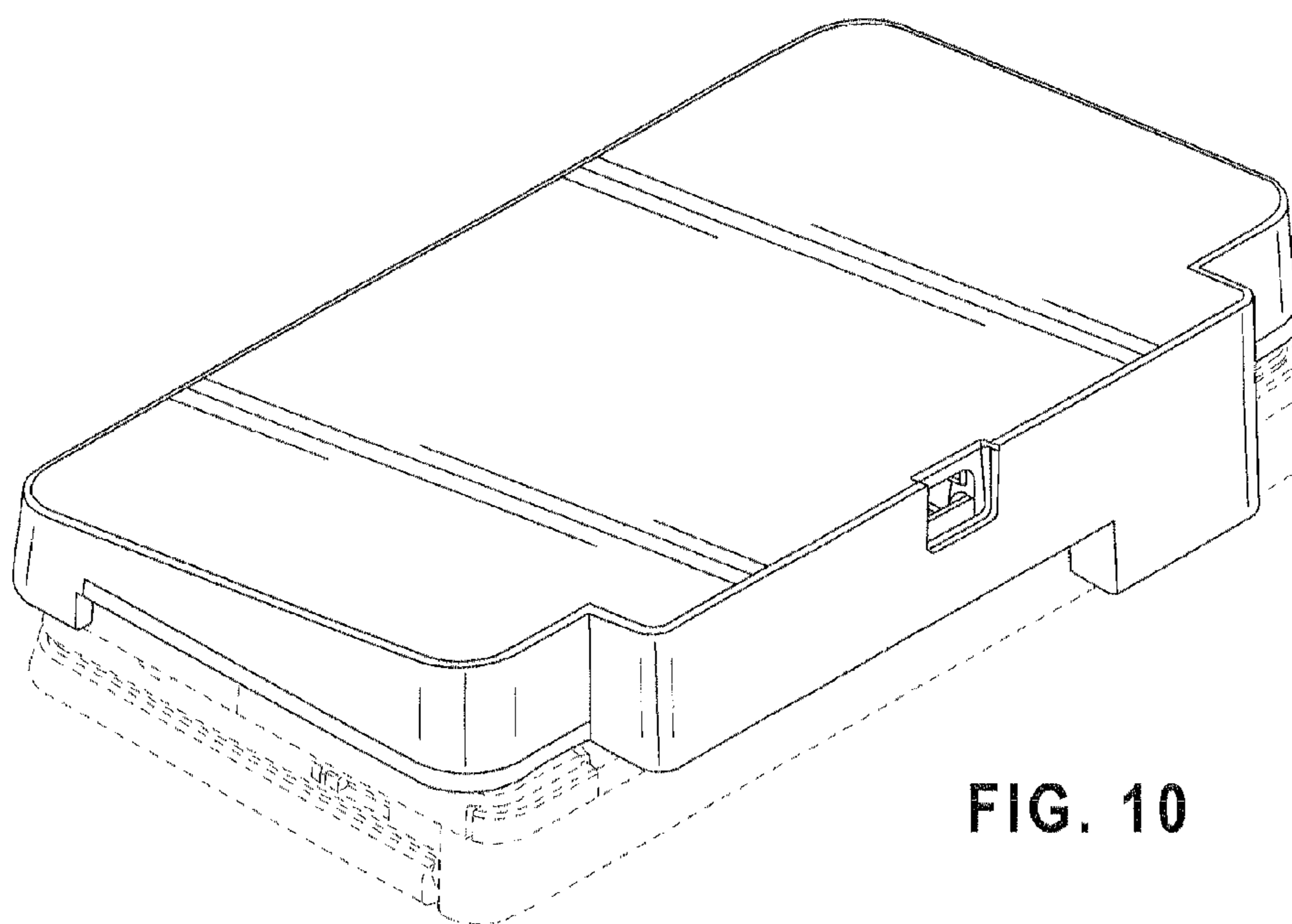


FIG. 10