

US00D655350S

(12) **United States Design Patent**
Taniguchi et al.

(10) **Patent No.:** **US D655,350 S**
(45) **Date of Patent:** **** Mar. 6, 2012**

(54) **OPERATING KNOB FOR PORTABLE ELECTRONIC COMPUTER**

(75) Inventors: **Yuki Taniguchi**, Kyoto (JP); **Junichiro Miyatake**, Kyoto (JP)

(73) Assignee: **Nintendo Co., Ltd.**, Kyoto (JP)

(**) Term: **14 Years**

(21) Appl. No.: **29/380,736**

(22) Filed: **Dec. 10, 2010**

(30) **Foreign Application Priority Data**

Jun. 11, 2010 (JP) 2010-014463
Jun. 11, 2010 (JP) 2010-014469
Nov. 22, 2010 (JP) 2010-027959

(51) **LOC (9) Cl.** **21-01**

(52) **U.S. Cl.** **D21/333; D21/329**

(58) **Field of Classification Search** D21/324–333;
273/148 B; 463/1, 29–35, 43–51; D14/412–416;
345/156–161

See application file for complete search history.

(56) **References Cited**

U.S. PATENT DOCUMENTS

D307,921 S 5/1990 Barr
D338,242 S 8/1993 Cordell
D351,430 S 10/1994 Barr
5,476,261 A * 12/1995 Hultstrand 273/148 B
5,486,845 A * 1/1996 Chait 345/163
D376,826 S 12/1996 Ashida
5,697,612 A * 12/1997 Piotrowski et al. 273/127 R
5,805,141 A * 9/1998 Hsu 345/161
5,812,116 A * 9/1998 Malhi 345/168
5,823,057 A * 10/1998 Hsien 74/471 XY
D408,366 S * 4/1999 Popadiuk D13/158
D430,223 S * 8/2000 Goto D21/333
D431,606 S * 10/2000 Shimomura et al. D21/333
D456,410 S 4/2002 Ashida
D456,854 S 5/2002 Ashida
D459,727 S 7/2002 Ashida

D462,683 S 9/2002 Ashida
6,769,689 B1 * 8/2004 Shimomura et al. 273/148 B
D547,763 S * 7/2007 Hayes et al. D14/454
D556,201 S 11/2007 Ashida et al.
D556,760 S 12/2007 Ashida et al.
D559,254 S 1/2008 Ashida et al.
D567,243 S 4/2008 Ashida et al.
D568,882 S 5/2008 Ashida et al.
D568,883 S 5/2008 Ashida et al.
D570,349 S 6/2008 Ashida et al.
D575,284 S 8/2008 Ashida et al.
D575,285 S 8/2008 Ashida et al.
D576,624 S 9/2008 Ashida et al.
D577,025 S 9/2008 Ashida et al.
D579,015 S 10/2008 Ashida et al.
D620,939 S 8/2010 Suetake et al.
D636,773 S * 4/2011 Lin D14/401

* cited by examiner

Primary Examiner — Prabhakar Deshmukh

(74) *Attorney, Agent, or Firm* — Nixon & Vanderhye, P.C.

(57) **CLAIM**

The ornamental design for an operating knob for portable electronic computer, as shown and described.

DESCRIPTION

FIG. 1 is front, right and bottom perspective view of an operating knob for portable electronic computer showing our new design;

FIG. 2 is rear, left and top perspective view thereof;

FIG. 3 is a front view thereof;

FIG. 4 is a rear view thereof;

FIG. 5 is a top plan view thereof;

FIG. 6 is a bottom plan view thereof;

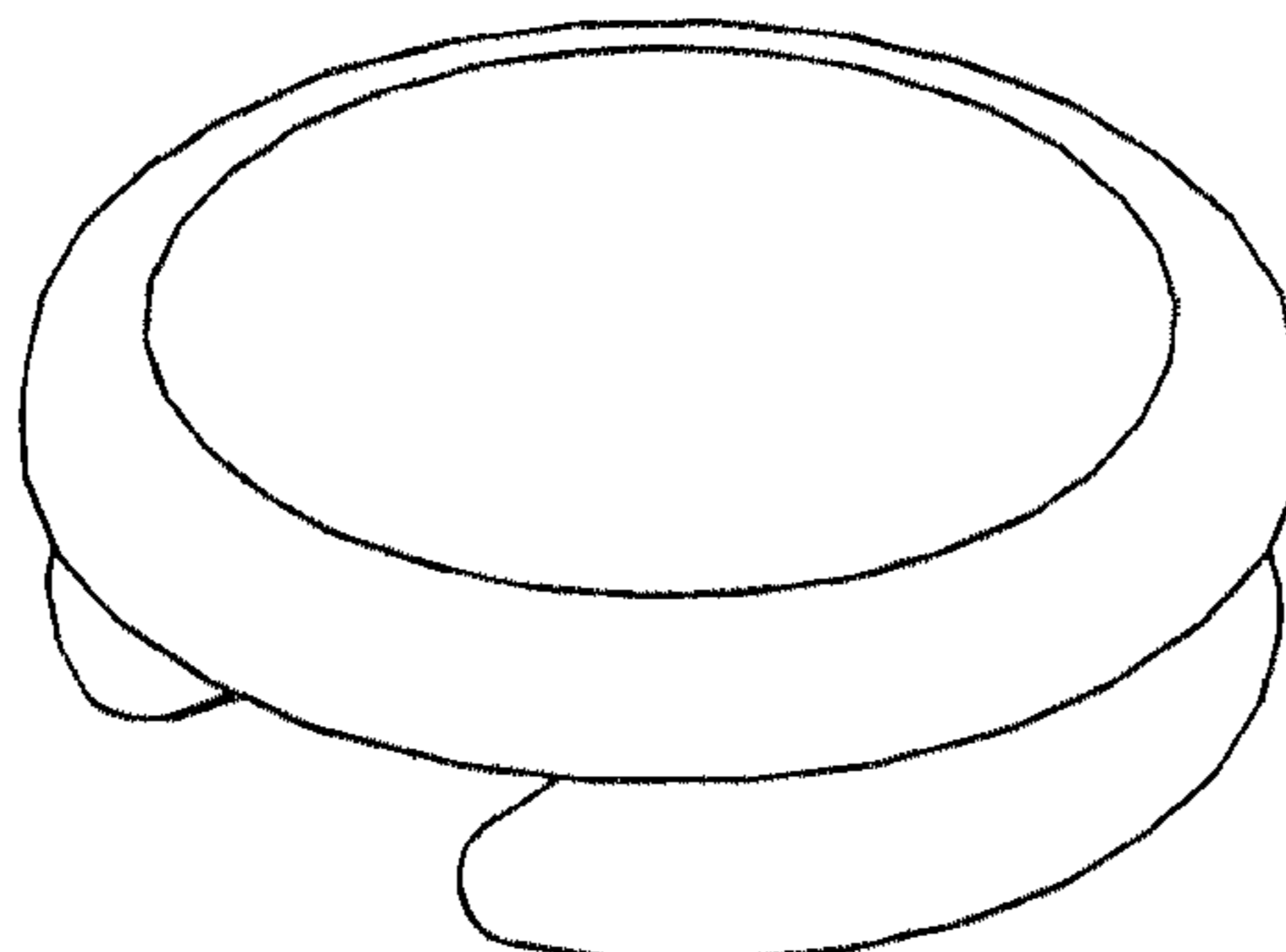
FIG. 7 is a left side view thereof;

FIG. 8 is a right side view thereof; and,

FIG. 9 is a reference perspective view showing the operating knob attached to a portable electronic computer.

The subject matter in FIG. 9 shown in broken-line format is for environmental purposes only and forms no part of the claimed design.

1 Claim, 2 Drawing Sheets



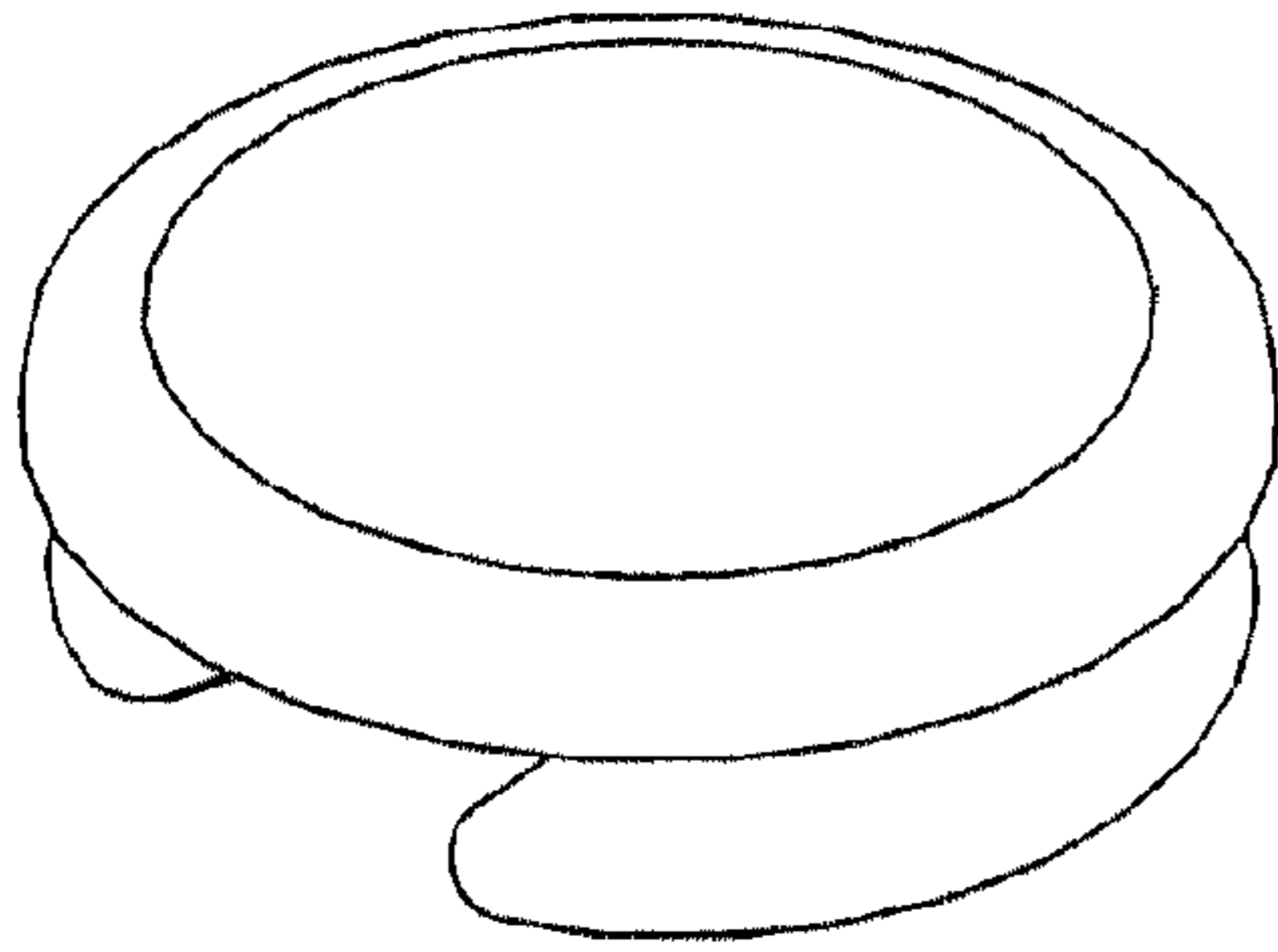


FIG. 1

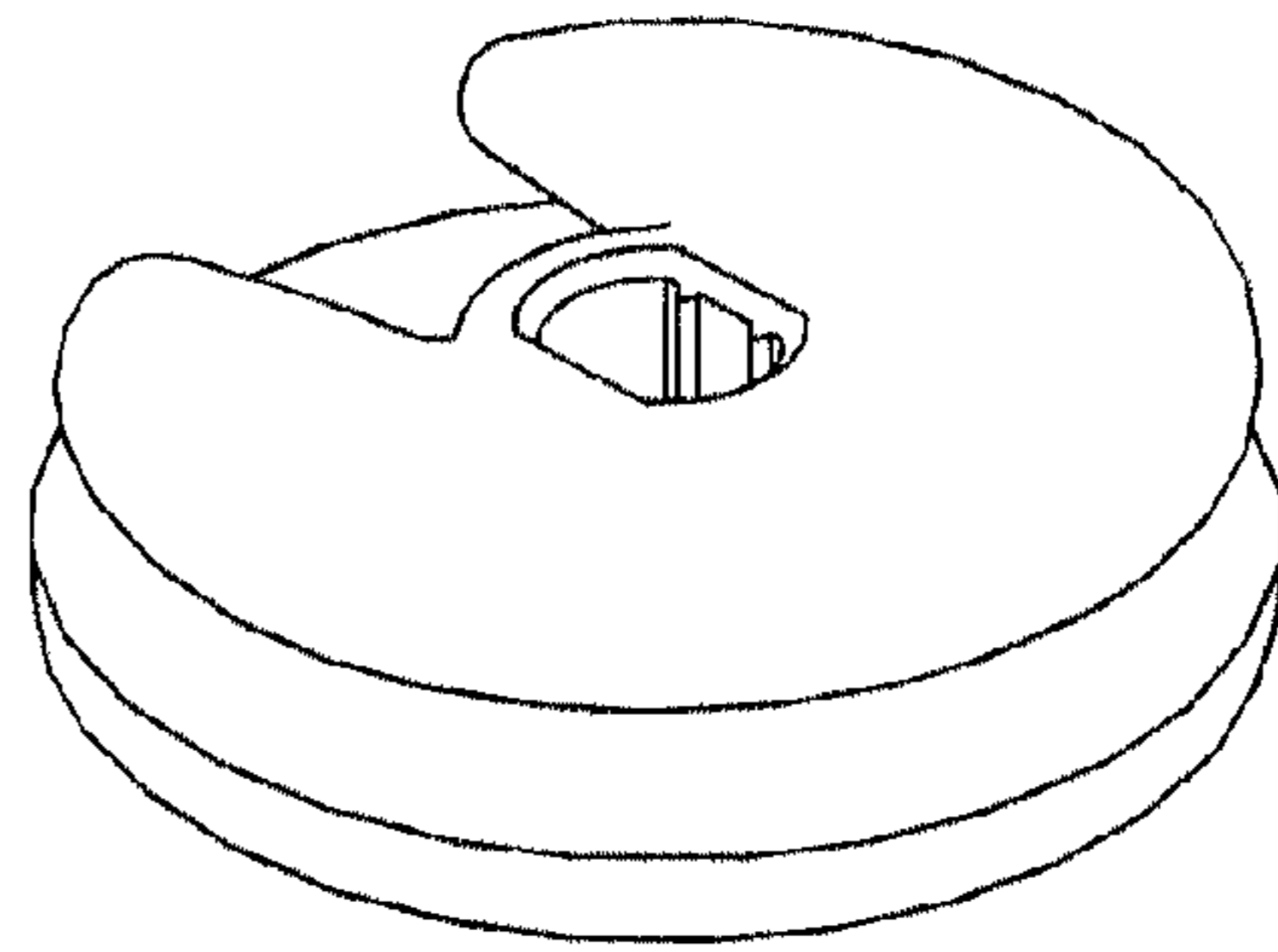


FIG. 2

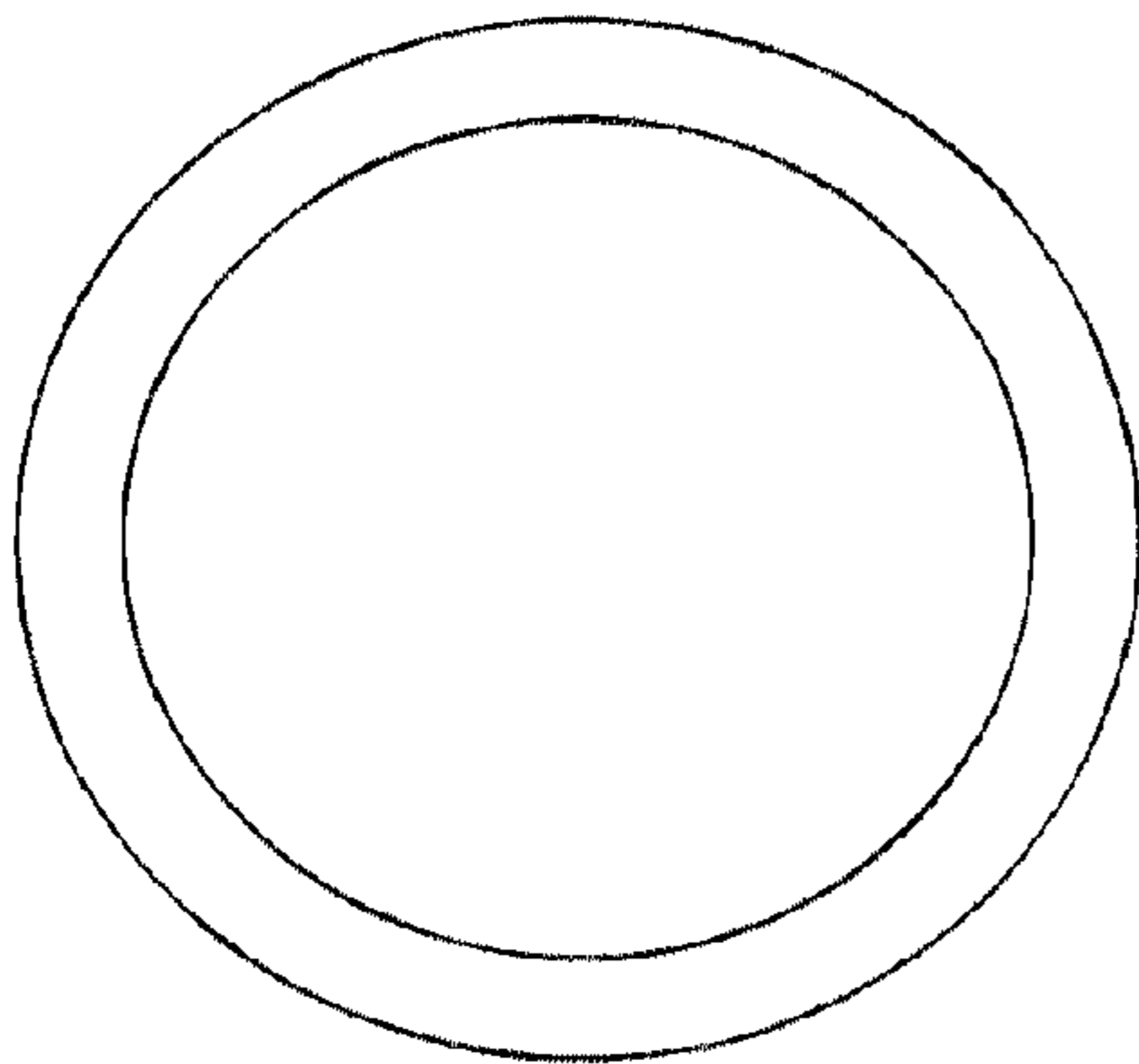


FIG. 3

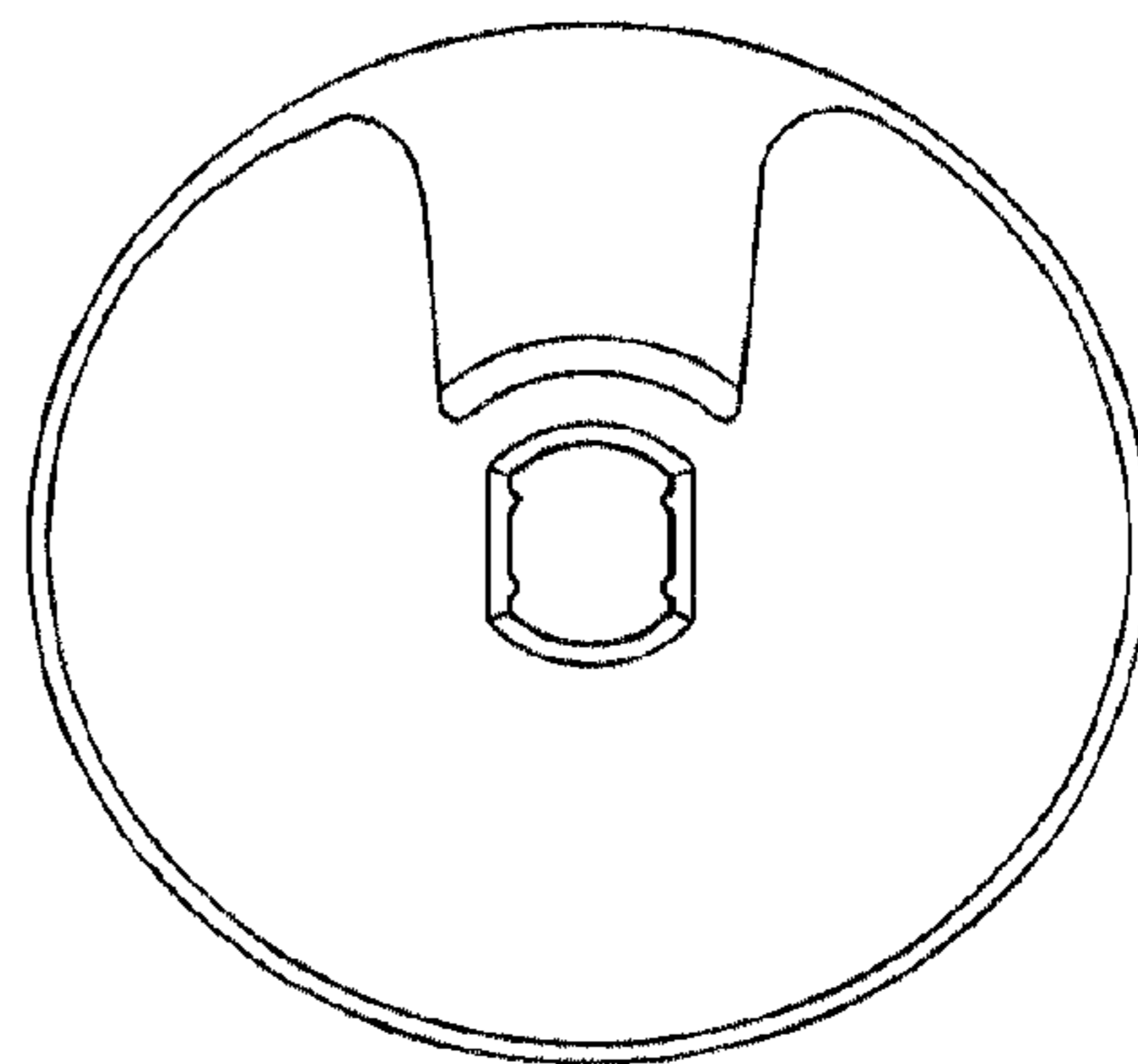


FIG. 4

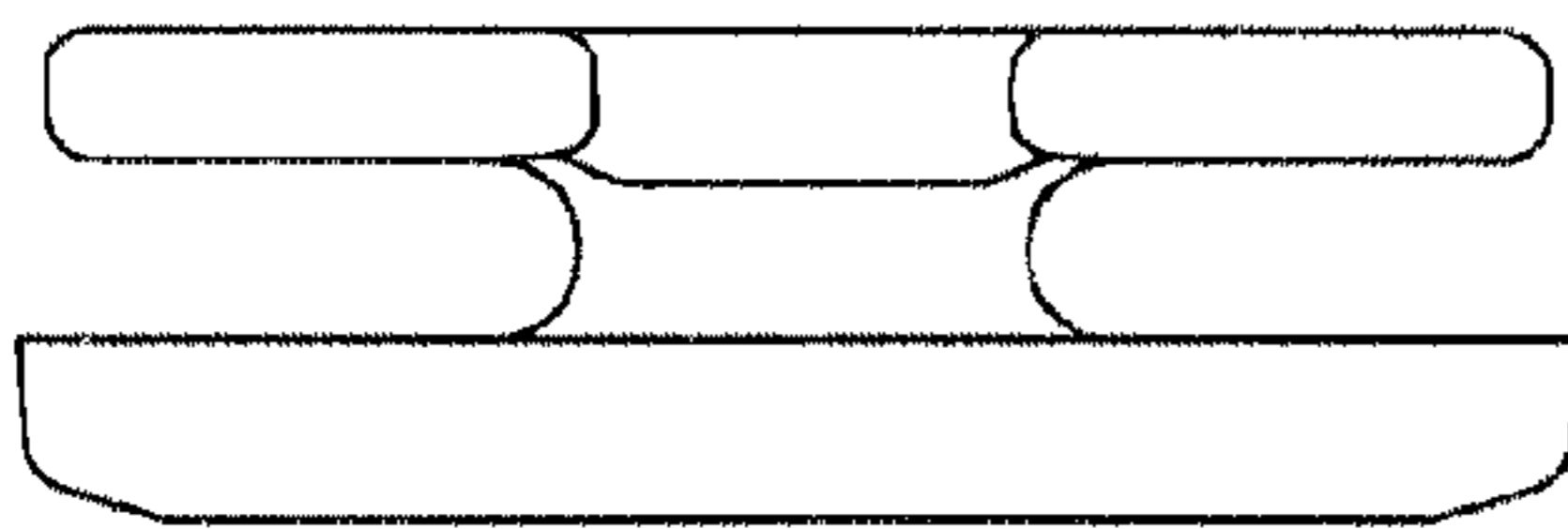


FIG. 5

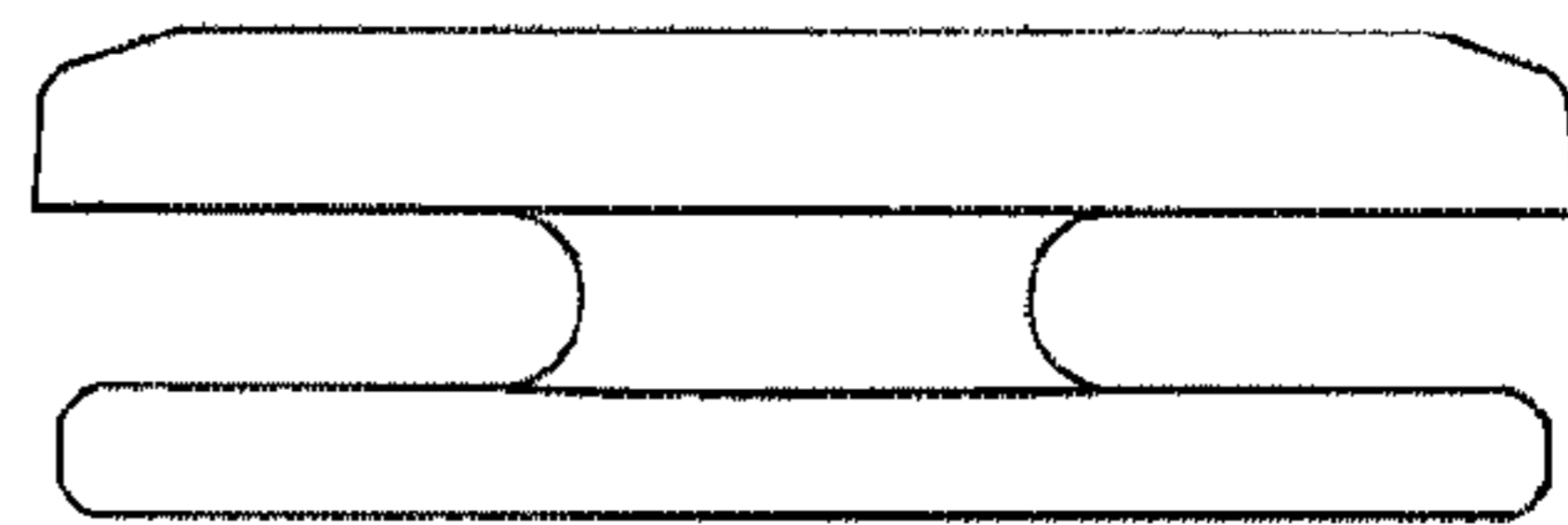


FIG. 6

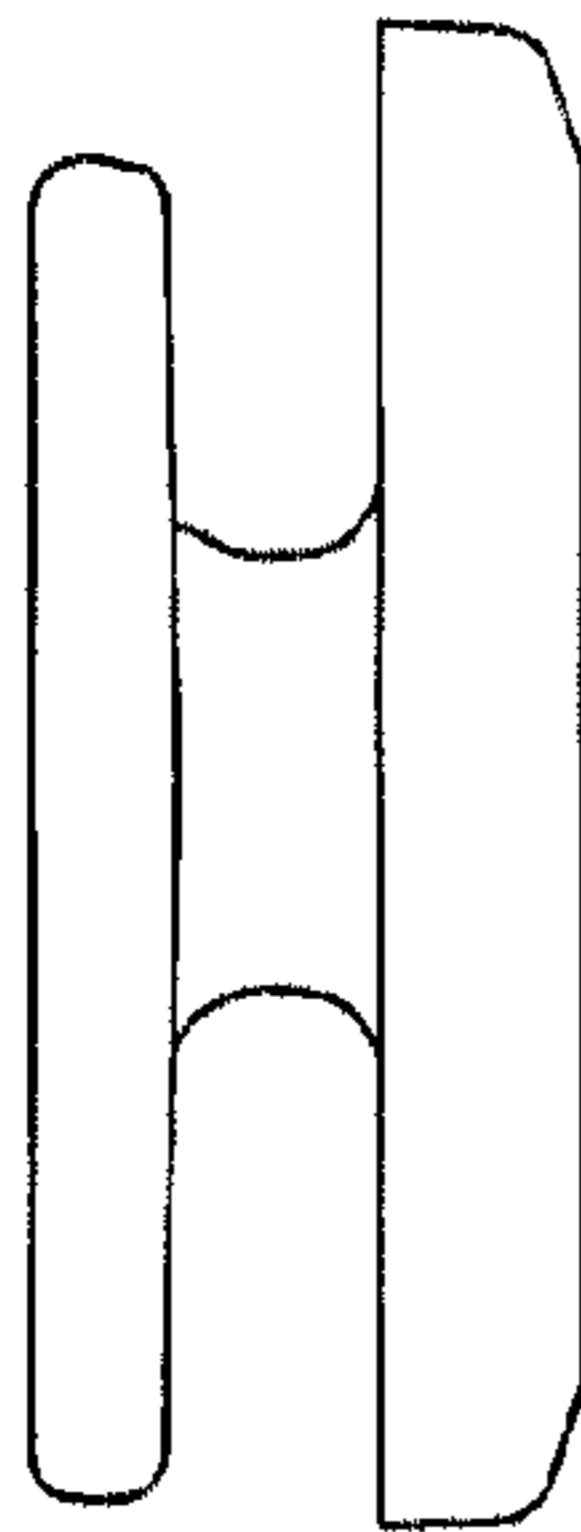


FIG. 7

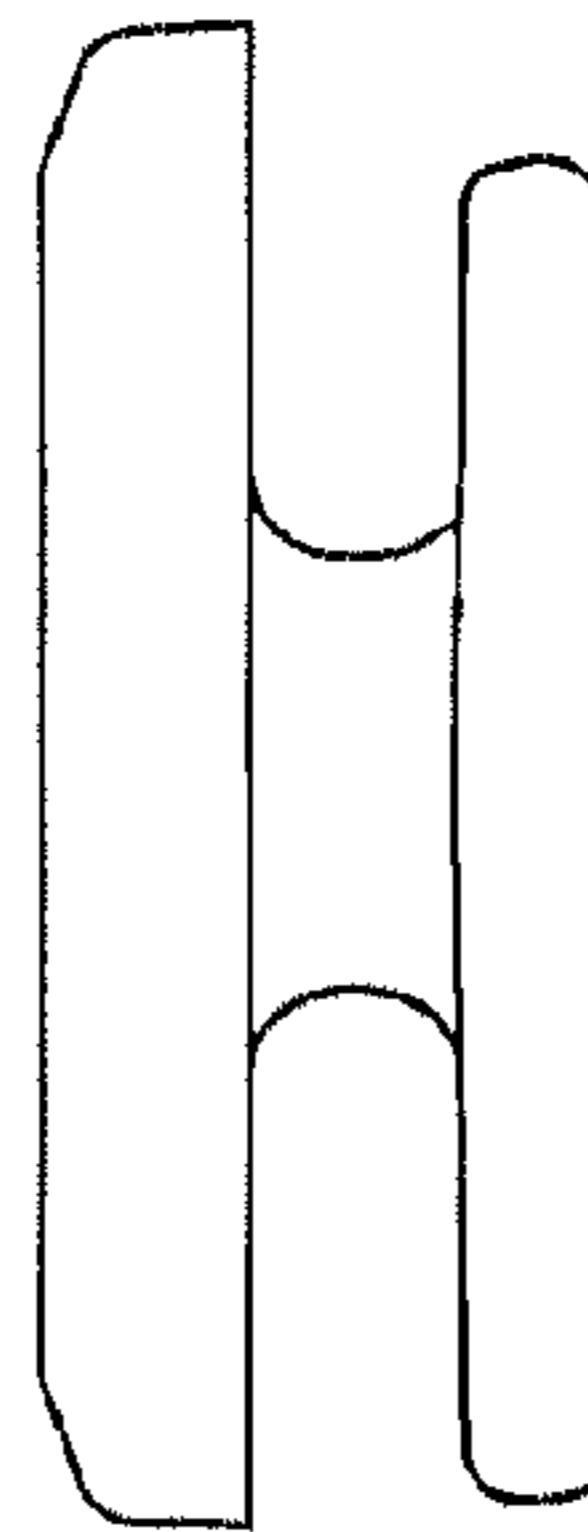


FIG. 8

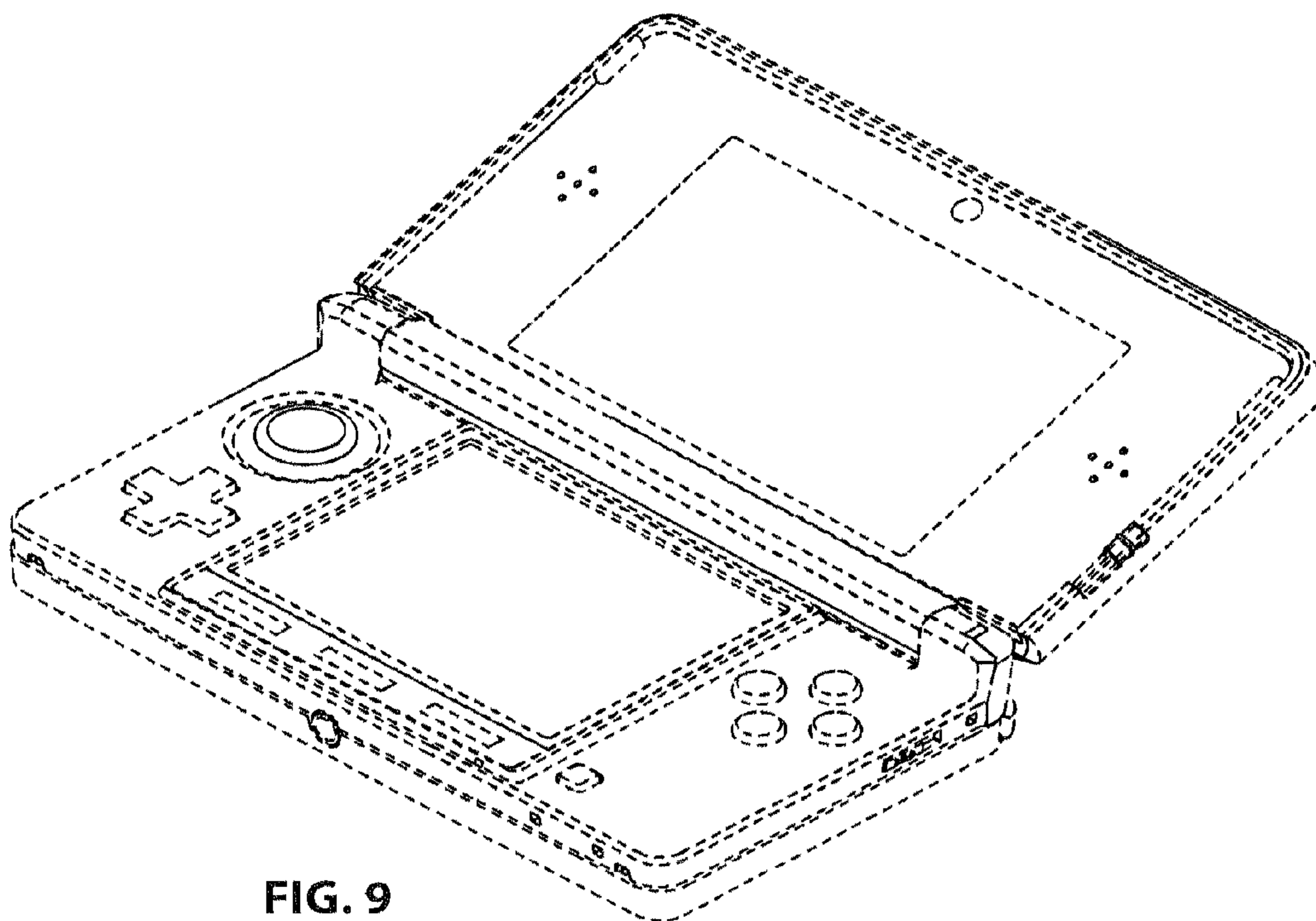


FIG. 9