

US00D655349S

(12) **United States Design Patent**  
**Ehara et al.**

(10) **Patent No.:** **US D655,349 S**  
(45) **Date of Patent:** **\*\* Mar. 6, 2012**

(54) **PORTABLE ELECTRONIC COMPUTER**

(75) Inventors: **Yui Ehara**, Kyoto (JP); **Kazunori Koshiishi**, Kyoto (JP); **Masaki Amano**, Kyoto (JP); **Kouchi Kawai**, Kyoto (JP)

(73) Assignee: **Nintendo Co., Ltd.**, Kyoto (JP)

(\*\*) Term: **14 Years**

(21) Appl. No.: **29/334,360**

(22) Filed: **Mar. 25, 2009**

(30) **Foreign Application Priority Data**

Oct. 1, 2008 (JP) ..... 2008-025322

(51) **LOC (9) Cl.** ..... **21-01**

(52) **U.S. Cl.** ..... **D21/333; D21/330**

(58) **Field of Classification Search** ..... D21/324-333, D21/369, 385; 273/148 B, 148 R, 461; D14/495, D14/338, 339, 348, 356, 432, 433, 471, 474, D14/137, 160, 168, 188-181, 203.1-203.8, D14/219, 265, 257; 345/156-161, 1.1; 455/344-351; 369/6-12; 463/1, 29-35, 463/46, 47; 16/321, 337; 248/176.1, 915, 248/921; 285/188, 231-234, 304, 330  
See application file for complete search history.

(56) **References Cited**

**U.S. PATENT DOCUMENTS**

6,880,793	B2 *	4/2005	Huang et al.	248/304
6,943,769	B1 *	9/2005	Malhi	345/102
D510,572	S *	10/2005	Lee et al.	D14/188
D518,022	S *	3/2006	Ishizaki	D14/168
D526,640	S *	8/2006	Chin et al.	D14/188
D530,721	S *	10/2006	Skinner et al.	D14/496
D536,382	S	2/2007	Sugino et al.	
D558,195	S *	12/2007	Divine et al.	D14/257
D569,390	S *	5/2008	Lee	D14/496

D585,898	S *	2/2009	Skurdal	D14/434
D589,055	S *	3/2009	Morisawa et al.	D14/511
D605,294	S *	12/2009	Bergstrom	D24/174

**FOREIGN PATENT DOCUMENTS**

CN 300718712D A1 12/2007

**OTHER PUBLICATIONS**

U.S. Appl. No. 29/334,624, filed Mar. 30, 2009.  
U.S. Appl. No. 29/334,361, filed Mar. 25, 2009.  
Office Action for Design Application No. 2008-025322 dated May 18, 2009; Dispatch No. 020776; (1 page) with partial translation.  
Nikkei New Product Watcher; Feb. 12, 2007; No. 127 on p. 40; JPO Document Card HA18034574.

\* cited by examiner

*Primary Examiner* — Prabhakar Deshmukh

(74) *Attorney, Agent, or Firm* — Nixon & Vanderhye, P.C.

(57) **CLAIM**

The ornamental design for a portable electronic computer, as shown and described.

**DESCRIPTION**

FIG. 1 is front, bottom and right perspective view of a portable electronic computer showing our new design, a lid with display being opened;  
FIG. 2 is rear, top and left perspective view thereof;  
FIG. 3 is a front view thereof;  
FIG. 4 is a rear view thereof;  
FIG. 5 is a top plan view thereof;  
FIG. 6 is a bottom plan view thereof;  
FIG. 7 is a left side view thereof; and,  
FIG. 8 is a right side view thereof.  
The broken lines indicate the disclaimed portions and form no part of the claimed design.

**1 Claim, 5 Drawing Sheets**

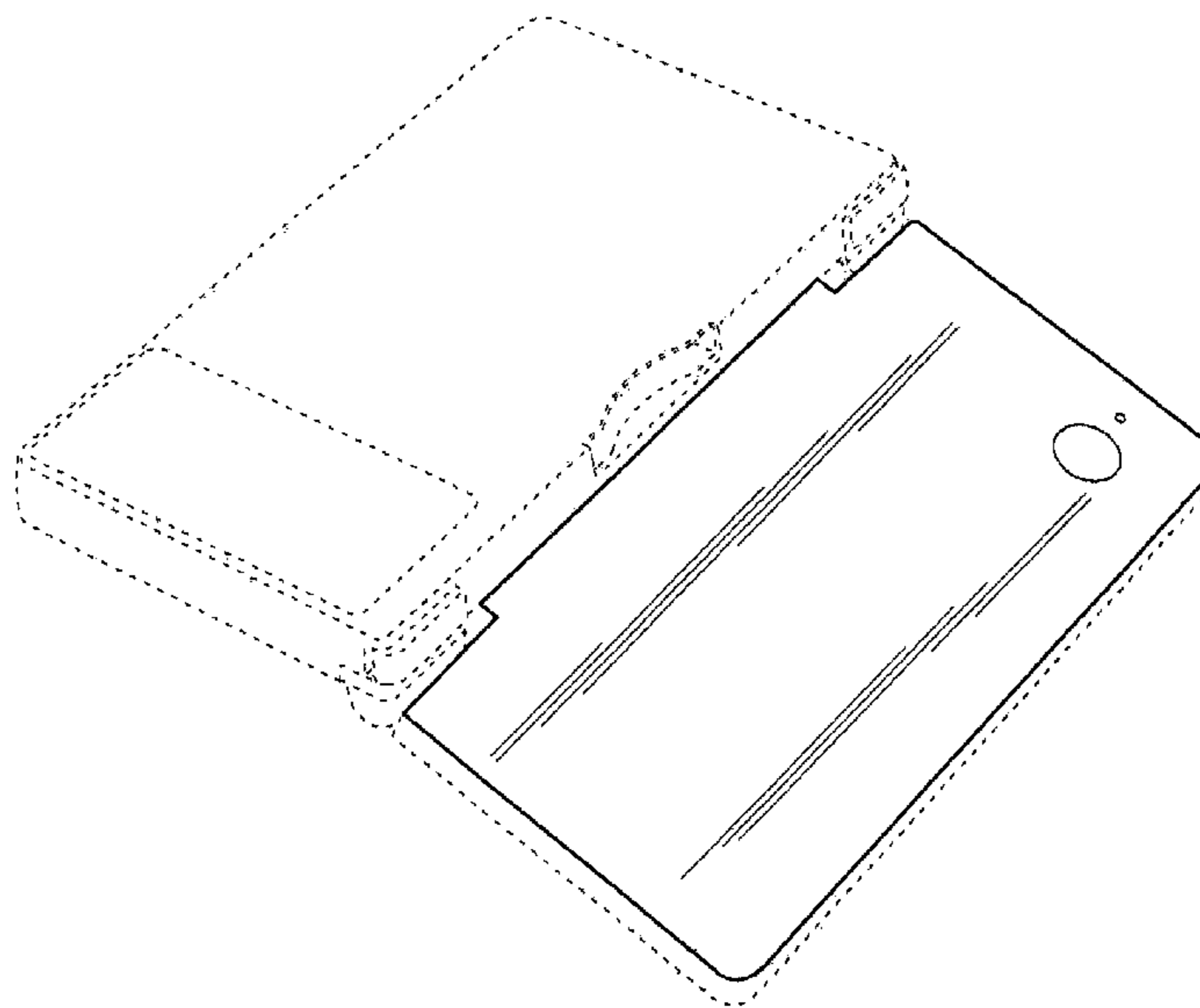


FIG. 1

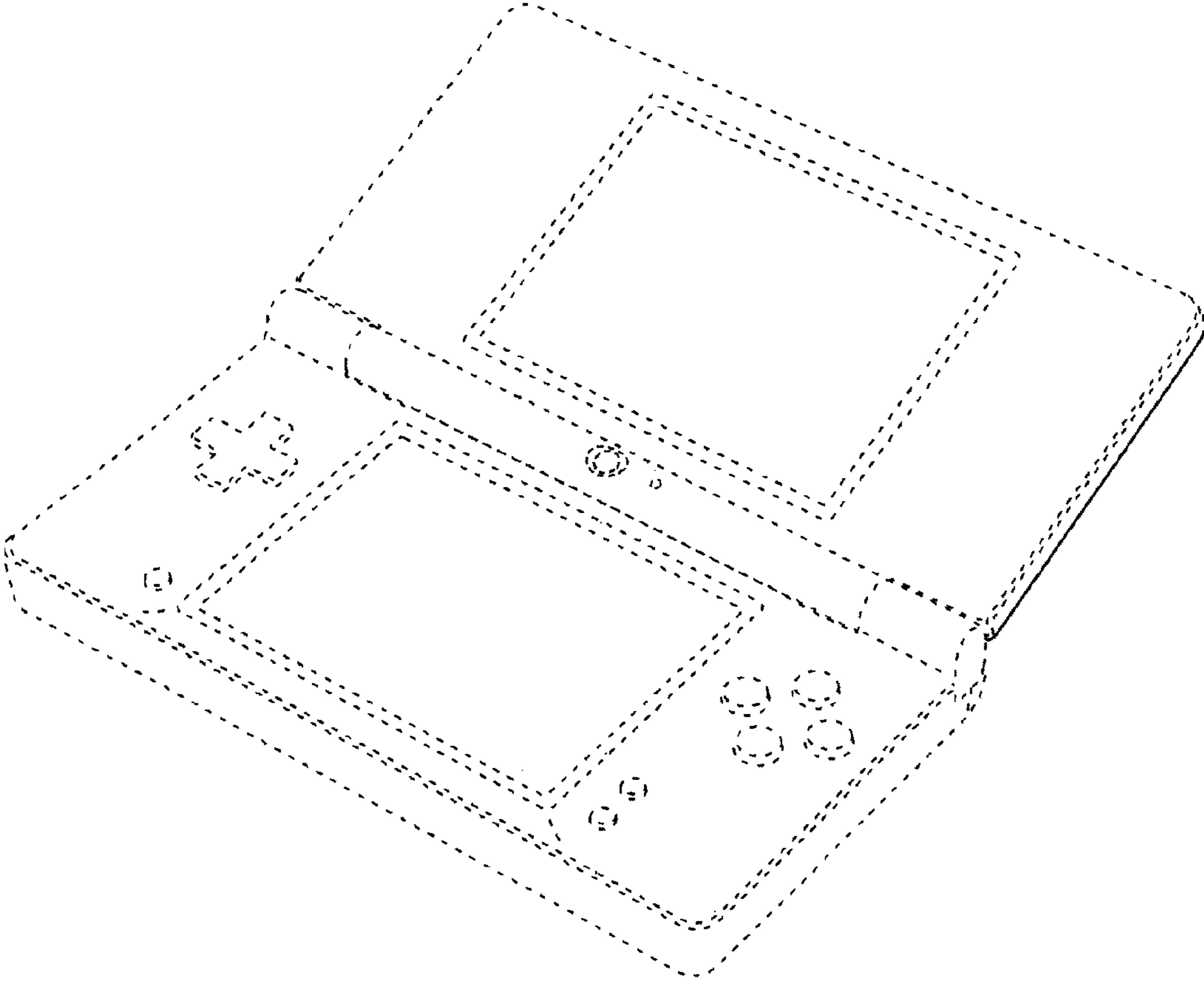


FIG. 2

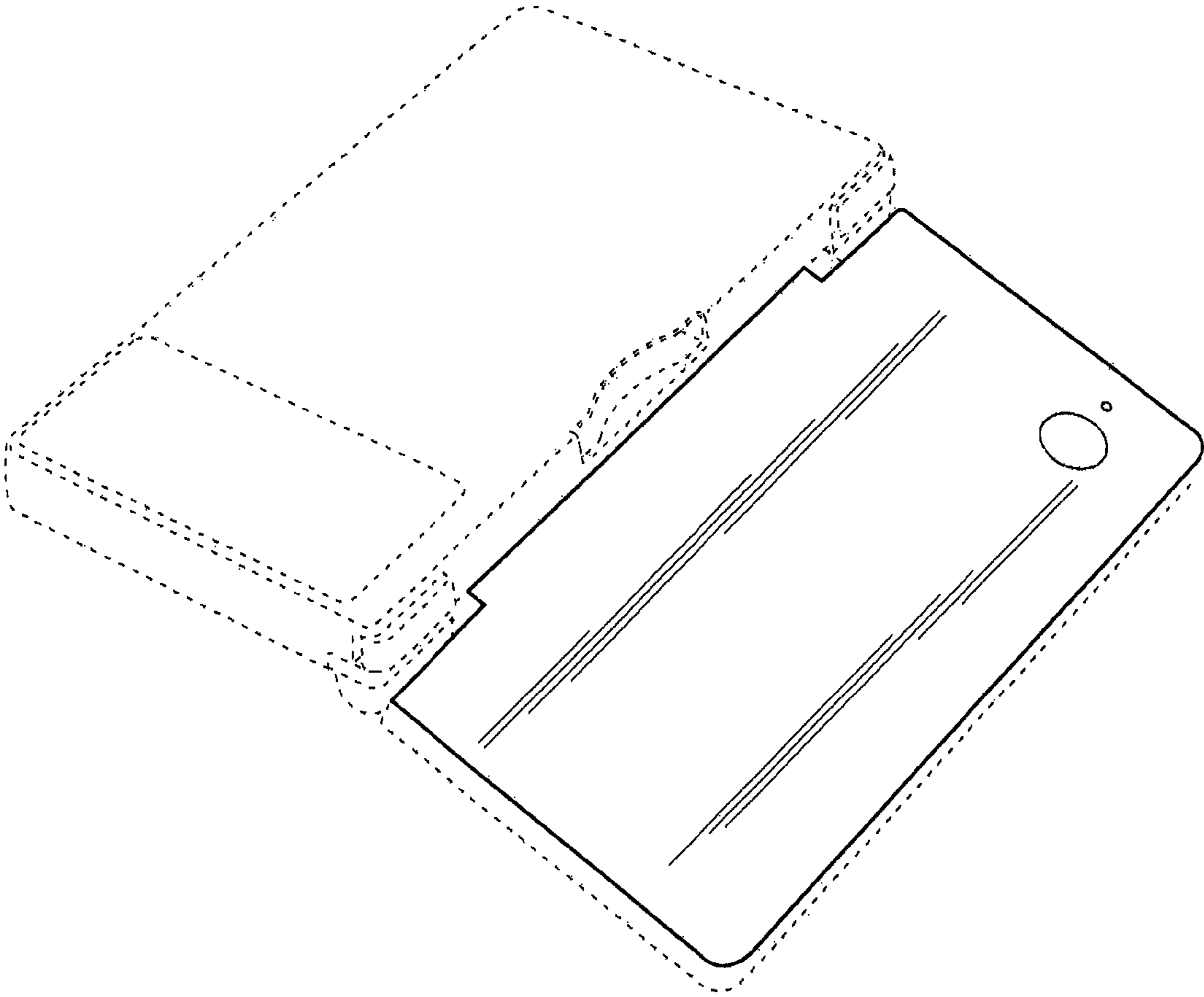


FIG. 3

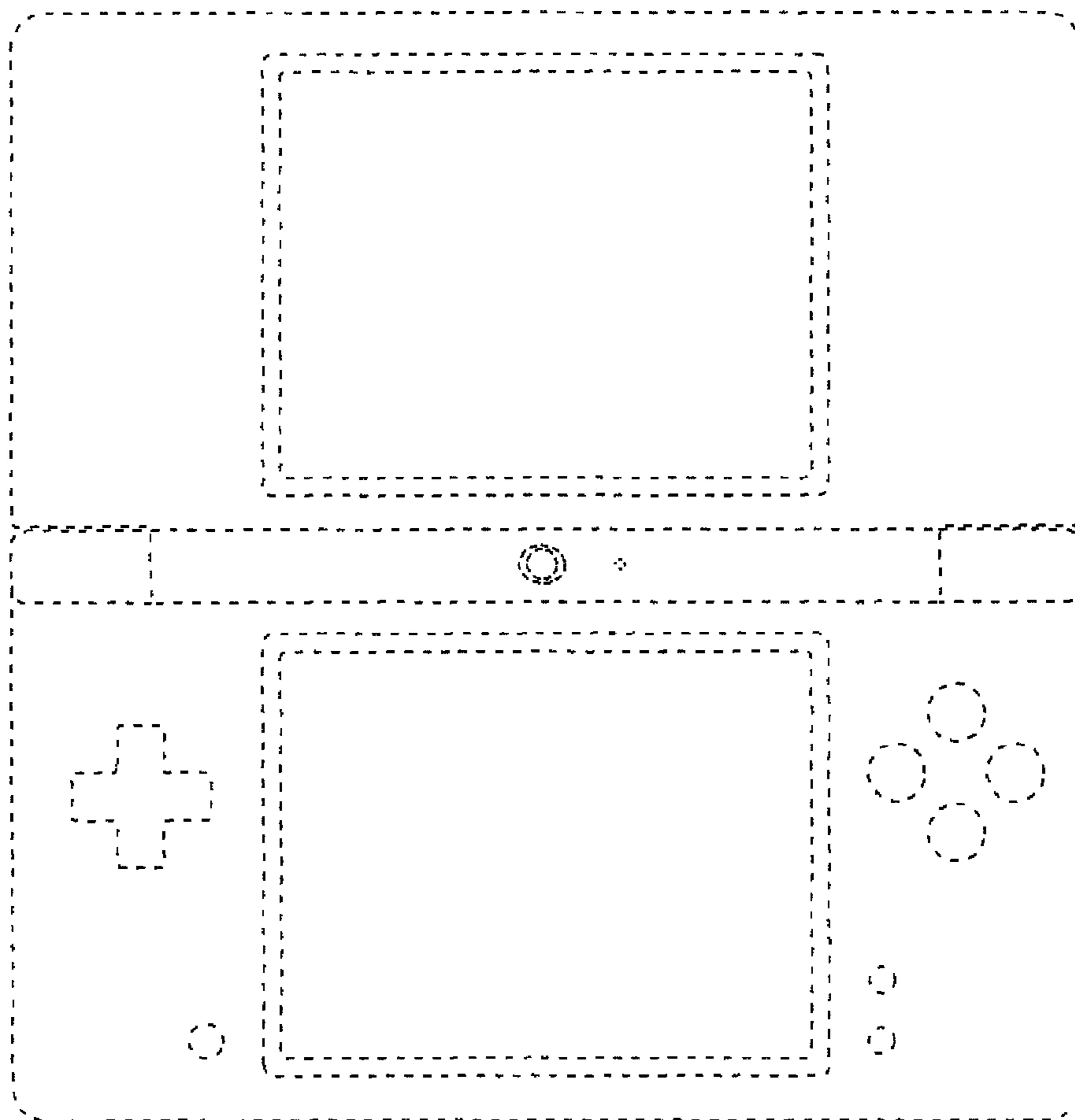


FIG. 4

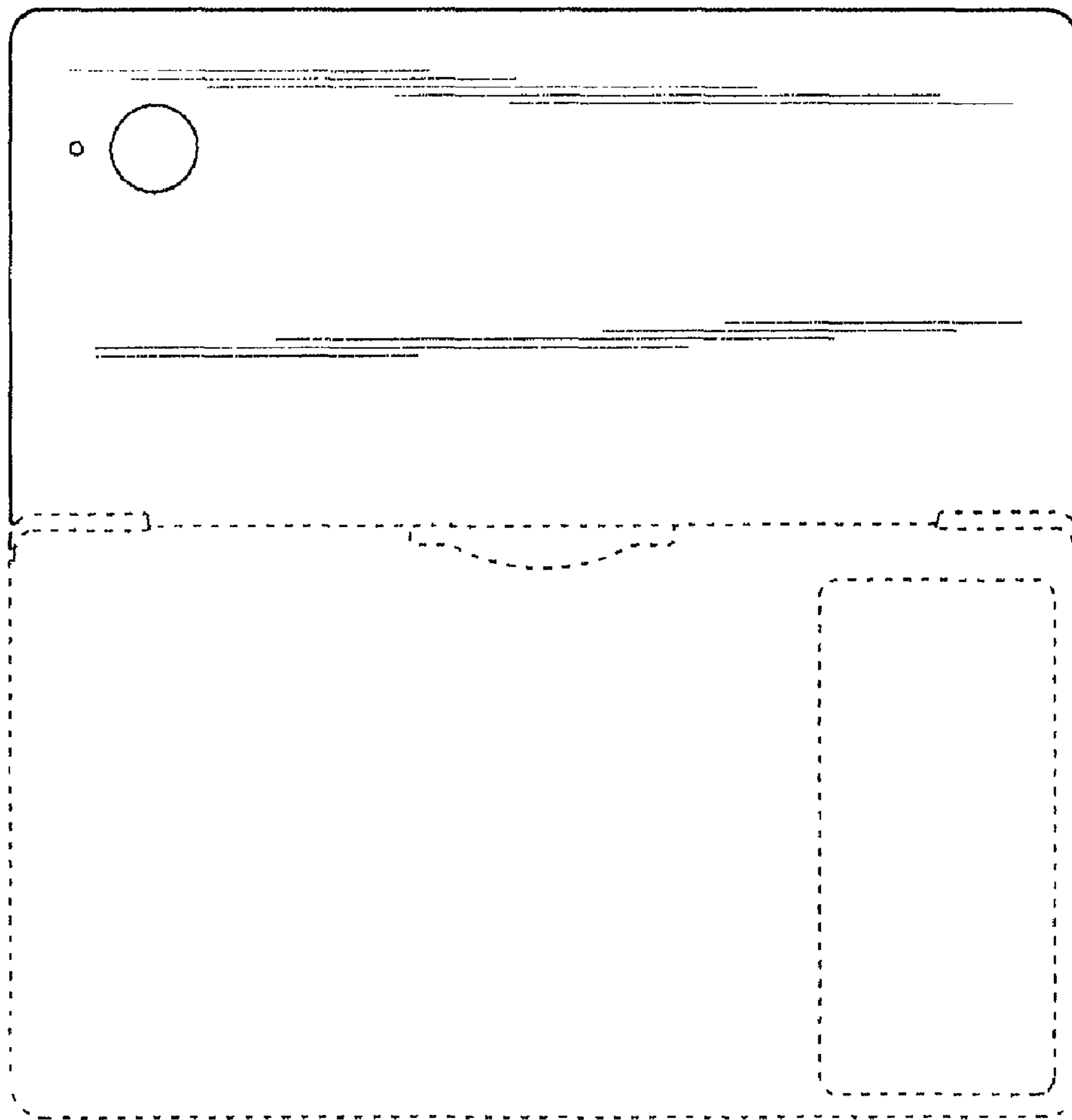


FIG. 5

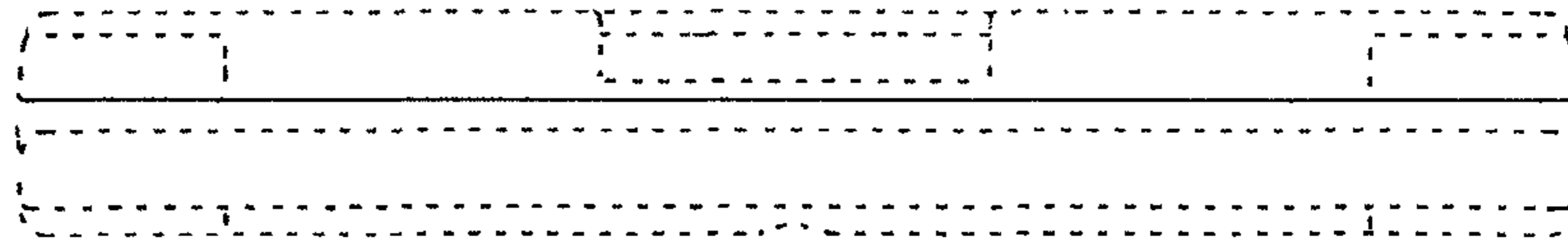


FIG. 6

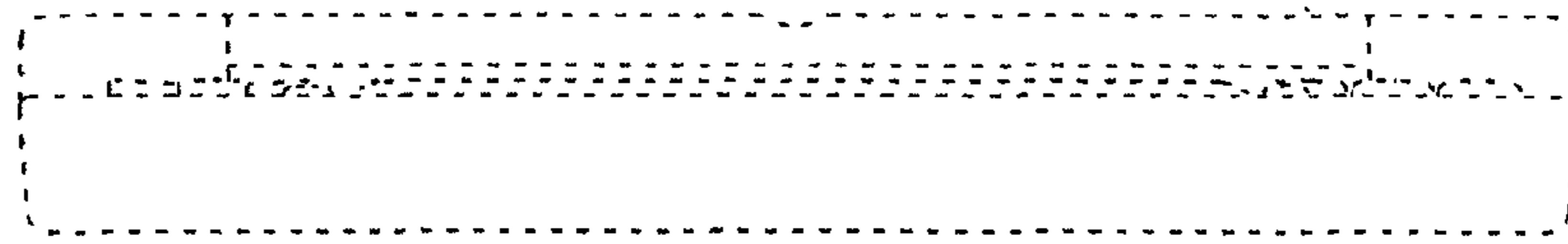


FIG. 7

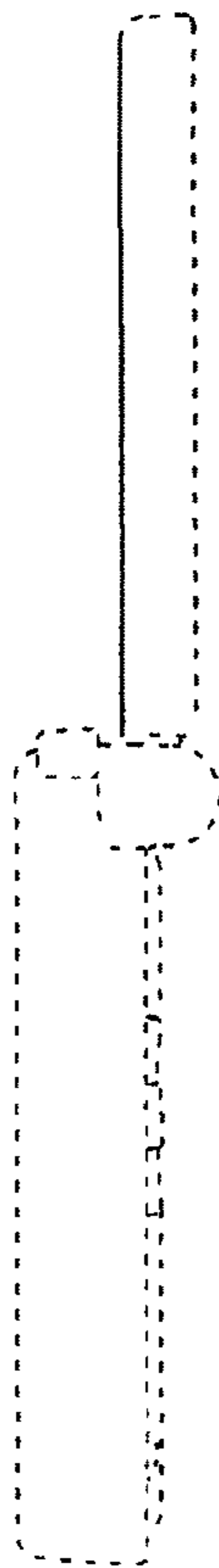


FIG. 8

