



US00D655347S

(12) **United States Design Patent**  
**Gehrung**

(10) **Patent No.:** **US D655,347 S**

(45) **Date of Patent:** **\*\* Mar. 6, 2012**

(54) **IDENTIFICATION TAG**

(75) Inventor: **Ralf Gehrung**, Stuttgart (DE)

(73) Assignee: **Sata GmbH & Co. KG**, Kornwestheim (DE)

(\*\*) Term: **14 Years**

(21) Appl. No.: **29/385,203**

(22) Filed: **Feb. 10, 2011**

(30) **Foreign Application Priority Data**

Aug. 12, 2010 (DE) ..... 40 2010 004 340

(51) **LOC (9) Cl.** ..... **19-08**

(52) **U.S. Cl.** ..... **D20/22**

(58) **Field of Classification Search** ..... D20/10,  
D20/19, 22-28, 40, 43, 99; 40/5, 299.01,  
40/300-302, 316, 630, 625, 626, 628, 631,  
40/661; D8/349, 388; D10/106.9, 106.92;  
D24/128; D30/155; 410/96, 105

See application file for complete search history.

(56) **References Cited**

**U.S. PATENT DOCUMENTS**

- D519,687 S \* 4/2006 Zahav ..... D30/155
- 7,194,829 B2 \* 3/2007 Boire et al. .... 40/316
- D571,463 S \* 6/2008 Chesnin ..... D24/128
- D638,121 S \* 5/2011 Villasana ..... D24/128
- 2003/0066218 A1 \* 4/2003 Schweikert ..... 40/299.01
- 2008/0019789 A1 \* 1/2008 Dunaway et al. .... 410/105

\* cited by examiner

*Primary Examiner* — Mary Ann Calabrese

(74) *Attorney, Agent, or Firm* — Martin Fleit; Paul D. Bianco; Fleit Gibbons Gutman Bongini & Bianco PL

(57) **CLAIM**

The ornamental design for an identification tag, as shown and described.

**DESCRIPTION**

FIG. 1 is a first front perspective view of the identification tag according to the present invention in a closed configuration. FIG. 2 is a second front perspective view of the identification tag of FIG. 1.

FIG. 3 is a bottom view of the identification tag of FIG. 1.

FIG. 4 is a top view of the identification tag of FIG. 1.

FIG. 5 is a right side view of the identification tag of FIG. 1.

FIG. 6 is a left side view of the identification tag of FIG. 1.

FIG. 7 is a front view of the identification tag of FIG. 1.

FIG. 8 is a rear view of the identification tag of FIG. 1.

FIG. 9 is a first front perspective view of the identification tag according to the present invention in an open configuration.

FIG. 10 is a second front perspective view of the identification tag of FIG. 9.

FIG. 11 is a bottom view of the identification tag of FIG. 9.

FIG. 12 is a top view of the identification tag of FIG. 9.

FIG. 13 is a right side view of the identification tag of FIG. 9.

FIG. 14 is a left side view of the identification tag of FIG. 9.

FIG. 15 is a front view of the identification tag of FIG. 9.

FIG. 16 is a rear view of the identification tag of FIG. 9.

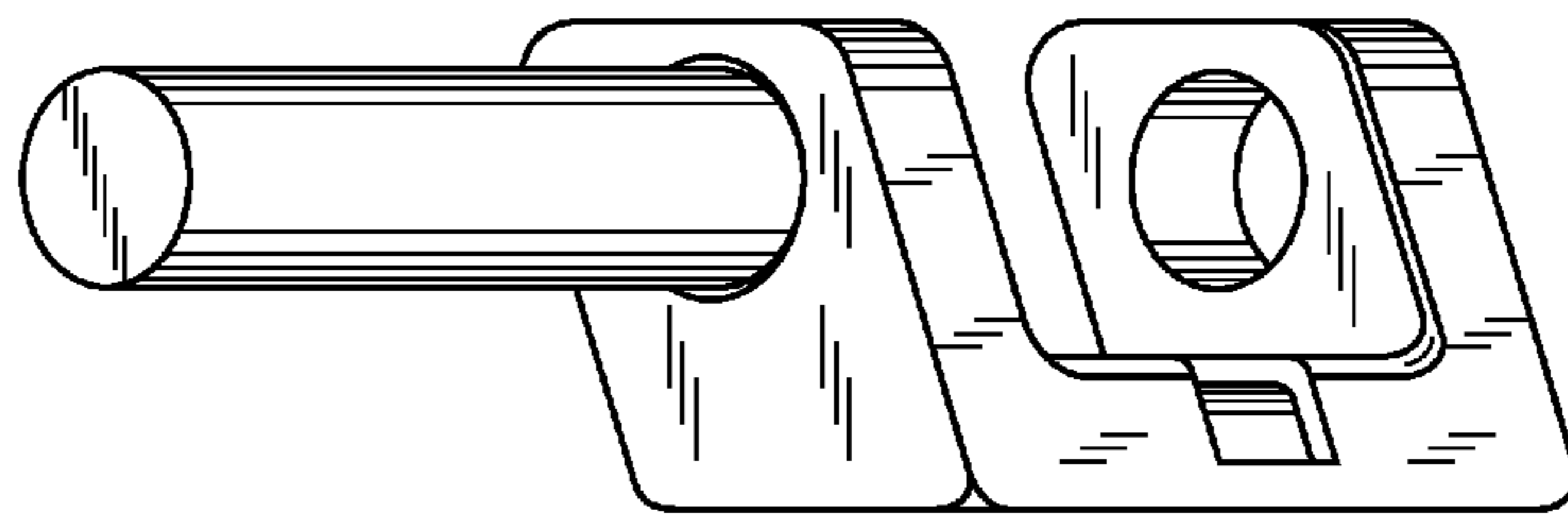
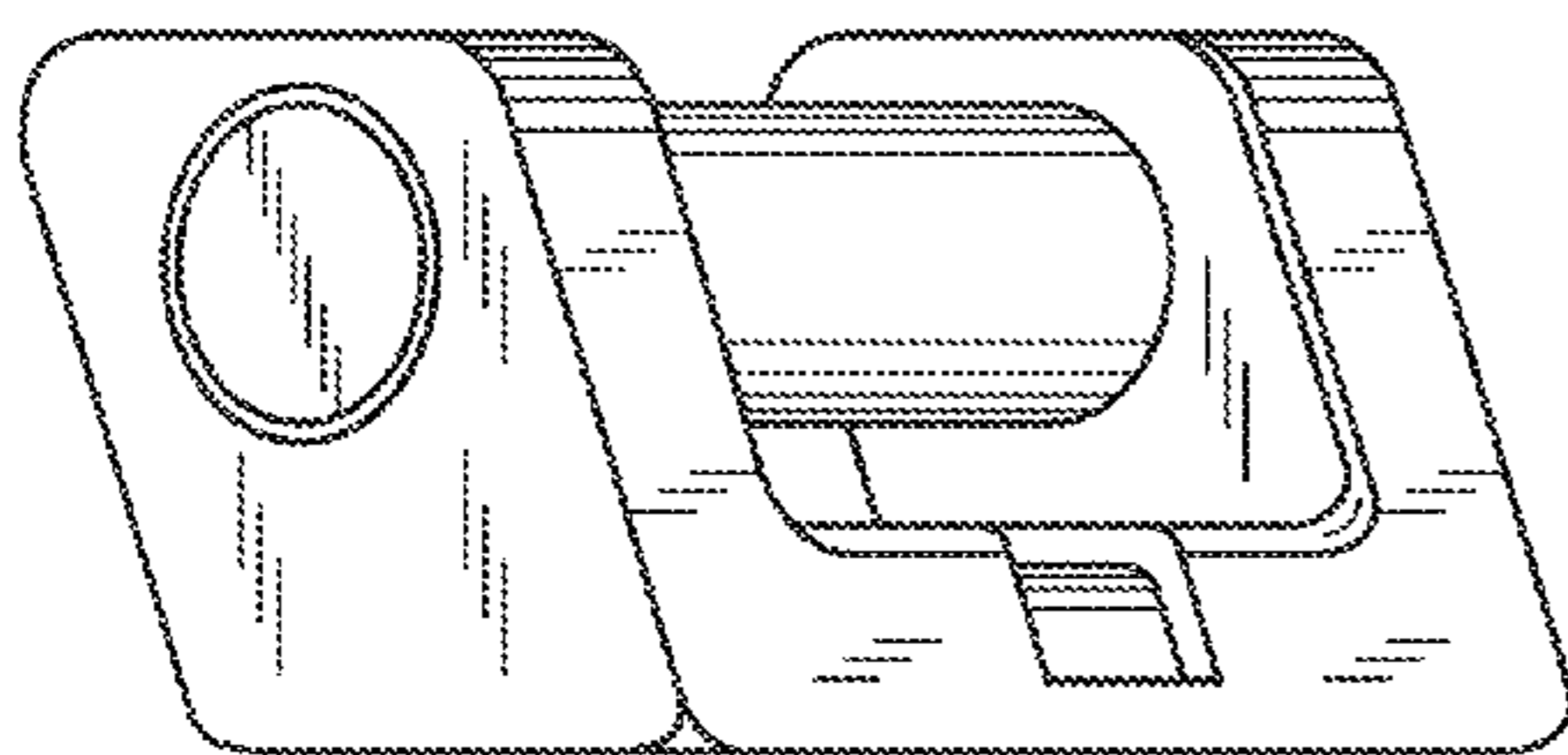
FIG. 17 is a front perspective view of the identification tag of FIG. 1 shown in use on a paint spray gun.

FIG. 18 is a side view of the identification tag of FIG. 1 shown in use on a paint spray gun; and,

FIG. 19 is a bottom view of the identification tag of FIG. 1 shown in use on a paint spray gun.

The broken lines, including the spray gun shown, illustrate environment or disclaimed features and form no part of the claimed design.

**1 Claim, 9 Drawing Sheets**



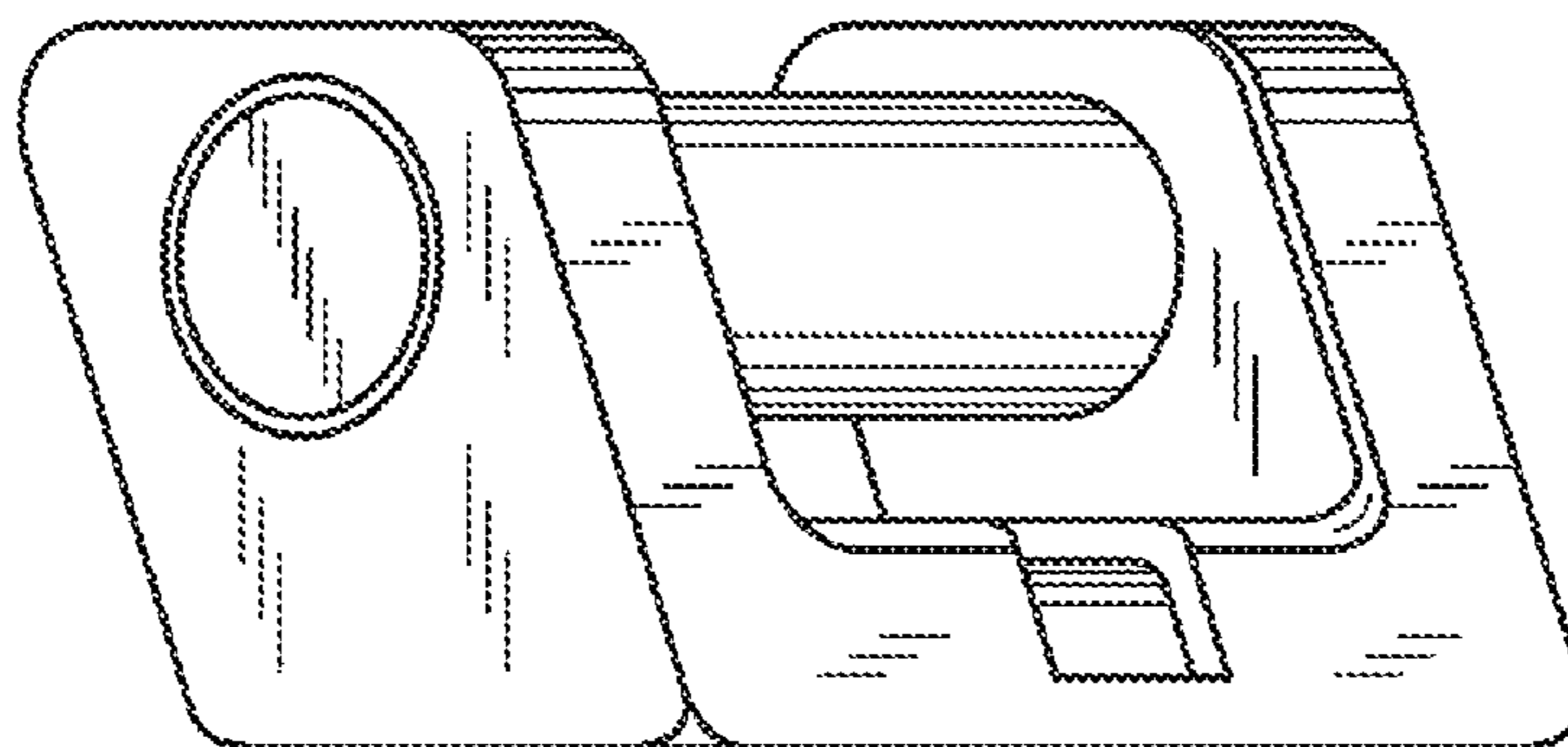


FIG. 1

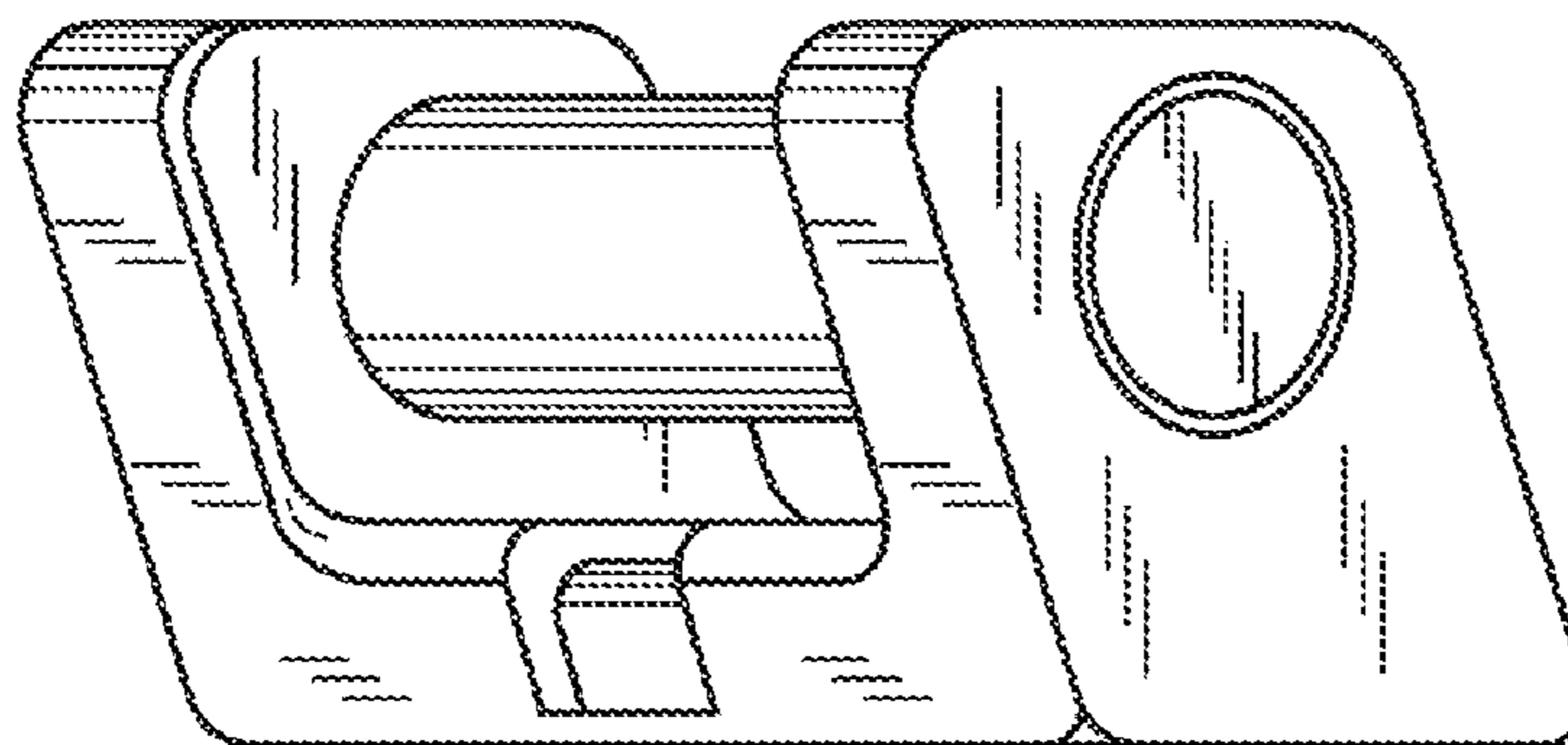


FIG. 2

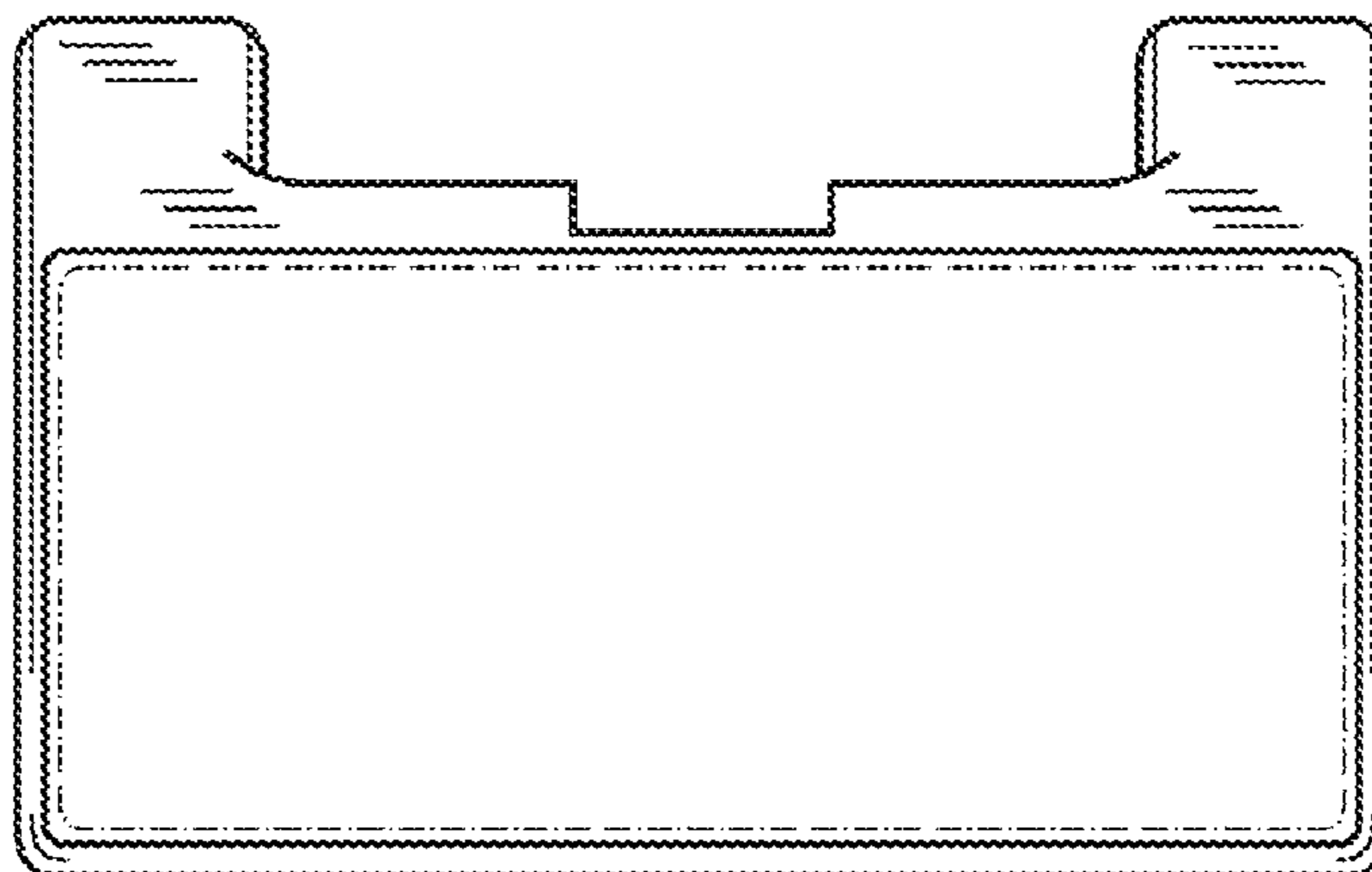


FIG. 3

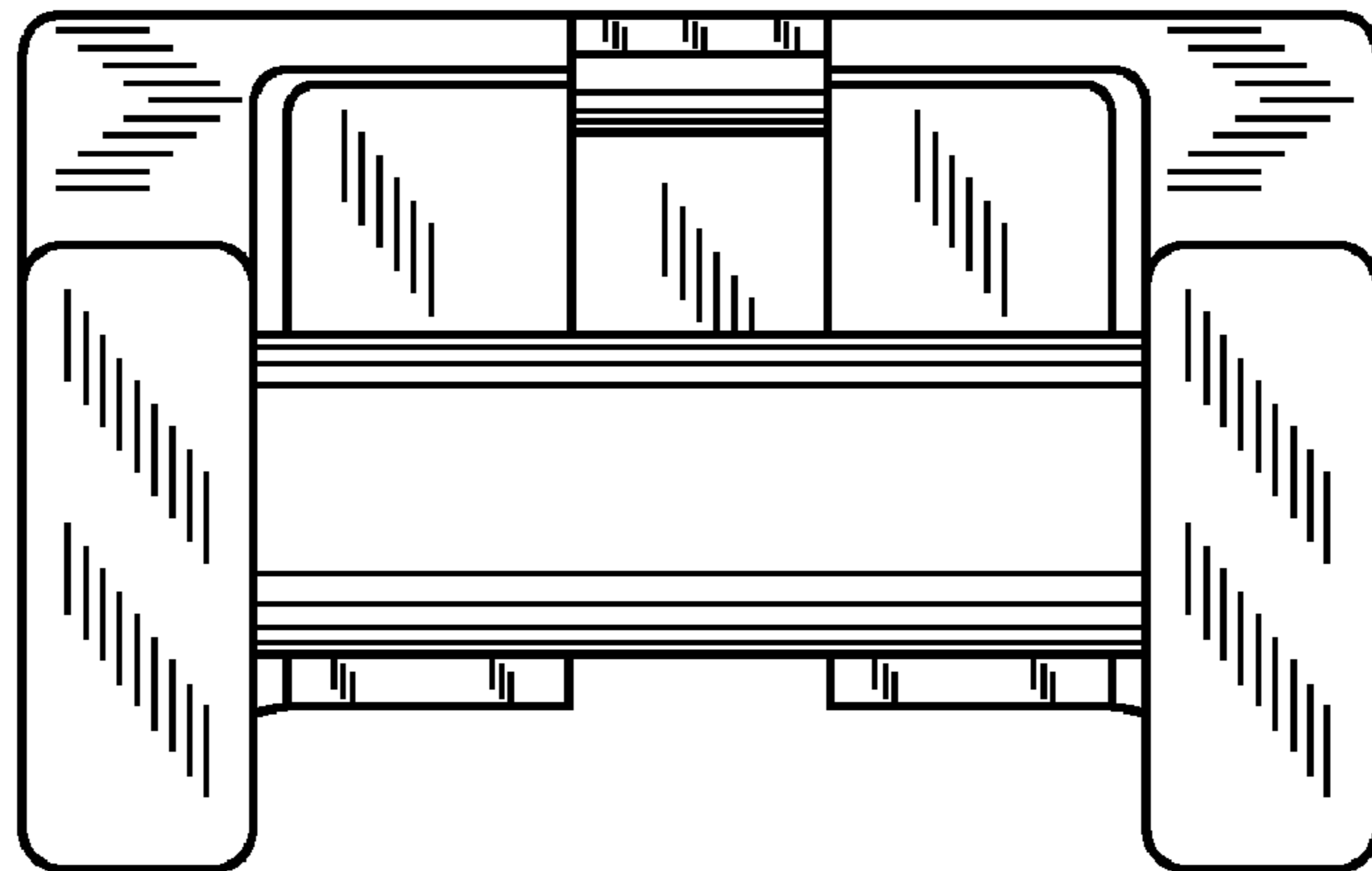


FIG. 4

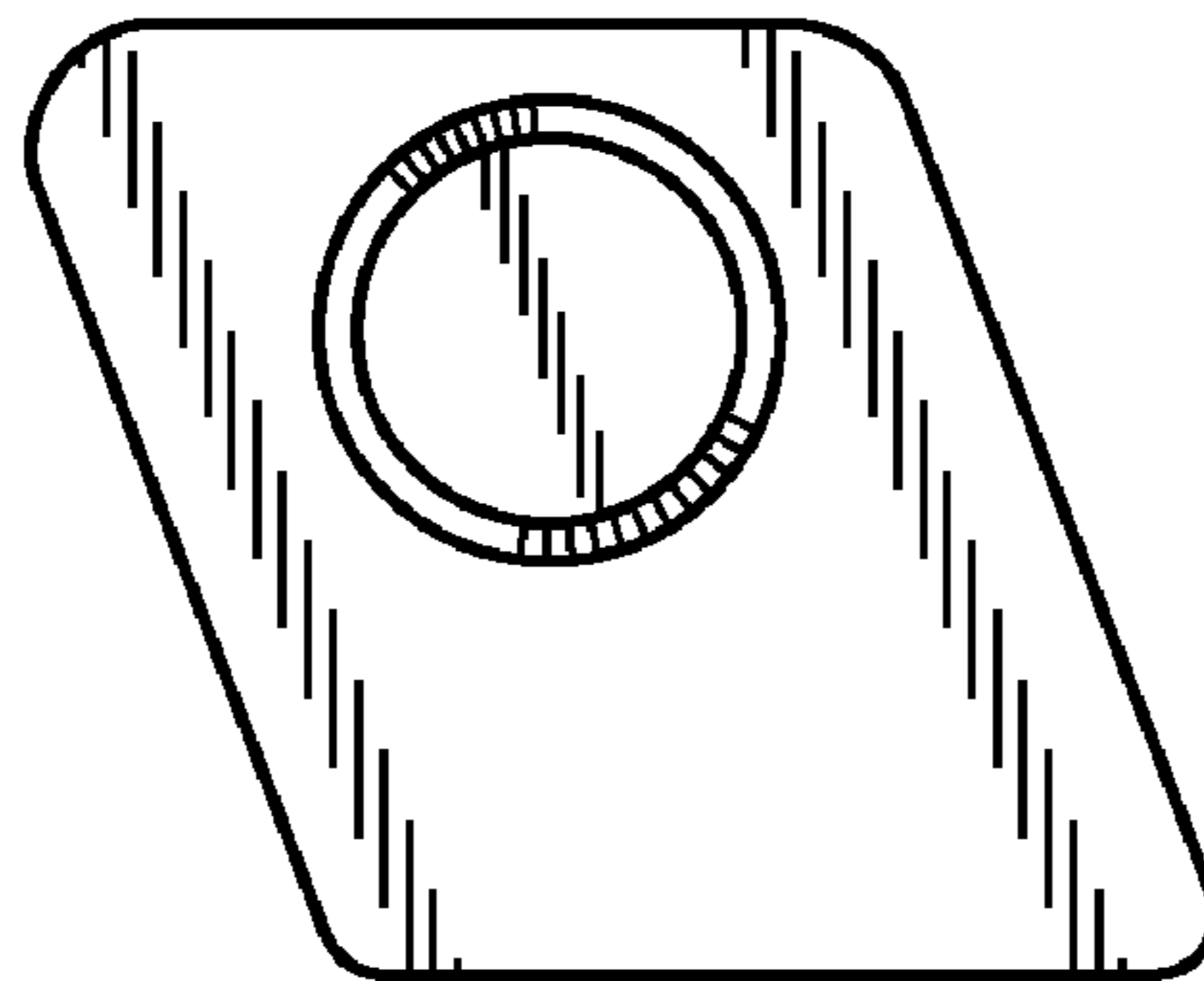


FIG. 5

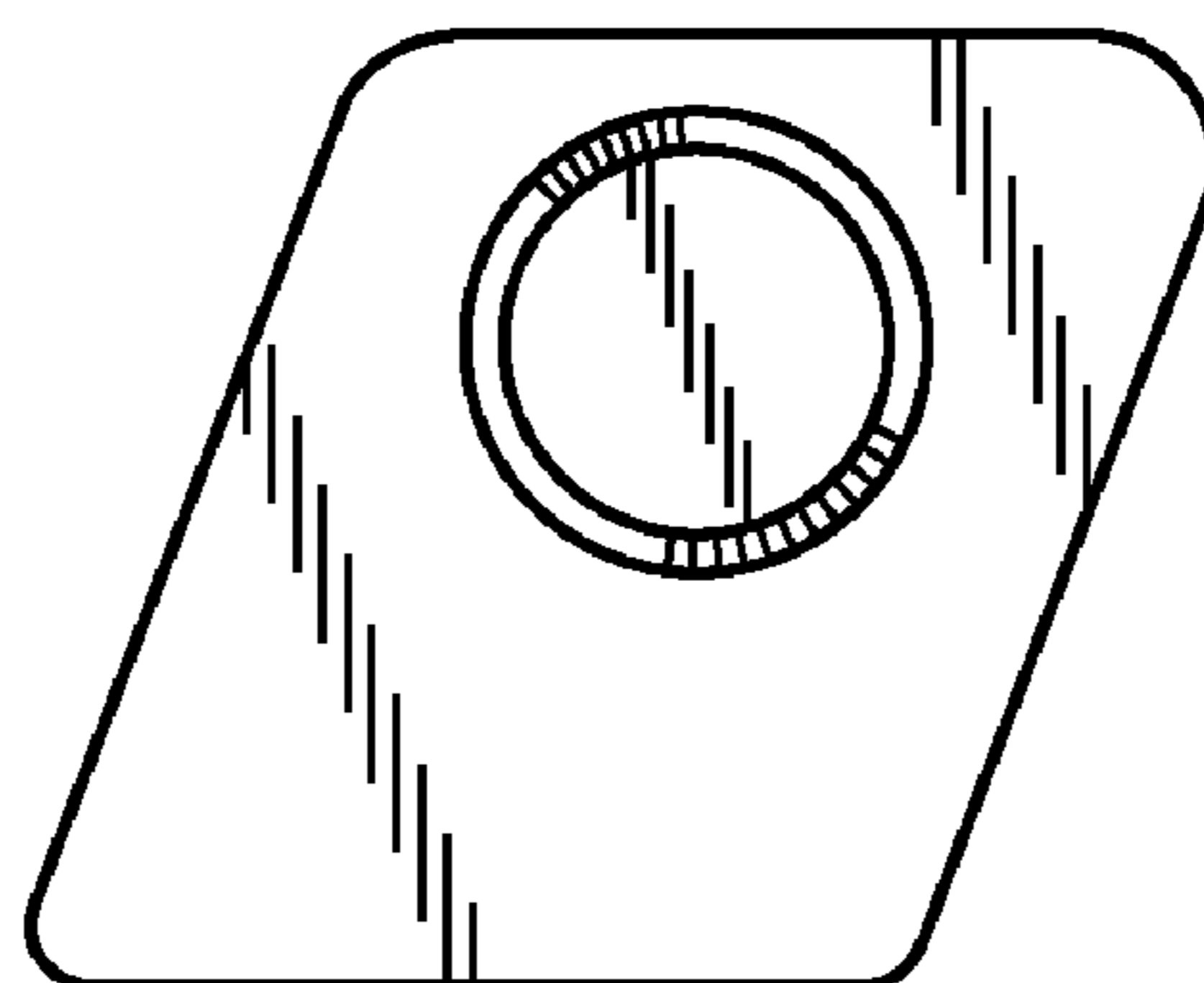


FIG. 6

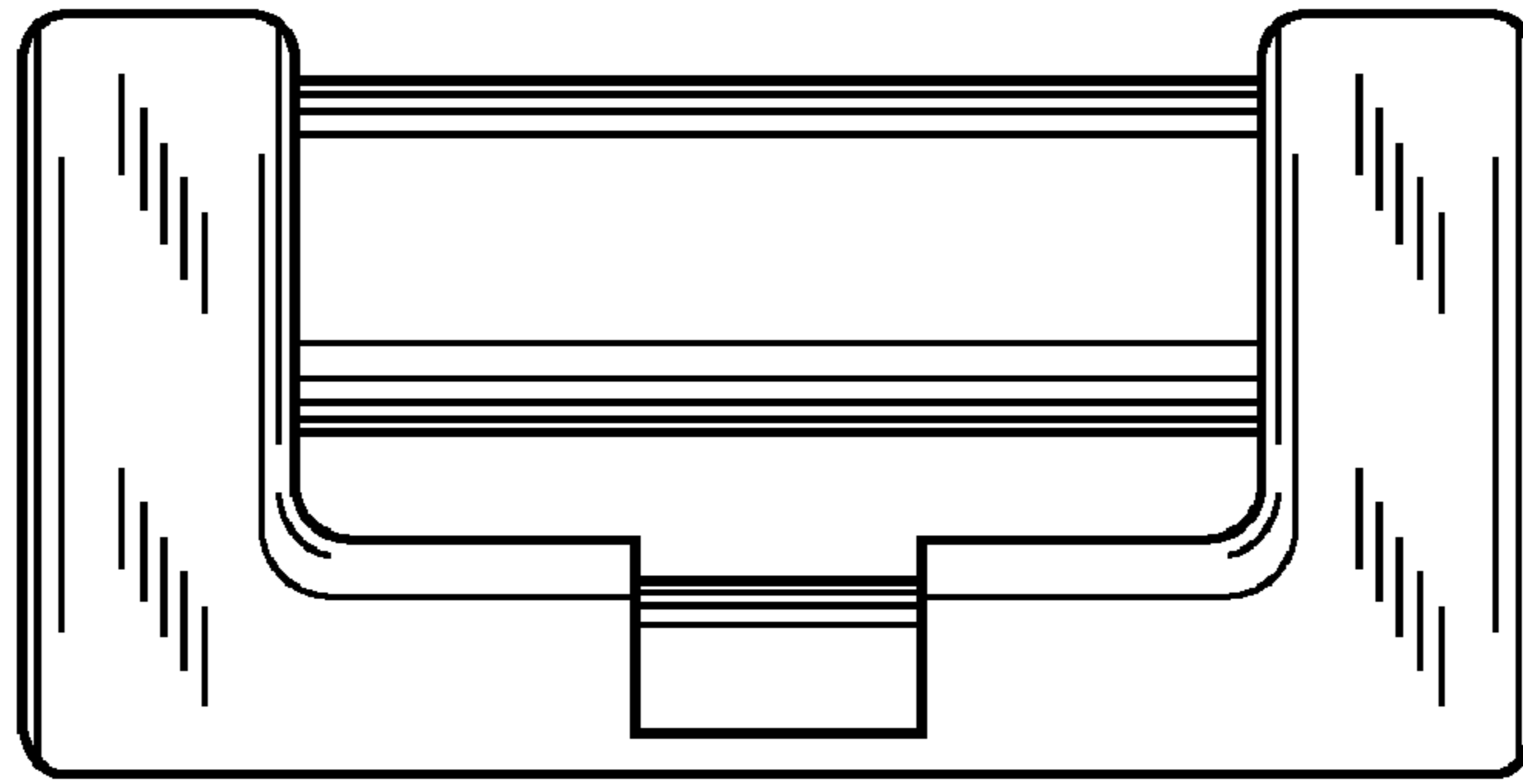


FIG. 7

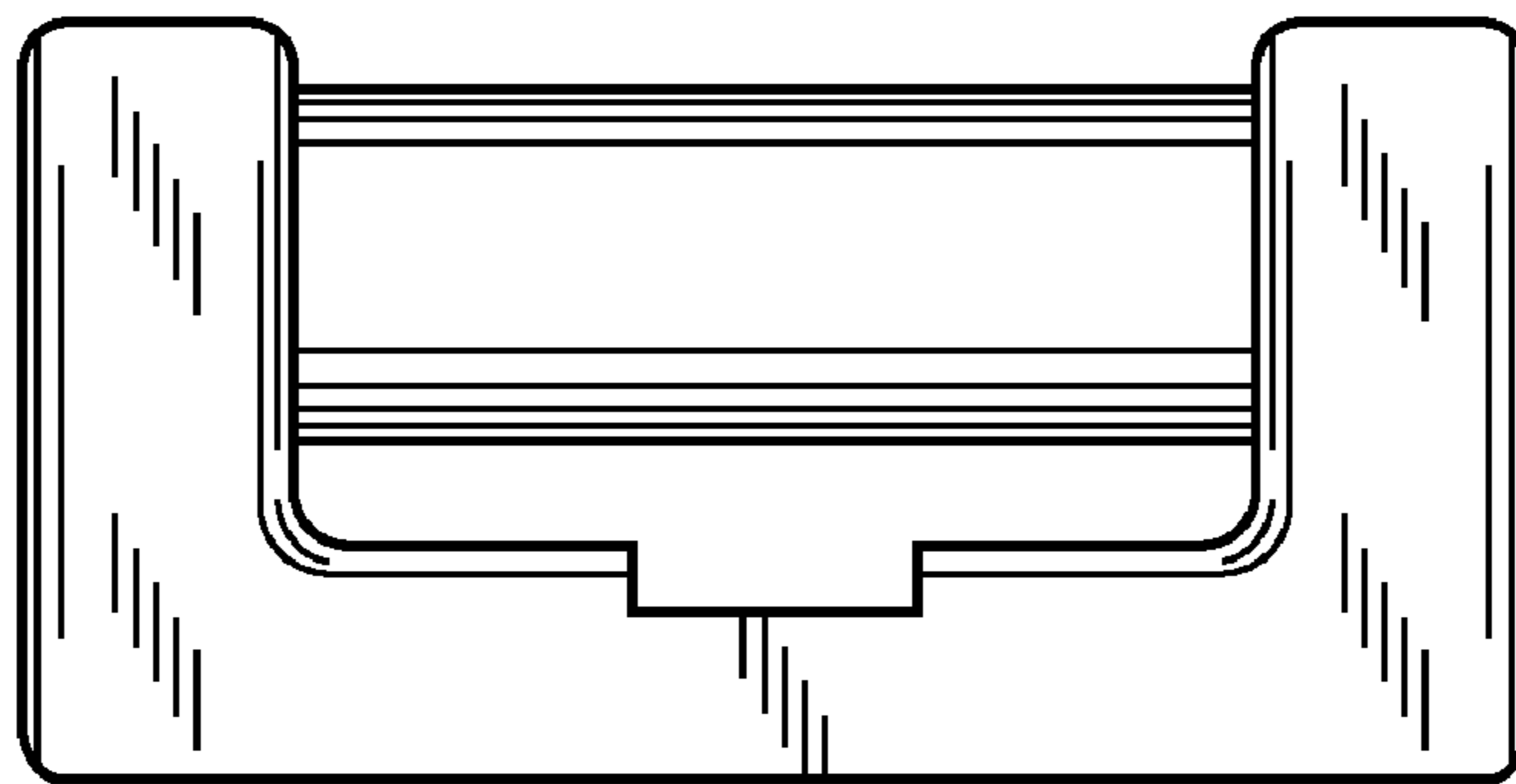


FIG. 8

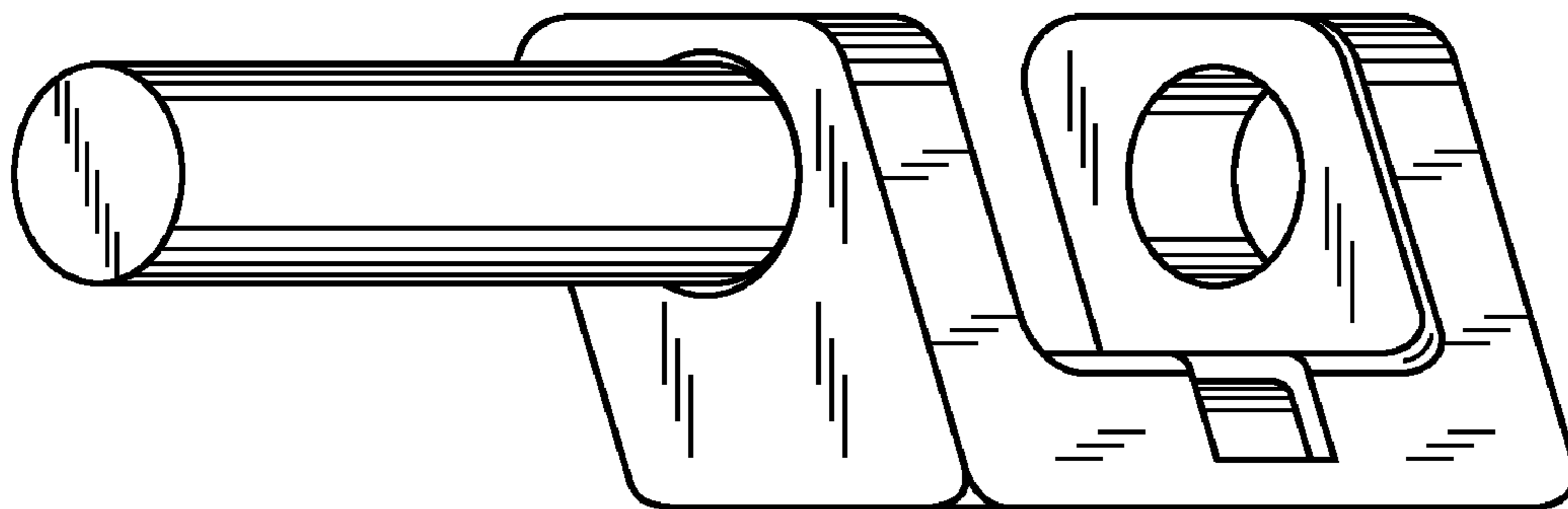


FIG. 9

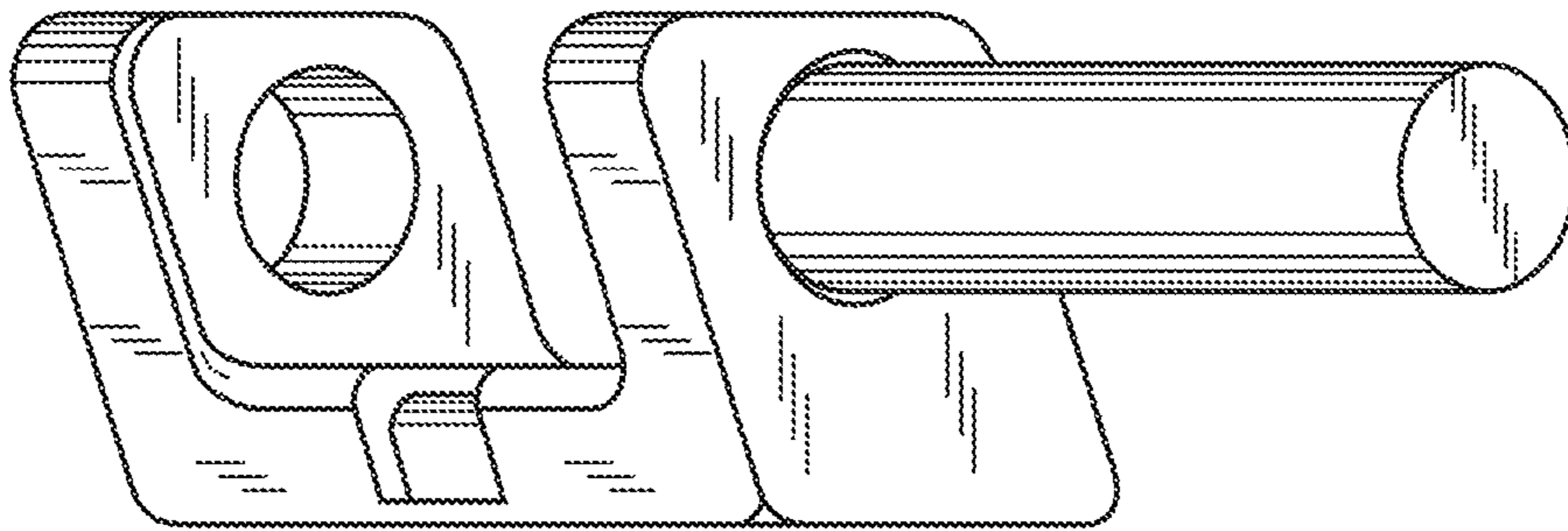


FIG. 10

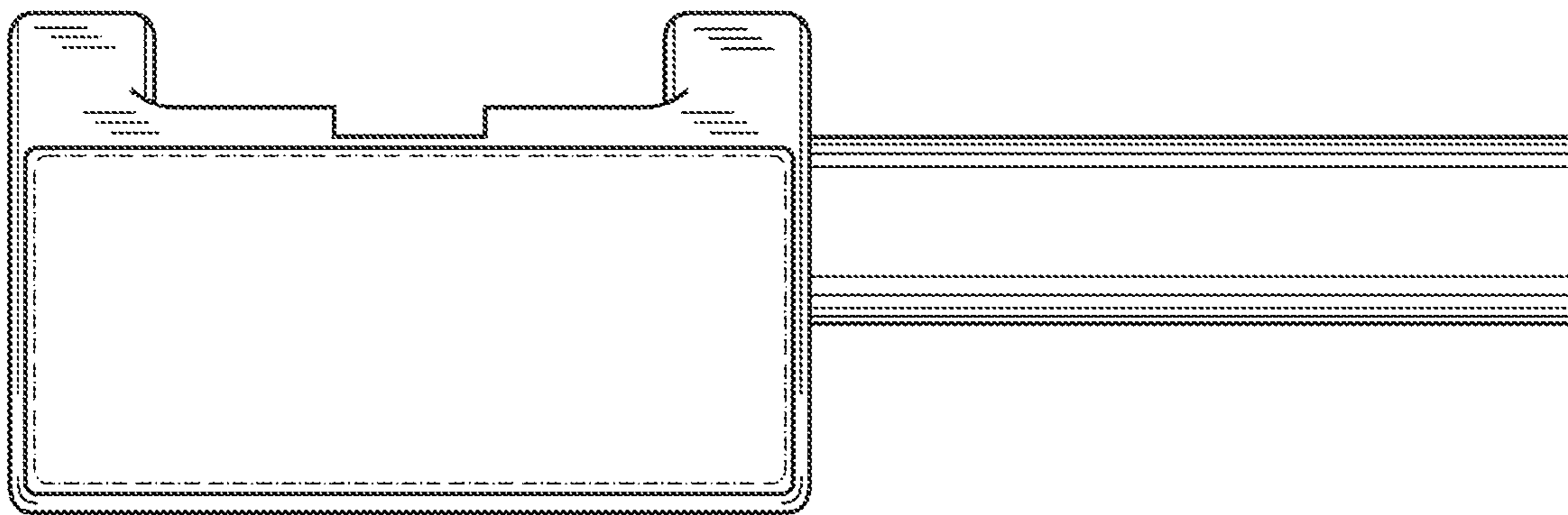


FIG. 11

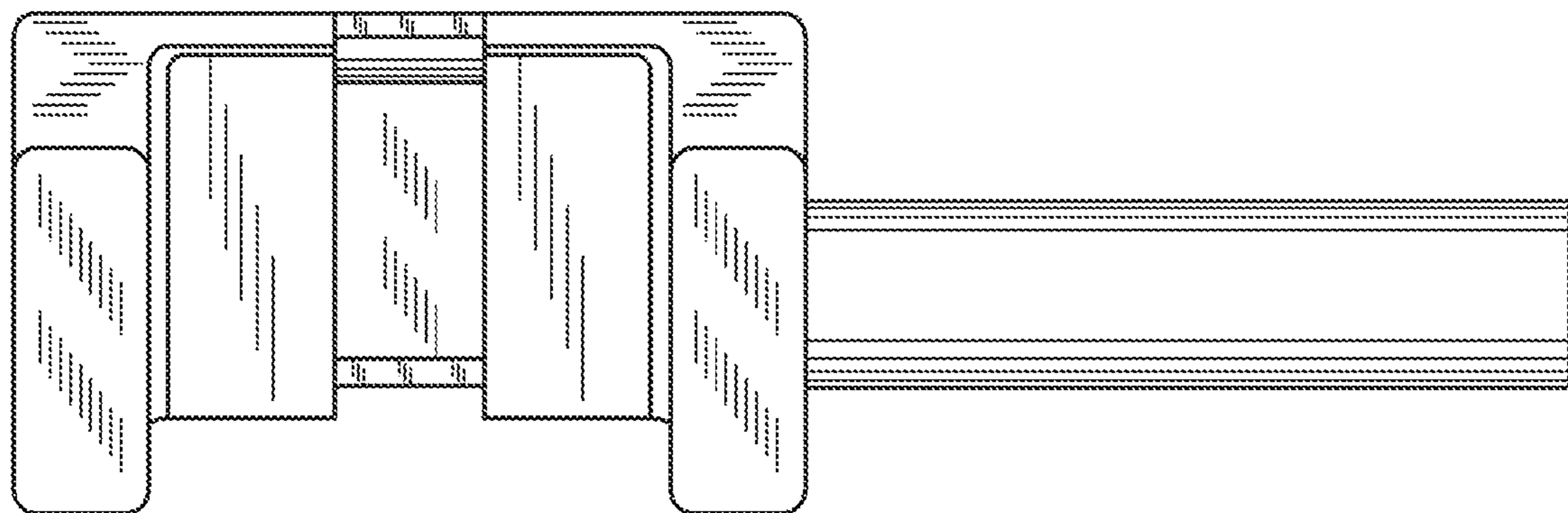


FIG. 12

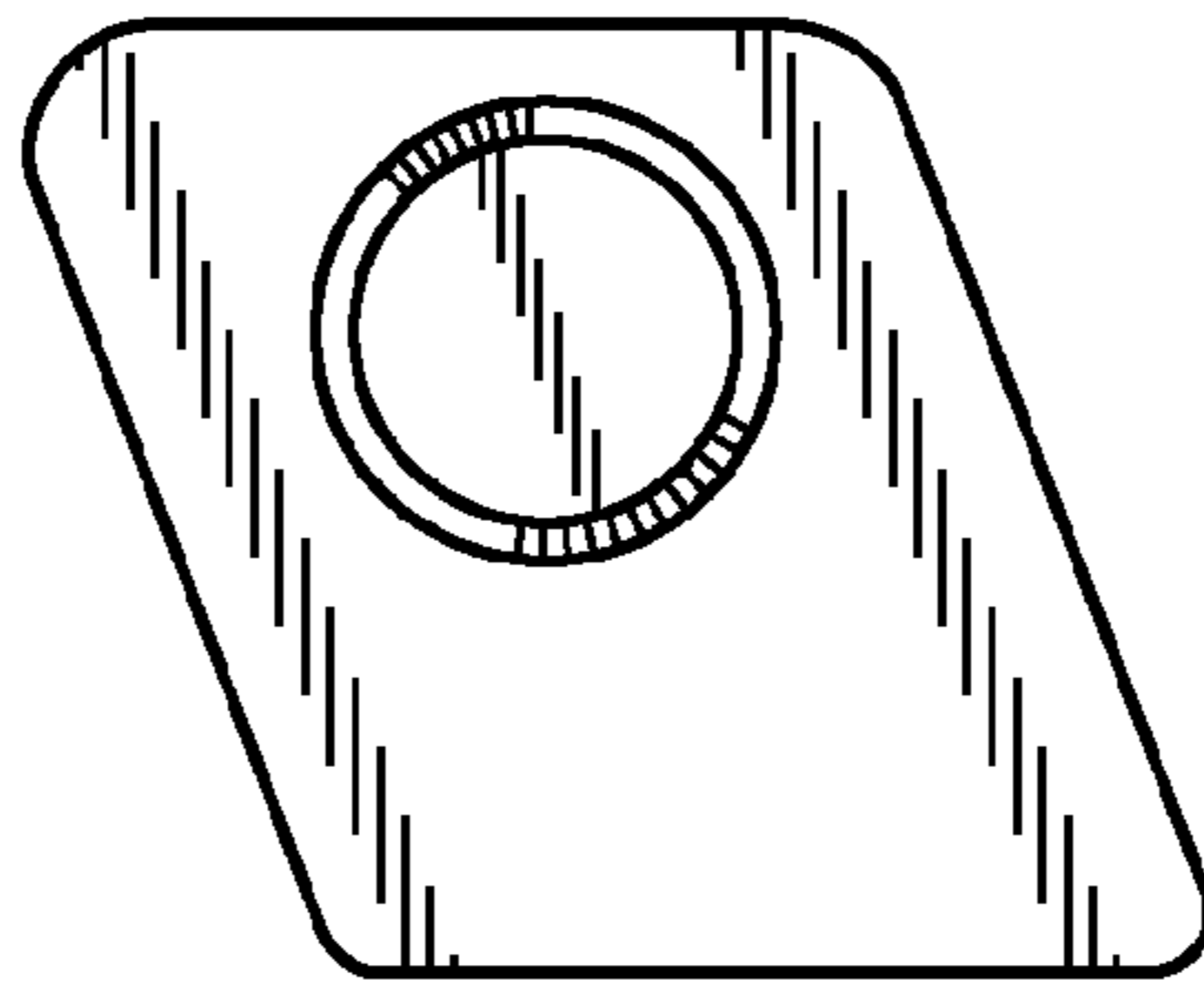


FIG. 13

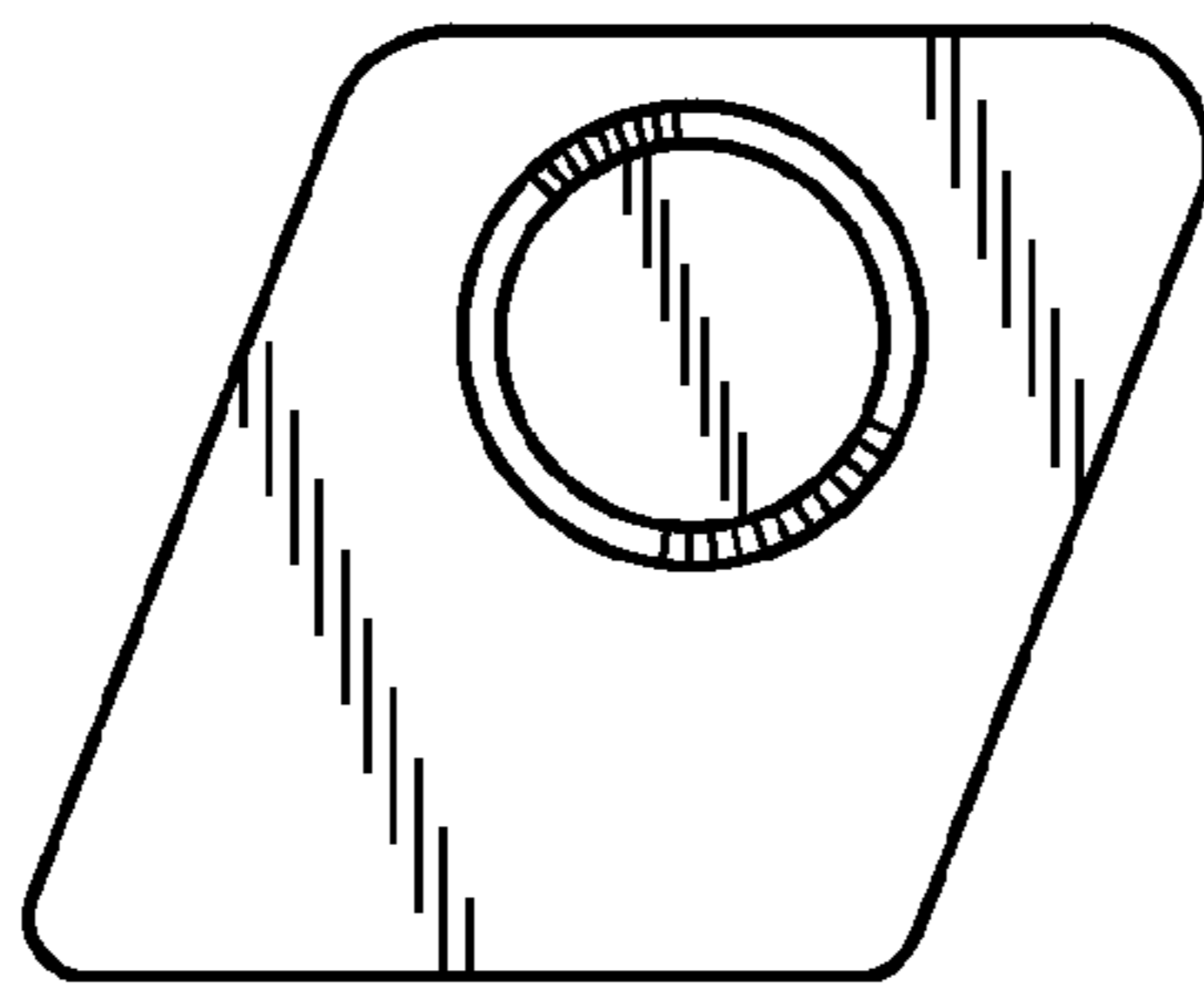


FIG. 14

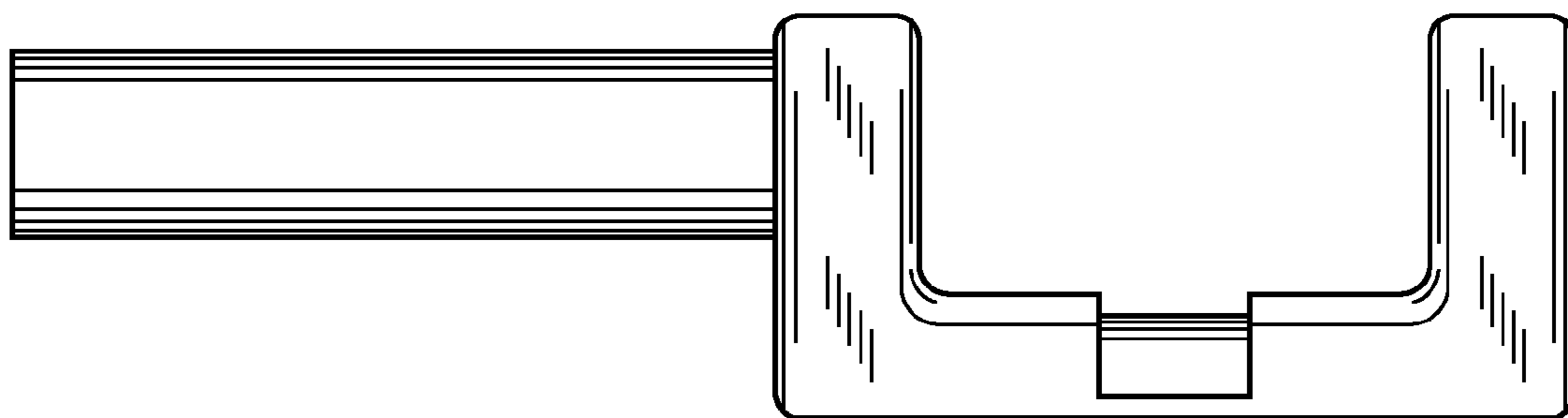


FIG. 15

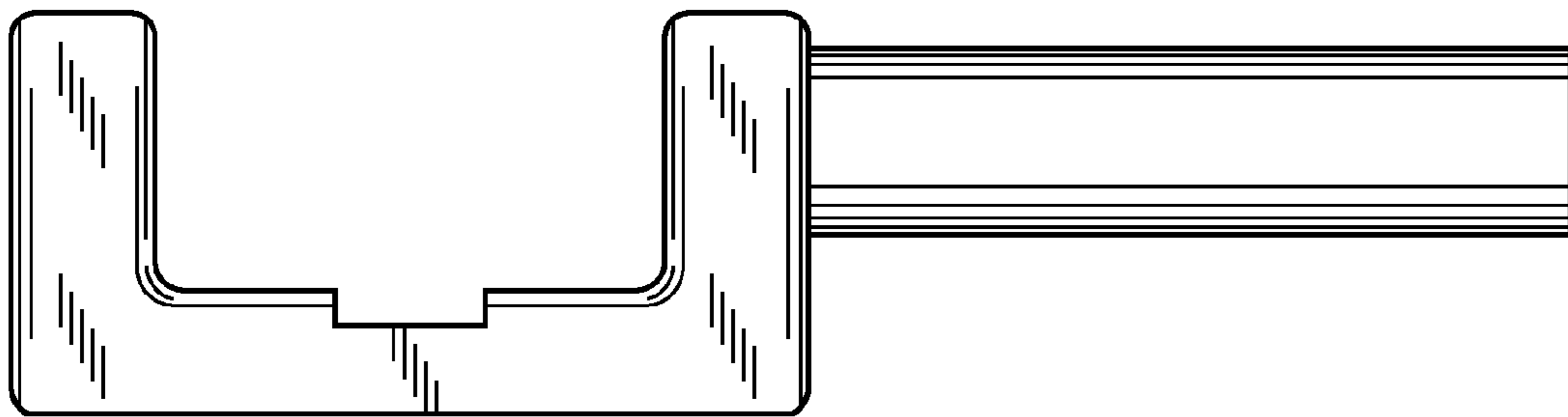


FIG. 16

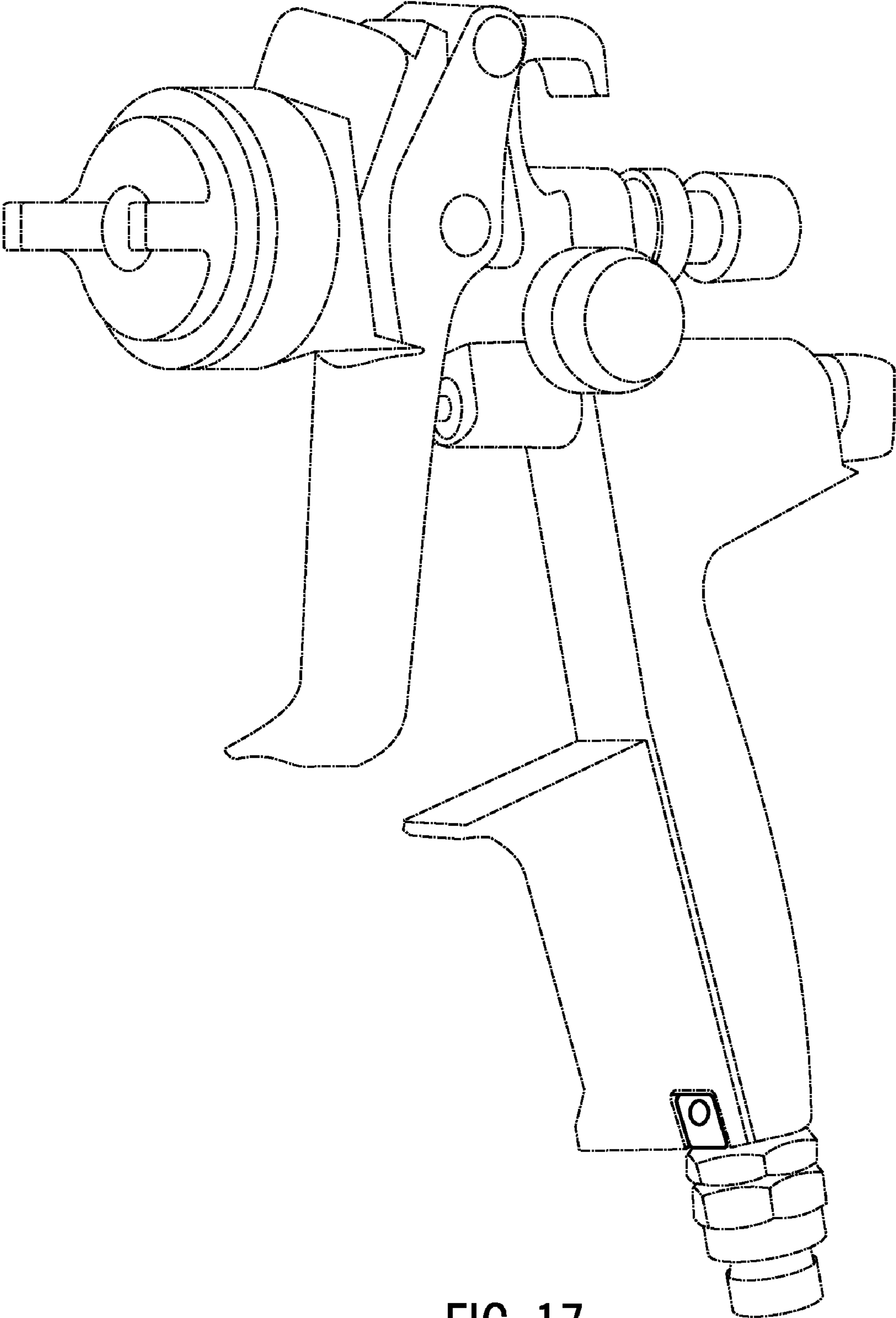


FIG. 17



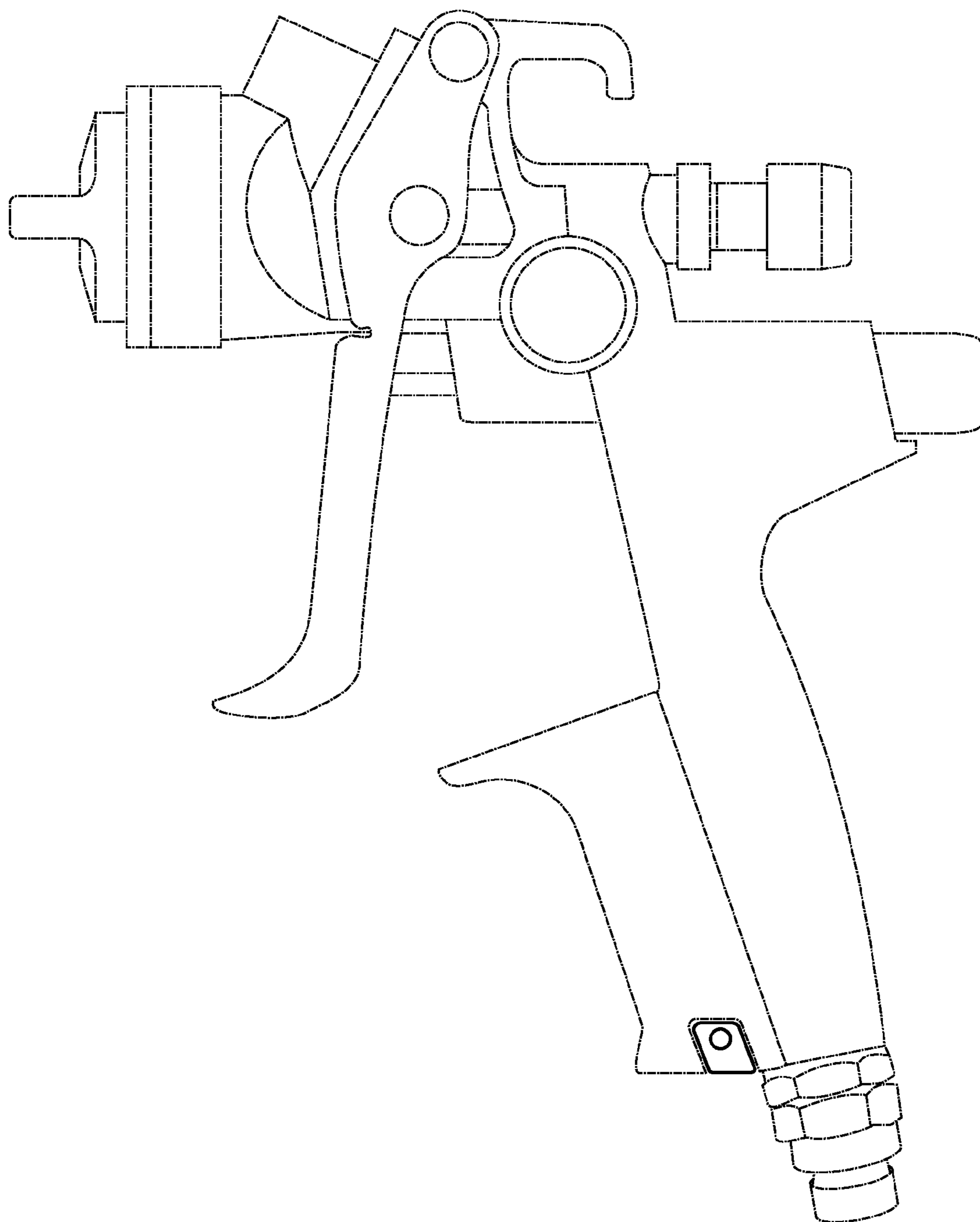


FIG. 18

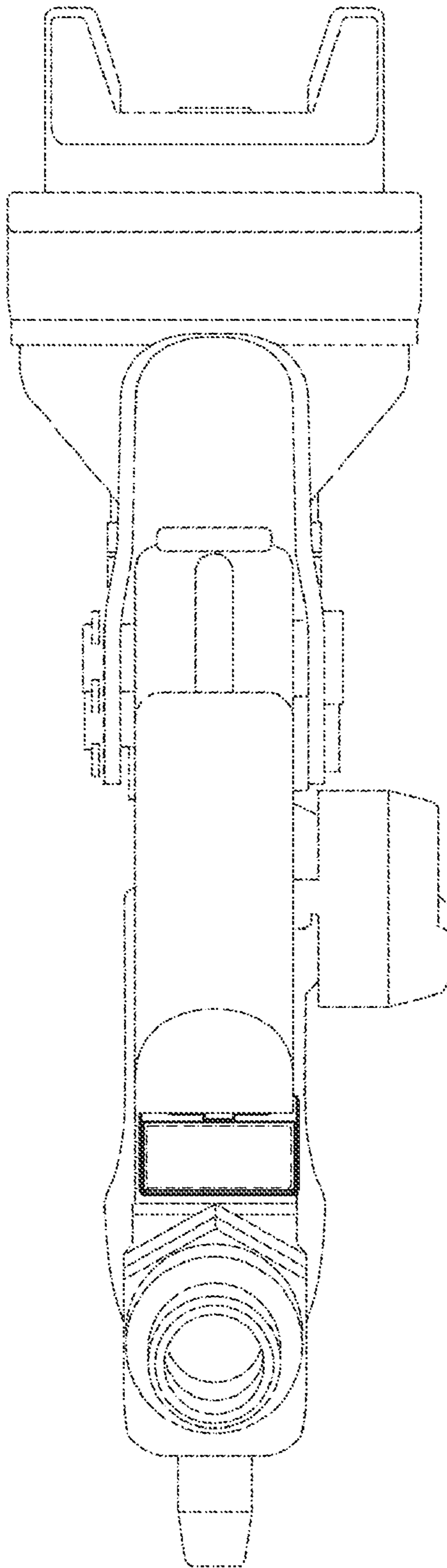


FIG. 19