



US00D655345S

(12) **United States Design Patent**
Maier-Hunke

(10) **Patent No.:** **US D655,345 S**
(45) **Date of Patent:** **** Mar. 6, 2012**

(54) **STAND FOR VISUAL DISPLAY BOARDS**

(56) **References Cited**

(75) Inventor: **Horst-Werner Maier-Hunke**, Iserlohn
(DE)

U.S. PATENT DOCUMENTS

D366,568 S *	1/1996	Pagano	D19/91
D381,212 S *	7/1997	Pagano	D6/300
D502,220 S *	2/2005	Stravitz	D19/90
D512,742 S *	12/2005	Andersson et al.	D19/90
D603,171 S *	11/2009	Chang	D6/419

(73) Assignee: **Durable Hunke & Jochheim & Co,**
KG, Iserlohn (DE)

* cited by examiner

(**) Term: **14 Years**

Primary Examiner — Brian N Vinson

(74) *Attorney, Agent, or Firm* — Mark P. Stone

(21) Appl. No.: **29/307,168**

(57) **CLAIM**

The ornamental design for a stand for visual display boards,
as shown and described.

(22) Filed: **Apr. 3, 2008**

DESCRIPTION

(30) **Foreign Application Priority Data**

Oct. 12, 2007 (EM) 000807508

(51) **LOC (9) Cl.** **19-01**

(52) **U.S. Cl.** **D19/90**

(58) **Field of Classification Search** D6/418-419,
D6/329, 396; D19/90-91; D8/373, 394,
D8/395; 211/13.1, 41.12, 42, 43, 44; 248/441.1,
248/447, 451, 456-457

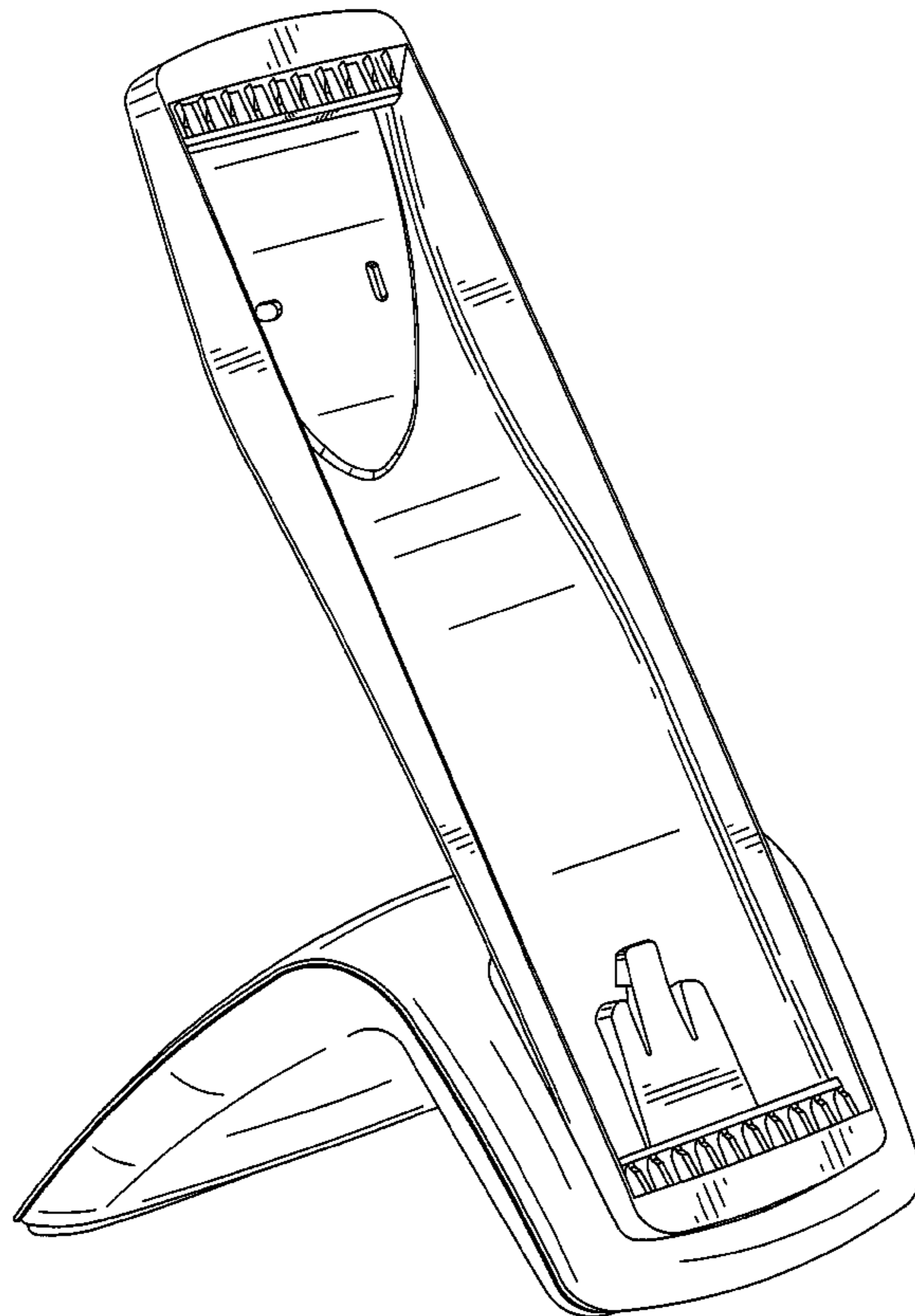
FIG. 1 is a perspective view, taken from the front, illustrating
my new design for a stand for visual display boards;
FIG. 2 is a perspective view, taken from the rear, illustrating
my new design for a stand for visual display boards;
FIG. 3 illustrates the design as shown in FIG. 2, in which
display boards are mounted to the stand; and,
FIG. 4 is a bottom view illustrating the underside of the stand
illustrated by FIGS. 1-3.

The display boards, illustrated in broken line in FIG. 3, do not
form part of the claimed design.

The portions of FIG. 4 shown in broken line represent
unclaimed subject matter.

See application file for complete search history.

1 Claim, 4 Drawing Sheets



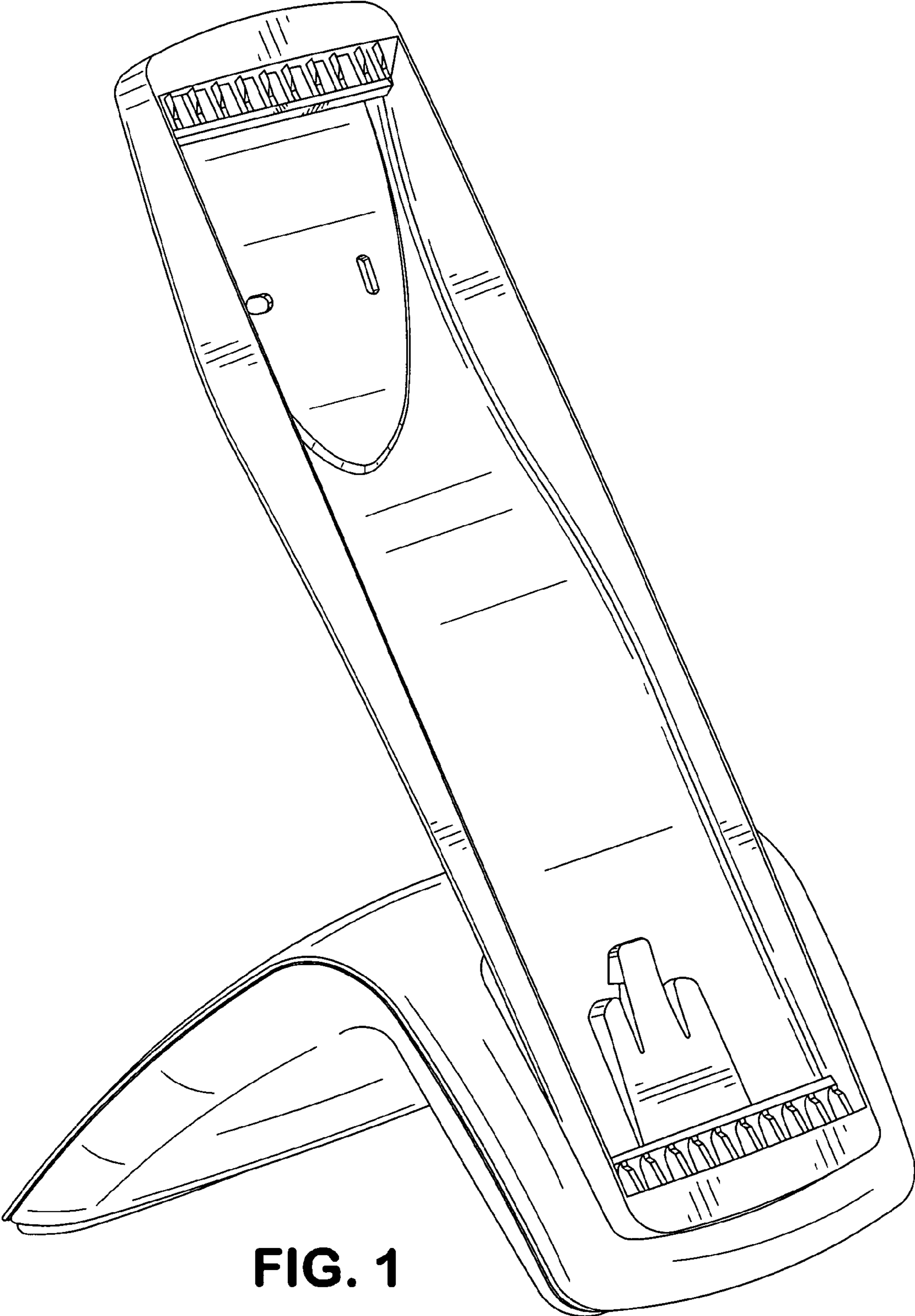


FIG. 1

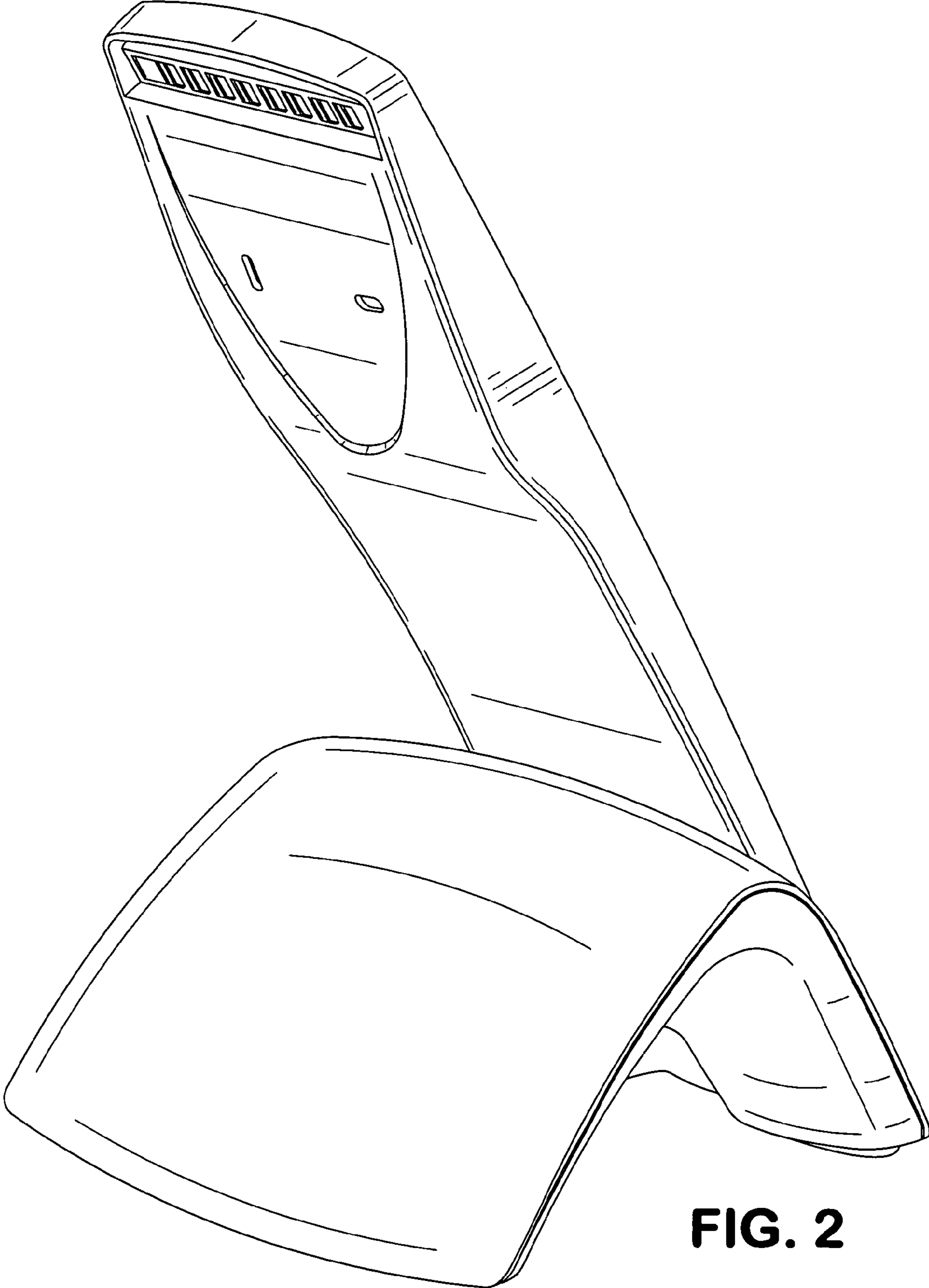


FIG. 2

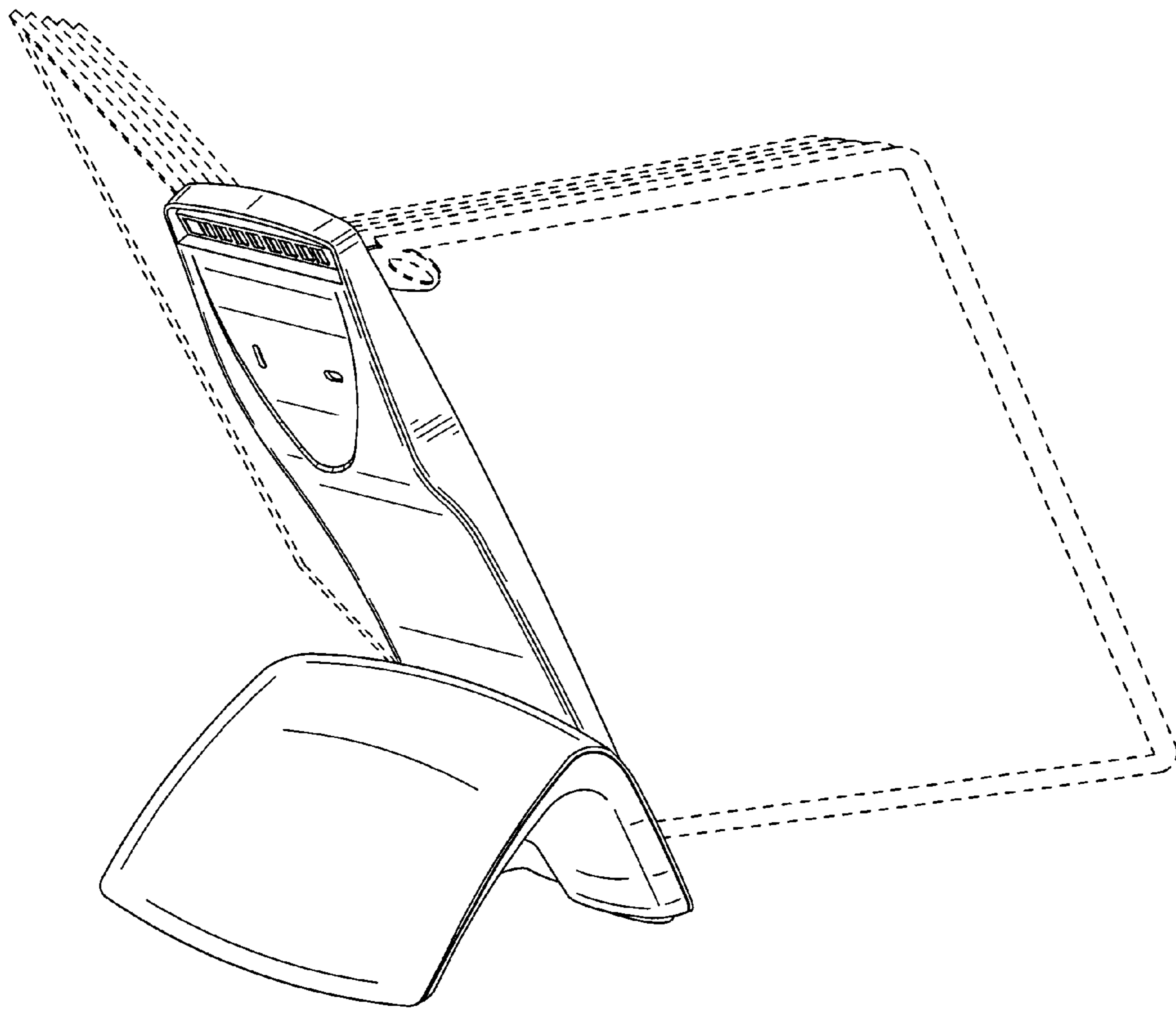


FIG. 3

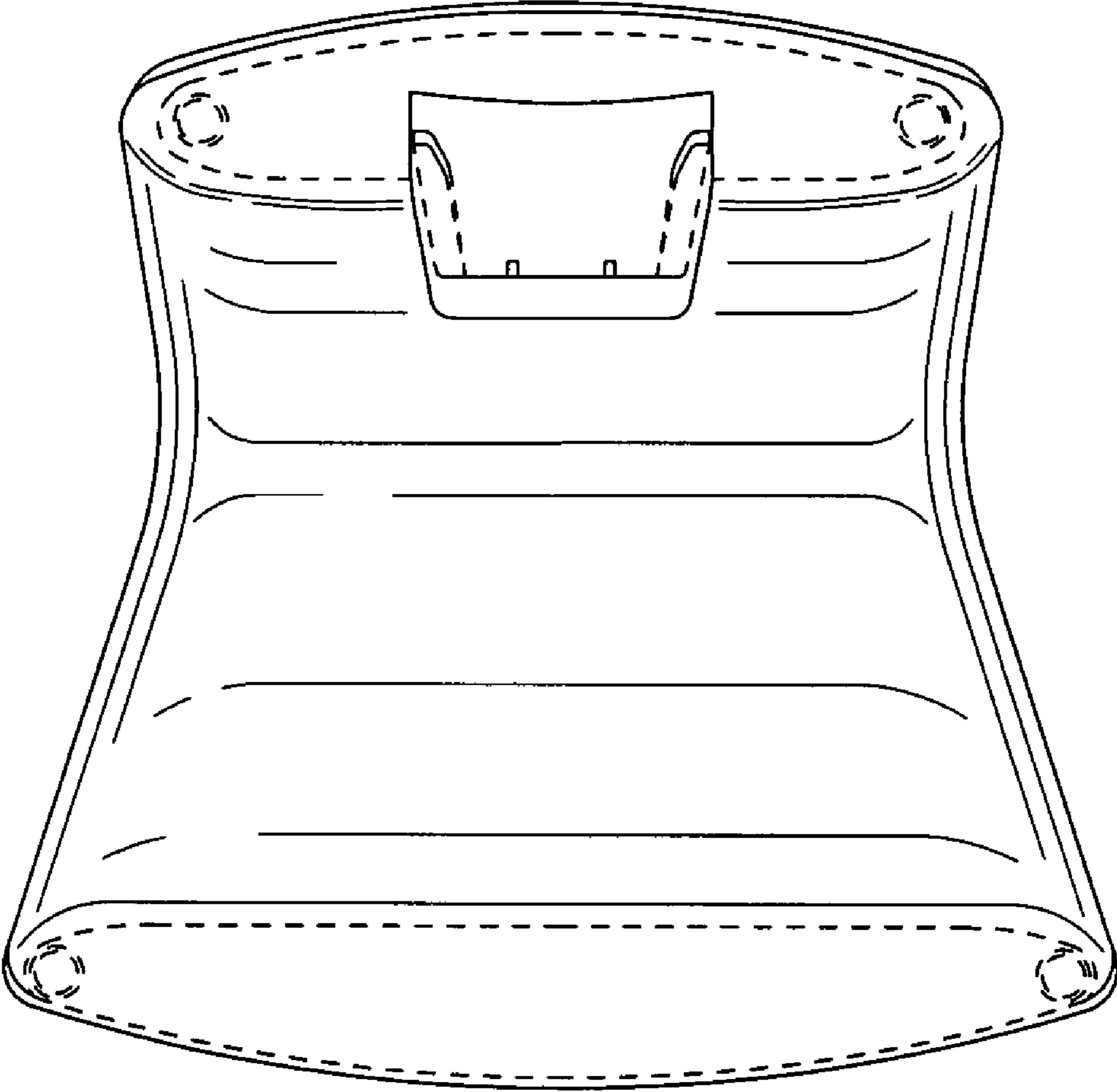


FIG. 4