



US00D655342S

(12) **United States Design Patent**
Ariga et al.

(10) **Patent No.:** **US D655,342 S**
(45) **Date of Patent:** **** Mar. 6, 2012**

(54) **FILM DISPENSING TOOL FOR STATIONERY**

(75) Inventors: **Hiroyuki Ariga**, Tokyo (JP); **Kazui Fueki**, Tokyo (JP); **Mari Takenaka**, Tokyo (JP)

(73) Assignee: **Plus Corporation**, Tokyo (JP)

(**) Term: **14 Years**

(21) Appl. No.: **29/389,822**

(22) Filed: **Apr. 18, 2011**

(30) **Foreign Application Priority Data**

Nov. 15, 2010 (JP) 2010-027439

(51) **LOC (9) Cl.** **19-02**

(52) **U.S. Cl.** **D19/69**

(58) **Field of Classification Search** D19/66,
D19/67, 68, 69, 70; 156/523, 257, 540, 577;
206/411; 225/6, 25, 39, 77; 242/588, 588.1,
242/588.2, 588.3, 588.6, 5

See application file for complete search history.

(56) **References Cited**

U.S. PATENT DOCUMENTS

D475,747 S *	6/2003	Ono	D19/69
D506,508 S *	6/2005	Shimizu et al.	D19/69
D581,466 S *	11/2008	Lin	D19/69
D601,625 S *	10/2009	Yeh	D19/36
D615,126 S *	5/2010	Syal	D19/69
D619,174 S *	7/2010	Yeh	D19/69
D619,655 S *	7/2010	Suzuki	D19/69

D620,527 S *	7/2010	Suzuki	D19/69
D636,025 S *	4/2011	Kouda	D19/69
2003/0062135 A1 *	4/2003	Takahashi	156/577
2006/0257195 A1 *	11/2006	Chen	400/697
2008/0173406 A1 *	7/2008	Wu	156/540

* cited by examiner

Primary Examiner — Austin Murphy

(74) *Attorney, Agent, or Firm* — William J. Sapone;
Coleman Sudol Sapone P.C.

(57) **CLAIM**

We claim the ornamental design for a film dispensing tool for stationery, as shown and described.

DESCRIPTION

FIG. 1 is a front view of the film dispensing tool for stationery showing our new design, the design having transparent section as illustrated in FIG. 7;

FIG. 2 is a rear view thereof;

FIG. 3 is a left side view thereof;

FIG. 4 is a right side view thereof;

FIG. 5 is a top view thereof;

FIG. 6 is a bottom view thereof;

FIG. 7 is a front perspective view thereof;

FIG. 8 is a front view thereof with a tip of the film dispensing tool in a retracted position;

FIG. 9 is a rear view thereof;

FIG. 10 is a left side view thereof;

FIG. 11 is a right side view thereof;

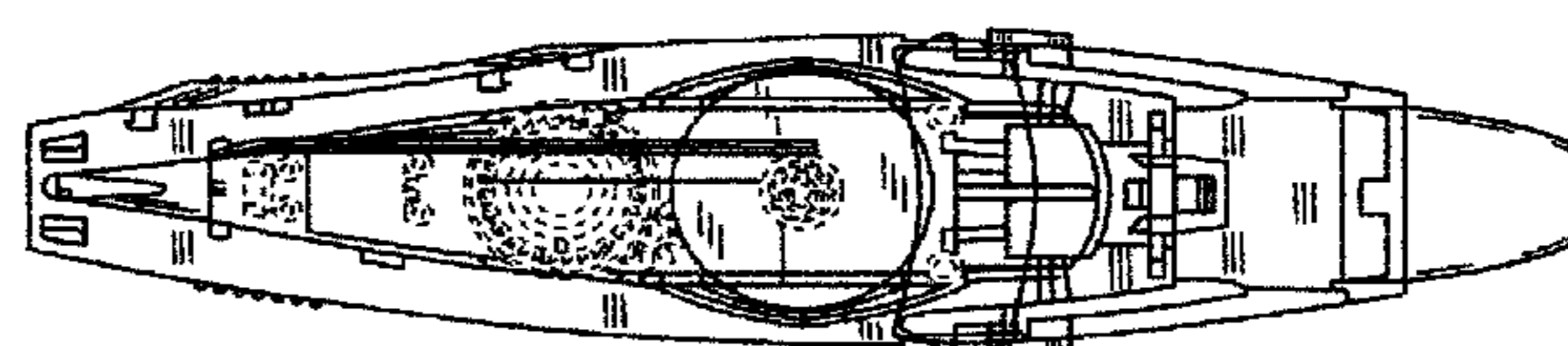
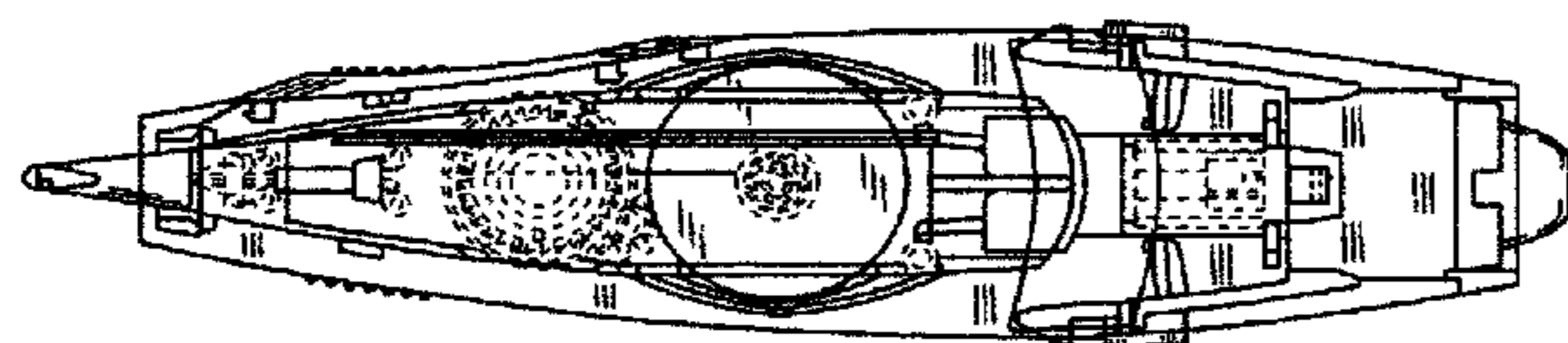
FIG. 12 is a top view thereof;

FIG. 13 is a bottom view thereof; and,

FIG. 14 is a front perspective view thereof.

The portions of the film dispensing tool for stationery shown in broken lines form no part of the claimed design.

1 Claim, 4 Drawing Sheets



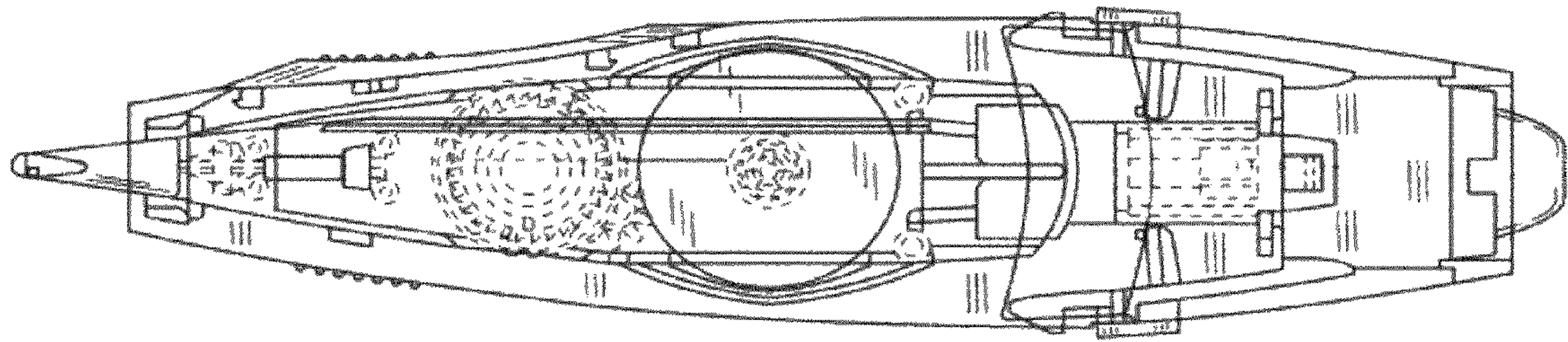


FIG. 1

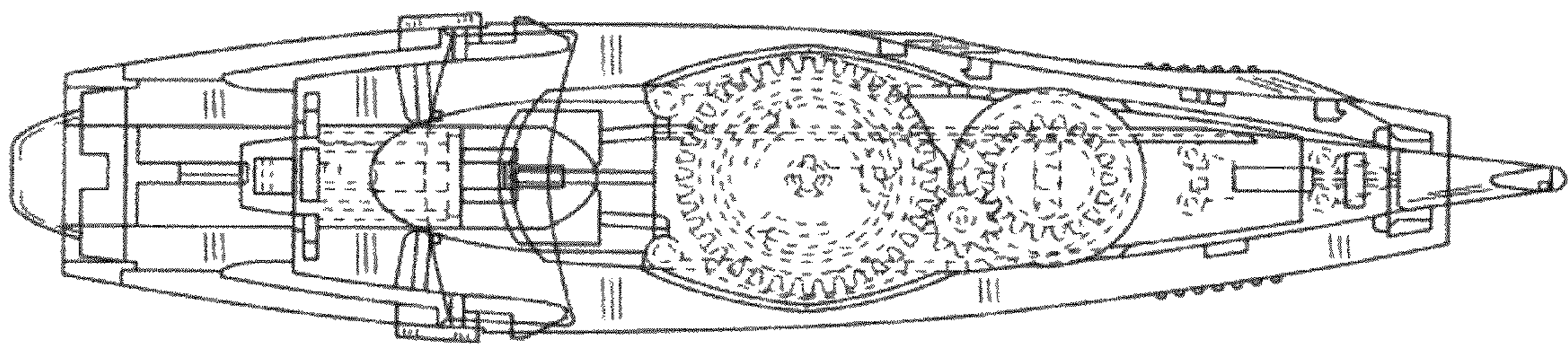


FIG. 2

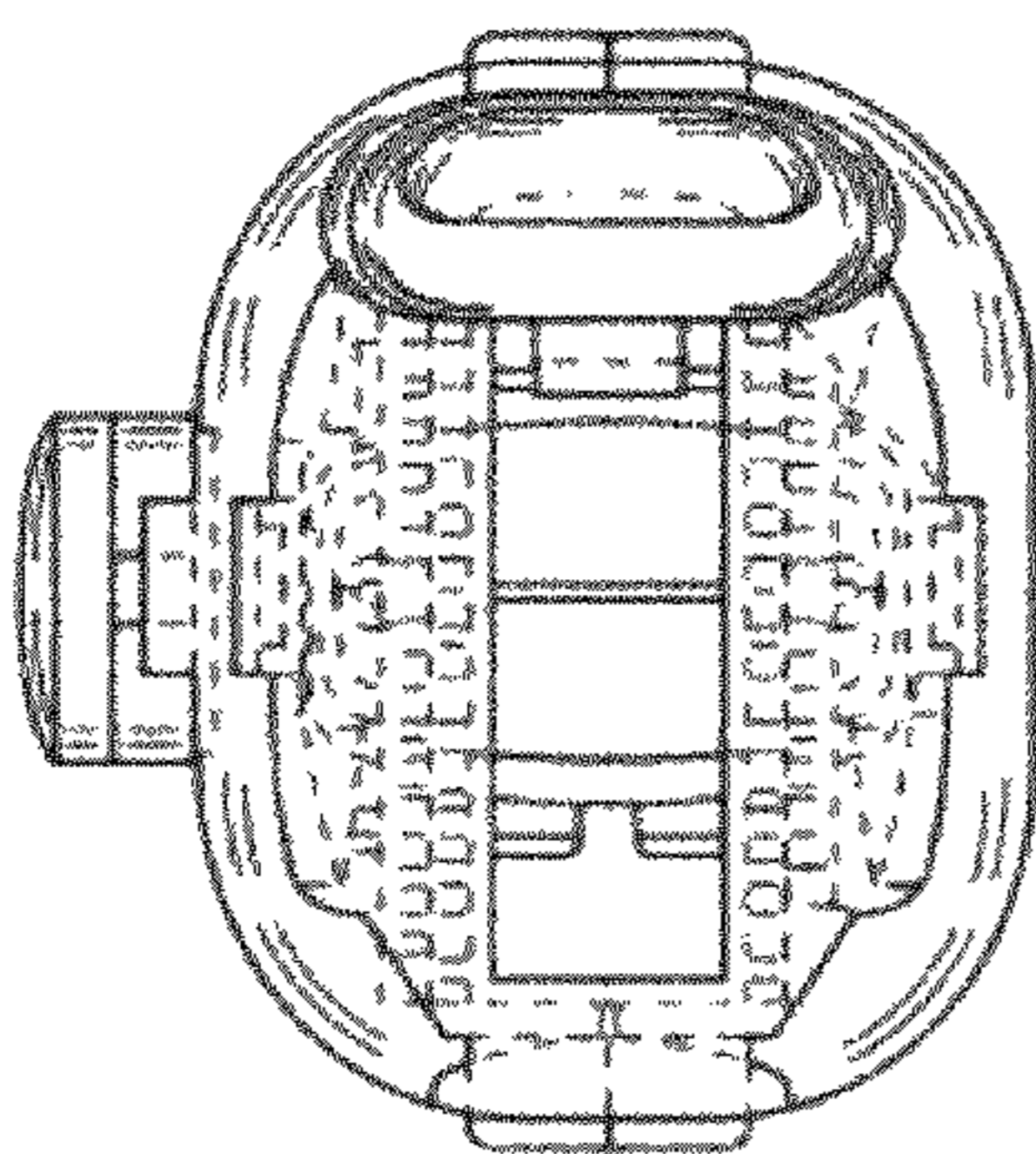


FIG. 3

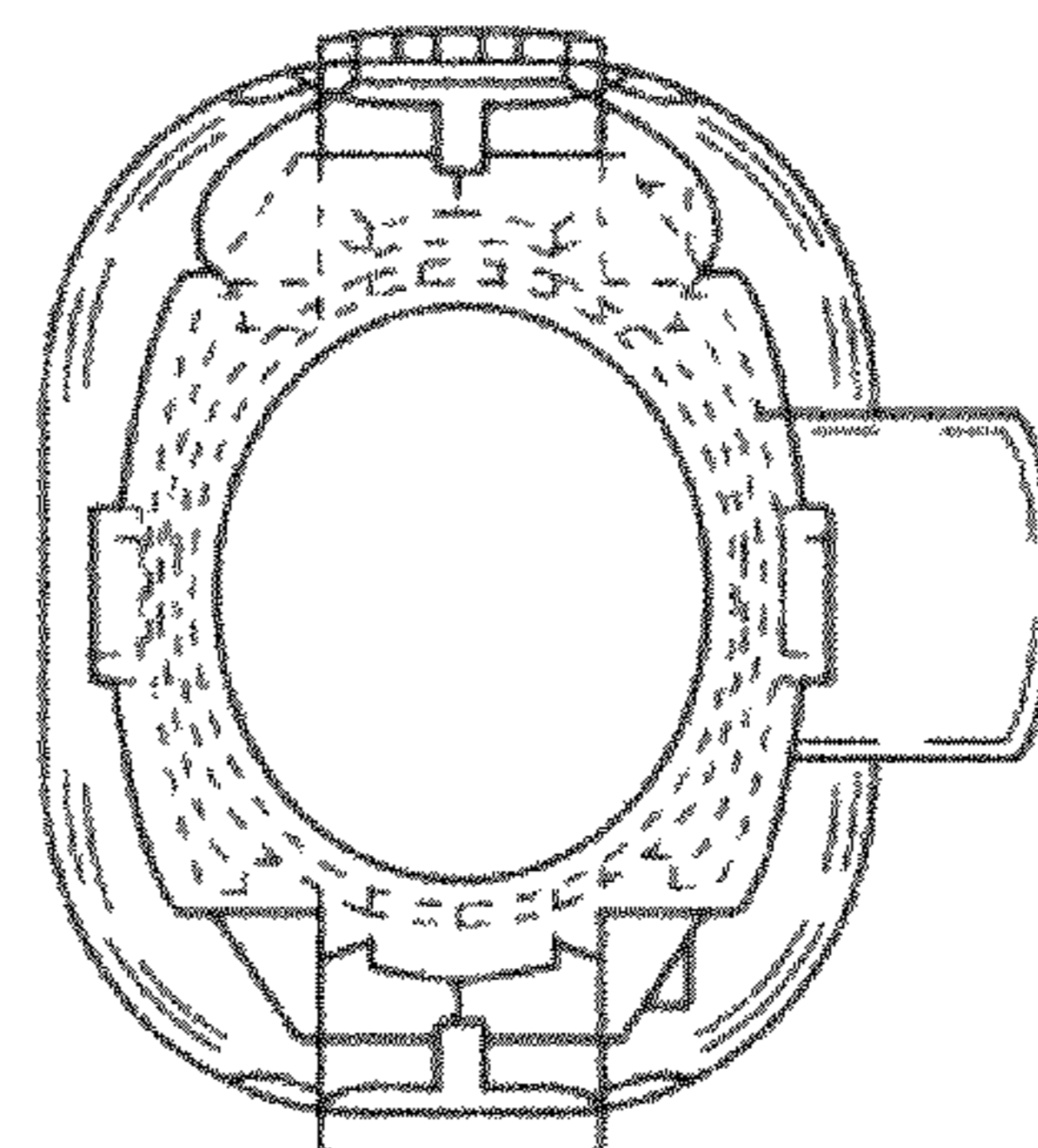


FIG. 4

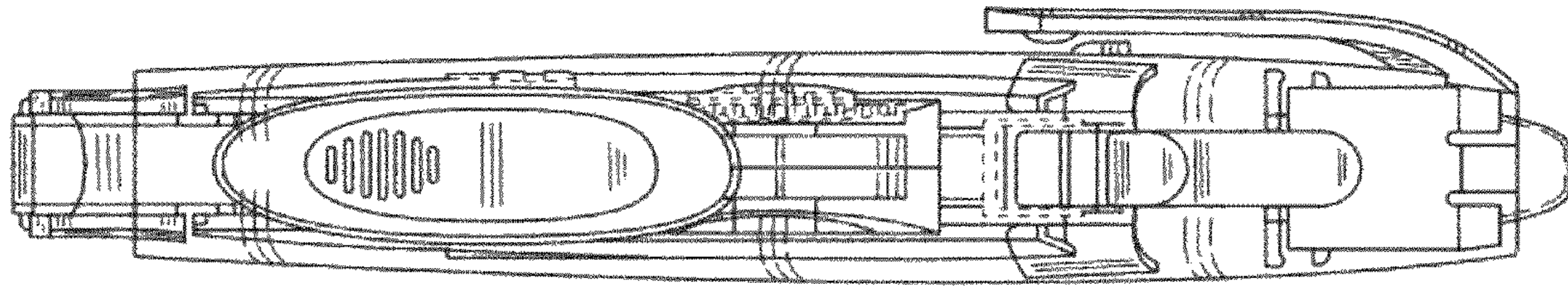


FIG. 5

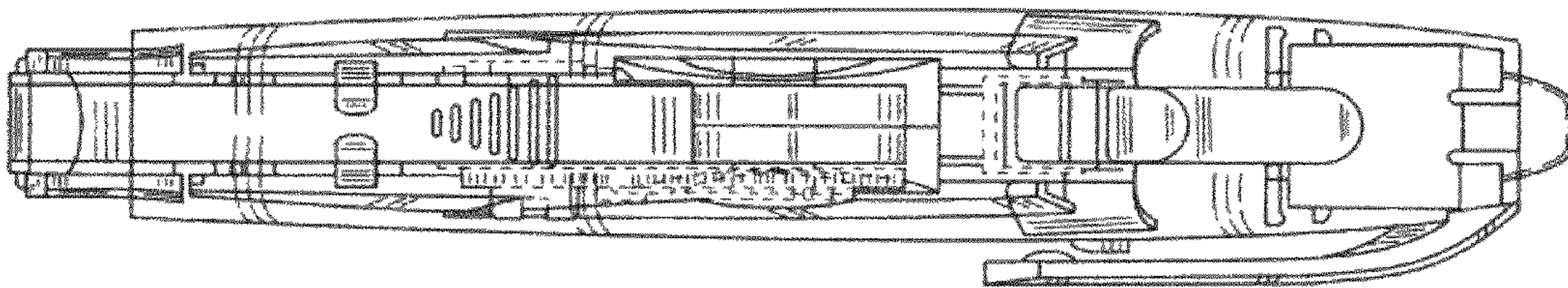


FIG. 6

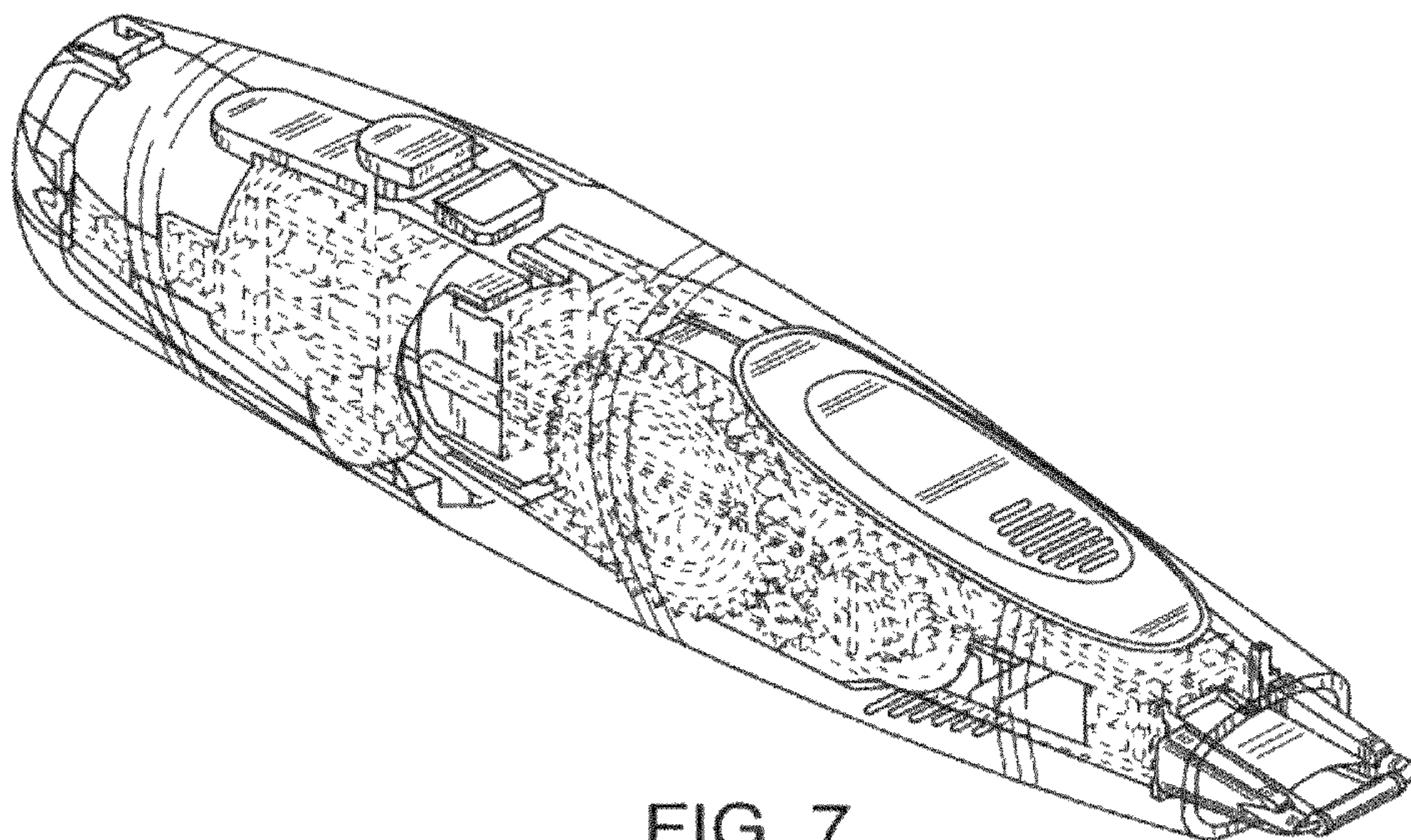


FIG. 7

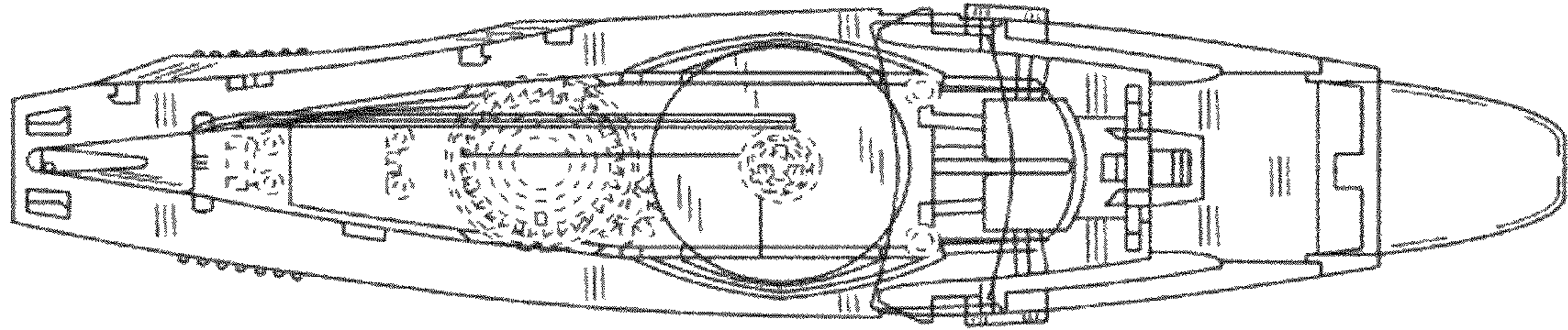


FIG. 8

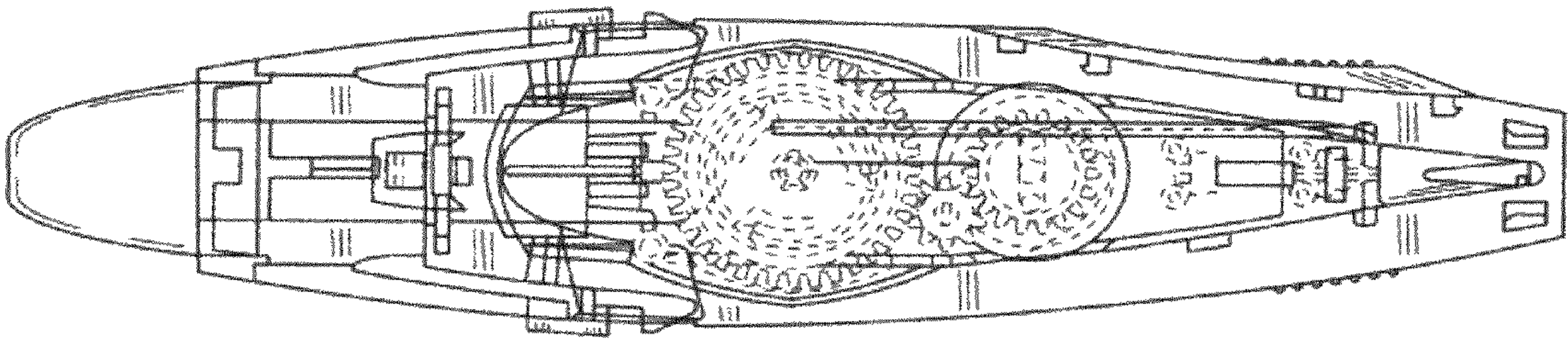


FIG. 9

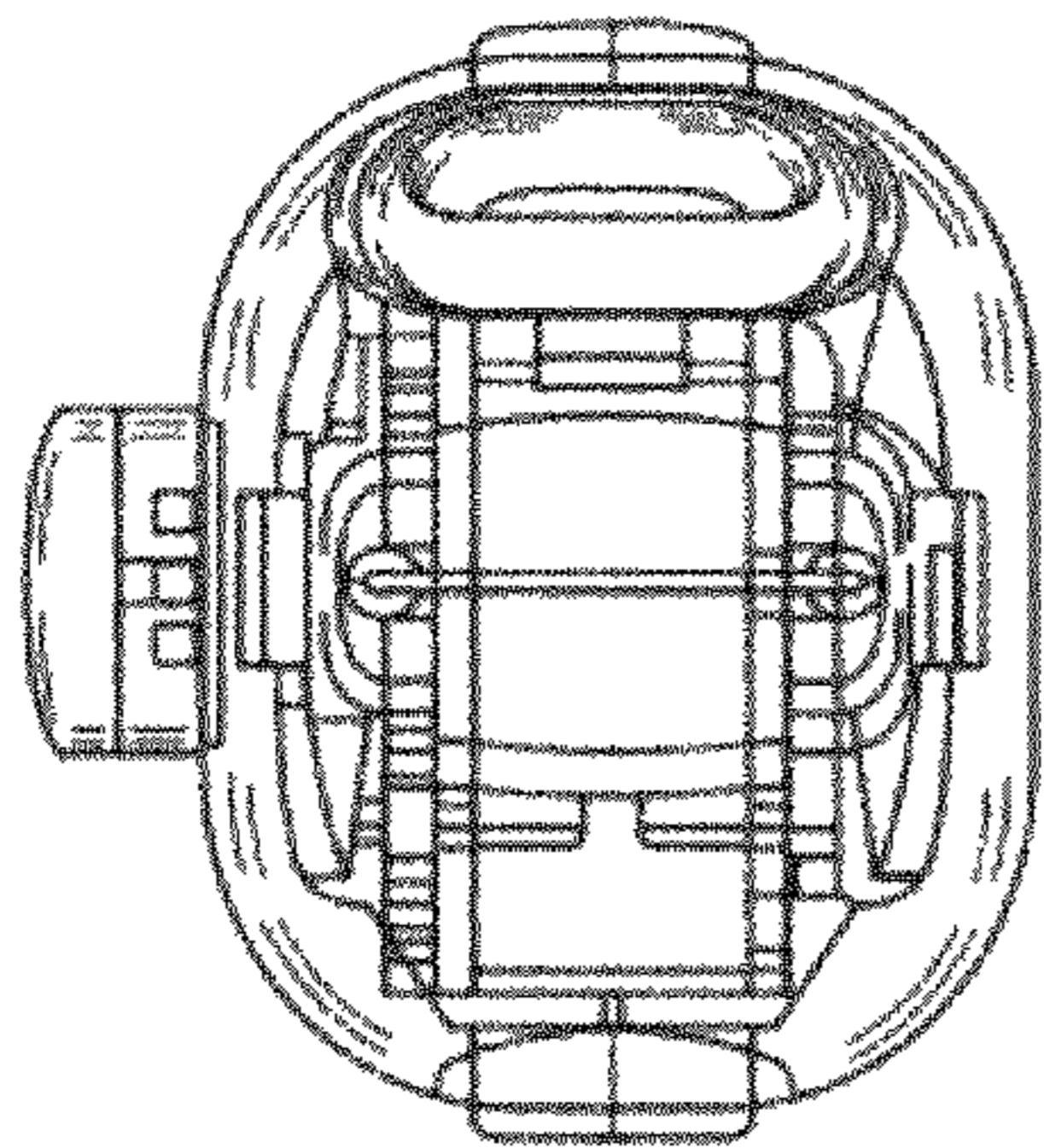


FIG. 10

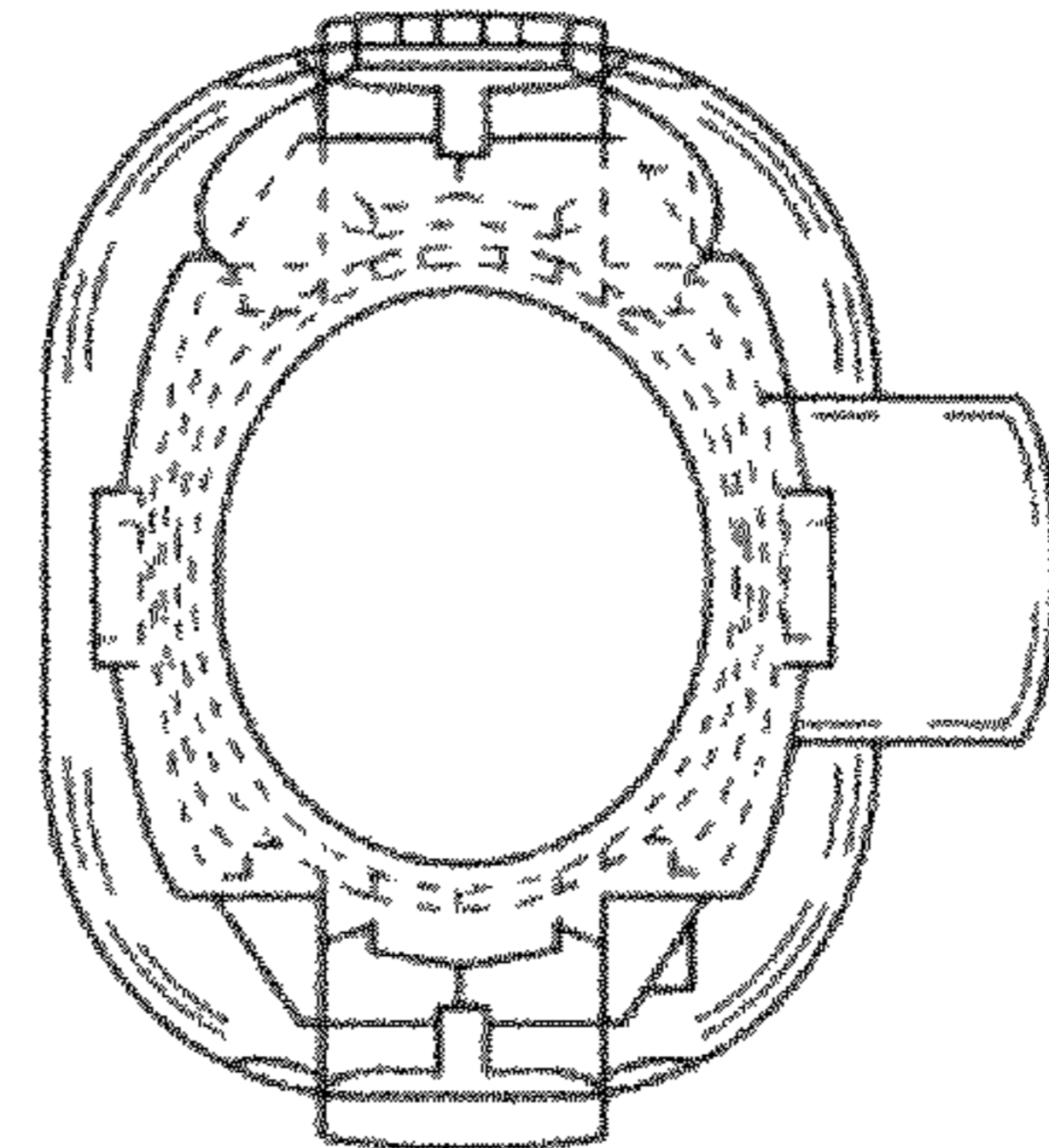


FIG. 11

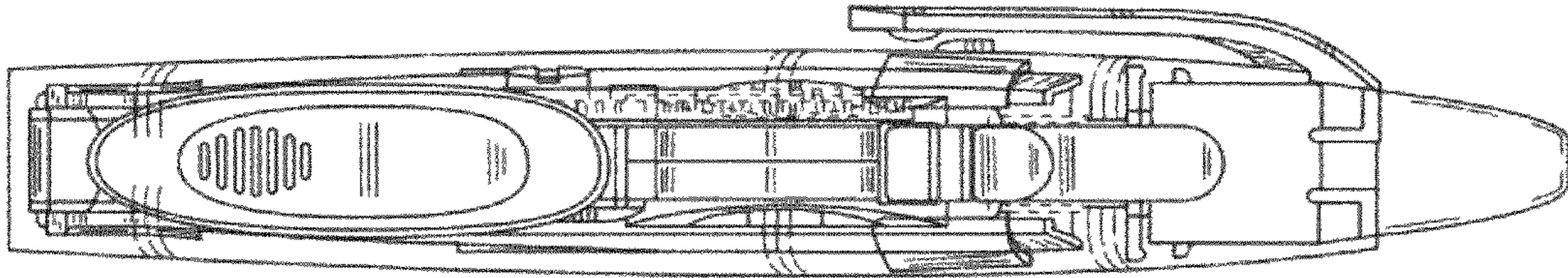


FIG. 12

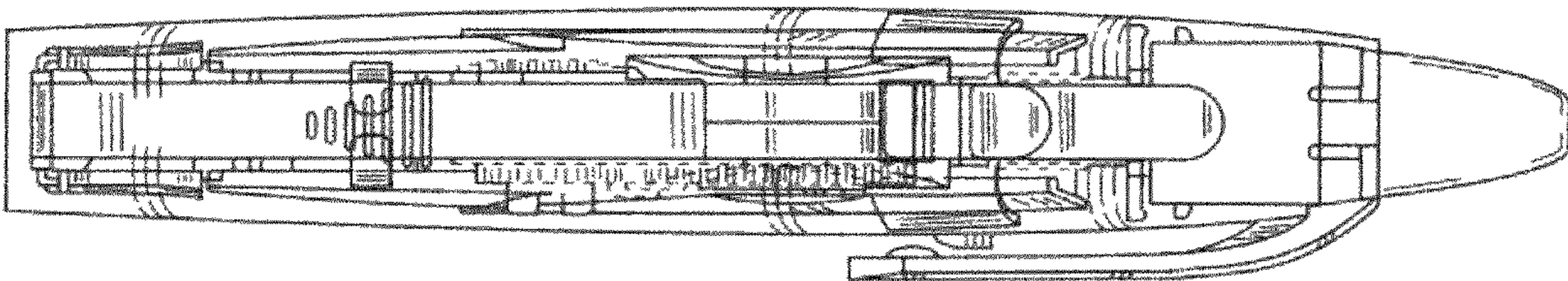


FIG. 13

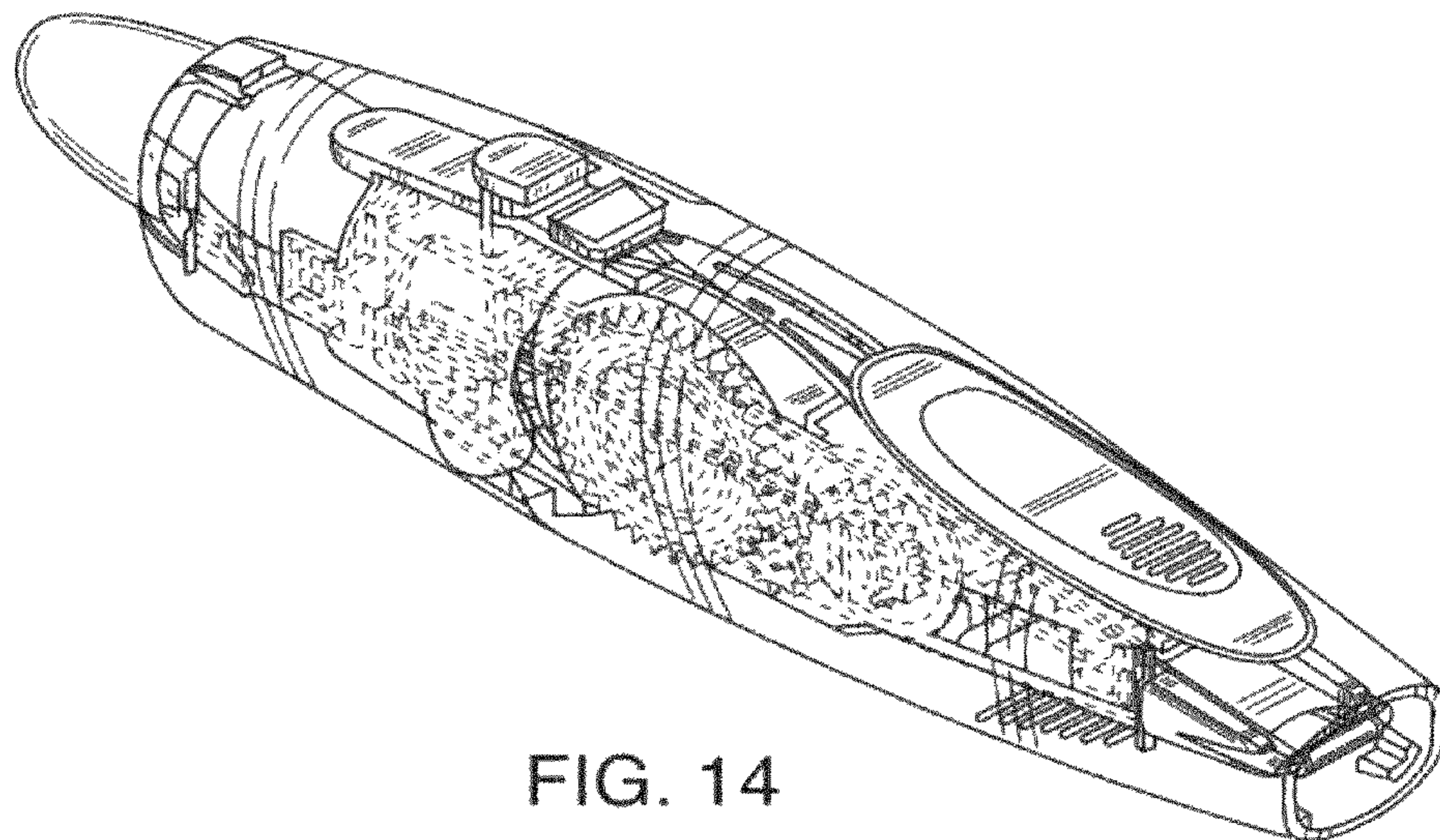


FIG. 14