



US00D655341S

(12) **United States Design Patent**
Yanagawa et al.

(10) **Patent No.:** **US D655,341 S**
(45) **Date of Patent:** **** Mar. 6, 2012**

(54) **ADHESIVE TAPE**

(75) Inventors: **Toshiyuki Yanagawa**, Chikusei (JP);
Kazuyuki Watanabe, Chikusei (JP)

(73) Assignee: **Hitachi Chemical Company, Ltd.**,
Tokyo (JP)

(**) Term: **14 Years**

(21) Appl. No.: **29/365,982**

(22) Filed: **Jul. 16, 2010**

Related U.S. Application Data

(63) Continuation-in-part of application No. 12/447,927,
filed as application No. PCT/JP2007/071004 on Oct.
29, 2007.

(30) **Foreign Application Priority Data**

Oct. 31, 2006 (JP) P2006-295790
Jun. 27, 2007 (JP) P2007-169420

(51) **LOC (9) Cl.** **19-02**

(52) **U.S. Cl.** **D19/69**

(58) **Field of Classification Search** D10/71;
D19/69; D24/189; D5/99; 33/494, 758,
33/562, 759; 101/288; 206/390; 40/638,
40/641; 428/43, 42.3; D32/40; 156/192,
156/184

See application file for complete search history.

(56) **References Cited**

U.S. PATENT DOCUMENTS

1,286,462 A * 12/1918 Wesche 446/122
3,648,835 A * 3/1972 Yucel 428/156
4,007,835 A * 2/1977 Klothe 206/411

(Continued)

FOREIGN PATENT DOCUMENTS

JP 56-107847 8/1981

(Continued)

OTHER PUBLICATIONS

Microfilm of the specification and drawings annexed to the request of
Japanese Utility Model Application No. 5693/1980 (Laid-open No.
107847/1981), Aug. 21, 1981.

(Continued)

Primary Examiner — Austin Murphy

(74) *Attorney, Agent, or Firm* — Griffin & Szipl, P.C.

(57) **CLAIM**

The ornamental design for an adhesive tape, as shown and
described.

DESCRIPTION

FIG. 1 is a perspective view of the adhesive tape of the present
invention.

FIG. 2 is a front view of the adhesive tape of the present
invention.

FIG. 3 is a rear view of the adhesive tape of the present
invention.

FIG. 4 is a top view of the adhesive tape of the present
invention.

FIG. 5 is a side view of the right side of the adhesive tape of
the present invention.

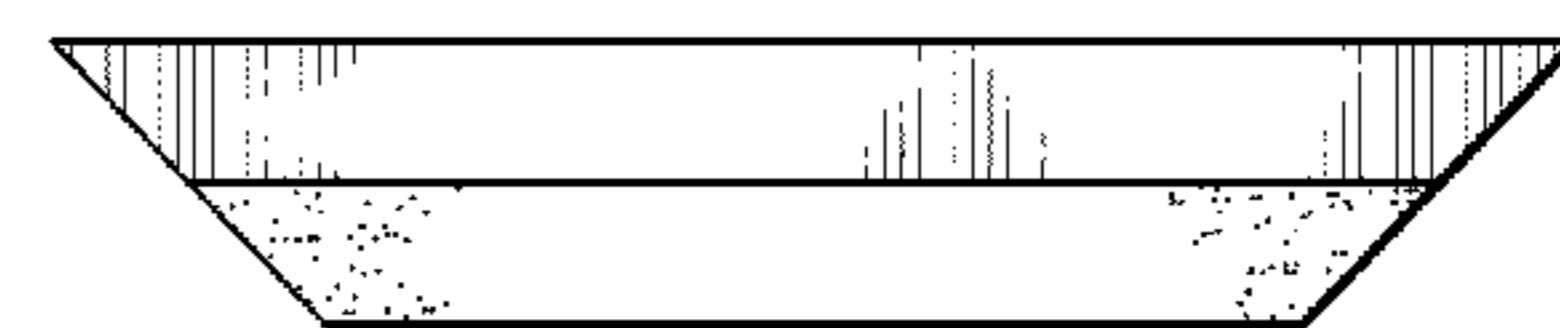
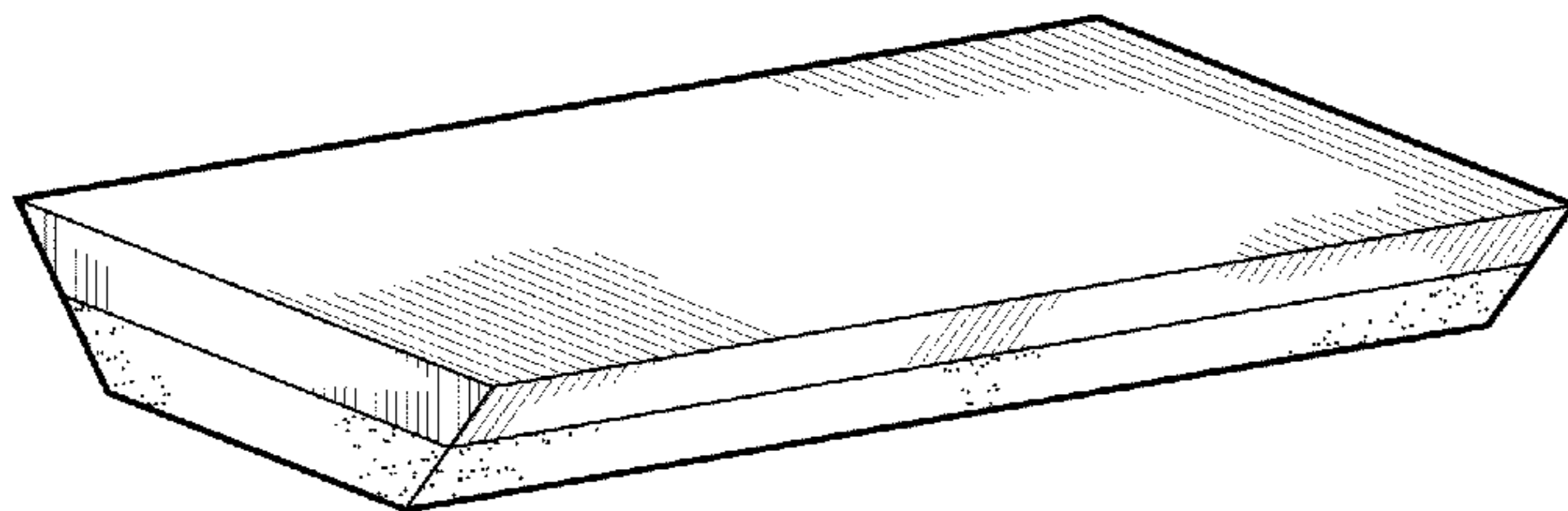
FIG. 6 is a side view of the left side of the adhesive tape of the
present invention.

FIG. 7 is a bottom view of the adhesive tape of the present
invention; and,

FIG. 8 is a perspective view of an elongated version of the
embodiment configured as a roll.

Any indicia shown in broken lines in the drawings form no
part of the design to be patented. The adhesive tape includes
two different materials incorporated in the design. More spe-
cifically, a stippling pattern is used to indicate the adhesive
material and linear shading is used to indicate a material of a
support base. The stippling pattern and the linear shading
themselves do not form part of the design.

1 Claim, 4 Drawing Sheets



US D655,341 S

Page 2

U.S. PATENT DOCUMENTS

4,297,403 A * 10/1981 Smith 428/42.3
4,781,929 A * 11/1988 Hoashi 426/92
5,234,517 A * 8/1993 Pape et al. 156/192
5,453,141 A * 9/1995 Rodriguez 156/184
5,712,210 A * 1/1998 Windisch et al. 442/320
5,763,038 A * 6/1998 Wood 428/43
D421,528 S * 3/2000 Shakora D5/99
6,254,582 B1 * 7/2001 O'Donnell et al. 604/385.05
D472,319 S * 3/2003 Oltmann D24/189
D490,470 S * 5/2004 Fujii D19/69
D490,855 S * 6/2004 Fujii D19/69
D492,353 S * 6/2004 Fujii D19/69
D492,354 S * 6/2004 Fujii D19/69
6,756,102 B1 * 6/2004 Galo 428/43
6,772,532 B1 * 8/2004 Honea 33/759
6,831,049 B1 * 12/2004 Torres Moreno 510/243
D571,859 S * 6/2008 Harmston D19/69
D572,156 S * 7/2008 Payne D10/71
D600,284 S * 9/2009 Yonestu et al. D19/69
D602,988 S * 10/2009 Alicea et al. D19/69
D602,989 S * 10/2009 Alicea et al. D19/69

D611,541 S * 3/2010 Yonestu et al. D19/69
D621,051 S * 8/2010 Kase et al. D24/189
D625,063 S * 10/2010 Armaly, Jr. D32/40

FOREIGN PATENT DOCUMENTS

JP 1-113480 5/1989
JP 2000-203427 7/2000
JP 2001-316647 11/2001
JP 2002-203427 7/2002
KR 10-2005-0117532 A 12/2005
WO 98/44067 10/1998
WO 2008/053824 A1 8/2008

OTHER PUBLICATIONS

International Search Report issued in corresponding application No. PCT/JP2007/071004, completed Nov. 29, 2007 and mailed Dec. 11, 2007.

English translation of the International Preliminary Report on Patentability issued on Jun. 4, 2009 in a related PCT application.

Office Action issued in Korean application 10-2009-7011180, dated Mar. 11, 2011 (no translation available).

* cited by examiner

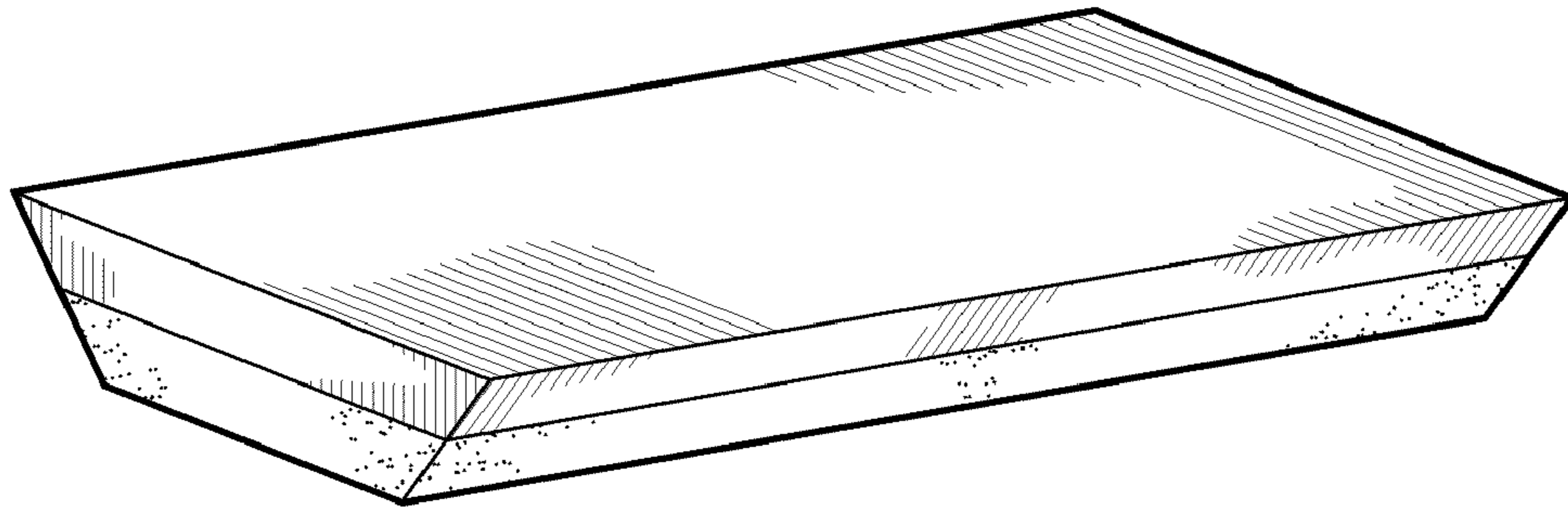


FIG. 1

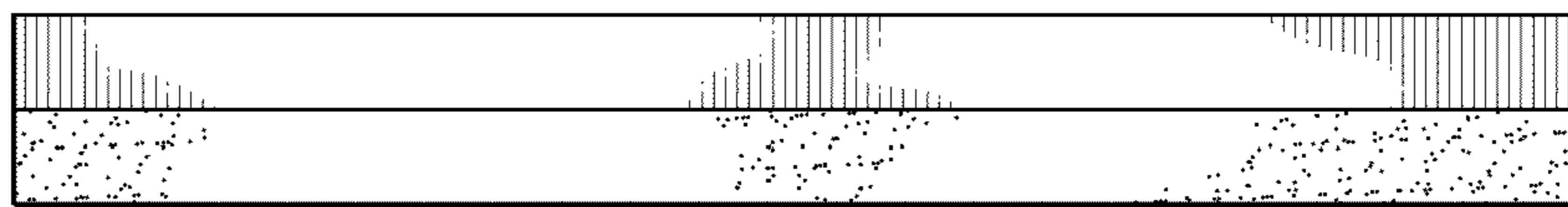


FIG. 2

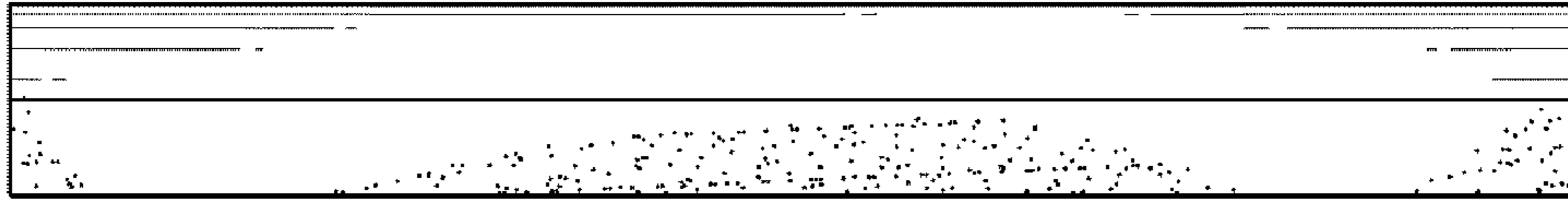


FIG. 3

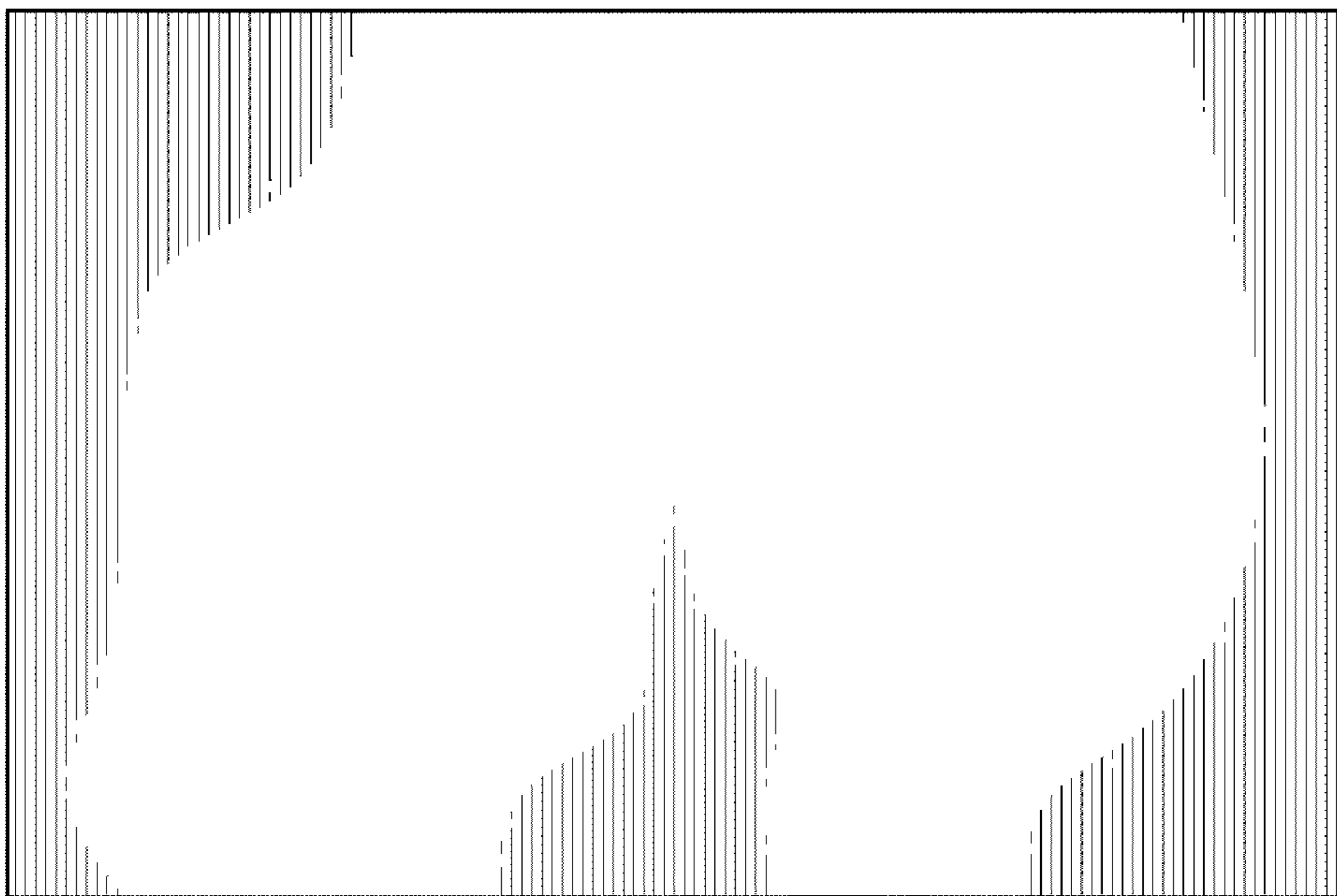


FIG. 4

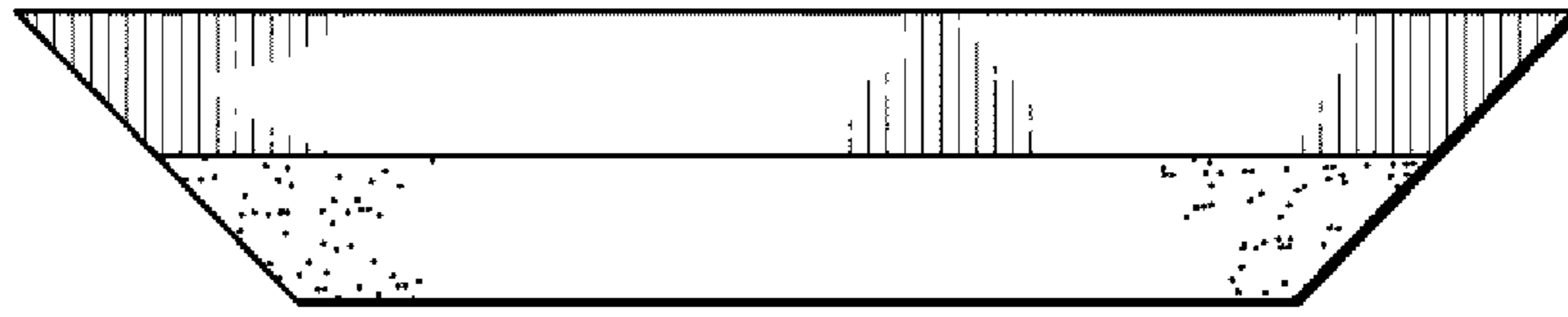


FIG. 5

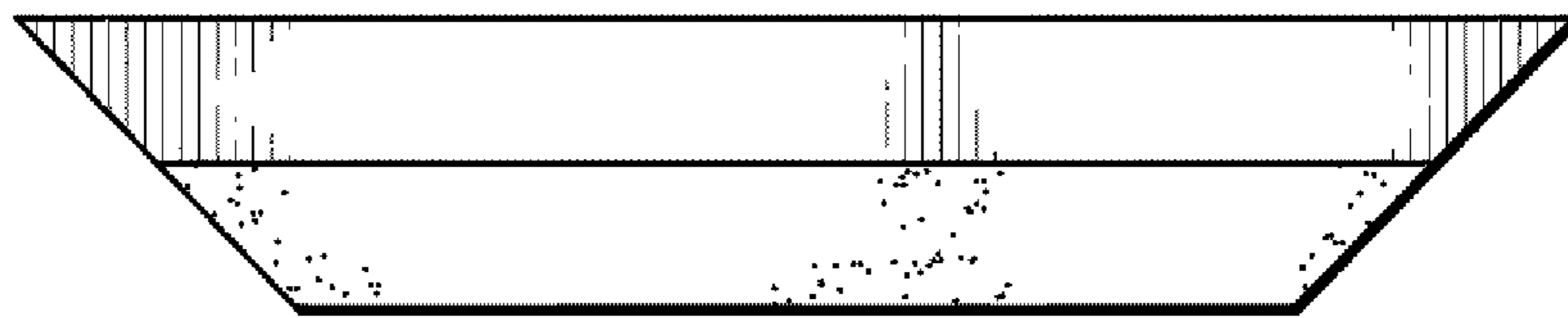


FIG. 6

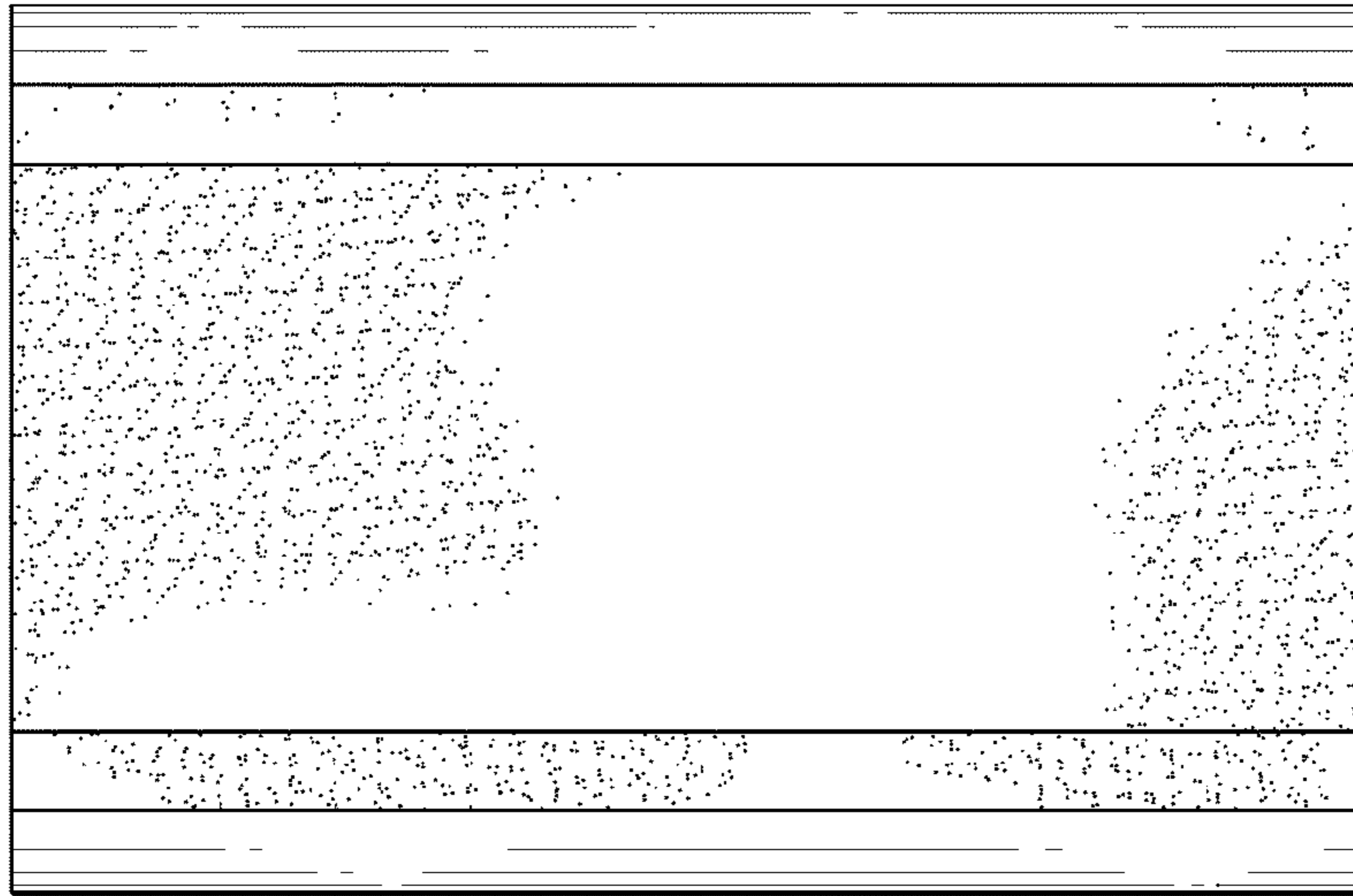


FIG. 7

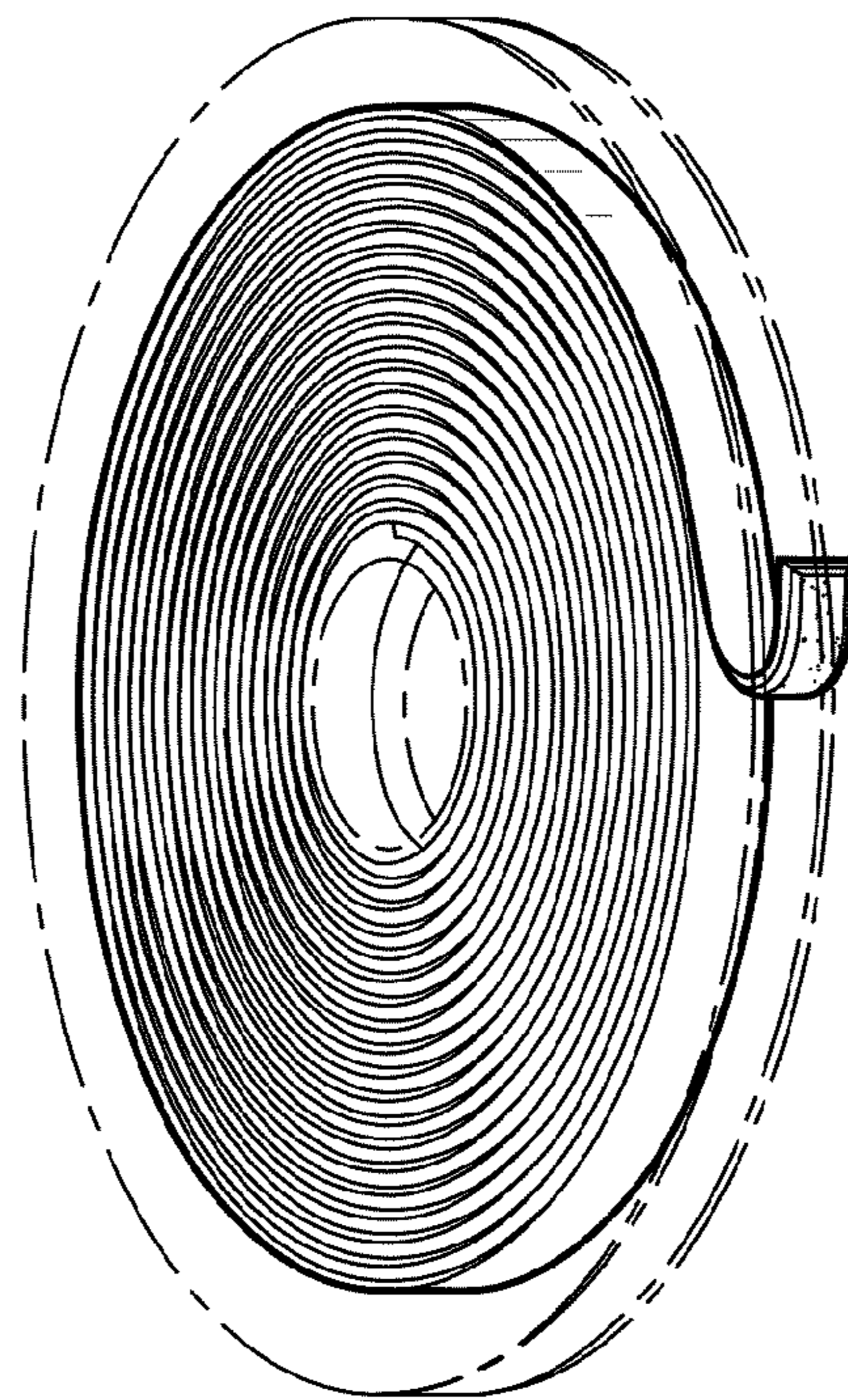


FIG. 8