



US00D655339S

(12) **United States Design Patent**  
**Laemle**

(10) **Patent No.:** **US D655,339 S**

(45) **Date of Patent:** **\*\* Mar. 6, 2012**

(54) **PEN**

(75) Inventor: **David A. Laemle**, Westwood, NJ (US)

(73) Assignee: **Davro Products Inc.**, Westwood, NJ (US)

(\*\*) Term: **14 Years**

(21) Appl. No.: **29/386,088**

(22) Filed: **Feb. 24, 2011**

(51) **LOC (9) Cl.** ..... **19-06**

(52) **U.S. Cl.** ..... **D19/47**

(58) **Field of Classification Search** ..... D19/35,  
D19/36, 41-51, 54-58; D14/411, 431; 24/11 R,  
24/11 F, 11 P; 401/52, 99, 100, 104-109,  
401/192, 195, 196

See application file for complete search history.

(56) **References Cited**

U.S. PATENT DOCUMENTS

2,007,245	A	*	7/1935	Gimonet	.....	132/218
D205,872	S	*	9/1966	Parker	.....	D19/48
D335,306	S	*	5/1993	Poisson et al.	.....	D19/48
D431,262	S	*	9/2000	Izushima	.....	D19/48
D450,088	S	*	11/2001	Banasik	.....	D19/51
D474,241	S	*	5/2003	Hasegawa	.....	D19/51
D510,104	S	*	9/2005	Qiu	.....	D19/47
D533,592	S	*	12/2006	Cheng et al.	.....	D19/50
D541,860	S	*	5/2007	Kung	.....	D19/50
D559,315	S	*	1/2008	Qiu et al.	.....	D19/50
D561,254	S	*	2/2008	Lin	.....	D19/48
D580,493	S	*	11/2008	Fei	.....	D19/49
D583,864	S	*	12/2008	Liu	.....	D19/48

D602,526	S	*	10/2009	Matsumura	.....	D19/47
D607,932	S	*	1/2010	Zhang	.....	D19/48
D624,965	S	*	10/2010	Li	.....	D19/48
D628,641	S	*	12/2010	Zhang	.....	D19/50
D641,407	S	*	7/2011	Li	.....	D19/50
D647,137	S	*	10/2011	Uchiyama	.....	D19/47
D648,789	S	*	11/2011	Shibata	.....	D19/48

OTHER PUBLICATIONS

Digital Photograph of a pen design by DAVRO Products inc. www.Davroproducts.com. 1 photo, prior art.

\* cited by examiner

*Primary Examiner* — Elizabeth Albert

(74) *Attorney, Agent, or Firm* — St. Onge Steward Johnston & Reens LLC

(57) **CLAIM**

The ornamental design for a pen, as shown and described.

**DESCRIPTION**

FIG. 1 is a left side perspective view of a pen in accordance with the new design;

FIG. 2 is a rear view thereof;

FIG. 3 is a front view thereof;

FIG. 4 right side view thereof, the left side view being a mirror image thereof;

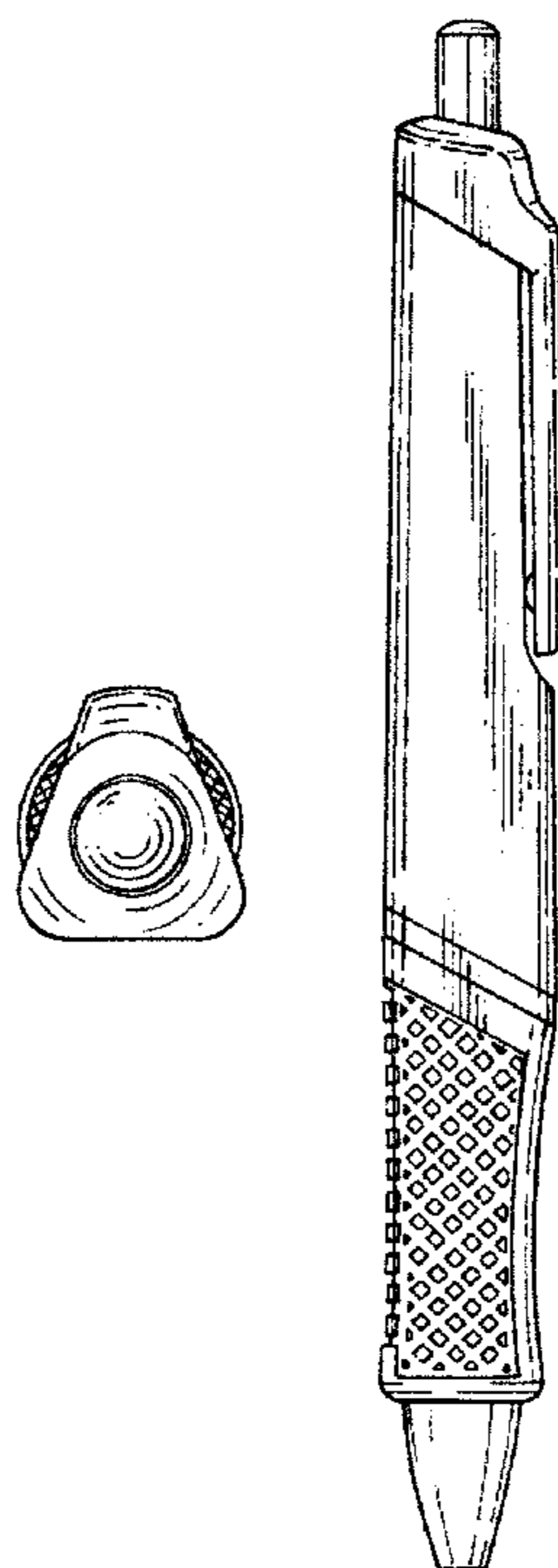
FIG. 5 is a top view thereof;

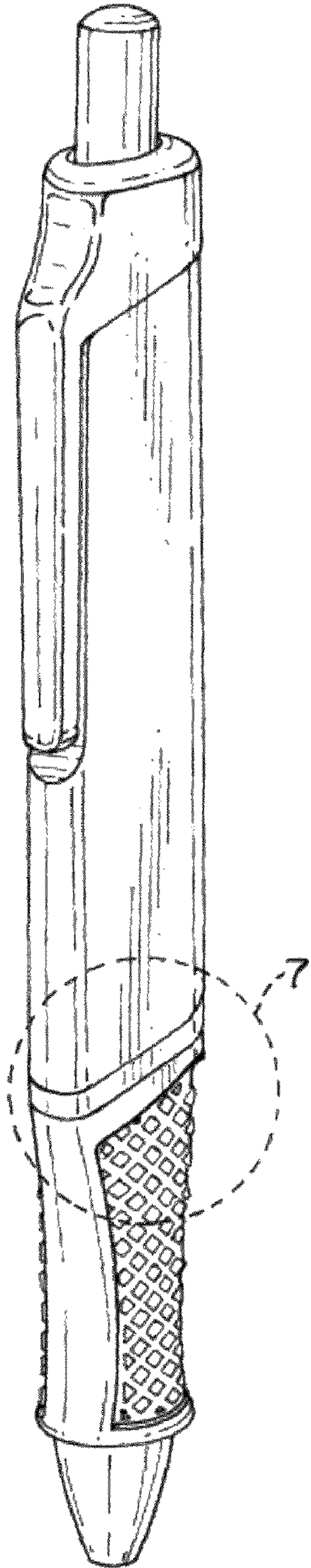
FIG. 6 is a bottom view thereof; and,

FIG. 7 is an enlarged perspective view of the area labeled "7" in FIG. 1.

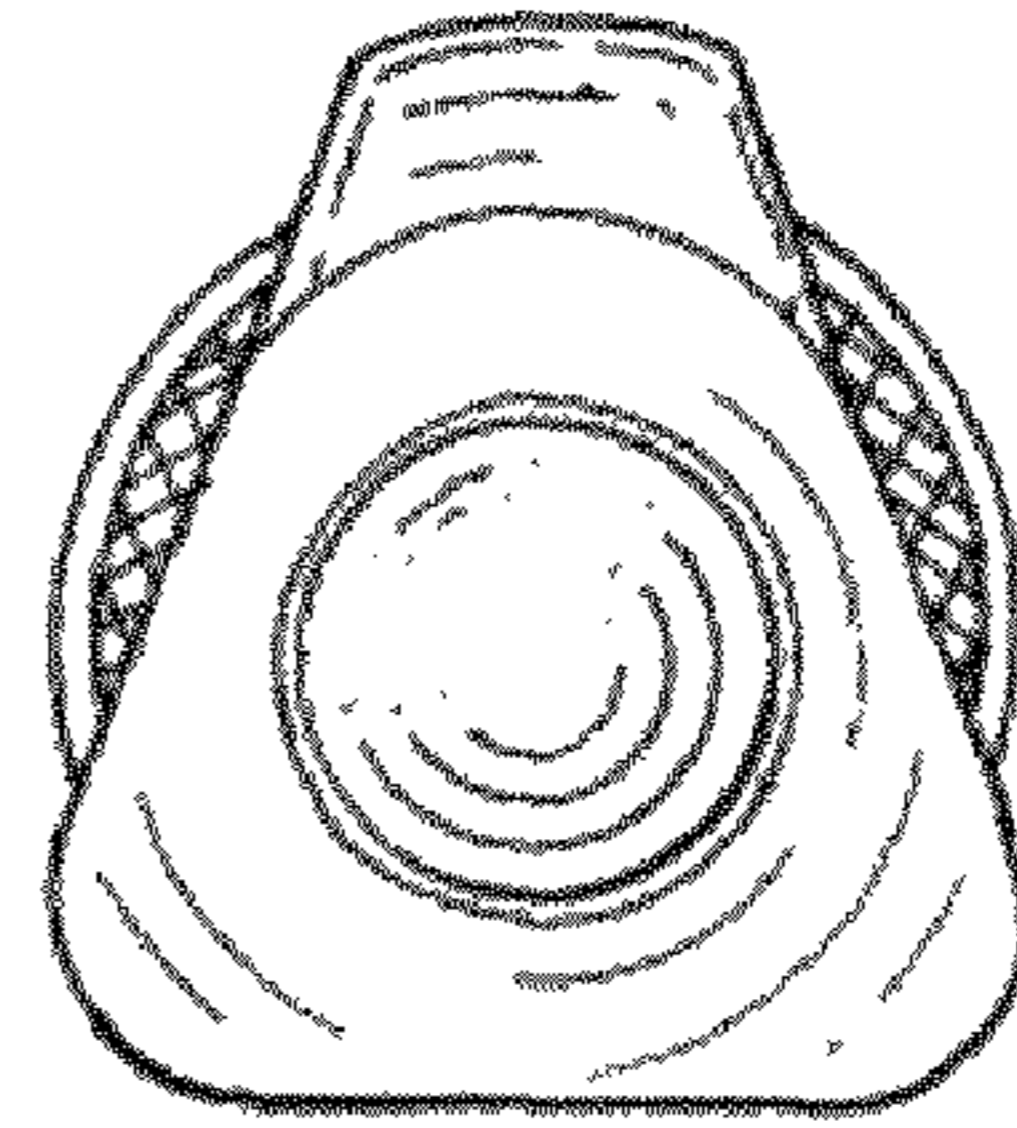
The broken lines in FIGS. 1 and 7 are included for the purpose of identifying the detail view shown in FIG. 7 and form no part of the claimed design.

**1 Claim, 3 Drawing Sheets**

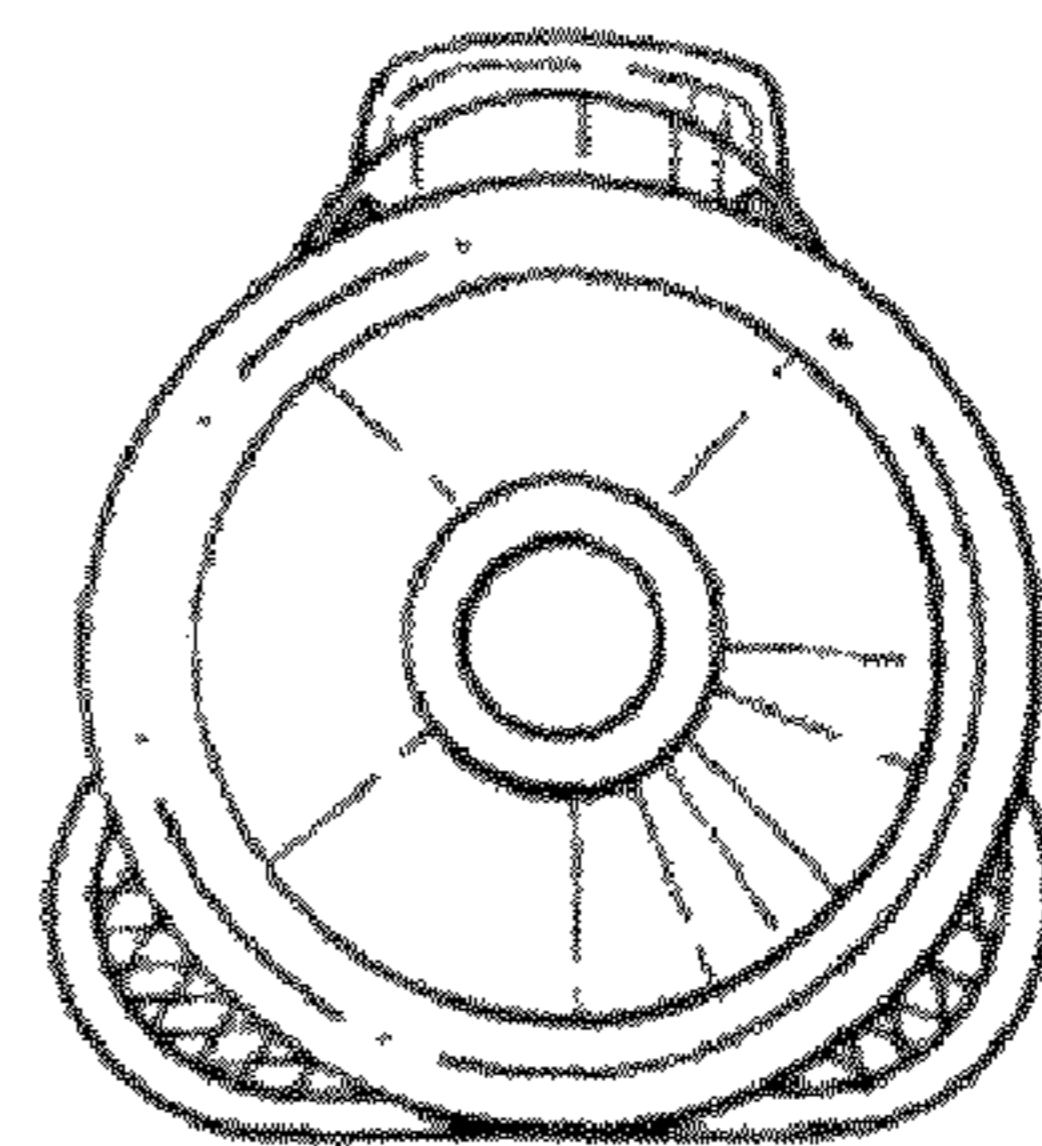




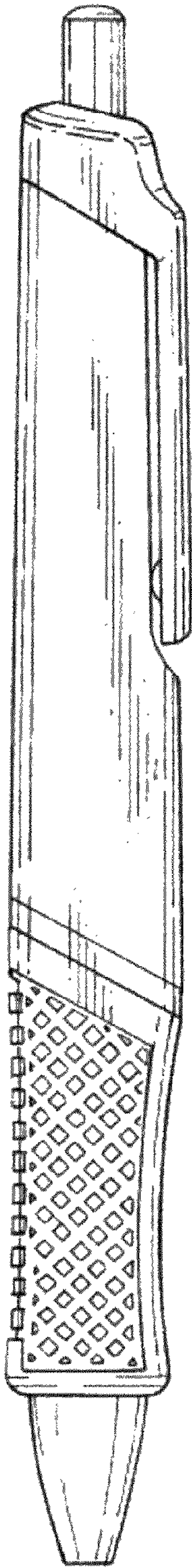
*FIG. 1*



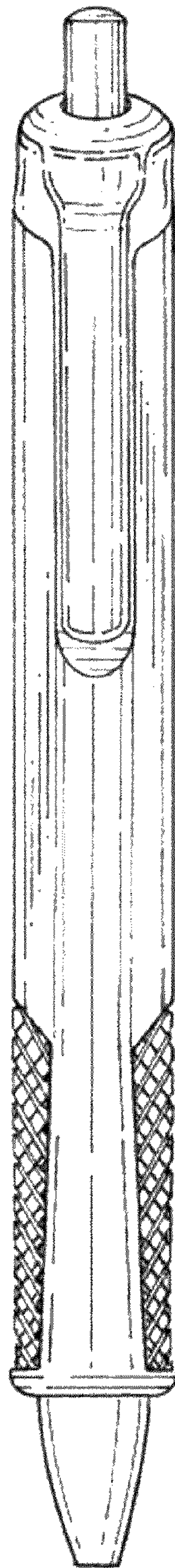
*FIG. 2*



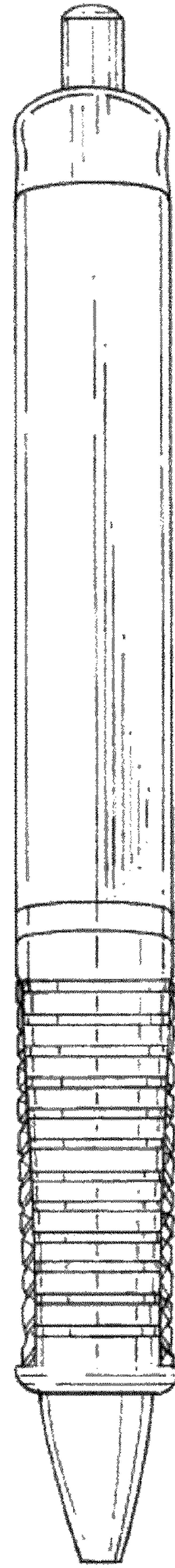
*FIG. 3*



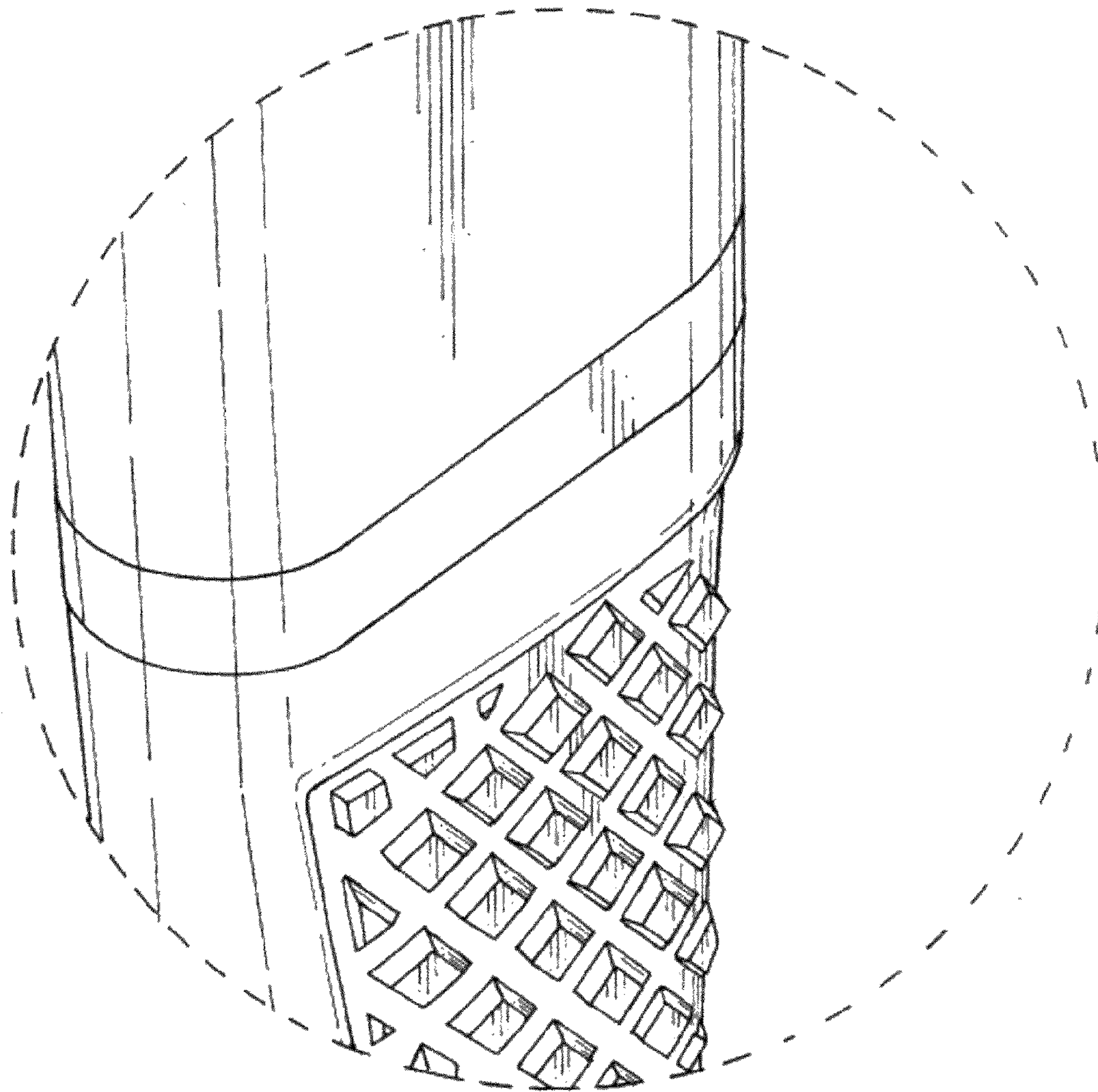
*FIG. 4*



*FIG. 5*



*FIG. 6*



*FIG. 7*