



US00D655333S

(12) **United States Design Patent**
Hillen

(10) **Patent No.:** **US D655,333 S**
(45) **Date of Patent:** **** Mar. 6, 2012**

(54) **INK CONTAINER**

(75) Inventor: **Keith Hillen**, Reno, NV (US)

(73) Assignee: **Keith Hillen**, Sparks, NV (US)

(**) Term: **14 Years**

(21) Appl. No.: **29/316,741**

(22) Filed: **Oct. 28, 2009**

(51) **LOC (9) Cl.** **18-02**

(52) **U.S. Cl.** **D18/56**

(58) **Field of Classification Search** D18/40,
D18/43, 56; 347/86, 87

See application file for complete search history.

(56) **References Cited**

U.S. PATENT DOCUMENTS

D368,275 S *	3/1996	Sakurai et al.	D18/56
D392,995 S *	3/1998	Sasaki	D18/56
D443,639 S *	6/2001	Chou et al.	D18/56
D455,780 S *	4/2002	Seino et al.	D18/56
D472,918 S *	4/2003	Ueno et al.	D18/56
D477,841 S *	7/2003	Shimizu et al.	D18/56
D482,061 S *	11/2003	Shinada et al.	D18/56
D517,597 S *	3/2006	Andoh	D18/56

D575,331 S *	8/2008	Yuen	D18/56
D590,014 S *	4/2009	Nip	D18/56
D611,531 S *	3/2010	Hatasa et al.	D18/56
2002/0171720 A1 *	11/2002	Hanaoka et al.	347/86
2004/0001128 A1 *	1/2004	Hung	347/86

* cited by examiner

Primary Examiner — David Muller

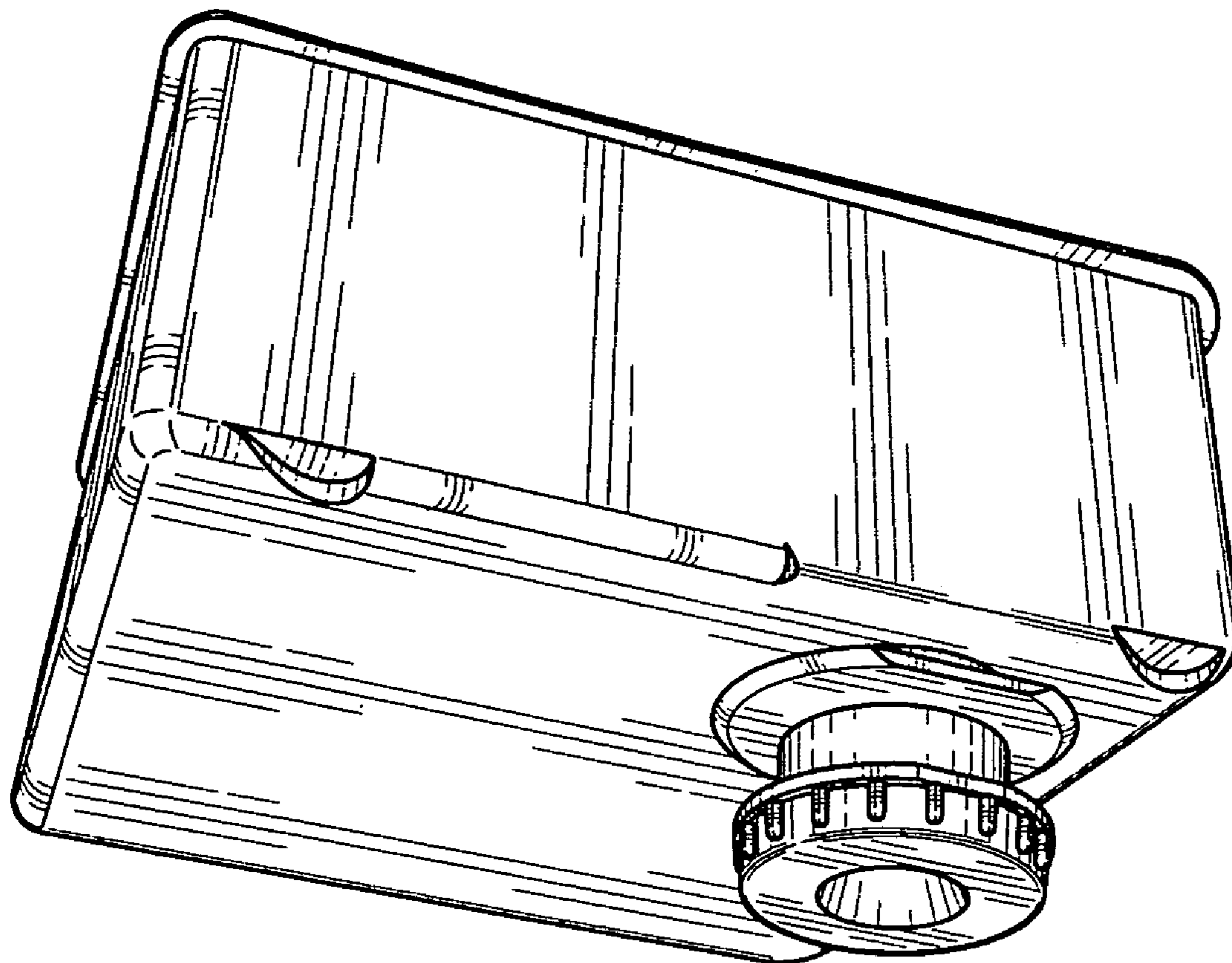
(57) **CLAIM**

The ornamental design for an ink container, as shown and described.

DESCRIPTION

FIG. 1 is a perspective view of the front, bottom and right side of an ink container showing my new design; FIG. 2 is a bottom plan view thereof; FIG. 3 is a top plan view thereof; FIG. 4 is a left side plan view thereof; FIG. 5 is a right side plan view thereof; FIG. 6 is a rear elevational view thereof; and, FIG. 7 is a front elevational view thereof. The broken line showing of parts of the drawings is included for the purpose of illustrating use and environment and forms no part of the claimed design.

1 Claim, 4 Drawing Sheets



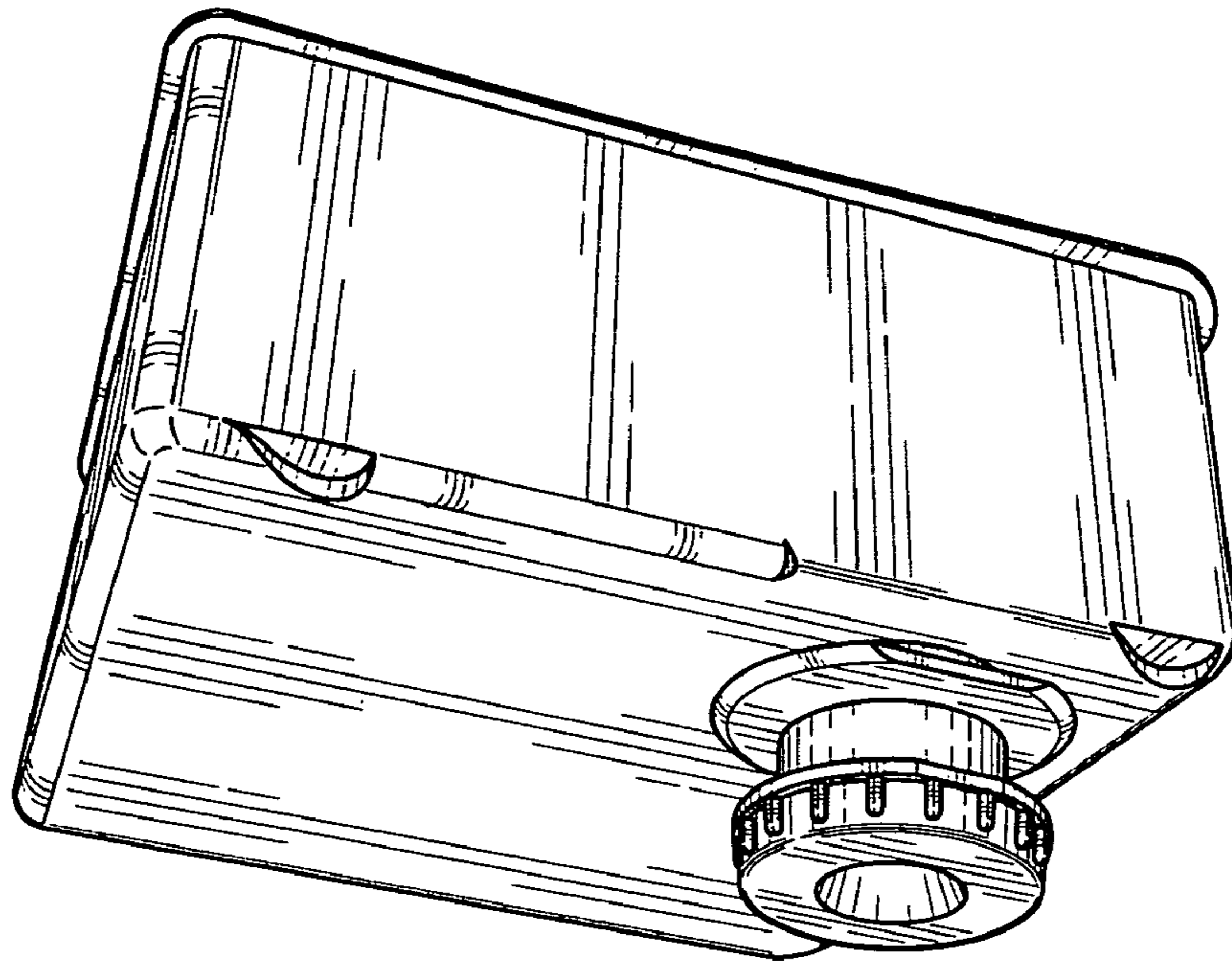


FIG. 1

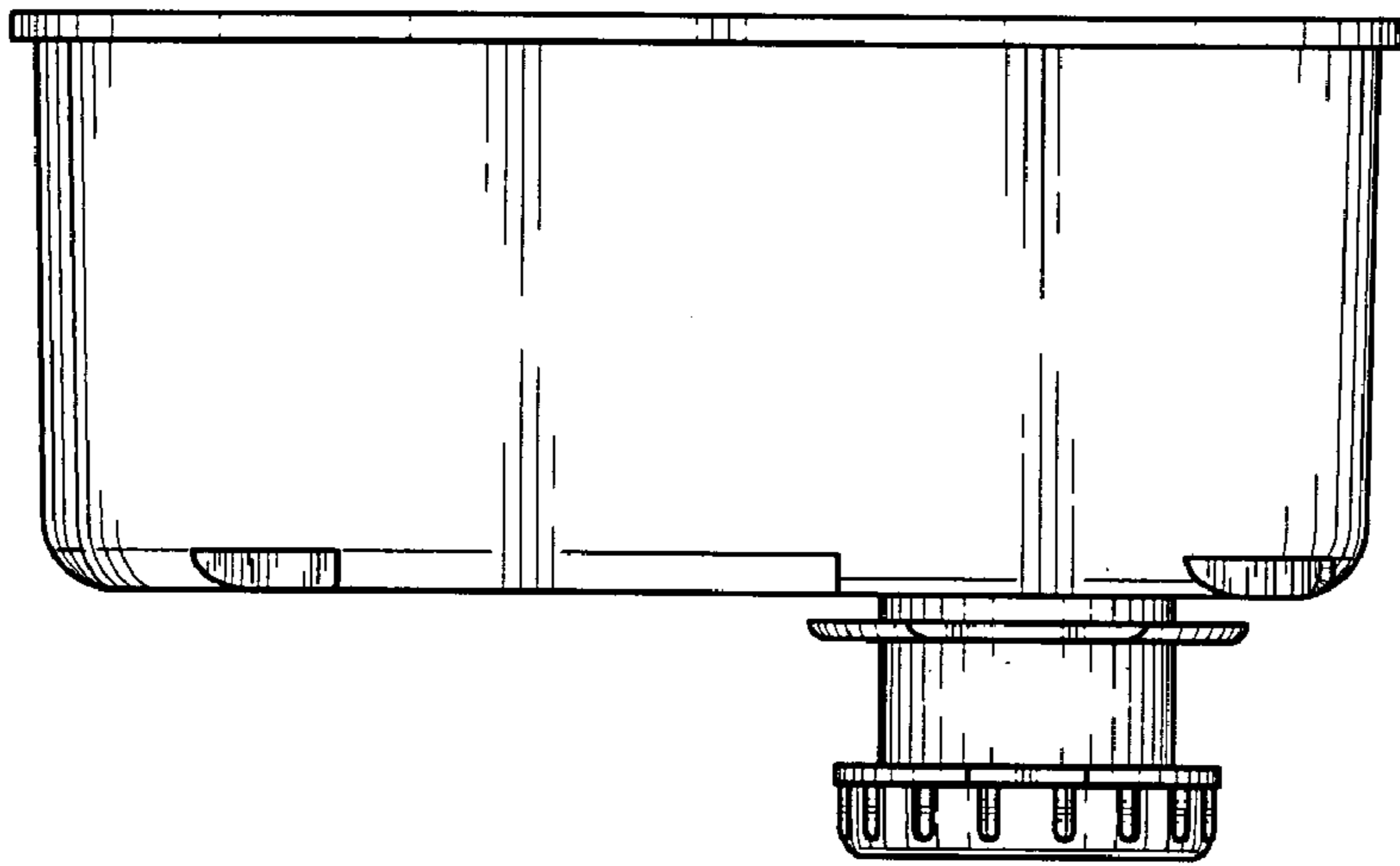


FIG. 2

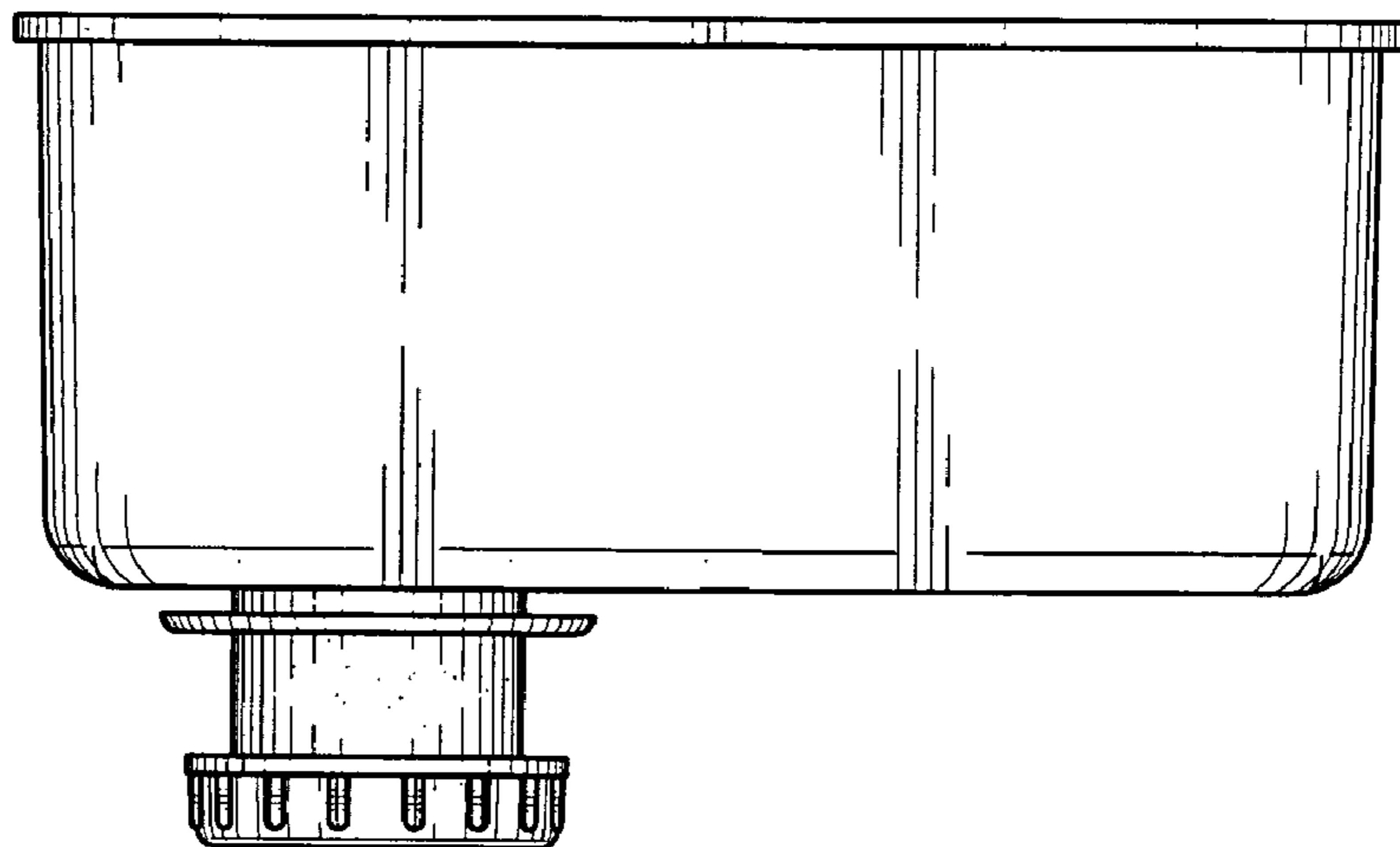


FIG. 3

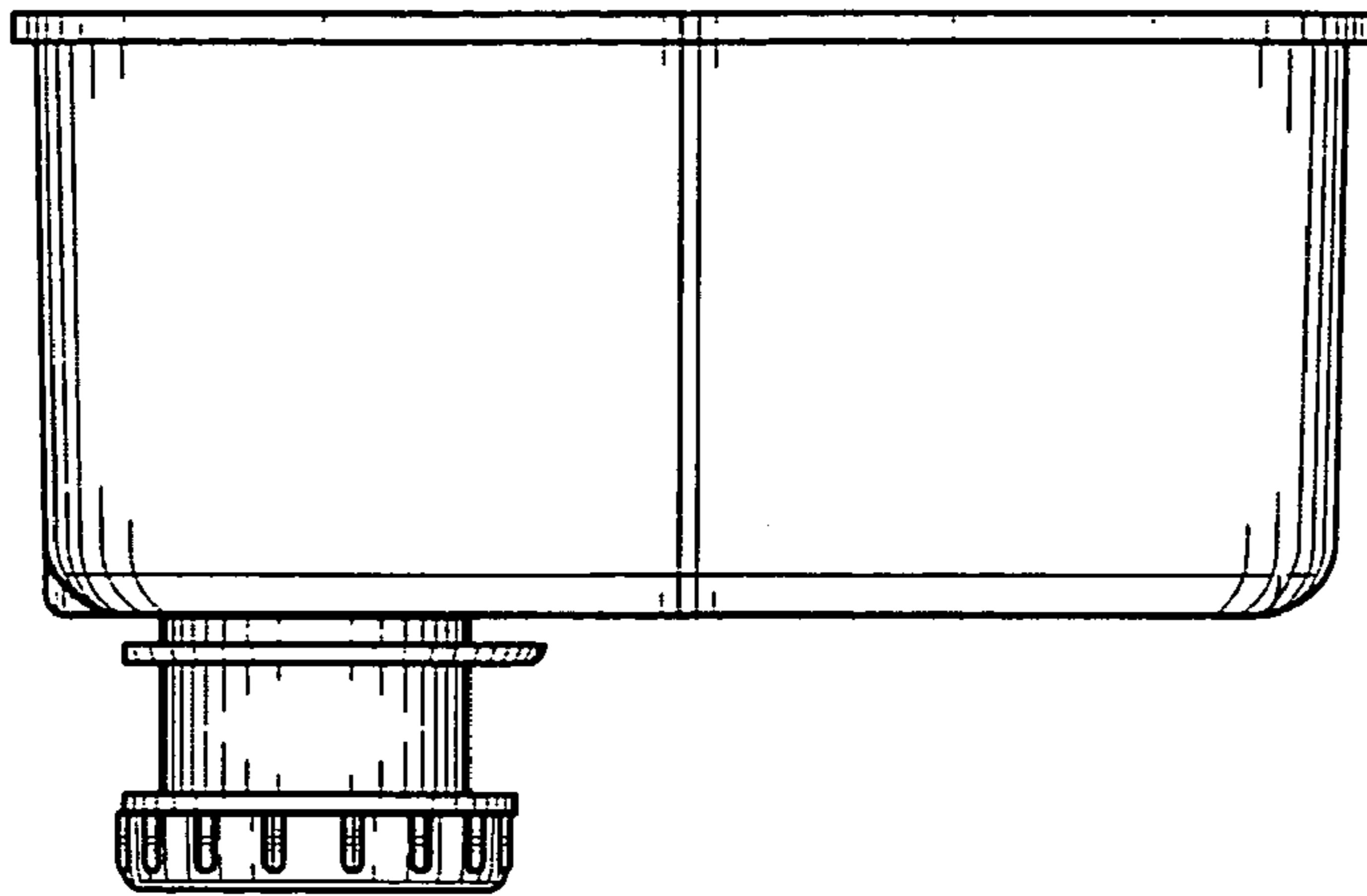


FIG. 4

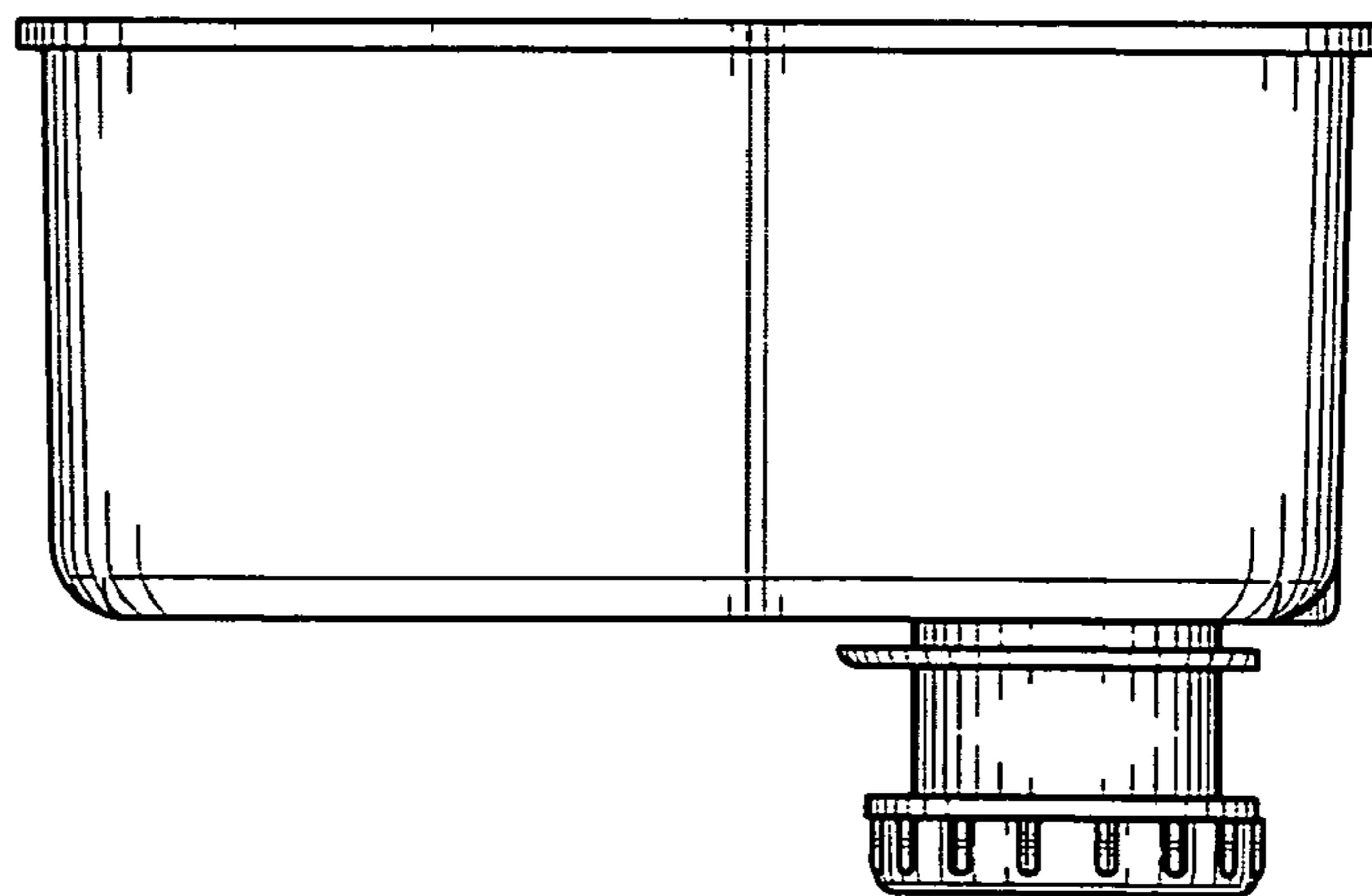


FIG. 5

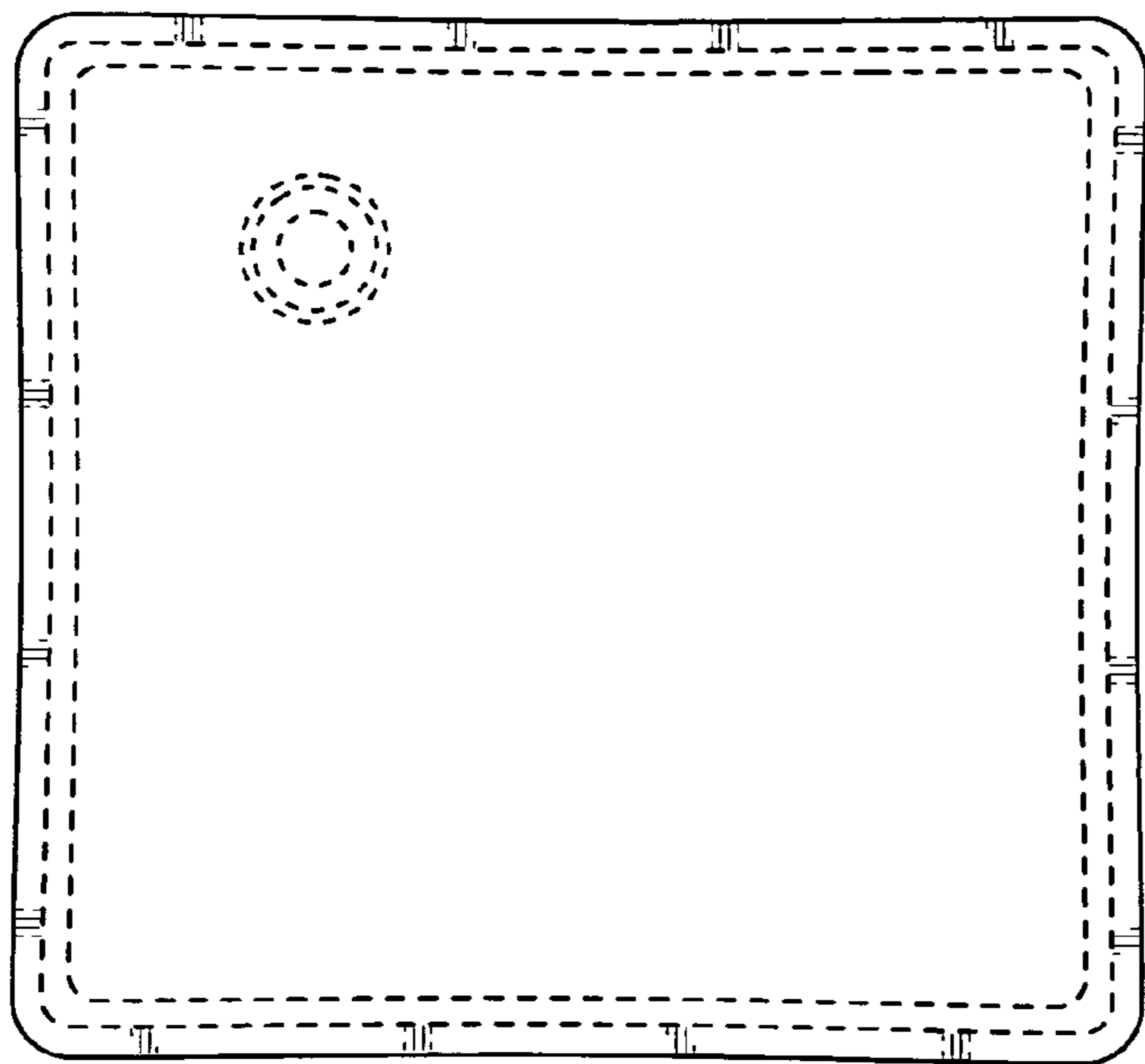


FIG. 6

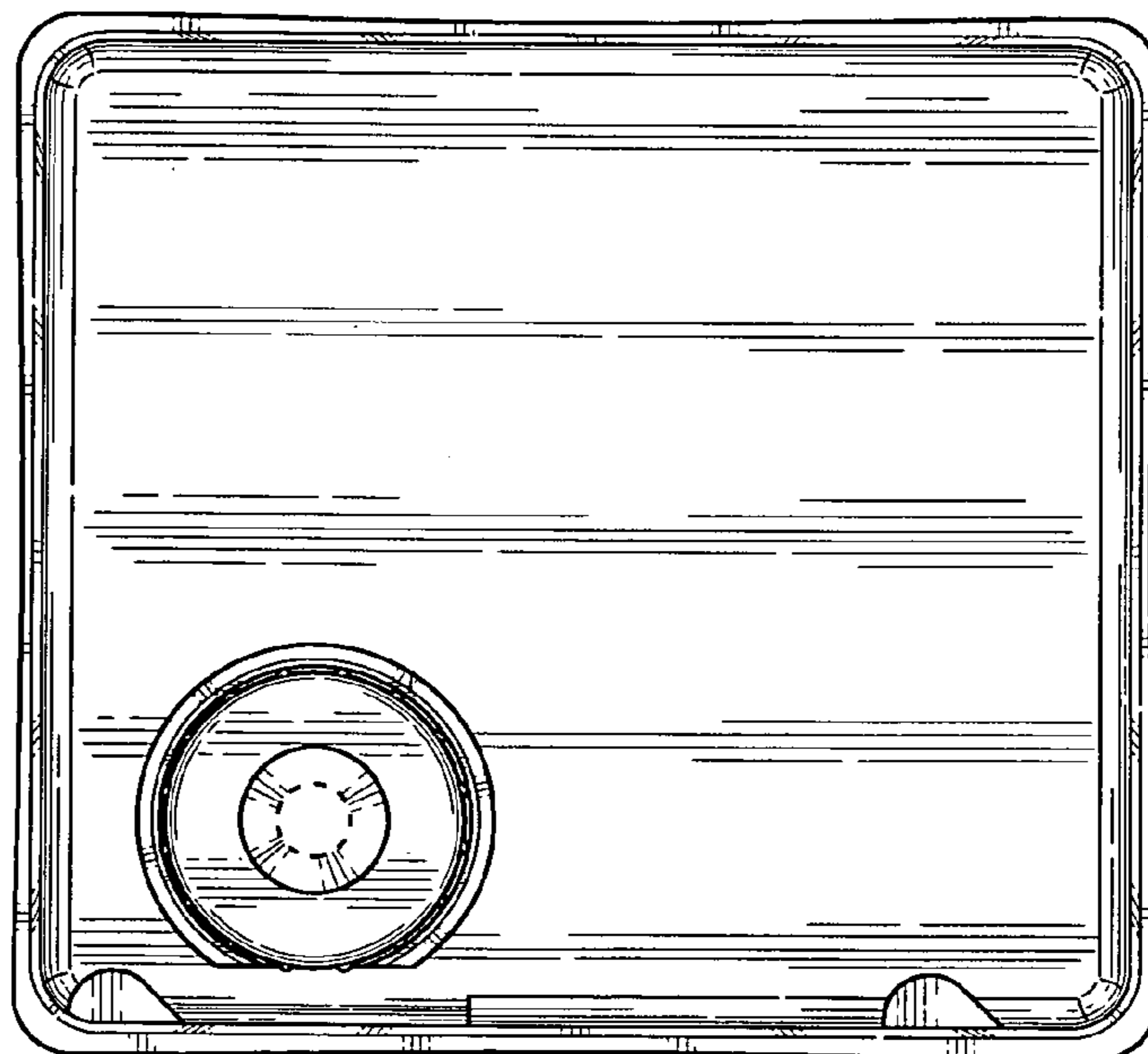


FIG. 7