



US00D655332S

(12) **United States Design Patent**  
**Fujii**

(10) **Patent No.:** **US D655,332 S**  
(45) **Date of Patent:** **\*\* Mar. 6, 2012**

(54) **TONER CARTRIDGE**

(75) Inventor: **Hirokazu Fujii**, Osaka (JP)

(73) Assignee: **Kyocera Mita Corporation**, Osaka (JP)

(\*\*) Term: **14 Years**

(21) Appl. No.: **29/375,758**

(22) Filed: **Sep. 27, 2010**

(30) **Foreign Application Priority Data**

Mar. 31, 2010 (JP) ..... 2010-008044  
Mar. 31, 2010 (JP) ..... 2010-008045

(51) **LOC (9) Cl.** ..... **16-03**

(52) **U.S. Cl.** ..... **D18/43**

(58) **Field of Classification Search** ..... D14/471;  
D18/12, 36, 40, 43, 44, 56; 222/DIG. 1;  
347/197, 222; 399/24-28, 107-112, 119,  
399/121, 122, 222-224

See application file for complete search history.

(56) **References Cited**

**U.S. PATENT DOCUMENTS**

D365,846 S \* 1/1996 Nishimura ..... D18/43  
D366,275 S \* 1/1996 Komaki ..... D18/43  
D525,289 S \* 7/2006 Murata ..... D18/43  
D559,894 S \* 1/2008 Sato ..... D18/43  
D559,895 S \* 1/2008 Sato ..... D18/43  
D559,896 S \* 1/2008 Sato ..... D18/43  
D585,484 S \* 1/2009 Tanaka ..... D18/43  
D604,358 S \* 11/2009 Kinoshita et al. .... D18/43

**FOREIGN PATENT DOCUMENTS**

EP 000541503-0001 8/2006  
JP 1257112 12/2005

**OTHER PUBLICATIONS**

Taiwan Official Action—099304940—Apr. 20, 2011.  
Taiwan Official Action—099304941—Apr. 20, 2011.  
Official Action dated Oct. 28, 2010 in Japanese Design Application  
No. 2010-008044 filed Mar. 31, 2010.  
Official Action dated Oct. 28, 2010 in Japanese Design Application  
No. 2010-008045 filed Mar. 31, 2010.

\* cited by examiner

*Primary Examiner* — Garth Rademaker

(74) *Attorney, Agent, or Firm* — Young & Thompson

(57) **CLAIM**

The ornamental design for a toner cartridge, as shown and described.

**DESCRIPTION**

FIG. 1 is a front, top, right side perspective view of a toner cartridge showing my new design;  
FIG. 2 is a rear, bottom, left side perspective view thereof;  
FIG. 3 is a front elevation view thereof;  
FIG. 4 is a rear elevation view thereof;  
FIG. 5 is a top plan view thereof;  
FIG. 6 is a bottom plan view thereof;  
FIG. 7 is a right side elevation view thereof; and,  
FIG. 8 is a left side elevation view thereof.  
The portions of the design shown in broken lines show environmental subject matter only and form no part of the claimed design.

**1 Claim, 5 Drawing Sheets**

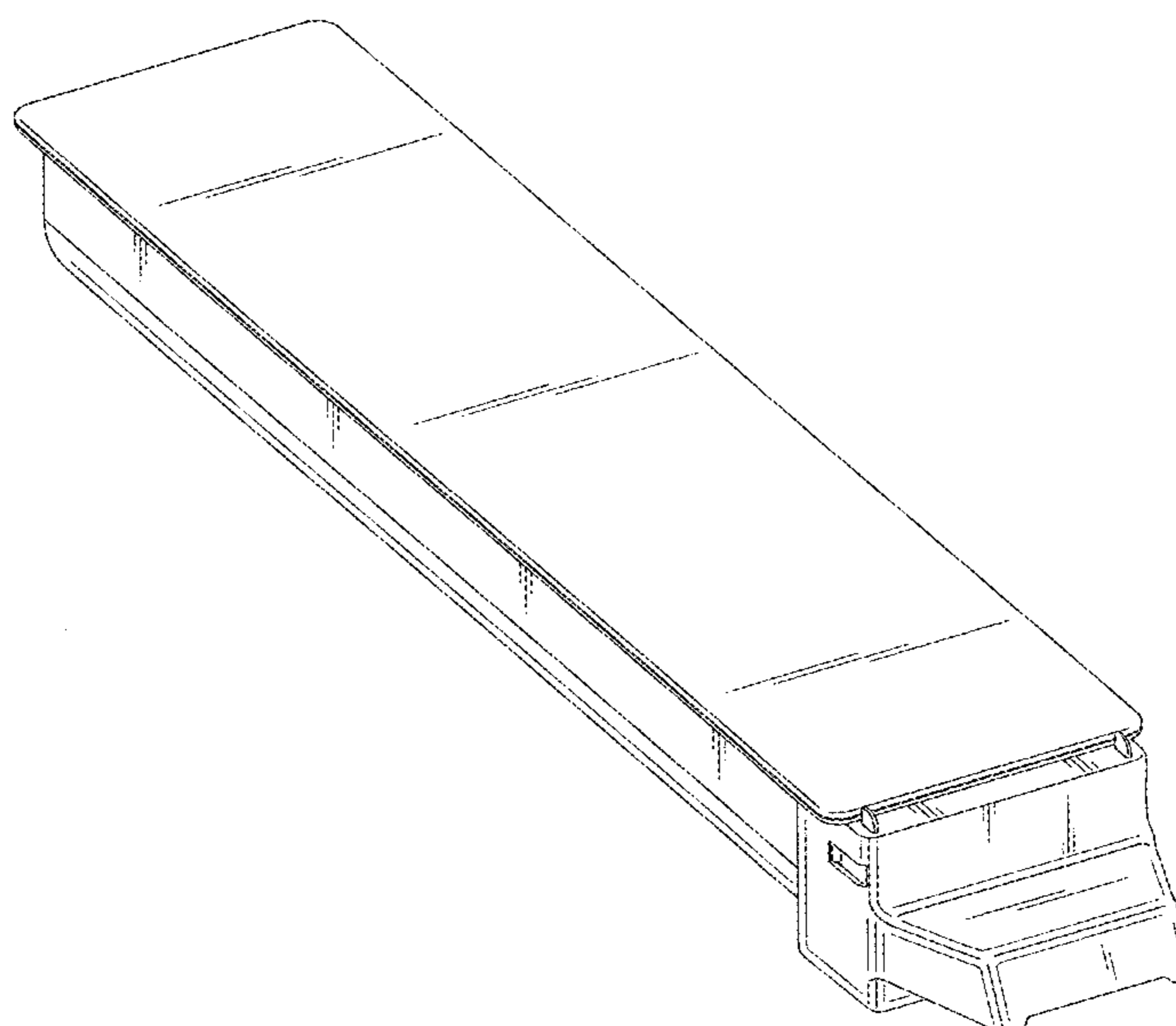
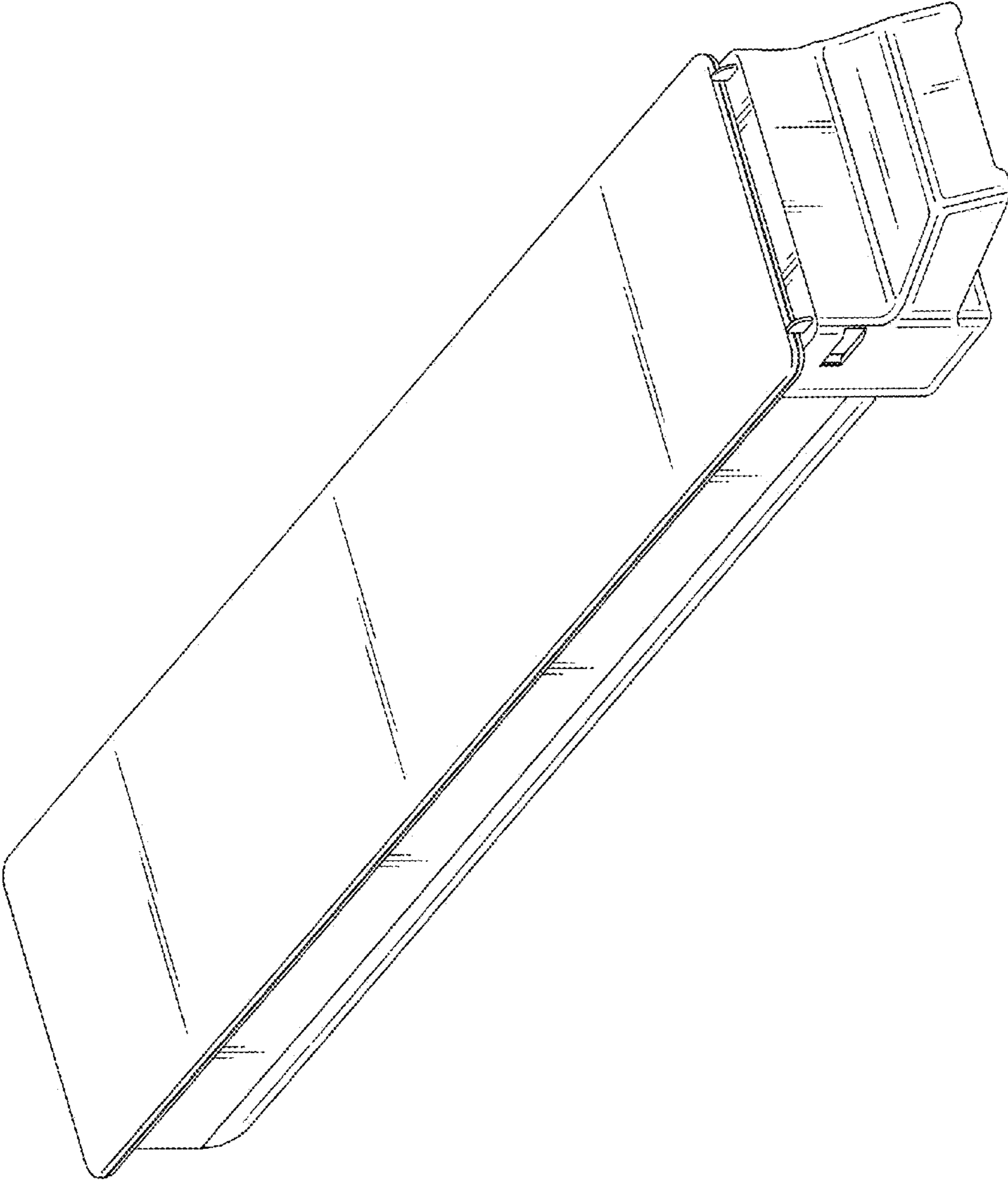


FIG. 1



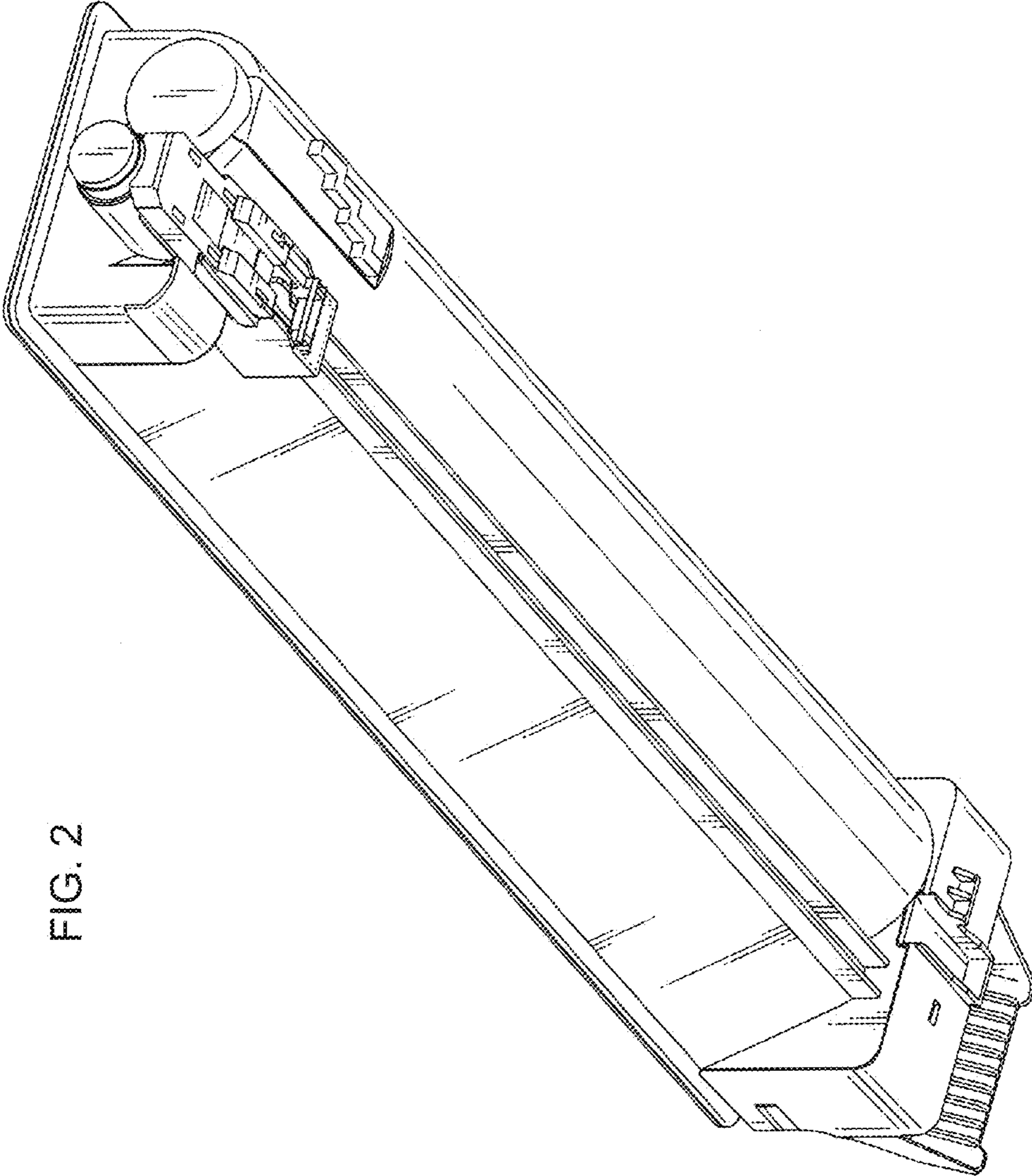


FIG. 2

FIG. 3

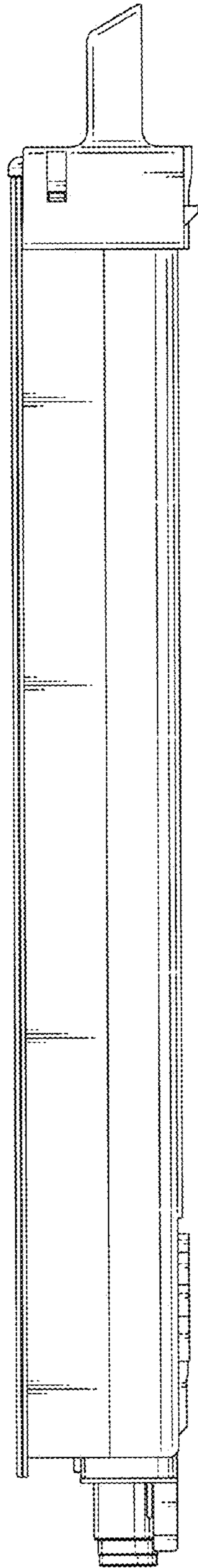


FIG. 4

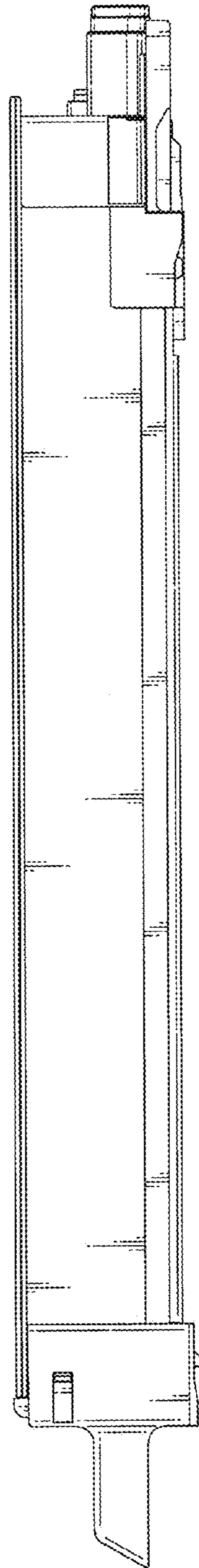


FIG. 5

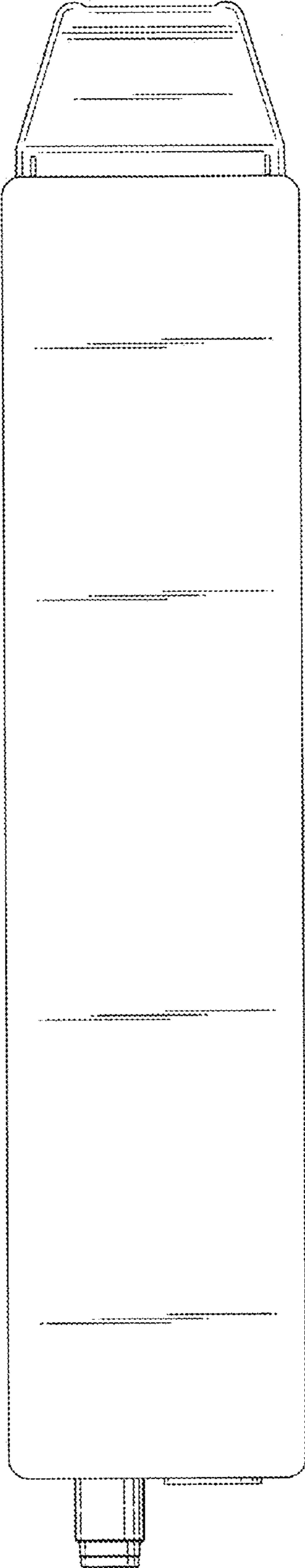


FIG. 6

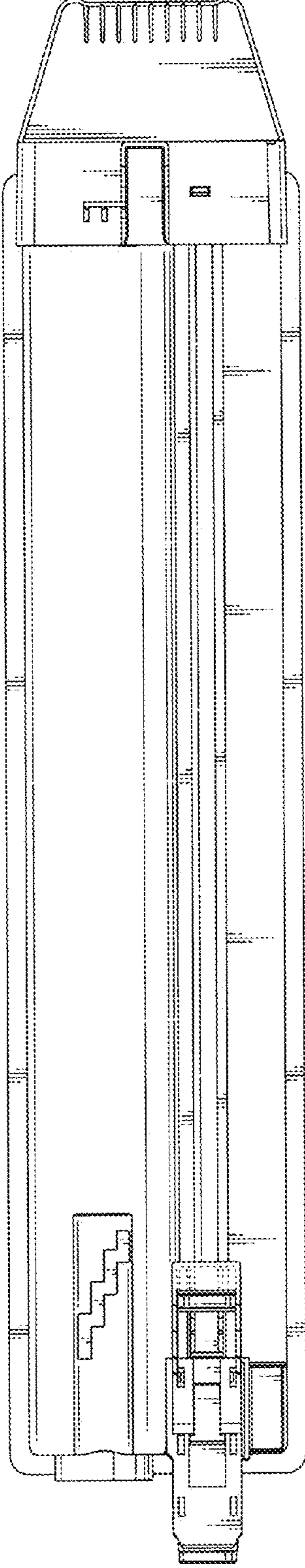


FIG. 7

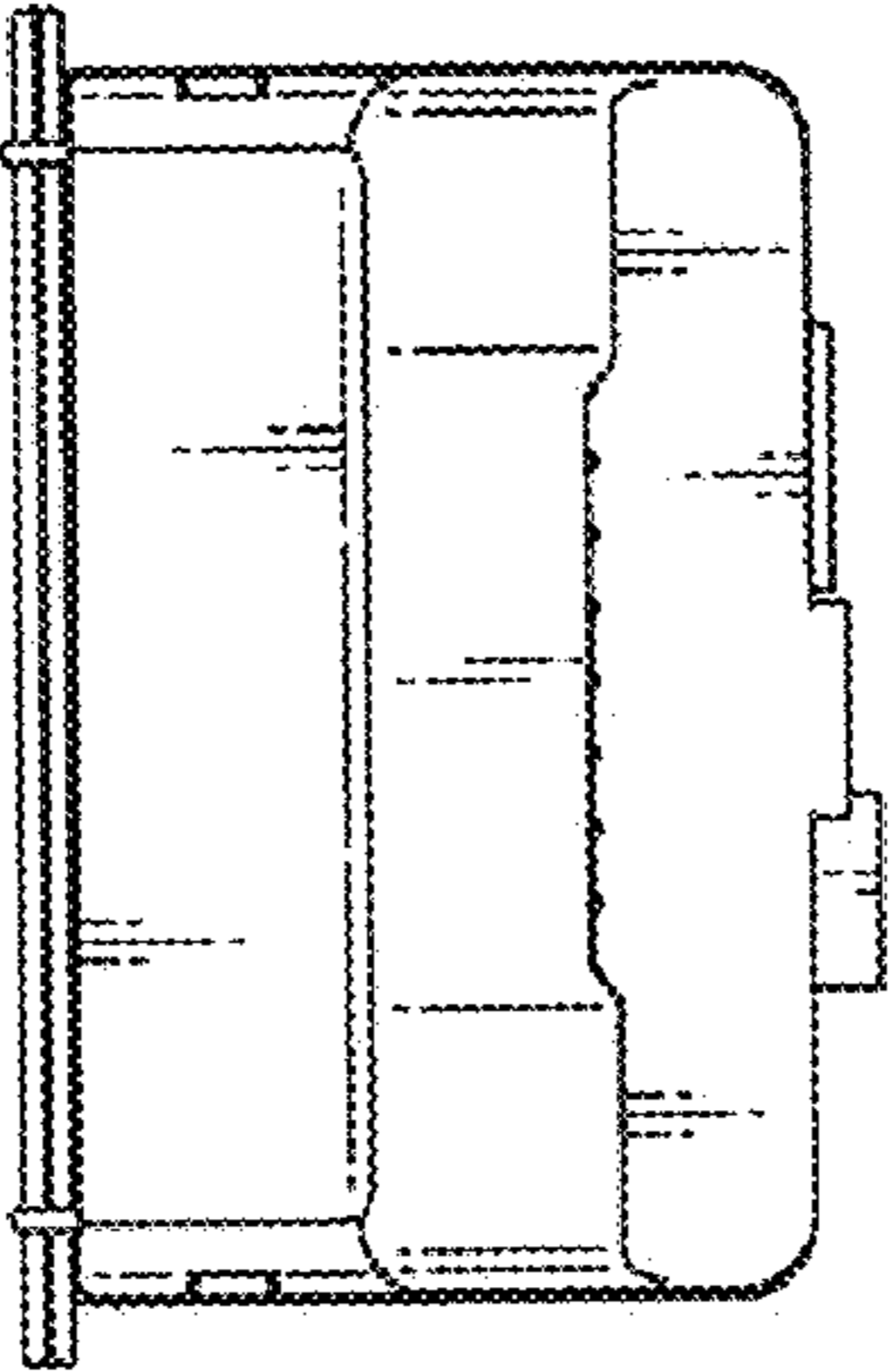


FIG. 8

