



US00D655331S

(12) **United States Design Patent**  
**Larson et al.**

(10) **Patent No.:** **US D655,331 S**  
(45) **Date of Patent:** **\*\* Mar. 6, 2012**

(54) **MULTI-FUNCTION IMAGING AND  
PRINTING DEVICE ACCESSORY**

(75) Inventors: **David B. Larson**, Eagle, ID (US);  
**Da-Wei Huang**, Shanghai (CN); **Kevin  
L. Falk**, Boise, ID (US)

(73) Assignee: **Hewlett-Packard Development  
Company, L.P.**, Houston, TX (US)

(\*\*) Term: **14 Years**

(21) Appl. No.: **29/376,872**

(22) Filed: **Oct. 13, 2010**

(51) **LOC (9) Cl.** ..... **16-03**

(52) **U.S. Cl.** ..... **D18/40**

(58) **Field of Classification Search** ..... D18/36-41,  
D18/44-56; 222/DIG. 1; 271/3.14, 8.1,  
271/226, 278; 355/97, 99; 358/1.1; 399/1-7,  
399/16, 75, 81, 107, 130, 151, 361, 365,  
399/367, 381-383, 388

See application file for complete search history.

(56) **References Cited**

U.S. PATENT DOCUMENTS

D294,598 S *	3/1988	Ohmori .....	D18/46
D438,893 S *	3/2001	Saito et al. ....	D18/44
D494,213 S *	8/2004	Wong .....	D18/56
D524,847 S *	7/2006	McIntosh et al. ....	D18/40
D539,336 S *	3/2007	Goh et al. ....	D18/46
D603,894 S *	11/2009	Yamano et al. ....	D18/55

\* cited by examiner

*Primary Examiner* — Garth Rademaker

(57) **CLAIM**

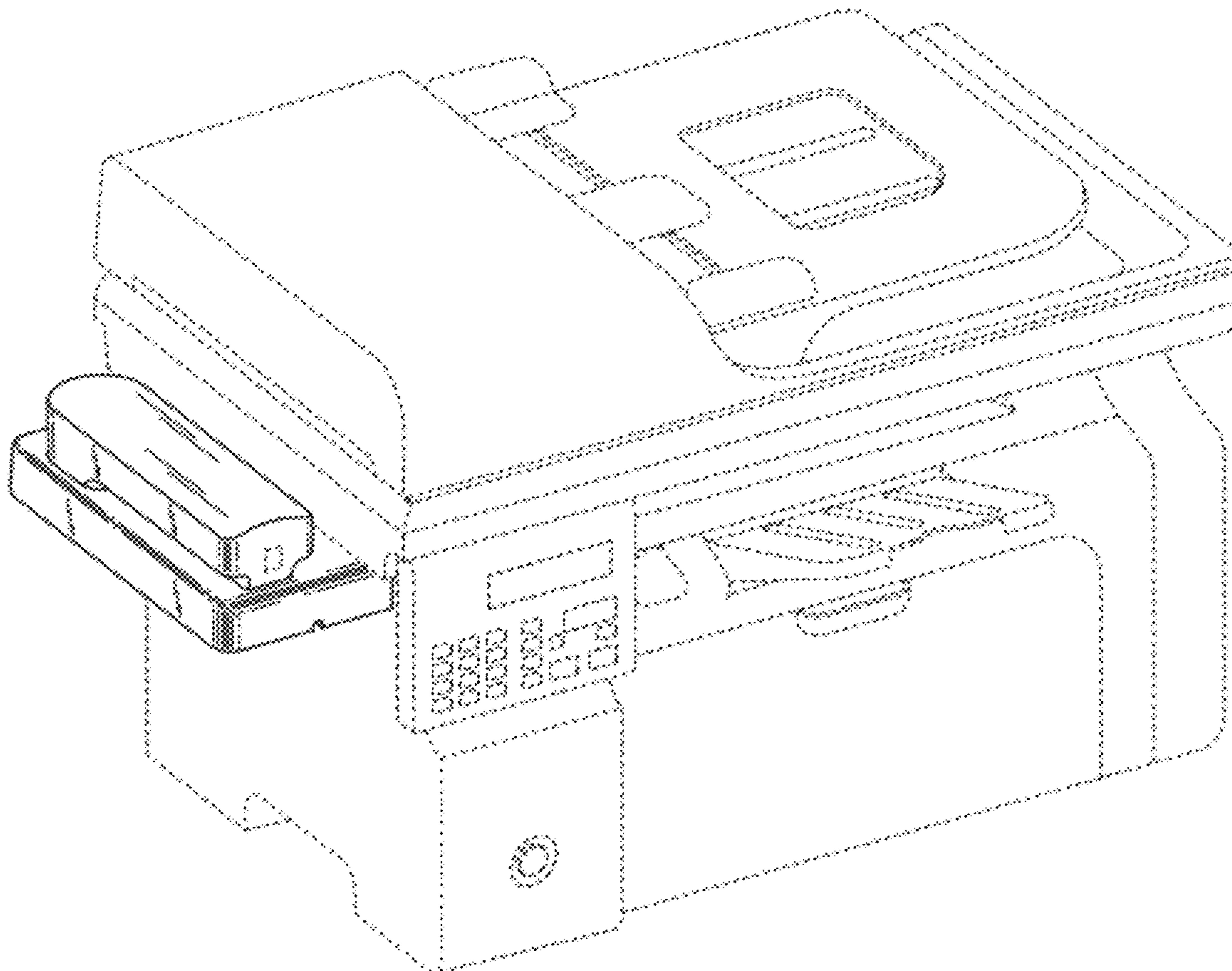
The ornamental design for a multi-function imaging and printing device accessory, as shown and described.

**DESCRIPTION**

FIG. 1 is a left-front perspective view of the design for the multi-function imaging and printing device accessory; FIG. 2 is a front view thereof; FIG. 3 is a rear view thereof; FIG. 4 is a top view thereof; FIG. 5 is a bottom view thereof; and, FIG. 6 is a left side view thereof.

The broken lines depict environmental subject matter only and form no part of the claimed design.

**1 Claim, 6 Drawing Sheets**



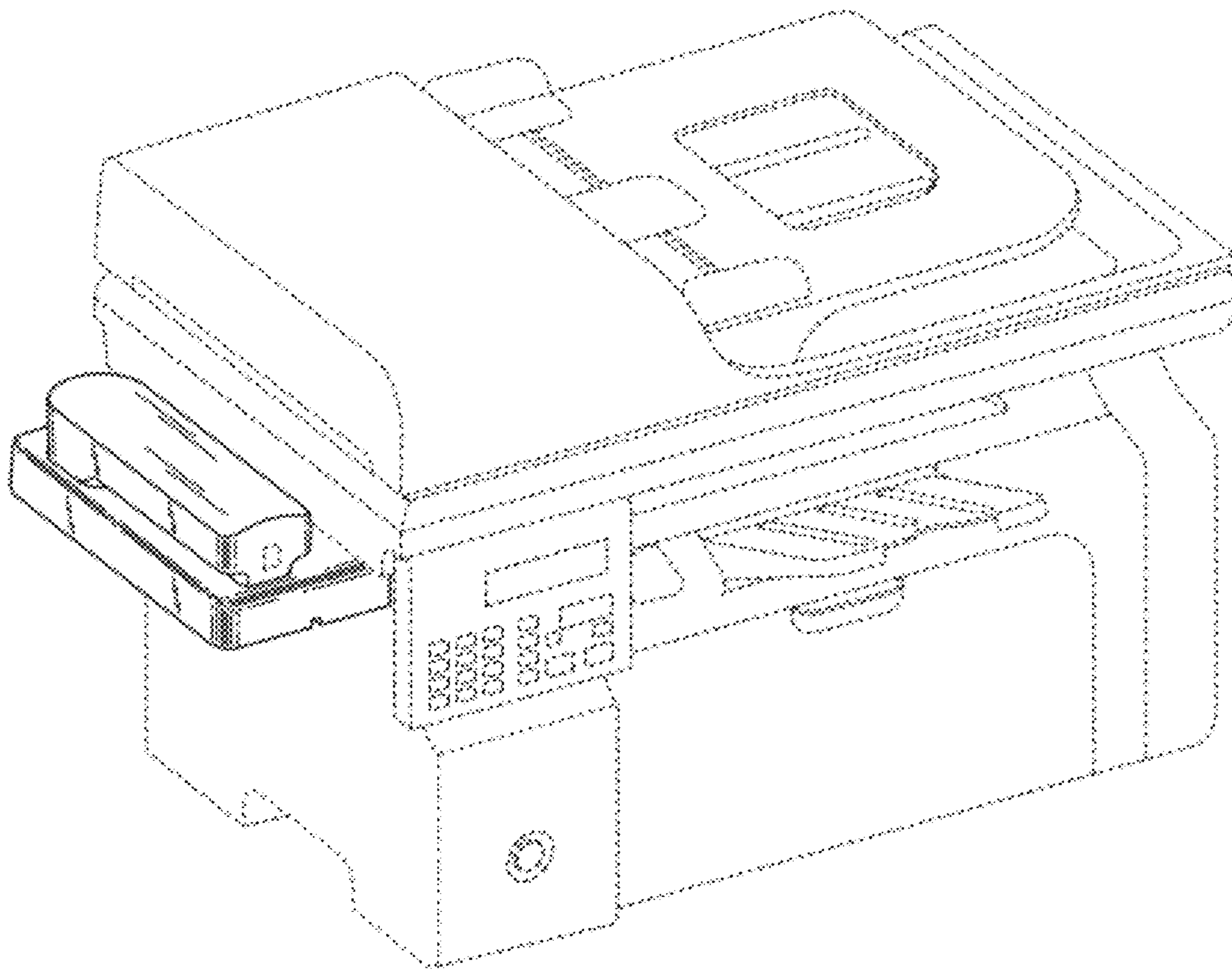


Fig. 1

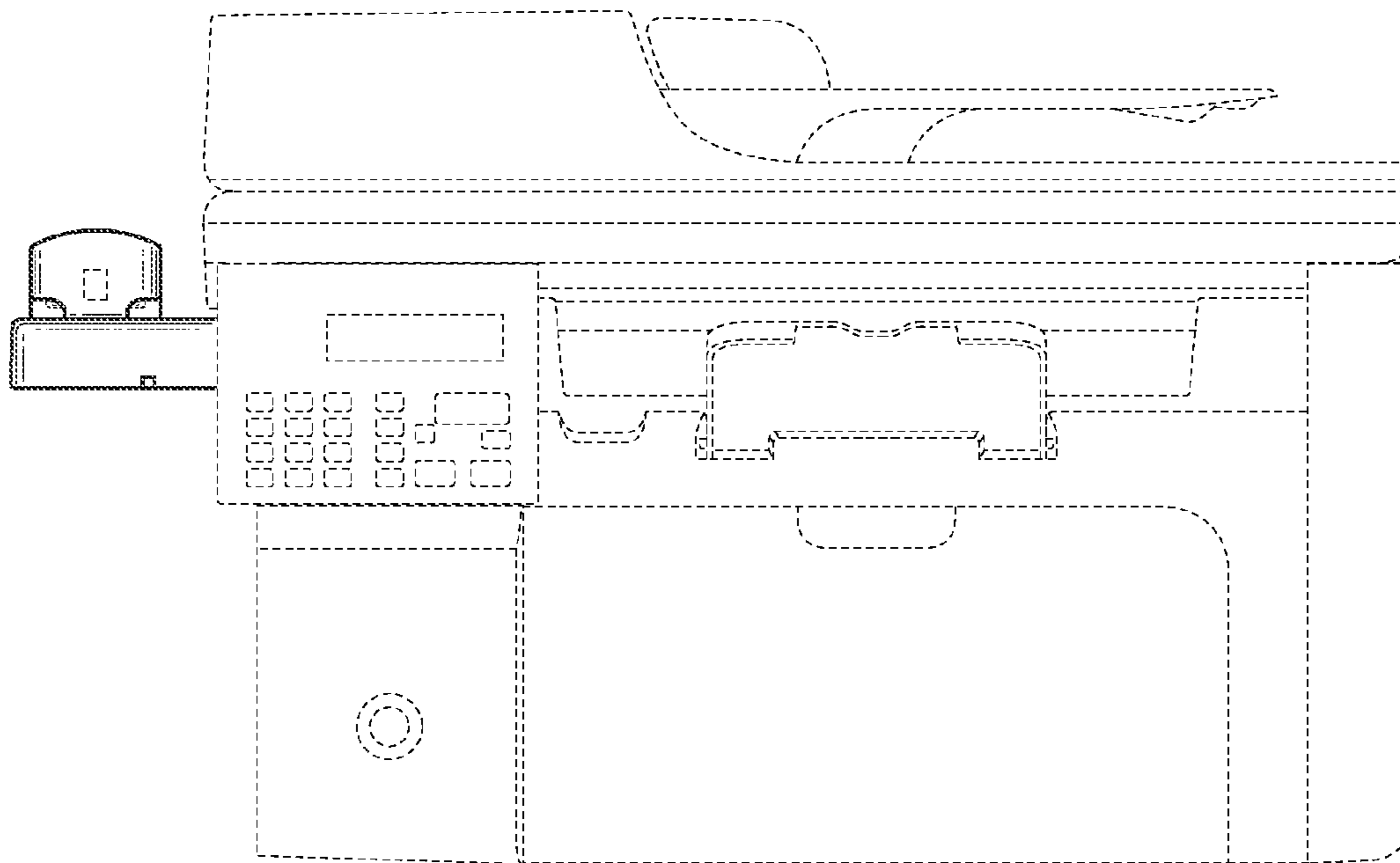


Fig. 2

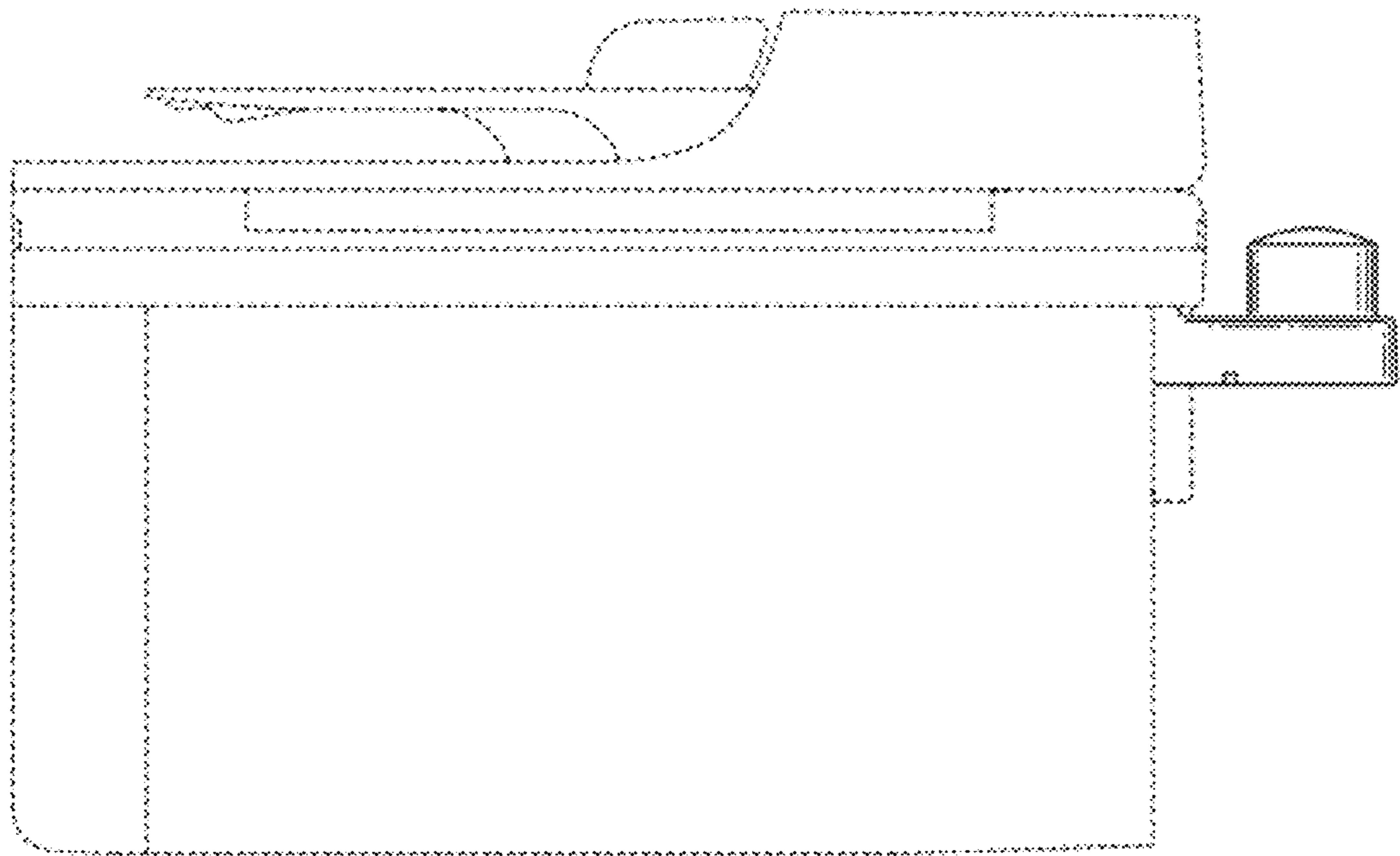


Fig. 3

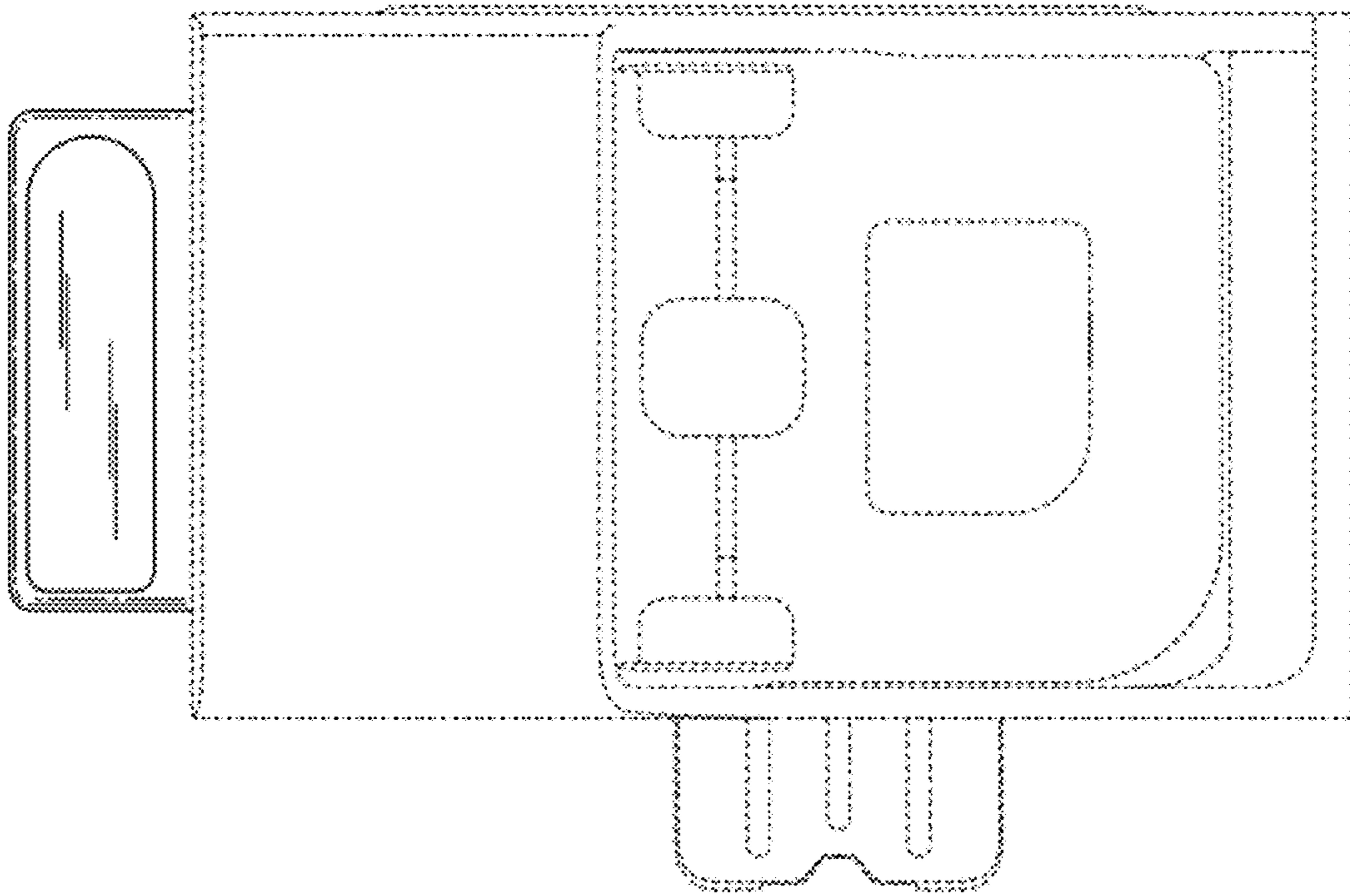


Fig. 4

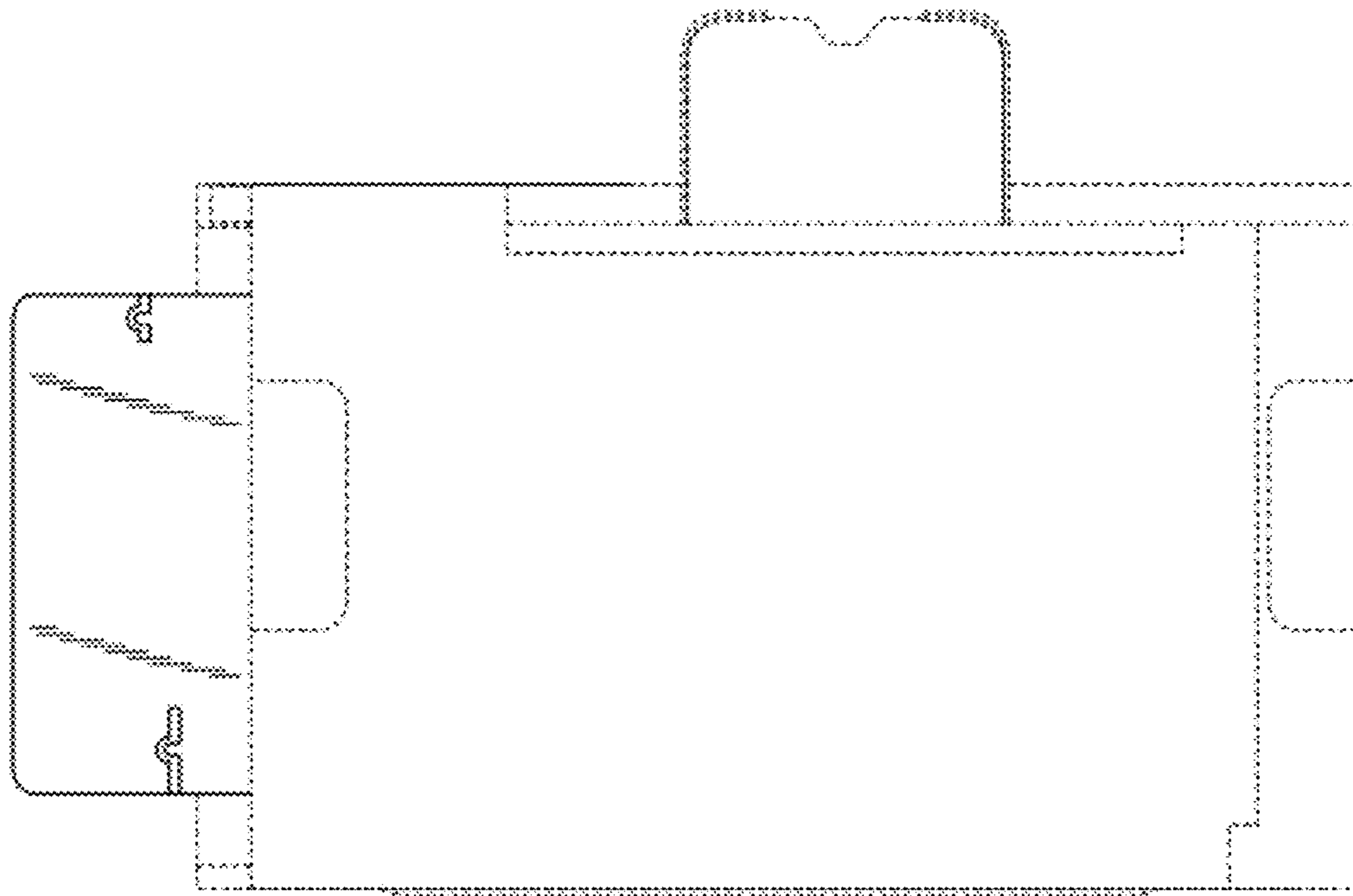
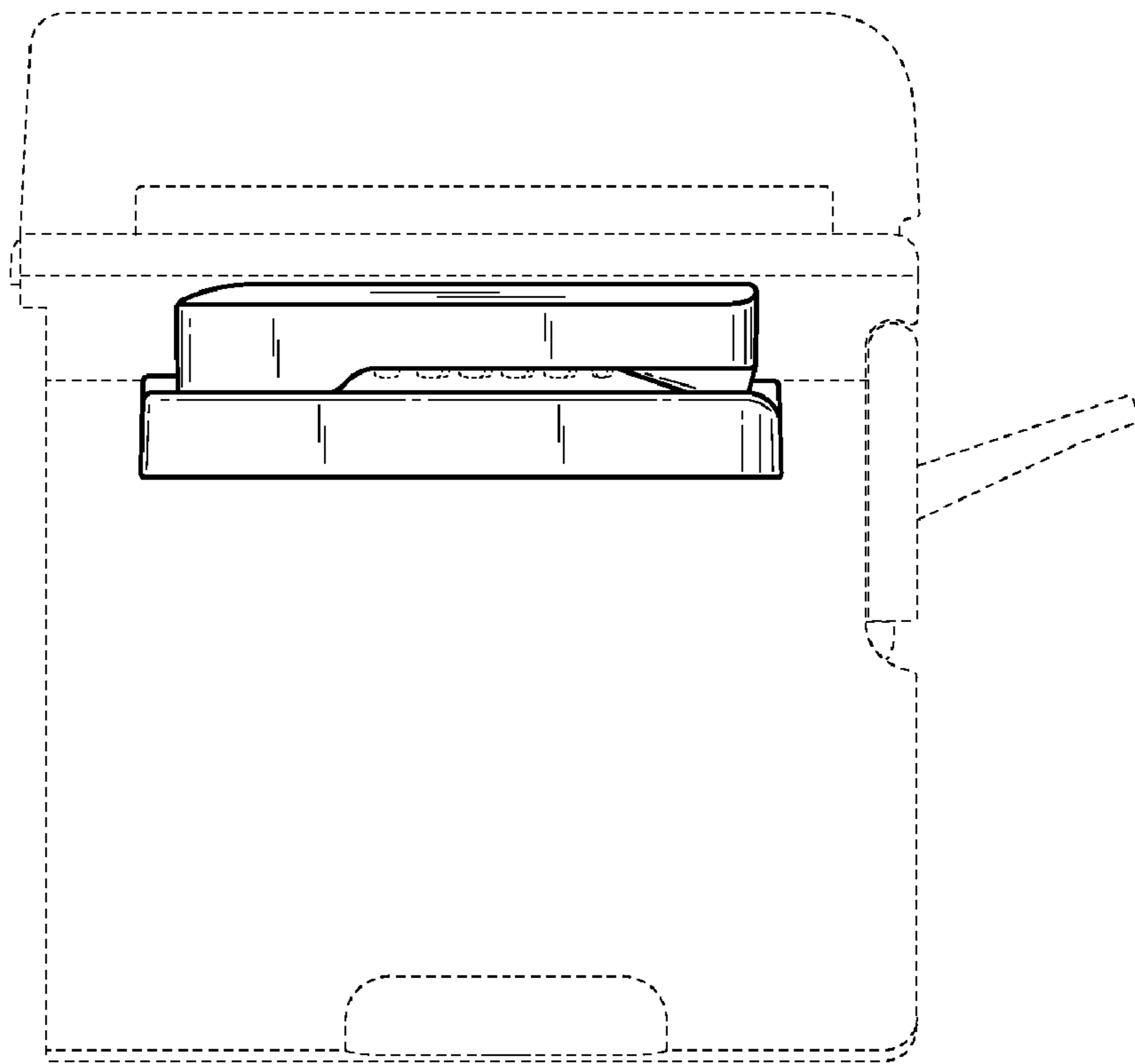


Fig. 5



**Fig. 6**