



US00D655330S

(12) **United States Design Patent**
Tsai

(10) **Patent No.:** **US D655,330 S**
(45) **Date of Patent:** **** Mar. 6, 2012**

(54) **UKULELE**

(75) Inventor: **Chang-Shou Tsai**, Hsinchu County
(TW)

(73) Assignee: **Team International Music Co., Ltd.**,
Hsinchu County (TW)

(**) Term: **14 Years**

(21) Appl. No.: **29/402,257**

(22) Filed: **Sep. 22, 2011**

(51) **LOC (9) Cl.** **17-03**

(52) **U.S. Cl.** **D17/14; D17/19**

(58) **Field of Classification Search** D17/14,
D17/18, 19; 84/267, 269, 290–292
See application file for complete search history.

(56) **References Cited**

U.S. PATENT DOCUMENTS

1,692,207	A *	11/1928	Hall	84/314	R
2,498,926	A *	2/1950	Mitchell	84/267	
2,588,101	A *	3/1952	Finder	84/291	
2,903,935	A *	9/1959	Raze	84/318	
3,153,970	A *	10/1964	Mulchi	84/485	R
D242,074	S *	10/1976	Kasha	D17/19	
5,092,213	A *	3/1992	Cipriani	84/299	
D338,682	S *	8/1993	Threadgill	D17/19	

D375,901	S *	11/1996	Wong	D10/6	
6,329,581	B1 *	12/2001	Negin	84/293	
6,333,454	B1 *	12/2001	Griffiths	84/291	
7,259,308	B2 *	8/2007	Geiger	84/294	
D611,523	S *	3/2010	Chan	D17/19	

OTHER PUBLICATIONS

Wordans. <http://www.wordans.us/music-t-shirt-marketplace/smiling-ukulele-92469>. Copyright 2011. "T-shirts Smiling Ukulele".*

* cited by examiner

Primary Examiner — Rashida Johnson

(74) *Attorney, Agent, or Firm* — Andrew F. Young, Esq.;
Lackebach Siegel, LLP

(57) **CLAIM**

The ornamental design for a ukulele, as shown and described.

DESCRIPTION

FIG. 1 is a front perspective view of the invention.

FIG. 2 is a top plan of FIG. 1.

FIG. 3 is a bottom plan view of FIG. 1.

FIG. 4 is a left side elevational view of FIG. 1.

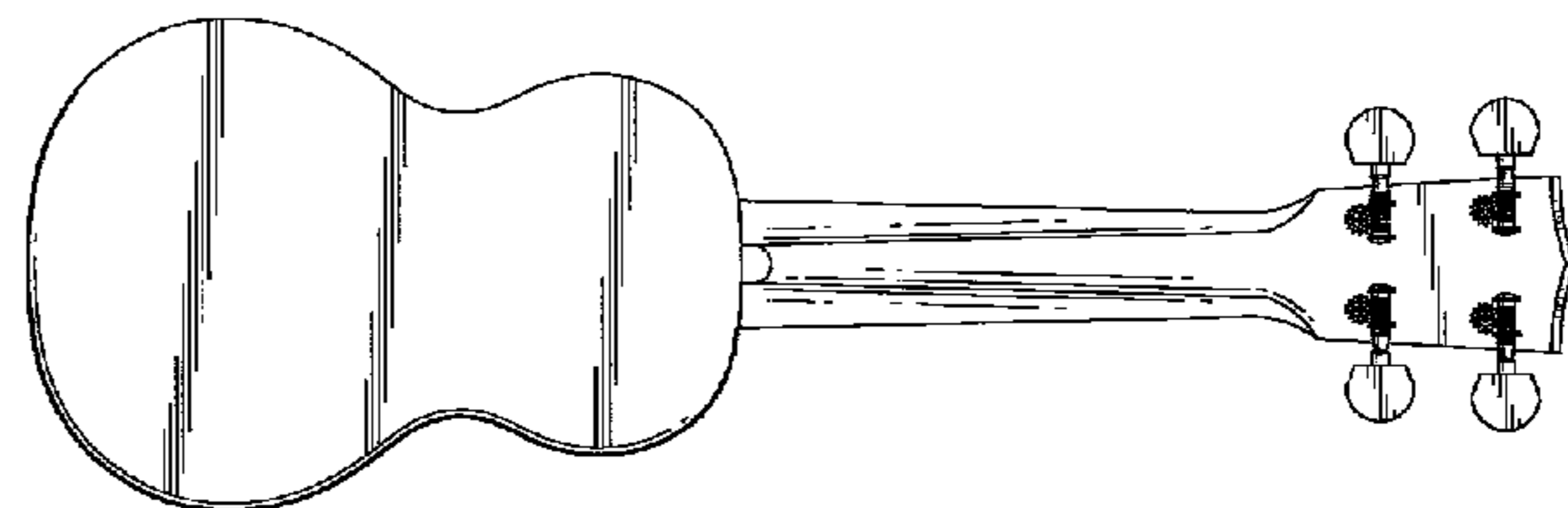
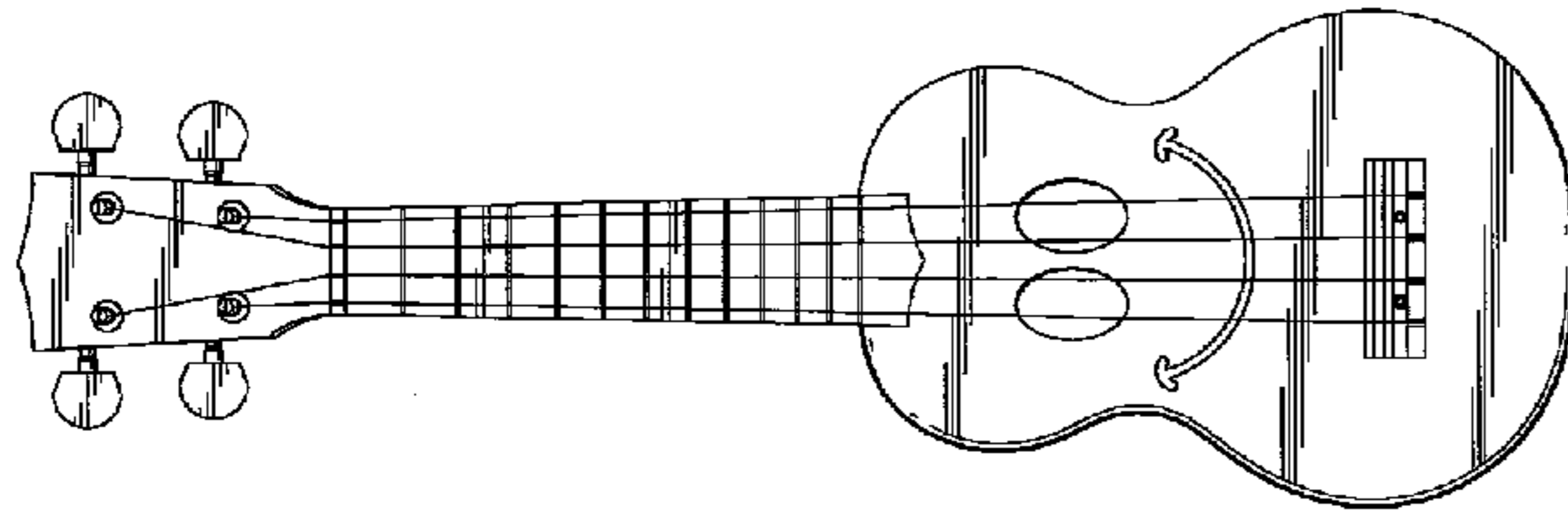
FIG. 5 is a right side rear elevational view of FIG. 1.

FIG. 6 is a rear elevational view of FIG. 1; and

FIG. 7 is a front elevational view of FIG. 1.

The line shading shown on the surfaces of the ukulele is for contour illustration only.

1 Claim, 5 Drawing Sheets



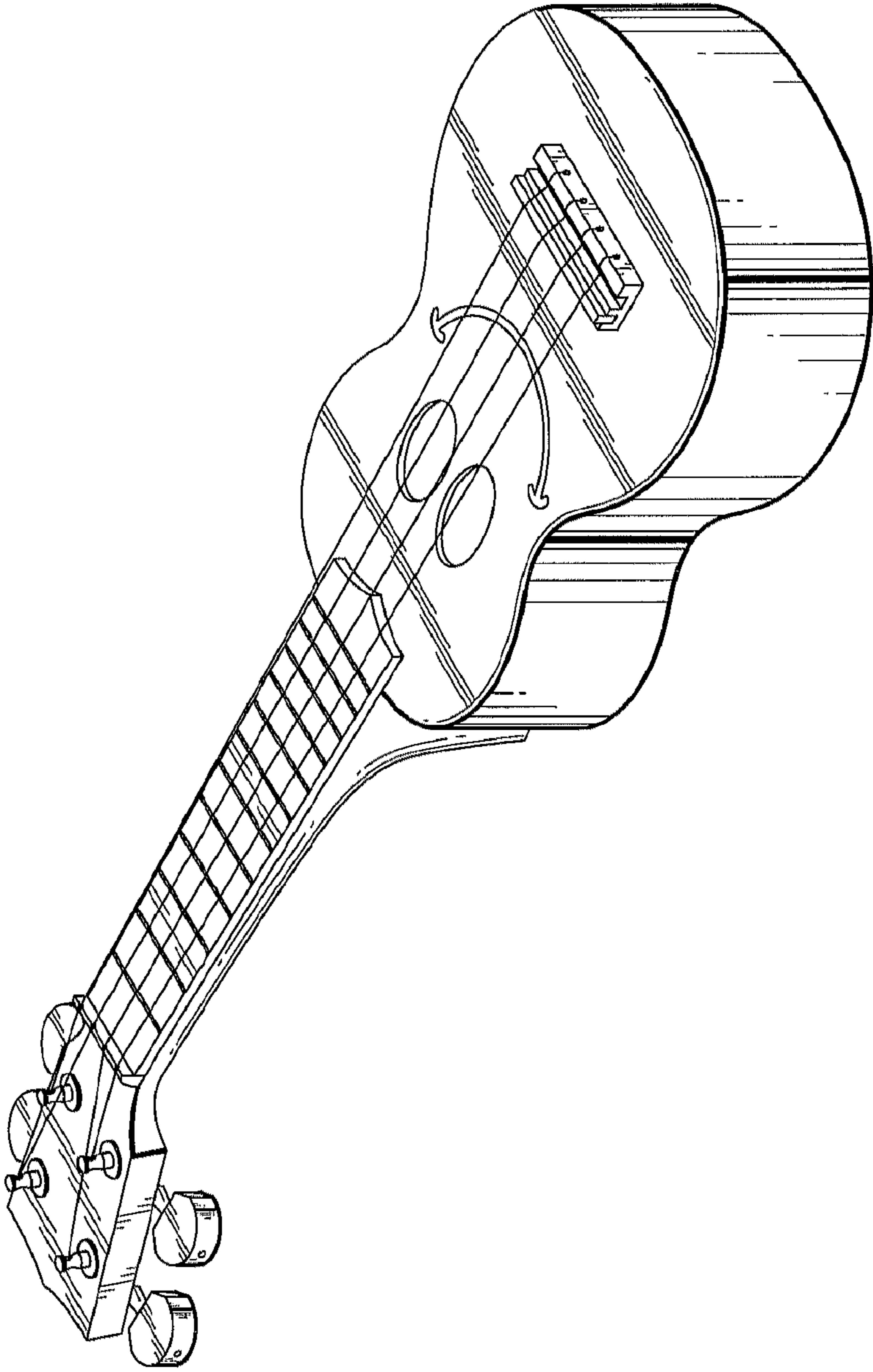


FIG. 1

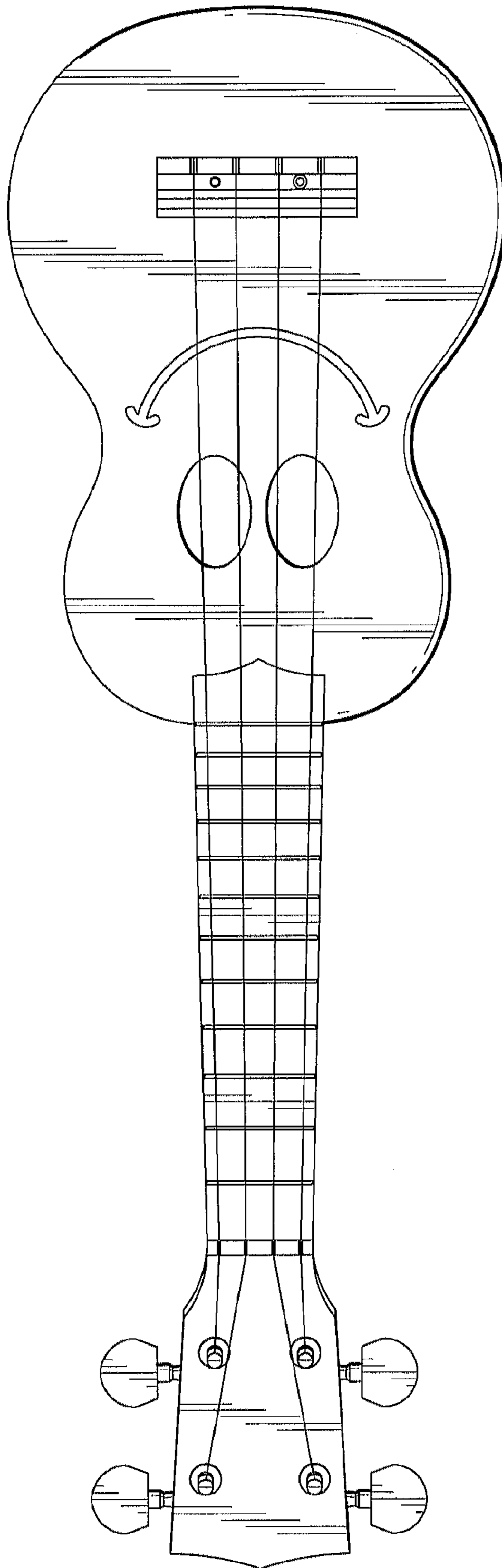


FIG. 2

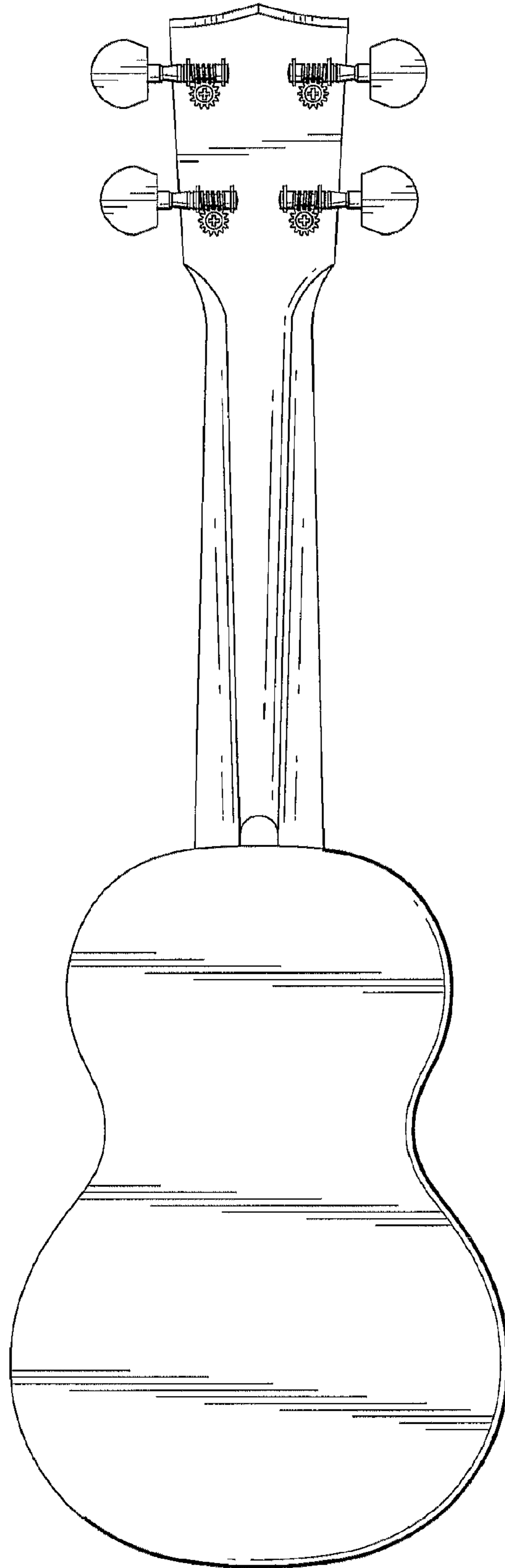


FIG. 3

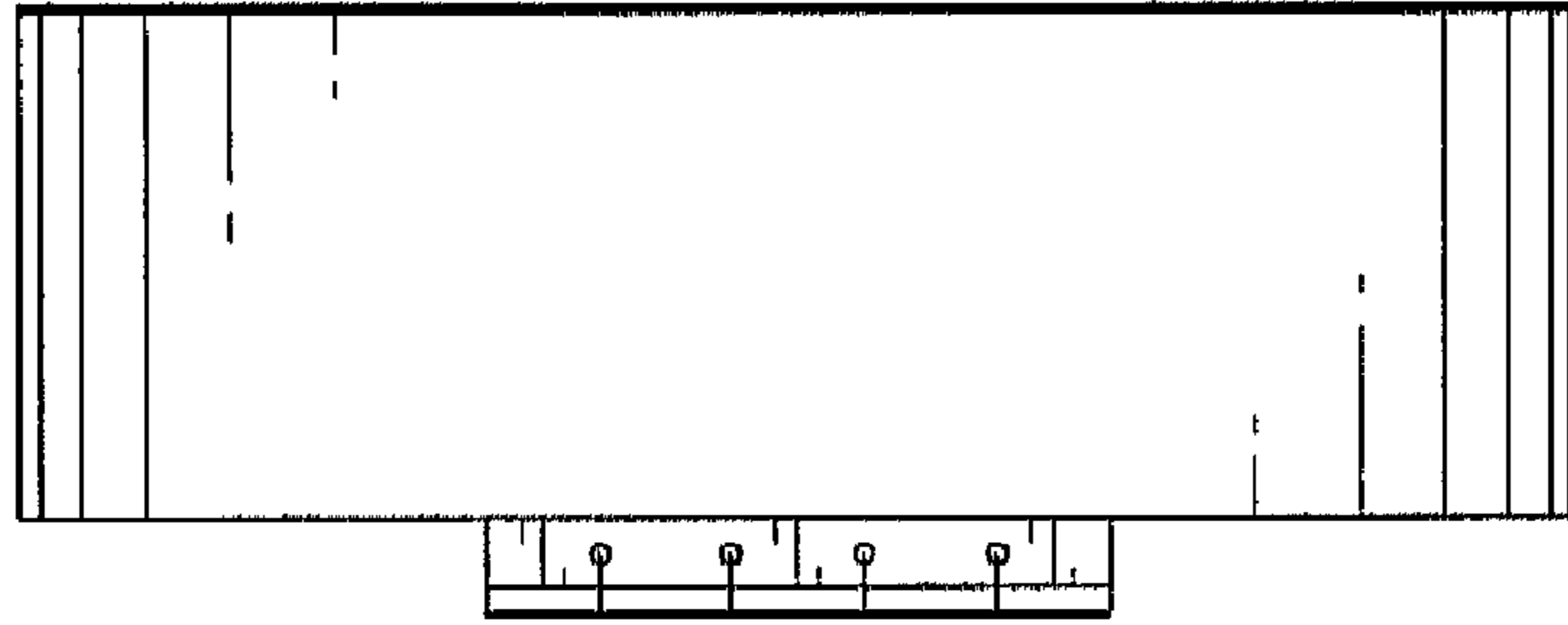


FIG. 5

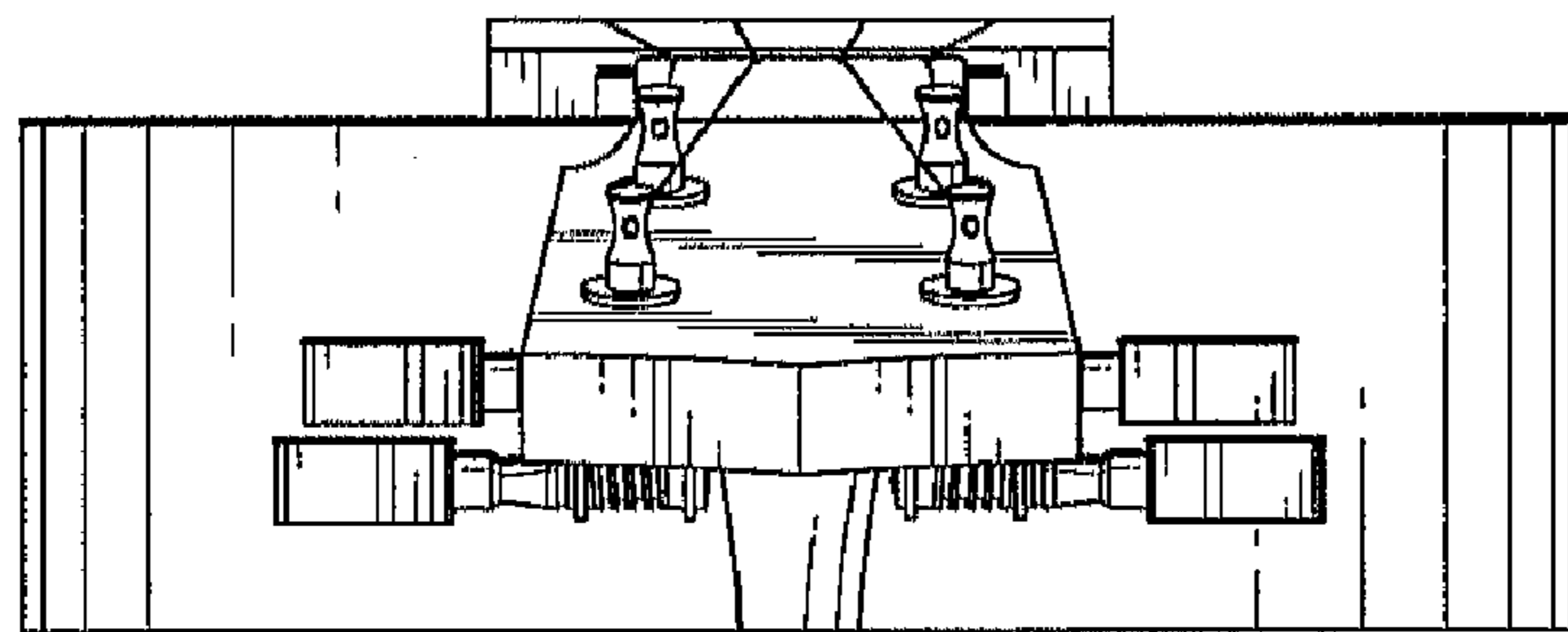


FIG. 4

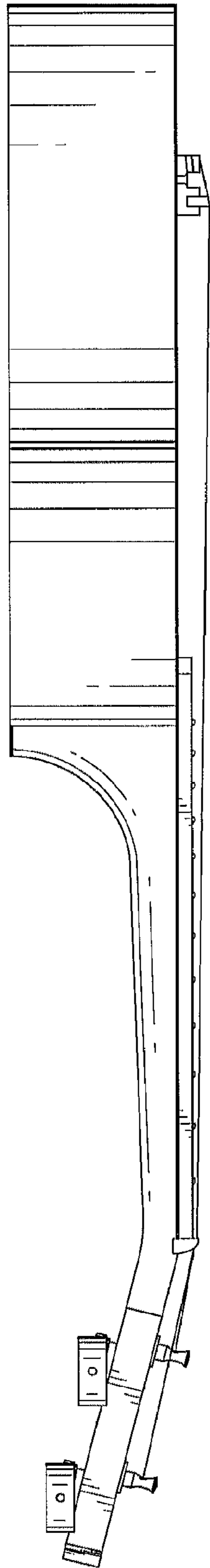


FIG. 6

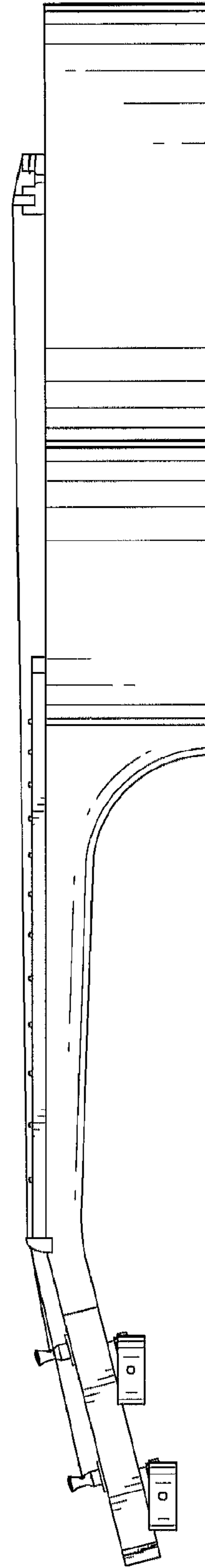


FIG. 7