



US00D655329S

(12) **United States Design Patent**
Nakanishi

(10) **Patent No.:** **US D655,329 S**
(45) **Date of Patent:** **** Mar. 6, 2012**

(54) **VIDEO PROJECTOR**

(75) Inventor: **Yutaka Nakanishi**, Tokyo (JP)

(73) Assignee: **JVC Kenwood Corporation**,
Yokohama-shi, Kanagawa (JP)

(**) Term: **14 Years**

(21) Appl. No.: **29/377,167**

(22) Filed: **Oct. 18, 2010**

(30) **Foreign Application Priority Data**

Apr. 20, 2010 (JP) D2010-009853

(51) **LOC (9) Cl.** **16-02**

(52) **U.S. Cl.** **D16/230; D16/225**

(58) **Field of Classification Search** D16/205,
D16/208, 221, 225, 230-231, 234; D21/514;
353/115, 119, 122

See application file for complete search history.

(56) **References Cited**

U.S. PATENT DOCUMENTS

D371,148 S * 6/1996 Kobayashi D16/221
D401,261 S * 11/1998 Yamazaki et al. D16/225
D418,532 S * 1/2000 Kuramoto et al. D16/230
D421,037 S * 2/2000 Kawamoto et al. D16/231
D422,292 S * 4/2000 Takizawa D16/231

D438,555 S * 3/2001 Shiota D16/231
D438,884 S * 3/2001 Shiota et al. D16/231
D439,594 S * 3/2001 Komatsu et al. D16/231
D451,941 S * 12/2001 Takizawa D16/230
D527,408 S * 8/2006 Azuma D16/230

* cited by examiner

Primary Examiner — Wan Laymon

(74) *Attorney, Agent, or Firm* — The Nath Law Group;
Jerald L. Meyer; Derek Richmond

(57) **CLAIM**

The ornamental design for a video projector, as shown and described.

DESCRIPTION

FIG. 1 is a reduced front perspective view of a video projector showing my design;

FIG. 2 is a reduced rear perspective view thereof;

FIG. 3 is a front view thereof;

FIG. 4 is a rear view thereof;

FIG. 5 is a right side view thereof;

FIG. 6 is a left side view thereof;

FIG. 7 is a top plan view thereof; and,

FIG. 8 is a bottom plan view thereof.

The broken lines showing on the drawing disclosure are for illustrative purposes only and form no part of the claimed design.

1 Claim, 6 Drawing Sheets

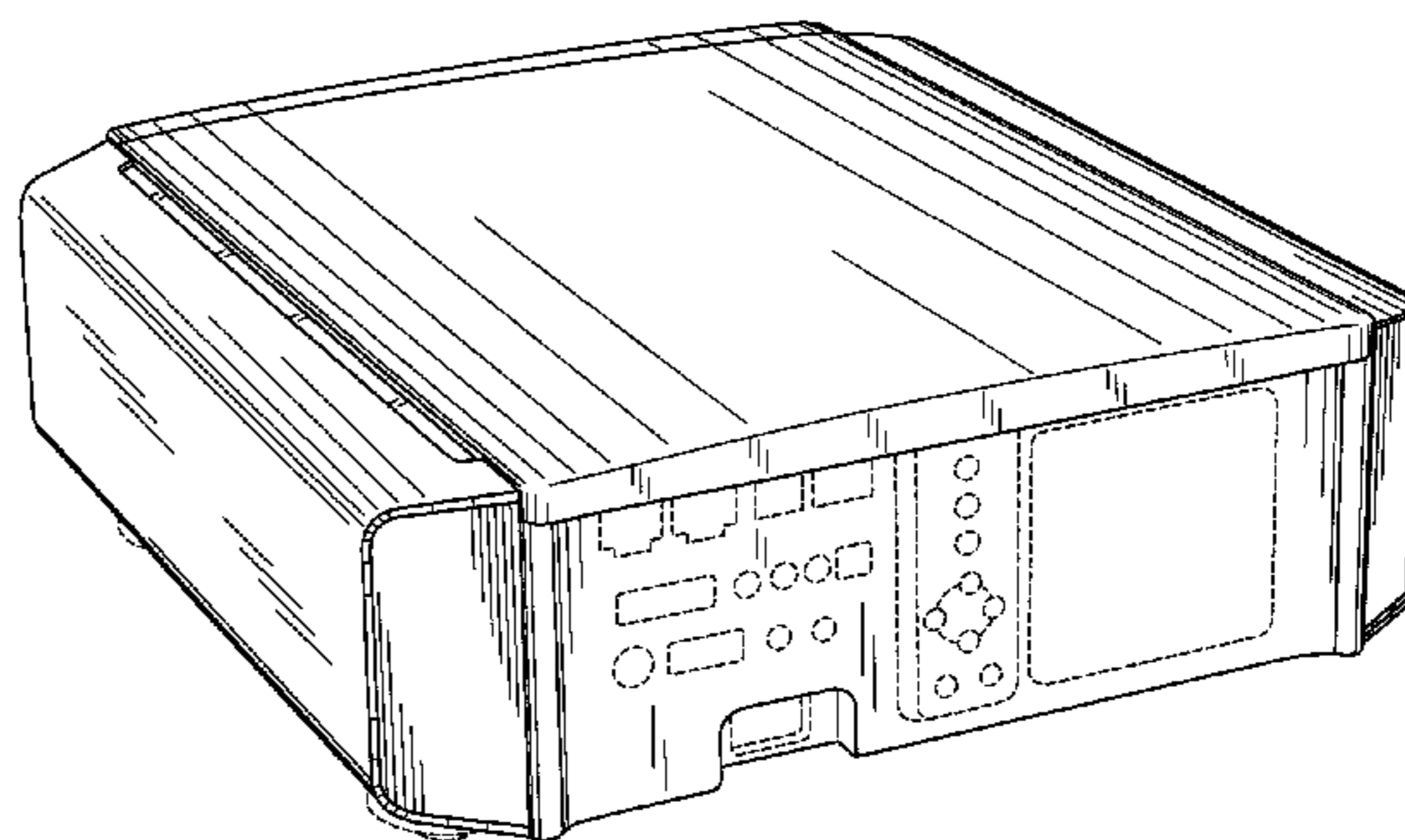
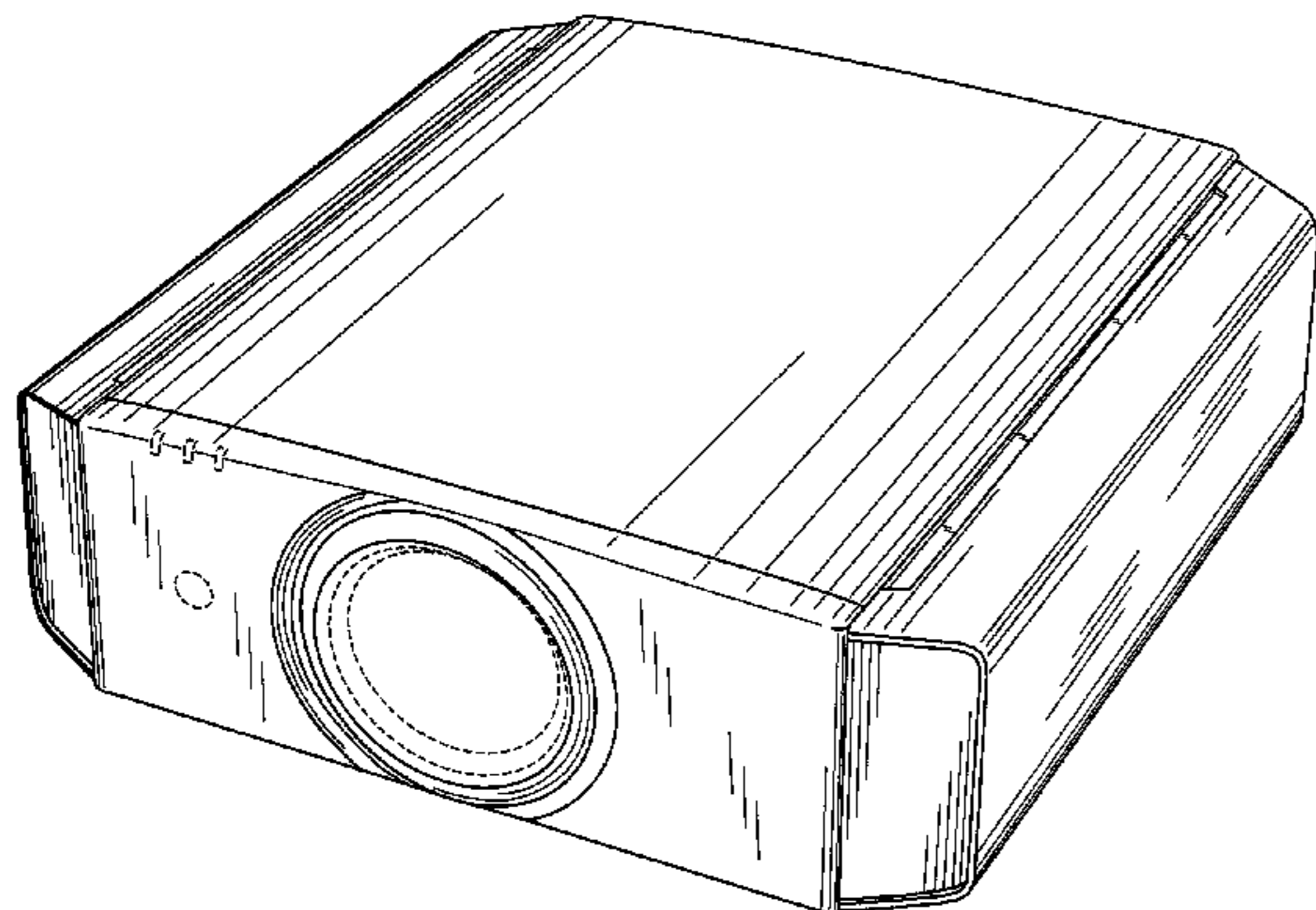


Fig. 1

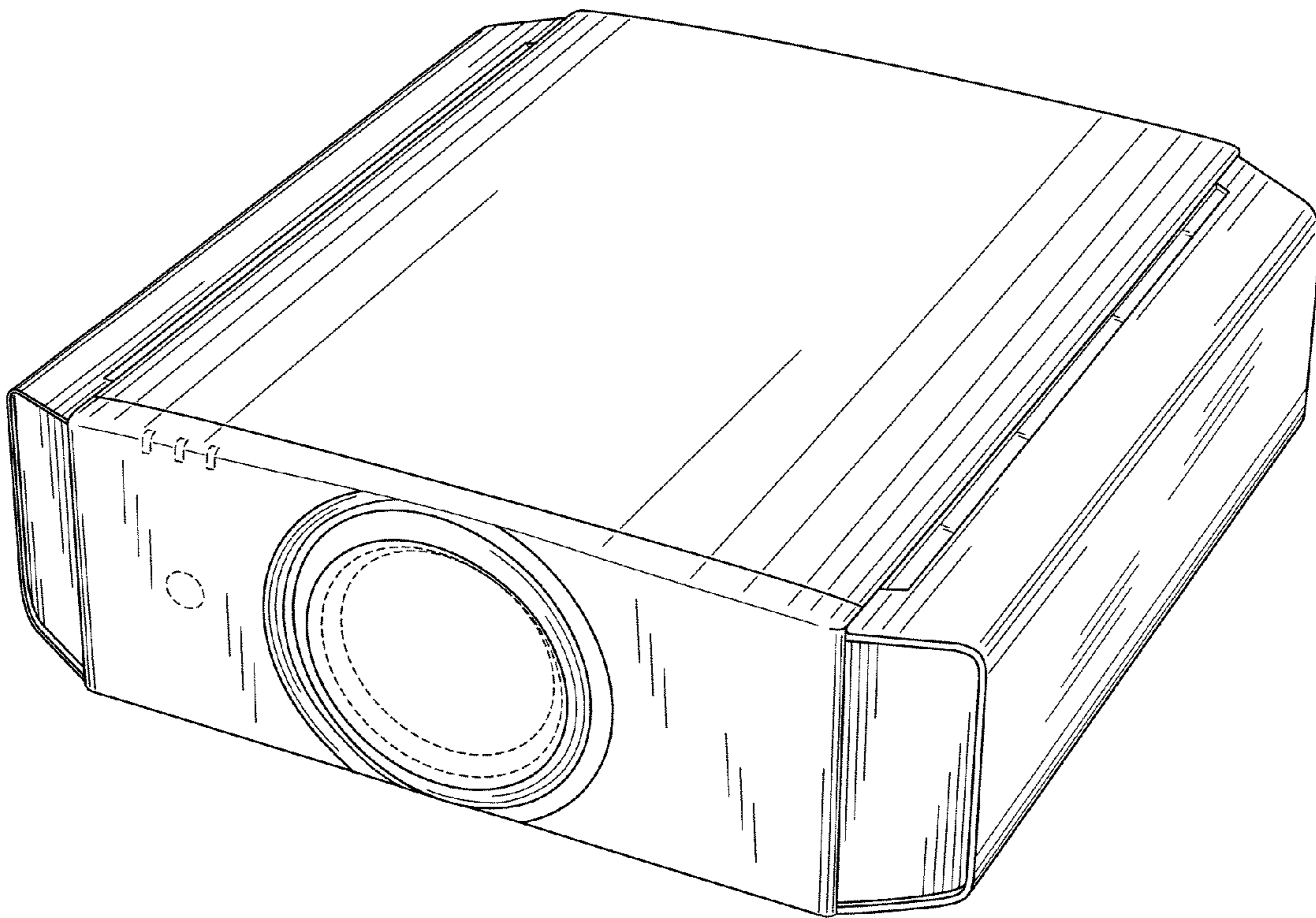


Fig.2

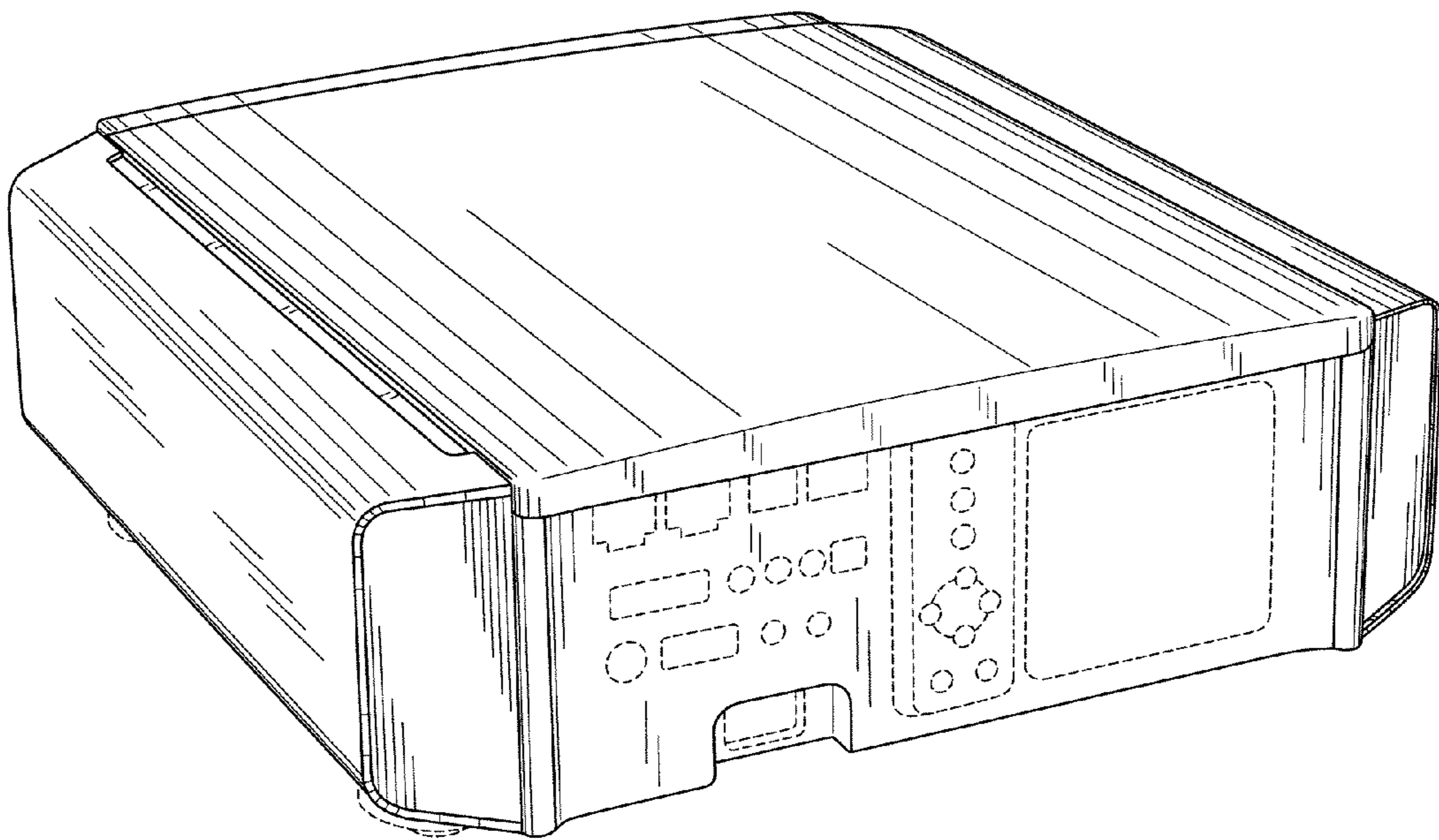


Fig.3

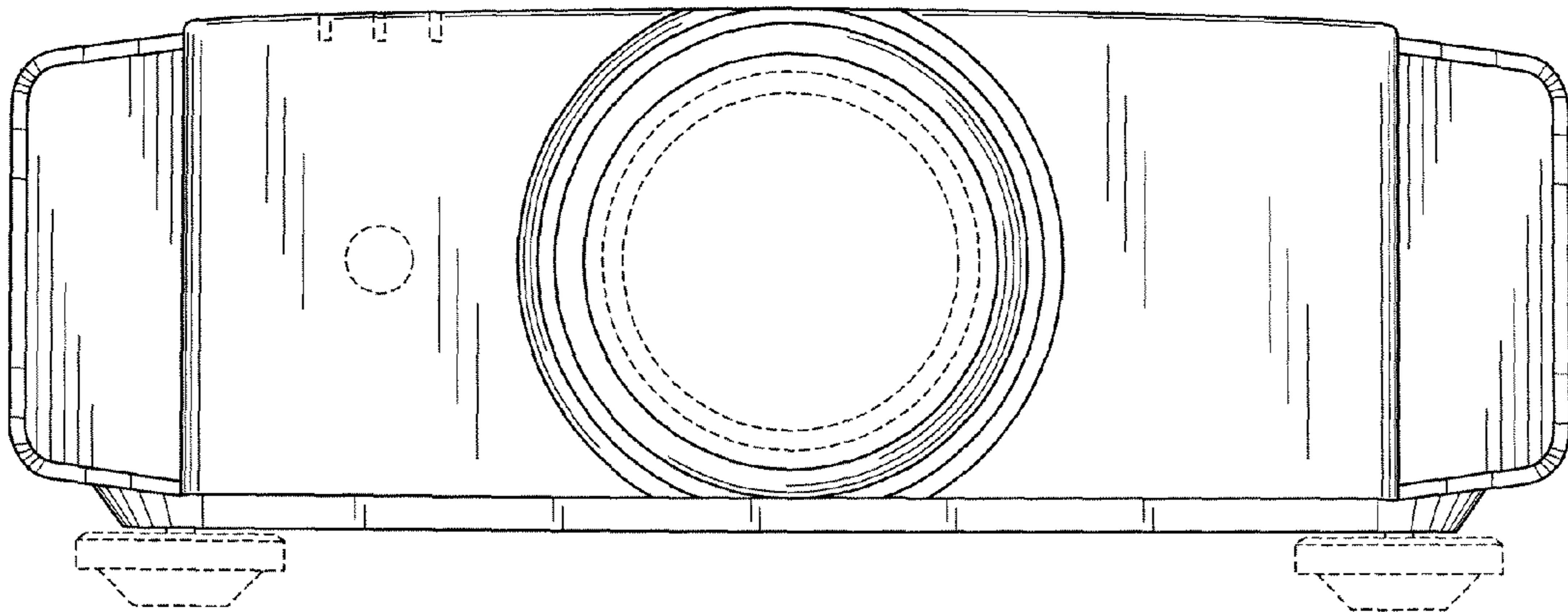


Fig.4

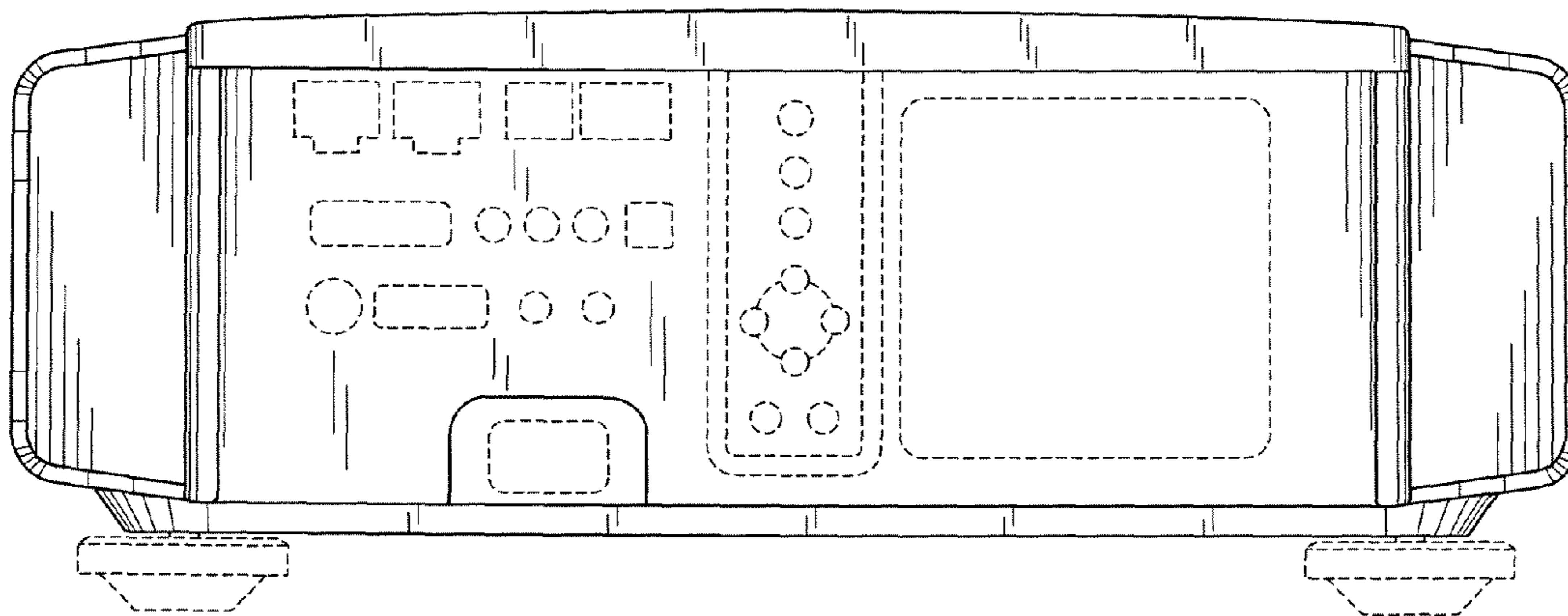


Fig.5

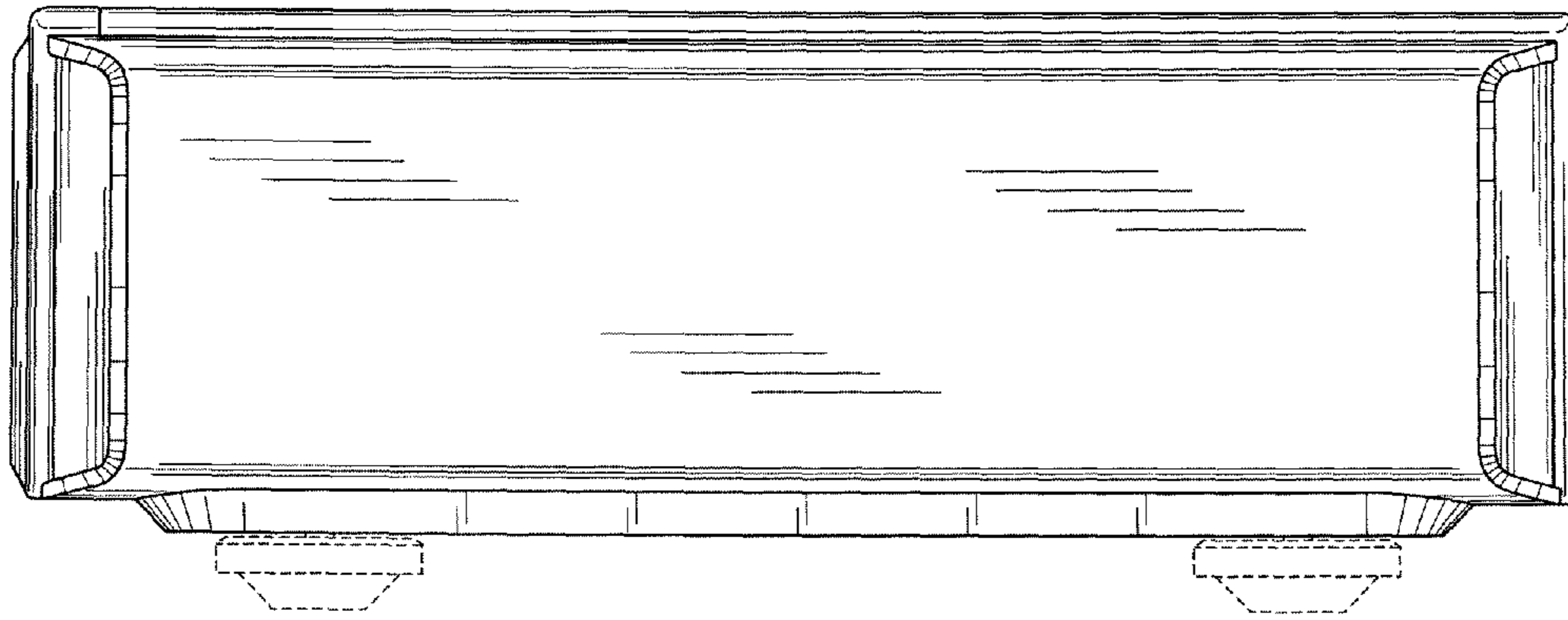


Fig.6

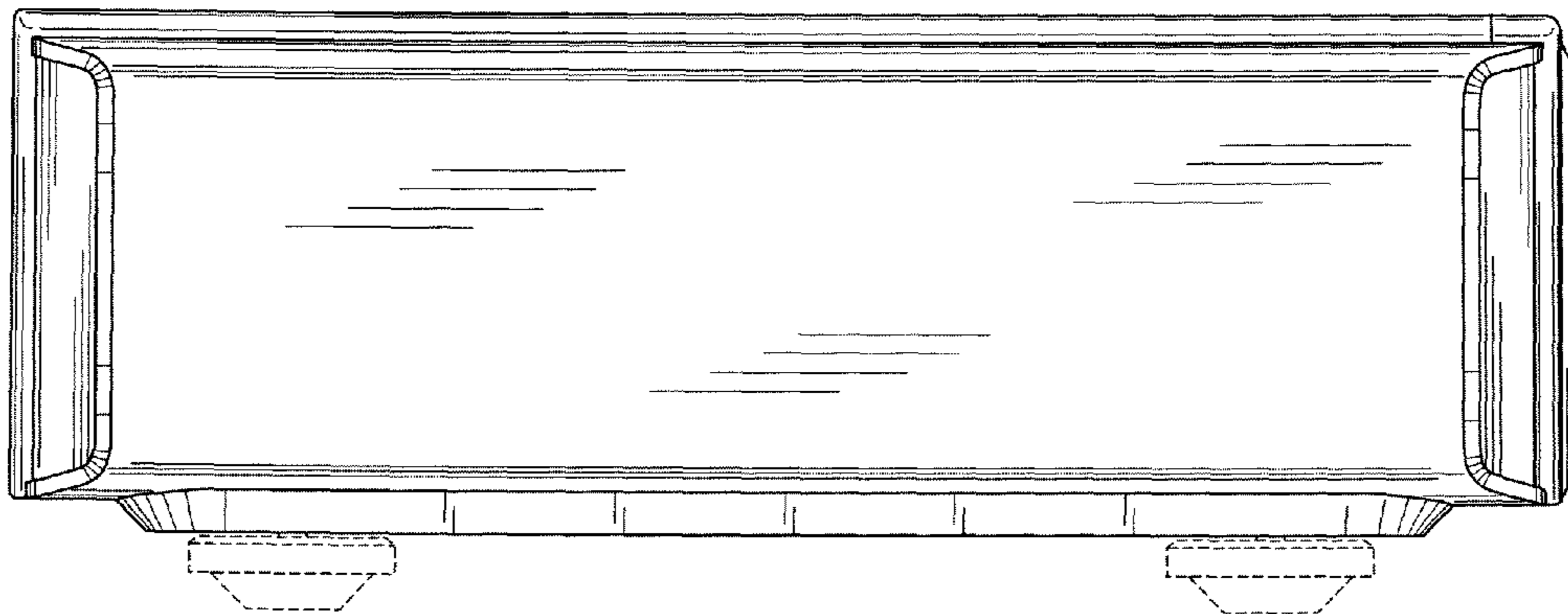


Fig. 7

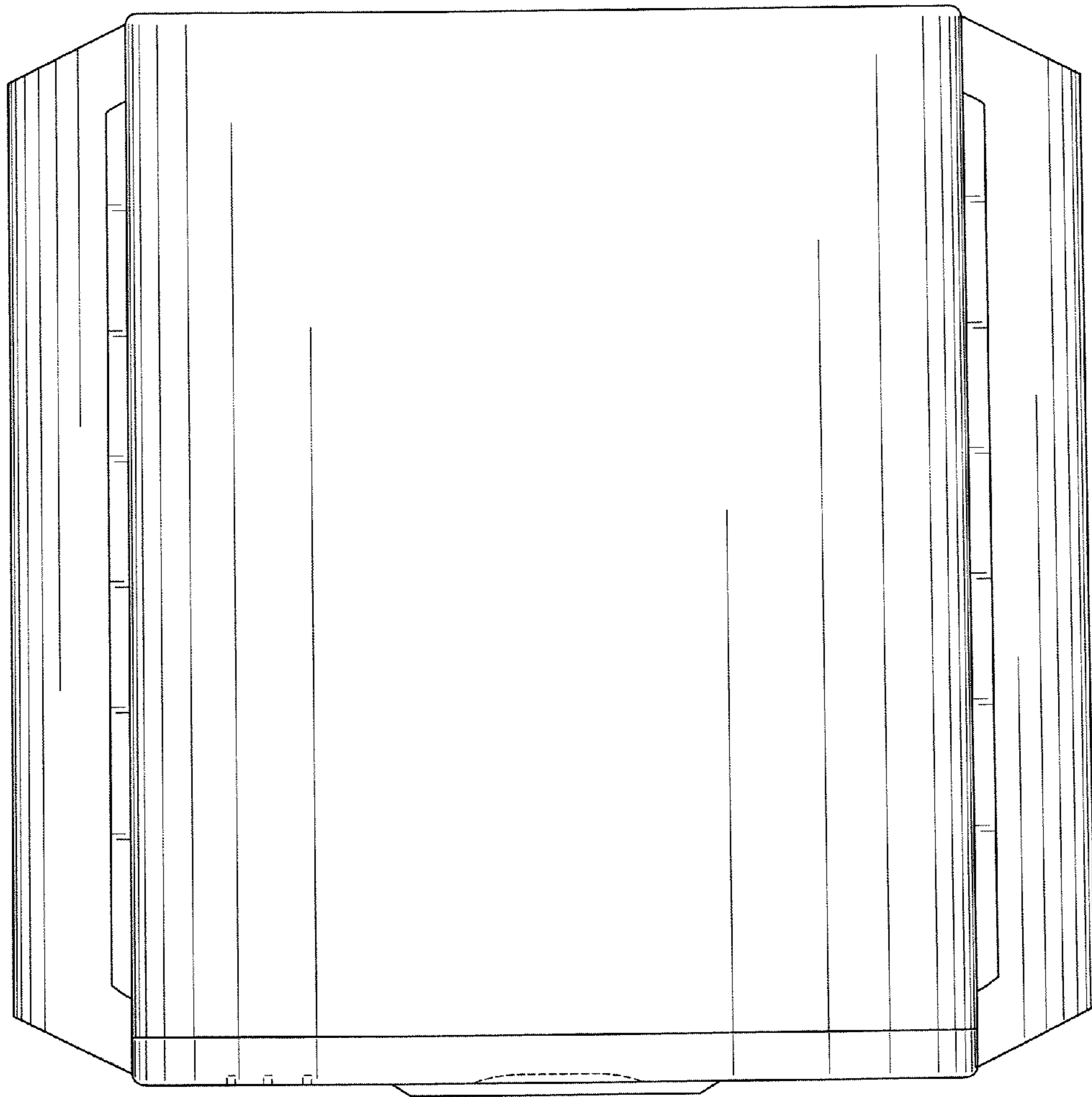


Fig.8

