



US00D655328S

(12) **United States Design Patent**  
**Annebäck et al.**

(10) **Patent No.:** **US D655,328 S**  
(45) **Date of Patent:** **\*\* Mar. 6, 2012**

(54) **SURVEILLANCE CAMERA**

(75) Inventors: **Elin Annebäck**, Malmö (SE); **Morten Bergström**, Bjärred (SE); **Magnus Sjöberg**, Lomma (SE); **Samir Hélaoui**, Malmö (SE)

(73) Assignee: **Axis Aktiebolag**, Lund (SE)

(\*\*) Term: **14 Years**

(21) Appl. No.: **29/380,411**

(22) Filed: **Dec. 3, 2010**

**Related U.S. Application Data**

(63) Continuation of application No. 29/343,634, filed on Sep. 16, 2009, now Pat. No. Des. 636,804.

(30) **Foreign Application Priority Data**

Mar. 30, 2009 (EM) ..... 001113641

(51) **LOC (9) Cl.** ..... **16-05**

(52) **U.S. Cl.** ..... **D16/219; D16/203**

(58) **Field of Classification Search** ..... D16/200–204,  
D16/218, 219; 348/143, 151, 373–376; 396/427,  
396/535–541

See application file for complete search history.

(56) **References Cited**

**U.S. PATENT DOCUMENTS**

D416,273	S *	11/1999	Yamakawa et al.	.....	D16/203
6,268,882	B1	7/2001	Elberbaum		
6,678,001	B1 *	1/2004	Elberbaum	.....	348/373
6,715,940	B2 *	4/2004	Top et al.	.....	396/427
D494,992	S *	8/2004	Seo	.....	D16/203
D497,927	S	11/2004	Arbuckle et al.		
D507,804	S *	7/2005	Nagai	.....	D16/203
D513,028	S	12/2005	Maruyama		
D558,248	S	12/2007	Togawa et al.		
D560,244	S	1/2008	Naruki		
D594,048	S	6/2009	Yamakawa		

7,651,281	B2	1/2010	Wen		
7,661,890	B2	2/2010	Basho		
D615,114	S	5/2010	Arnold et al.		
D633,120	S *	2/2011	Ham	.....	D16/203

**OTHER PUBLICATIONS**

U.S. Appl. No. 29/343,639, filed Sep. 16, 2009, Anneback, et al.  
Axis 225FD Fixed Dome Network Camera, <http://www.axis.com/products/cam 225/>; Launched 2005; 2 pgs.  
Axis 216MFD Network Camera; <http://www.axis.com/products/cam 216mfd/>; Launched 2006; 2 pgs.  
Axis 215 PTZ Network Camera; <http://www.axis.com/products/cam 215/>; Launched 2007; 2 pgs.  
Axis 233D Network Dome Camera; <http://www.axis.com/products/cam 233d/>; Launched 2007; 2 pgs.

(Continued)

*Primary Examiner* — Adir Aronovich  
(74) *Attorney, Agent, or Firm* — Oblon, Spivak, McClelland, Maier & Neustadt, L.L.P.

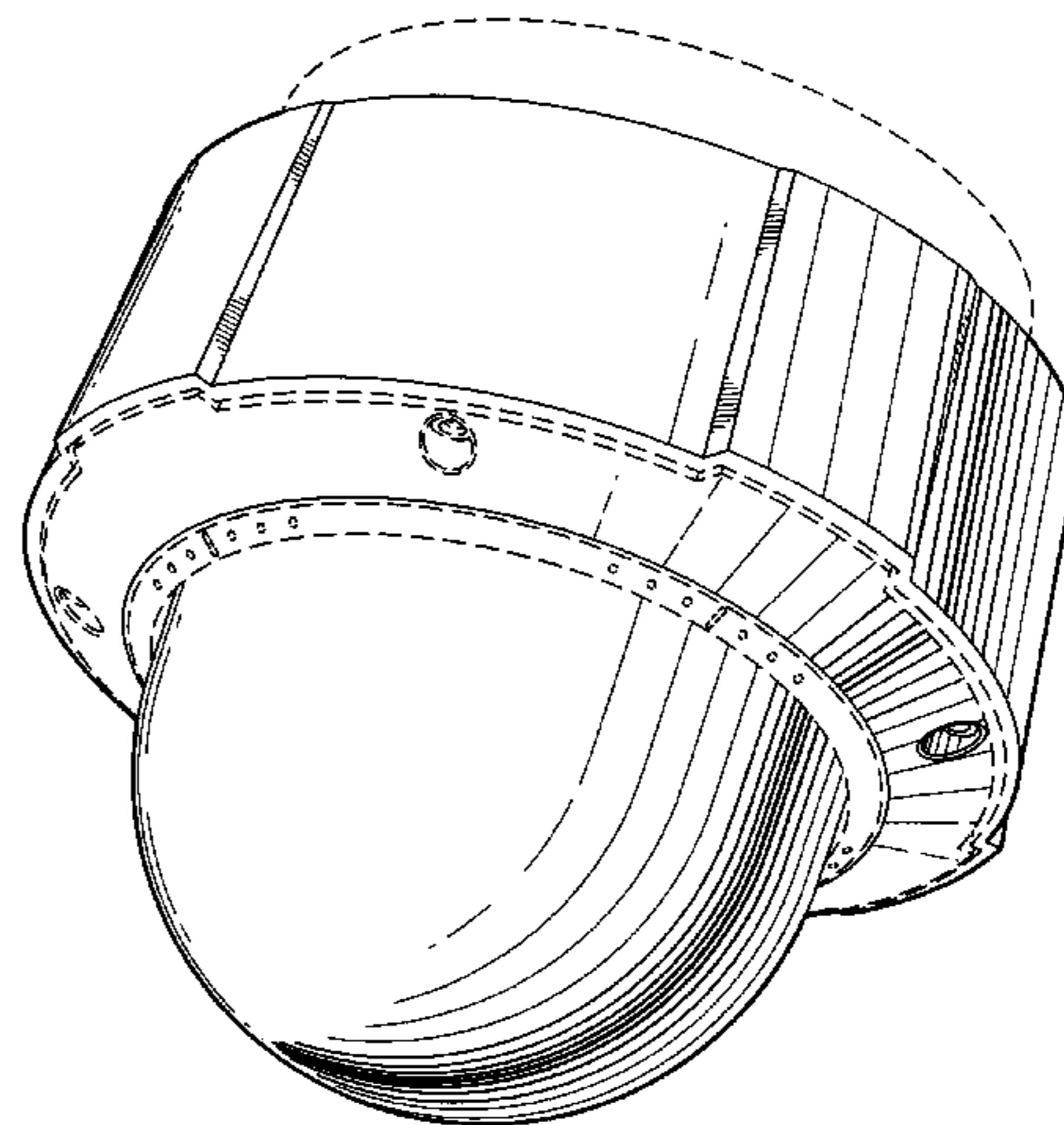
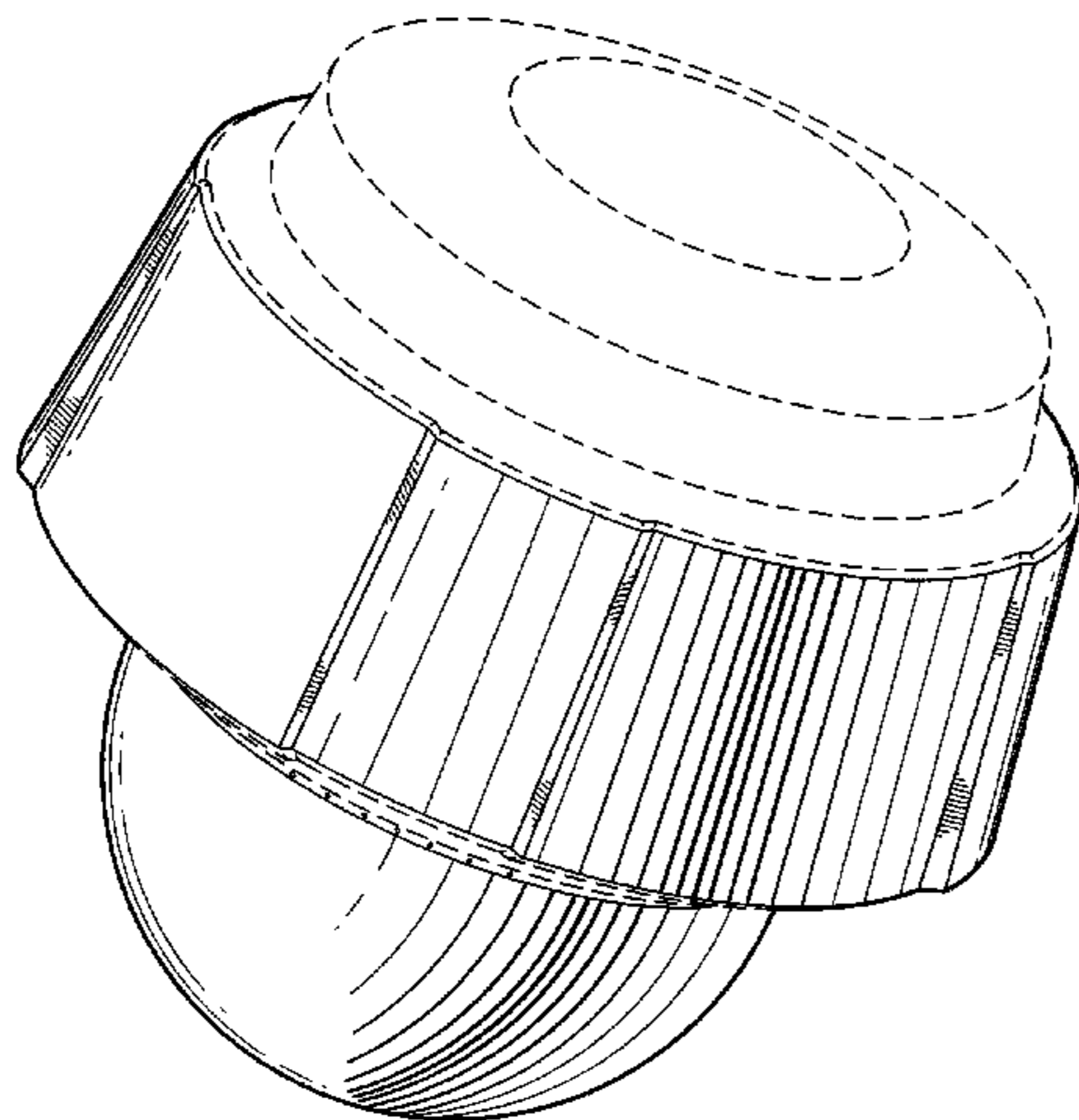
(57) **CLAIM**

The ornamental design for a surveillance camera, as shown and described.

**DESCRIPTION**

FIG. 1 is a front, top, and right side perspective view of a surveillance camera;  
FIG. 2 is a front, bottom, and right side perspective view thereof;  
FIG. 3 is a front elevational view thereof, the rear elevational view, right side elevational view, and left side elevational view each being a mirror image of the front elevational view shown;  
FIG. 4 is an elevational view thereof taken half way between the front elevational view and the right side elevational view;  
FIG. 5 is a top plan view thereof; and,  
FIG. 6 is a bottom plan view thereof.  
The broken lines in the drawings depict environmental subject matter only and form no part of the claimed design.

**1 Claim, 6 Drawing Sheets**



OTHER PUBLICATIONS

ACM-3311; IP Fixed Dome; www.acti.com; Launched Mar. 2008; 2 pgs.

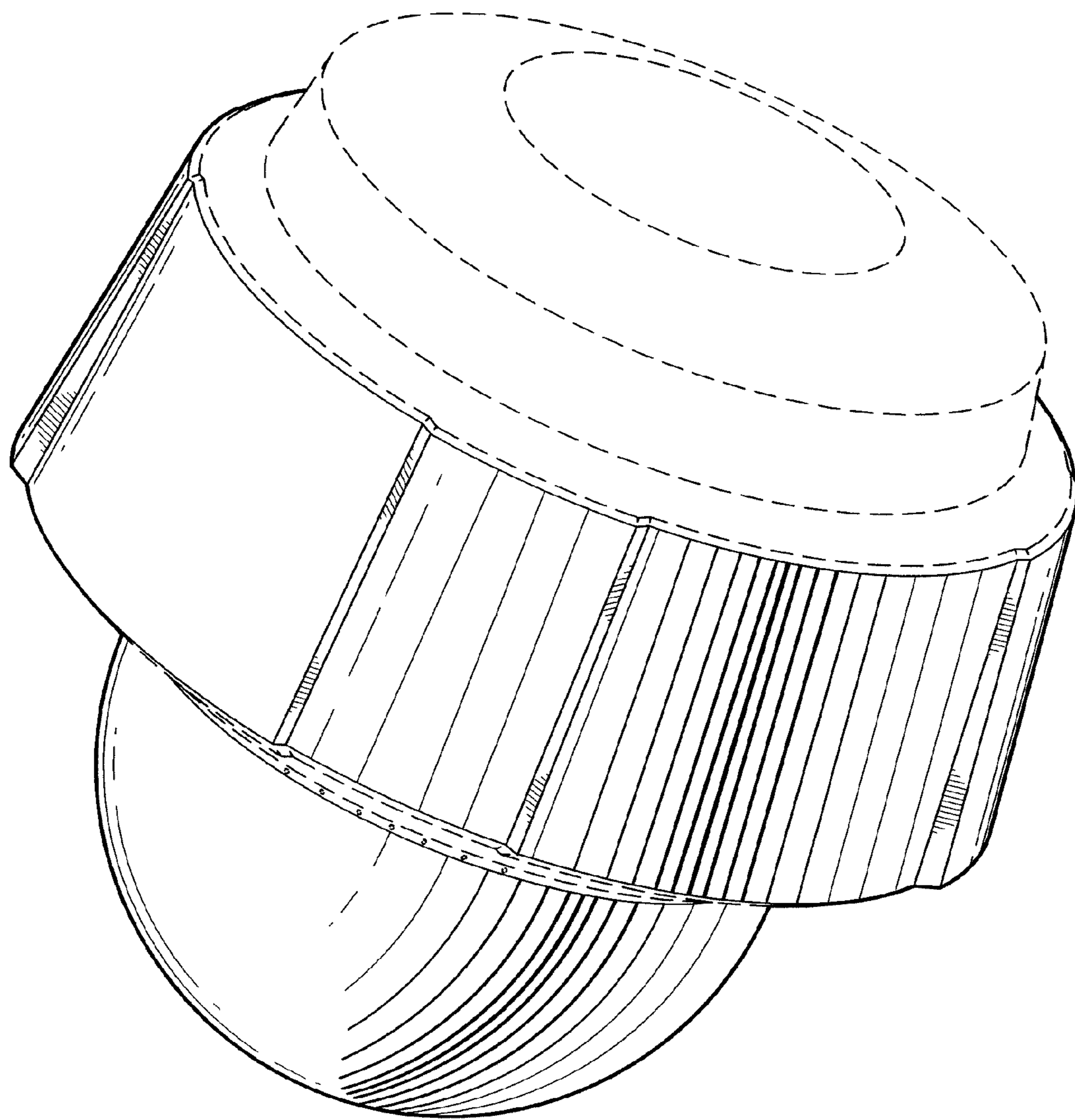
ACM-3401/ACM-3411; Megapixel IP Camera; www.acti.com; Launched Mar. 2008; 2 pgs.

ACM-3511 Megapixel IP Fixed Dome Camera with Vari-focal Lens; www.acti.com; Launched Mar. 2009; 2 pgs.

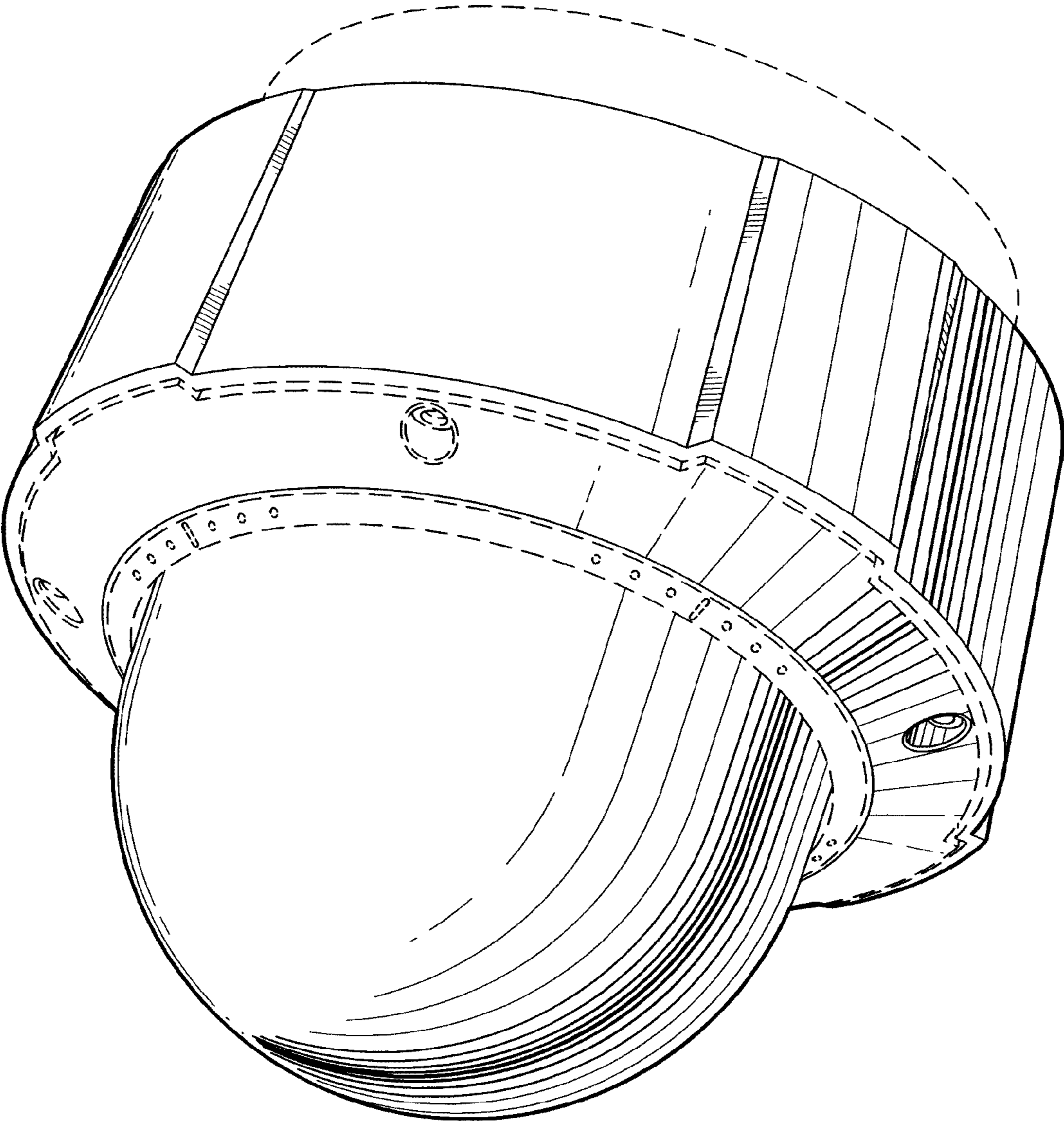
ACM-3011 IP Fixed Dome Camera; www.acti.com; Launched Nov. 2008; 2 pgs.

Other cameras with "wing"-design, Unknown company; camera seen at ISC West trade show Apr. 1-3, 2009, Las Vegas; 1 page.

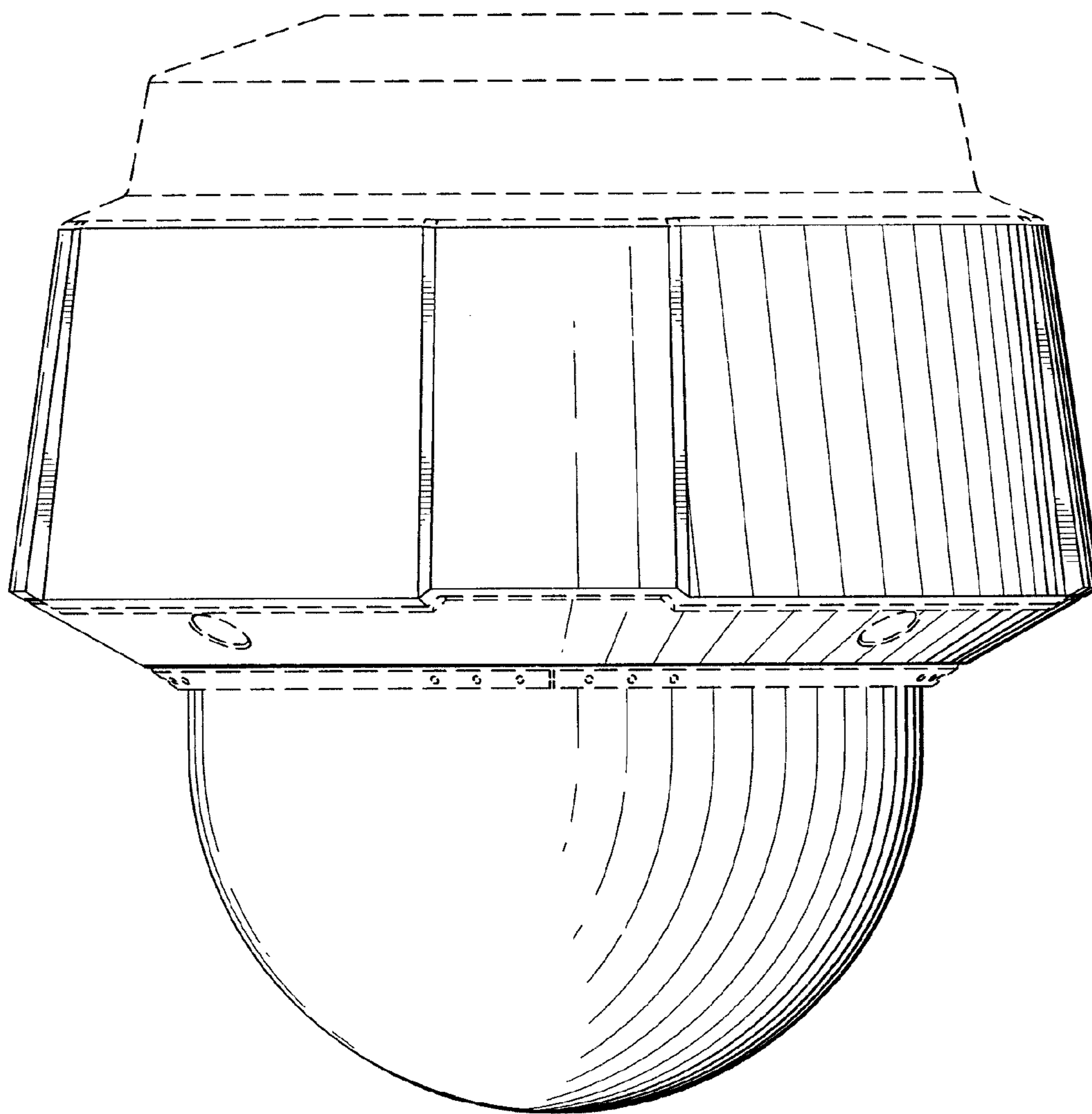
\* cited by examiner



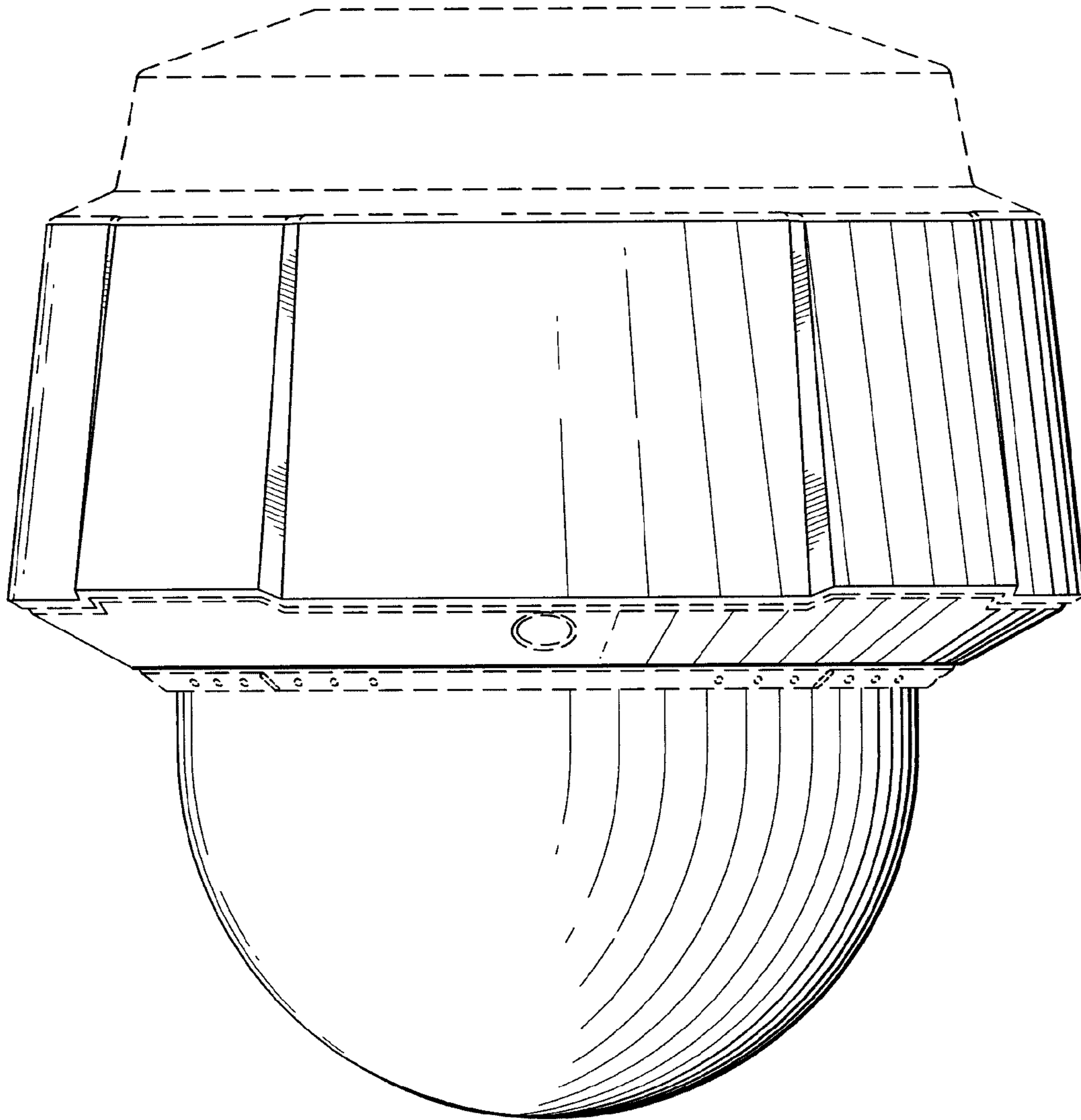
***Fig. 1***



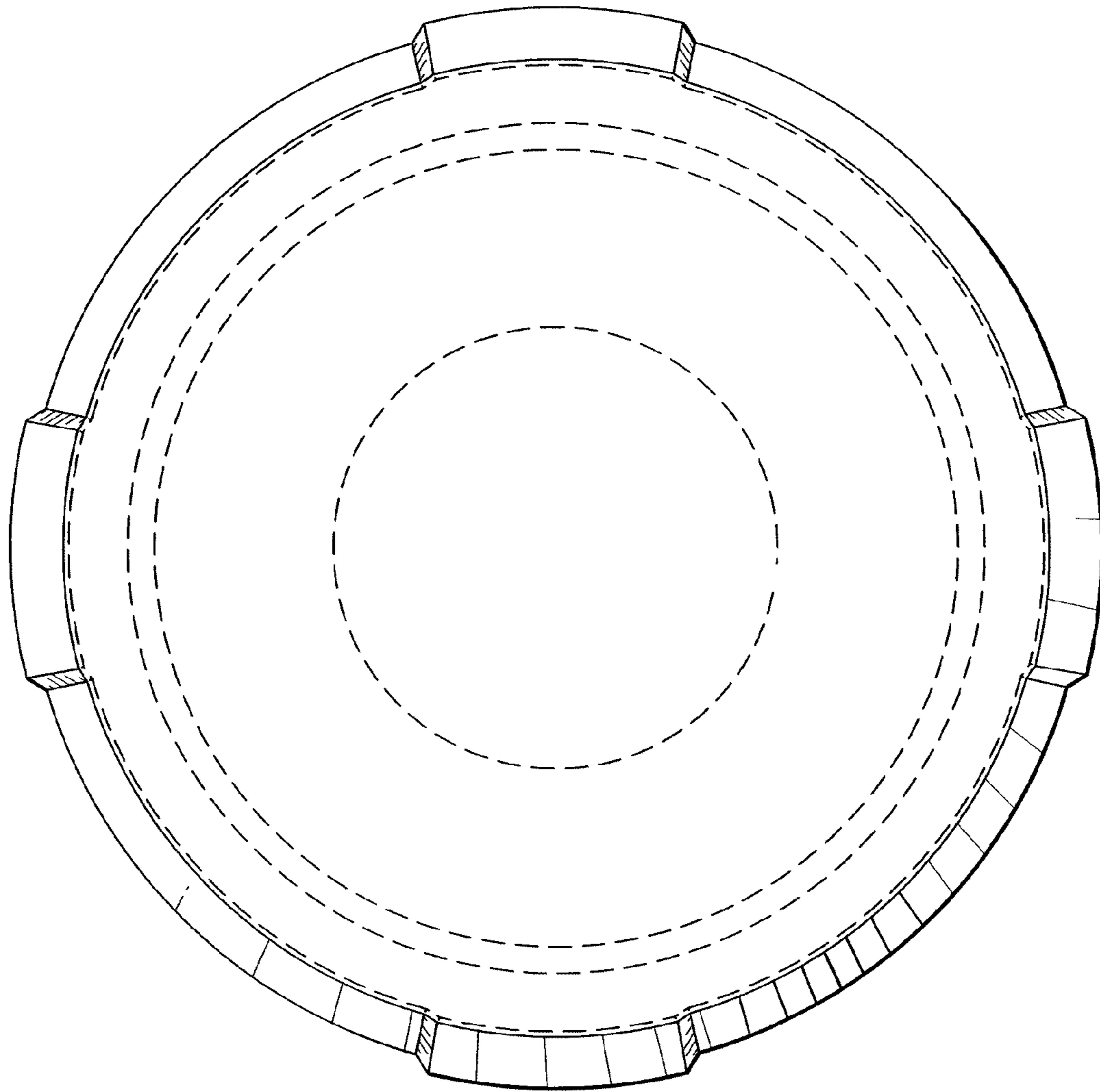
***Fig. 2***



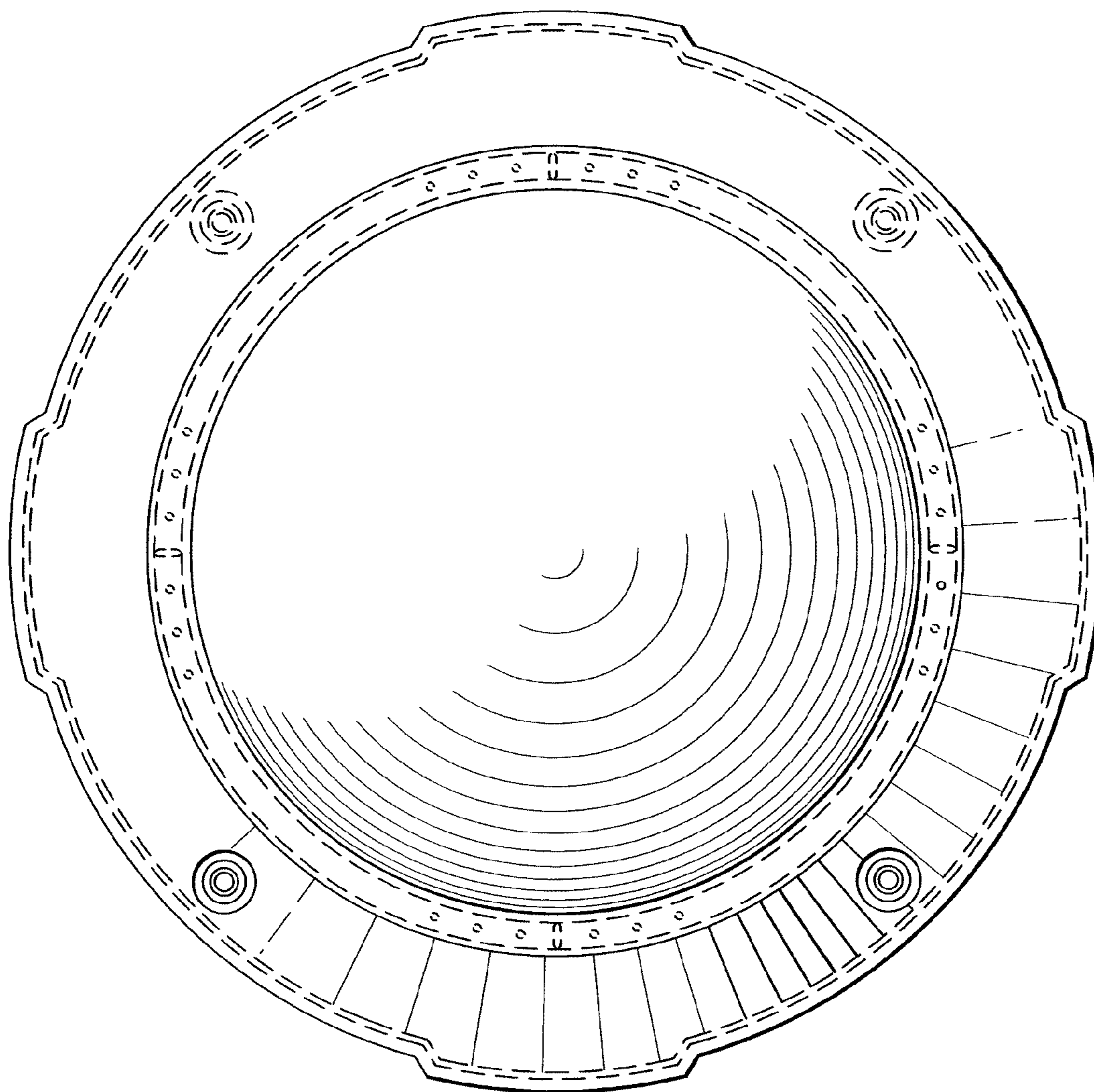
*Fig. 3*



*Fig. 4*



***Fig. 5***



***Fig. 6***