



US00D655327S

(12) **United States Design Patent**
Nojima et al.

(10) **Patent No.:** **US D655,327 S**
(45) **Date of Patent:** **** Mar. 6, 2012**

(54) **DIGITAL MICROSCOPE**

5,062,697 A * 11/1991 Mitchell 359/379
(Continued)

(75) Inventors: **Akira Nojima**, Tokyo (JP); **Tatsuya Uemachi**, Kanagawa pref. (JP)

Primary Examiner — Paula Greene

(73) Assignee: **Nikon Corporation** (JP)

(74) *Attorney, Agent, or Firm* — Schwegman, Lundberg & Woessner, P.A.

(**) Term: **14 Years**

(57) **CLAIM**

(21) Appl. No.: **29/373,072**

The ornamental design for a digital microscope, as shown and described.

(22) Filed: **Feb. 24, 2011**

DESCRIPTION

(30) **Foreign Application Priority Data**

Aug. 26, 2010 (JP) 2010-020610

FIG. 1 is a front perspective view of a digital microscope showing our new design;

(51) **LOC (9) Cl.** **16-06**

FIG. 2 is a front view thereof;

(52) **U.S. Cl.** **D16/136**

FIG. 3 is a top plan view thereof;

(58) **Field of Classification Search** D16/130,

FIG. 4 is a bottom plan view thereof;

D16/131, 206, 243, 202, 132, 136, 219, 218,

FIG. 5 is a right side view thereof;

D16/235, 245, 221; D14/132, 168; D24/146;

FIG. 6 is a cross-sectional view taken along line 6-6 in FIG. 2;

D8/68, 21, 354; D26/37, 49, 138; 248/187.1;

FIG. 7 is an enlarged view of the portion indicated by line 7-7 in FIG. 6; and,

359/363, 368, 369, 372, 383, 390, 385; D10/112

FIG. 8 is a perspective view showing the article attached to a support stand.

See application file for complete search history.

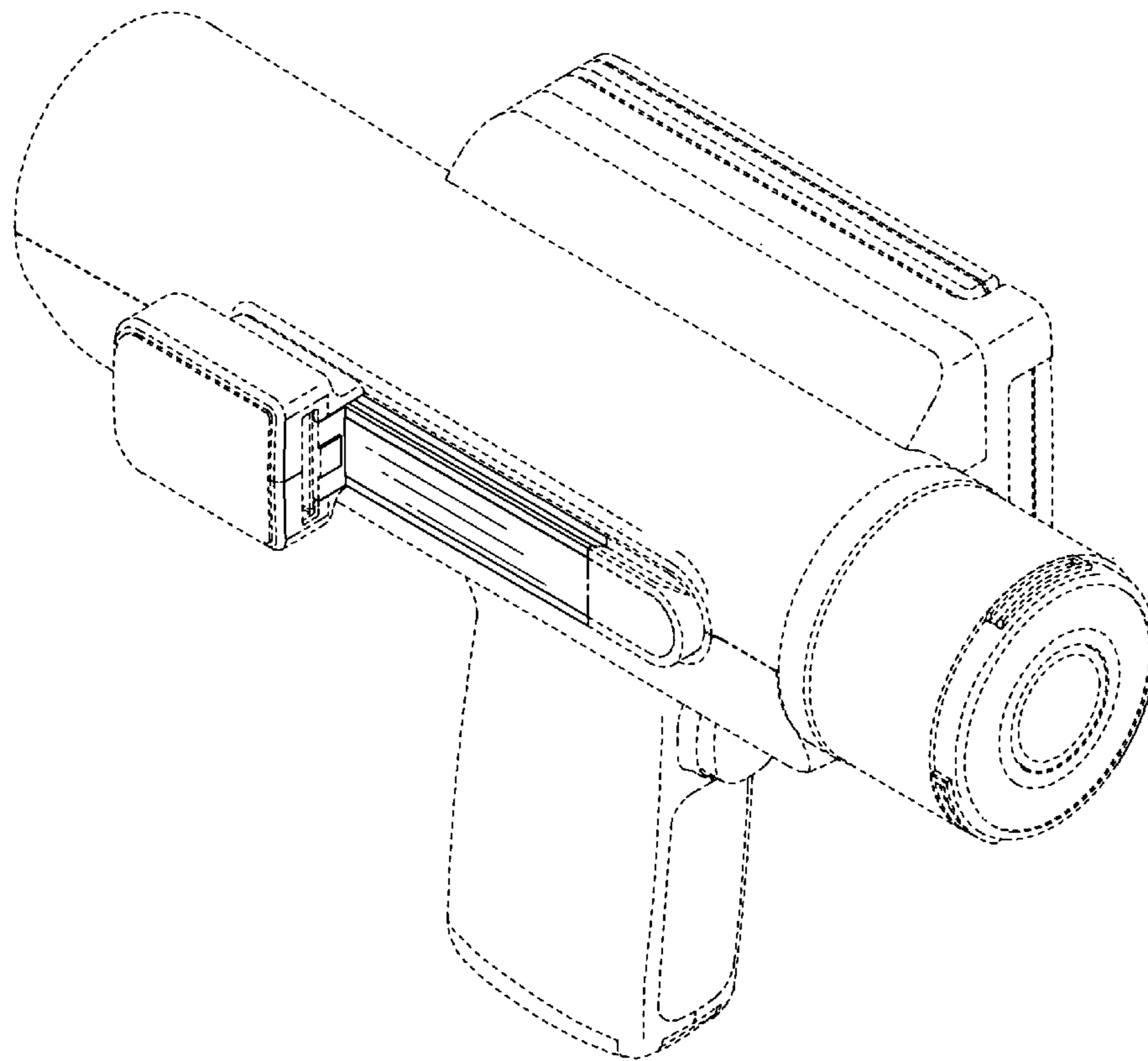
The features shown in broken lines in the drawings depict environmental subject matter only and form no part of the claimed design. The dot-dashed lines denote the boundary of the claim and form no part of the claimed design.

(56) **References Cited**

U.S. PATENT DOCUMENTS

2,614,471 A * 10/1952 Markowitz 396/422
D261,115 S * 10/1981 Greenlee et al. D10/112
4,447,030 A * 5/1984 Nattel 248/27.1

1 Claim, 8 Drawing Sheets



US D655,327 S

Page 2

U.S. PATENT DOCUMENTS

D329,092	S	*	9/1992	Carusillo et al.	D24/146
D361,078	S	*	8/1995	Atamian	D16/131
5,609,603	A	*	3/1997	Linden	606/177
D387,366	S	*	12/1997	Akabane et al.	D16/131
D395,664	S	*	6/1998	Nojima et al.	D16/131
6,147,797	A	*	11/2000	Lee	359/363
6,452,625	B1	*	9/2002	Kapitza	348/80
D478,986	S	*	8/2003	Johnston et al.	D24/133
D487,476	S	*	3/2004	Komatsu	D16/219
D509,235	S	*	9/2005	Imai	D16/219
D523,883	S	*	6/2006	Distasio et al.	D16/131
7,092,626	B2	*	8/2006	Hirai	396/176
D543,834	S	*	6/2007	Worthy	D8/354
D550,746	S	*	9/2007	Inaba	D16/219
D557,311	S	*	12/2007	Hanafusa et al.	D16/219
D564,554	S	*	3/2008	Shih et al.	D16/131
D586,201	S	*	2/2009	Day	D8/354
D621,435	S	*	8/2010	Green et al.	D16/219

* cited by examiner

FIG. 1

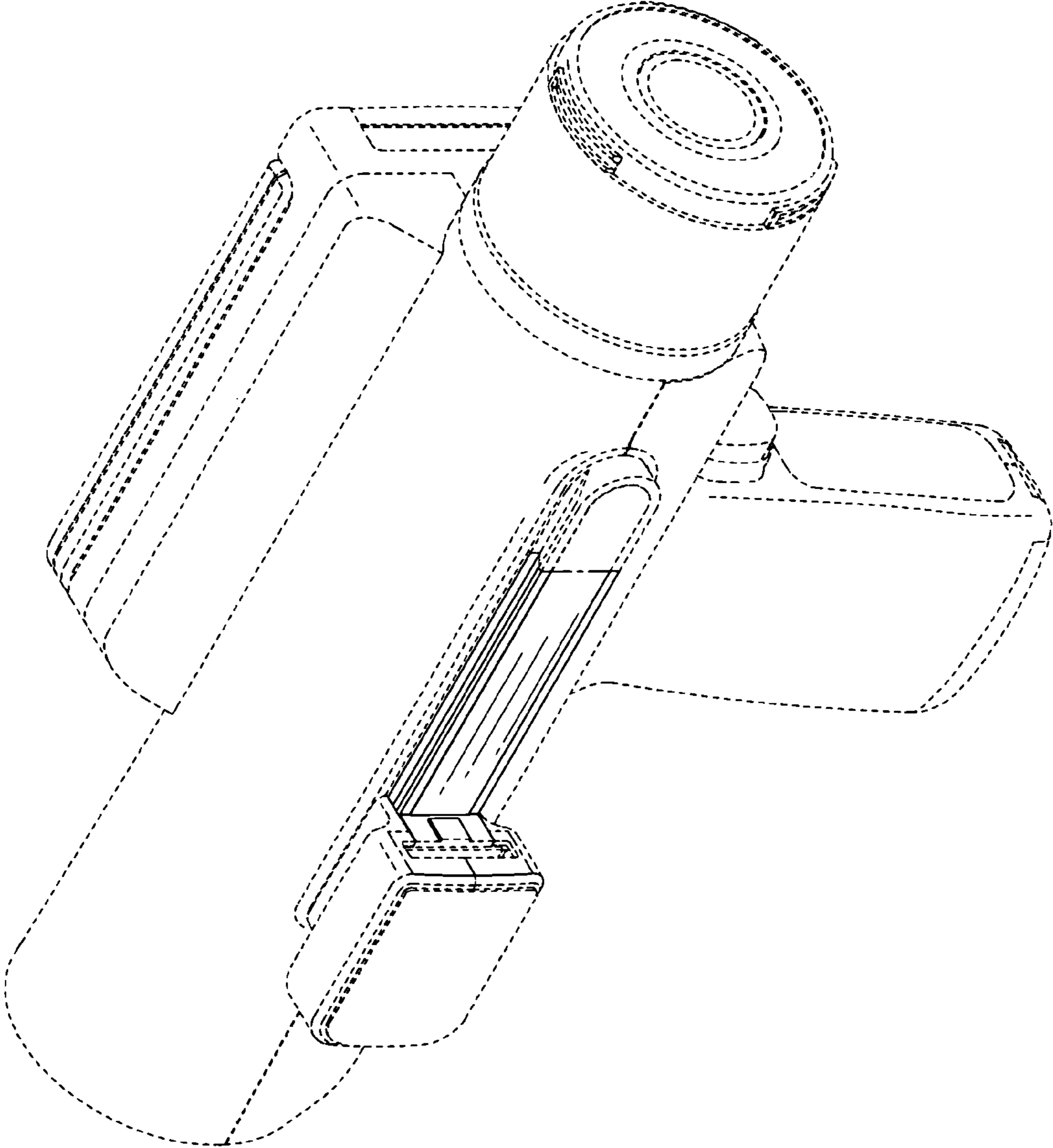


FIG. 2

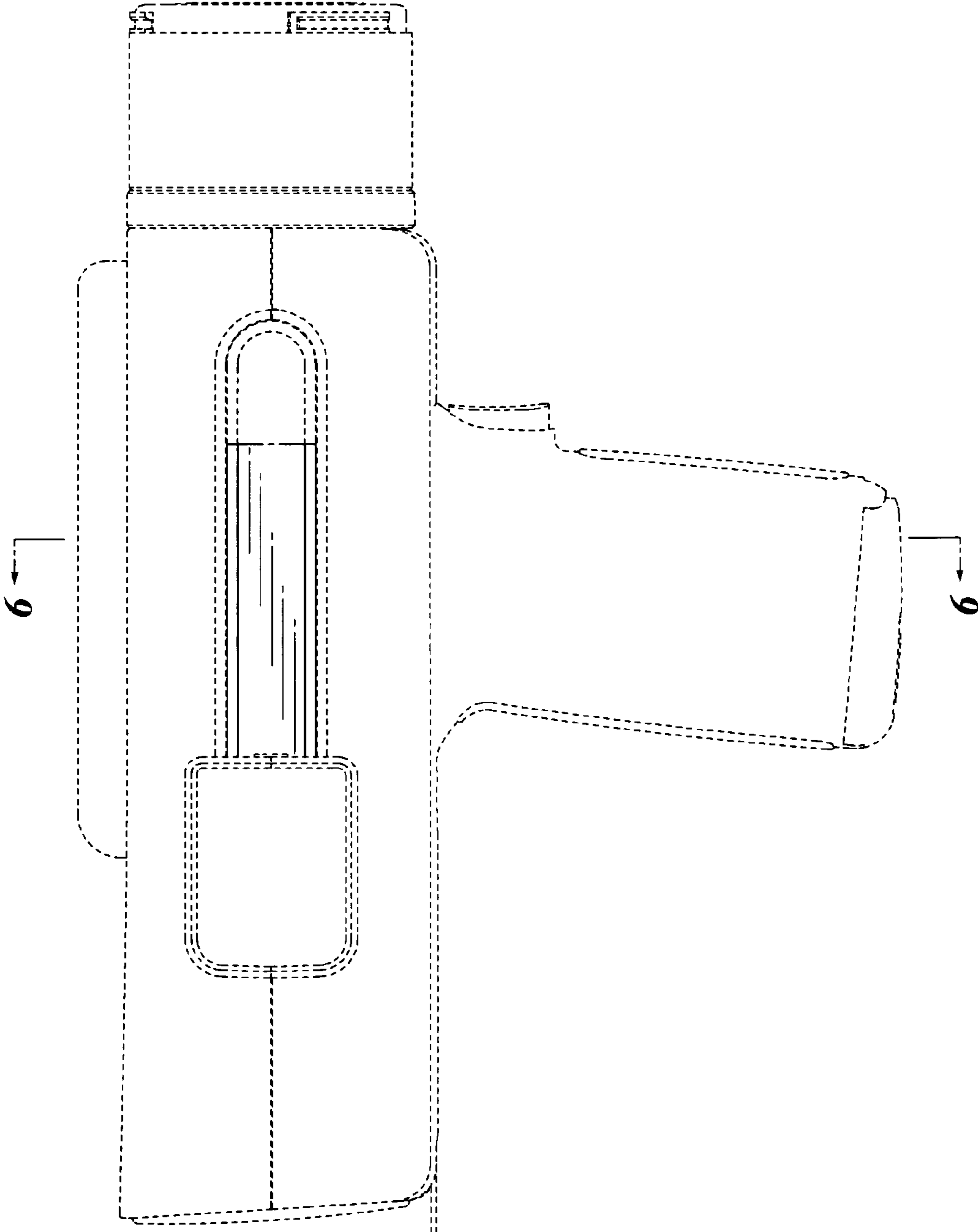


FIG. 3

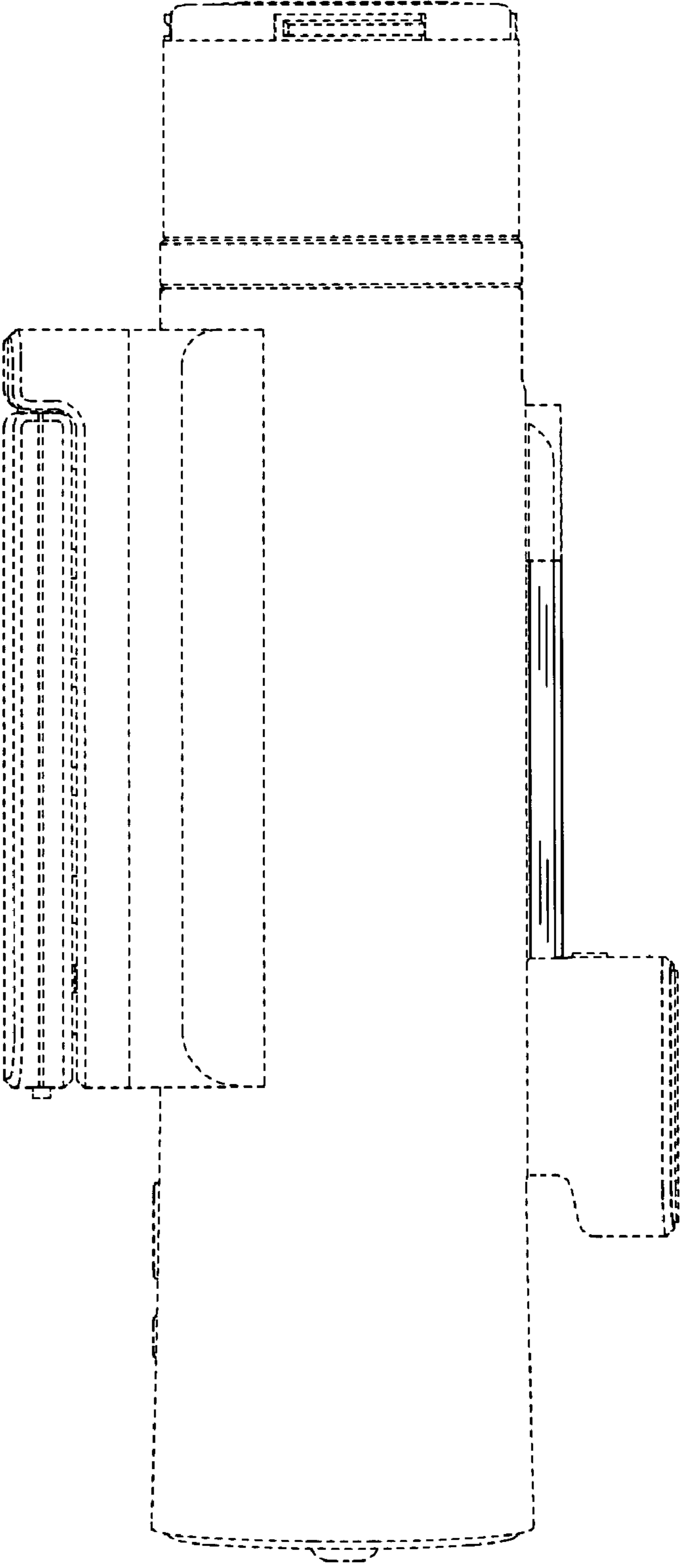


FIG. 4

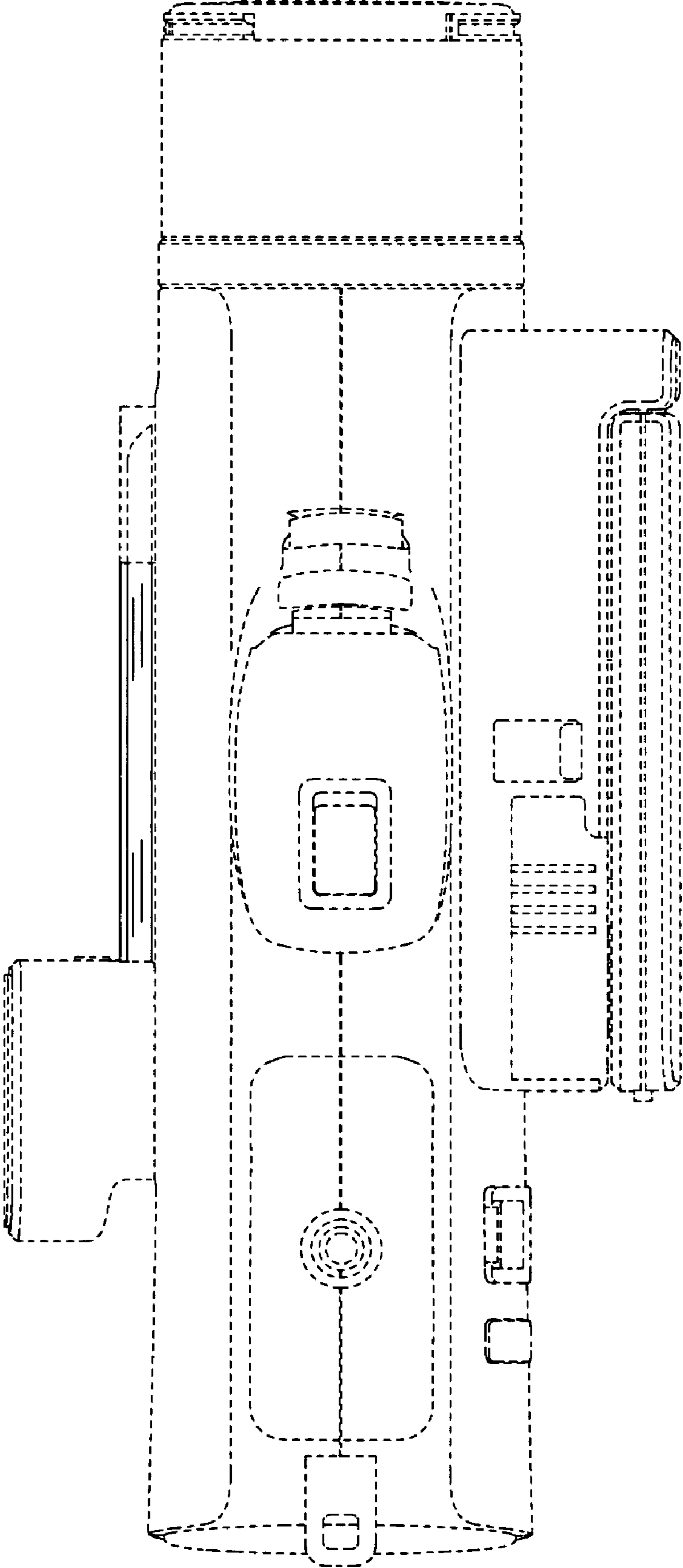


FIG. 5

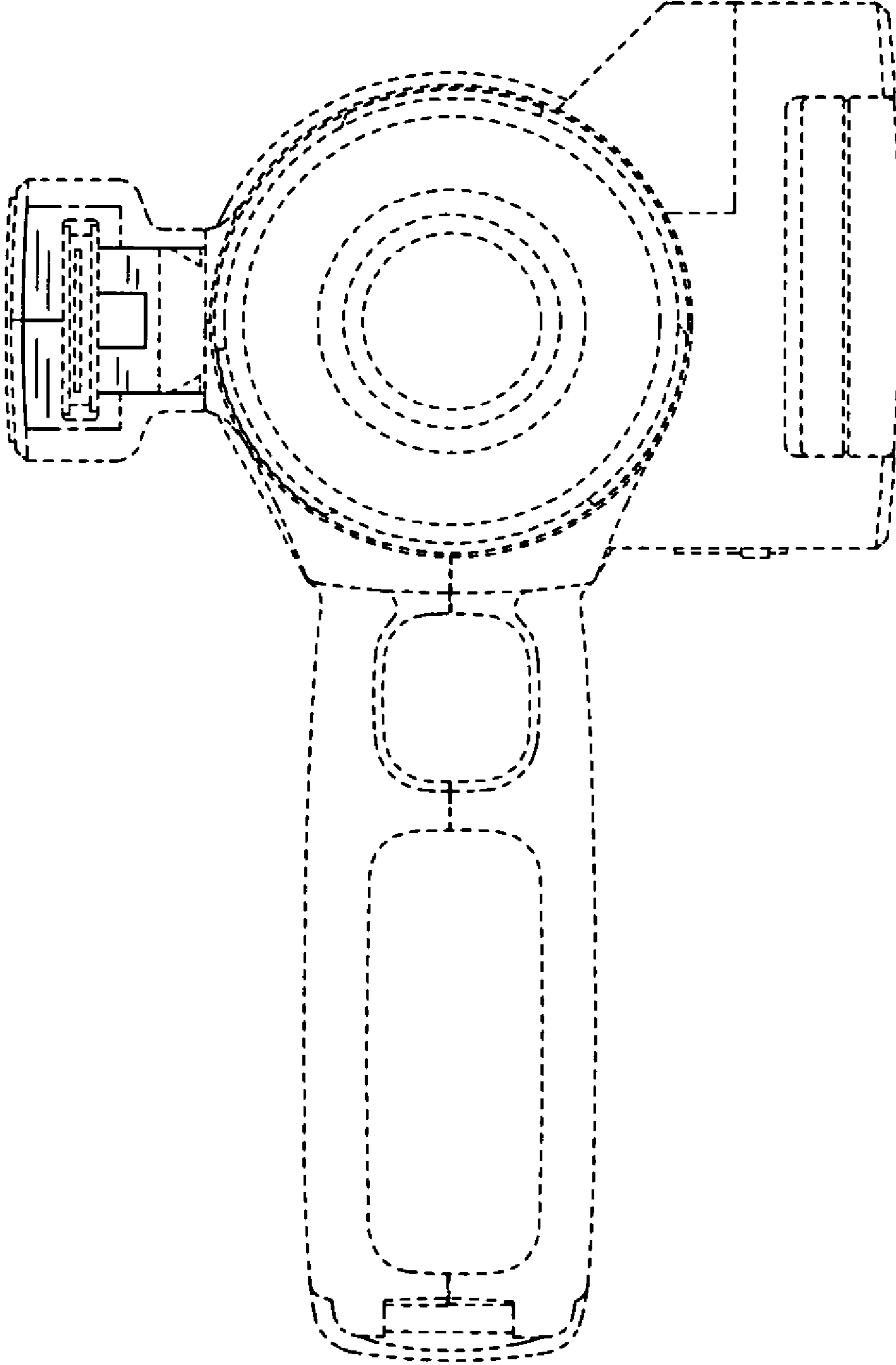


FIG. 6

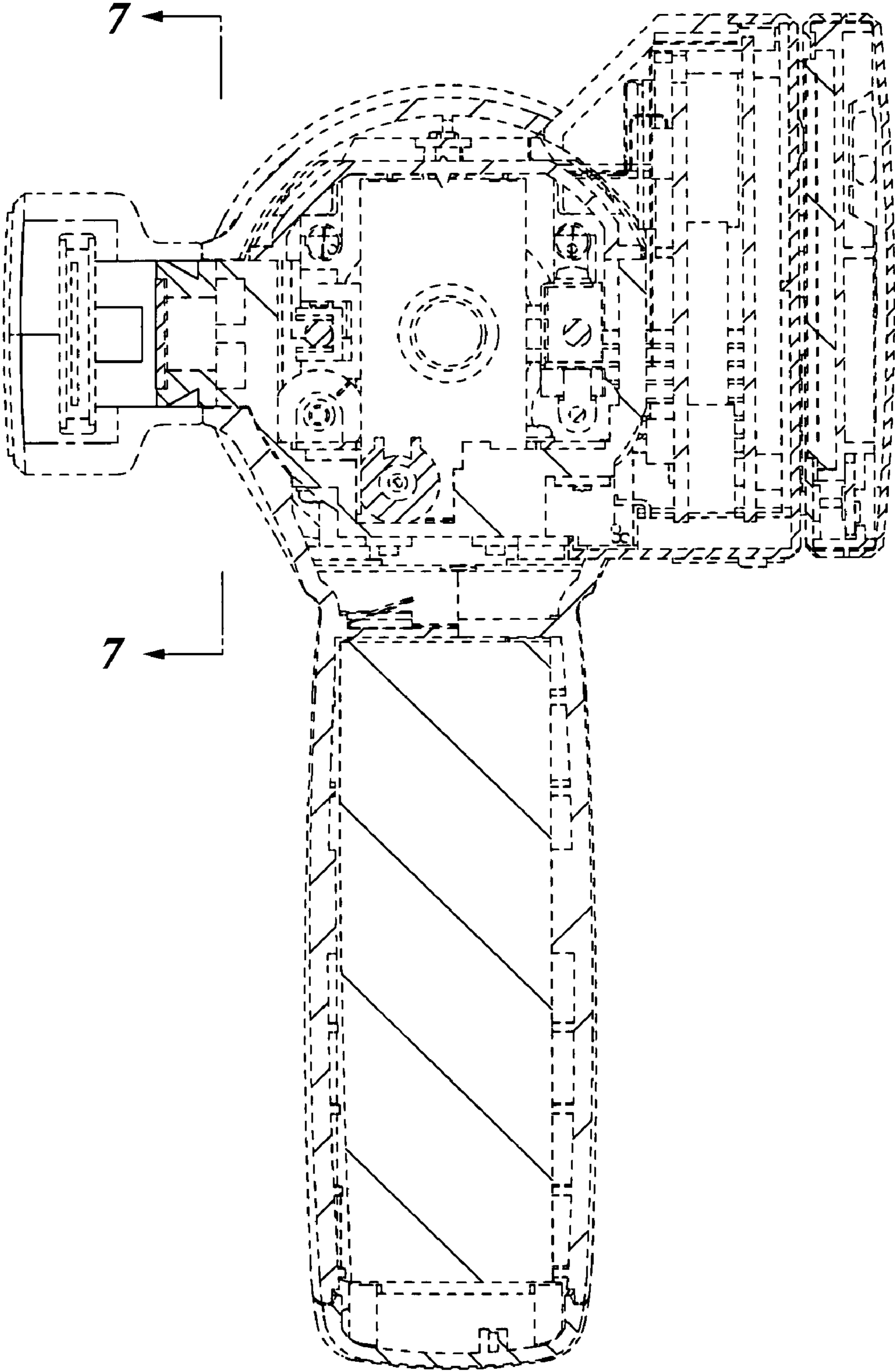


FIG. 7

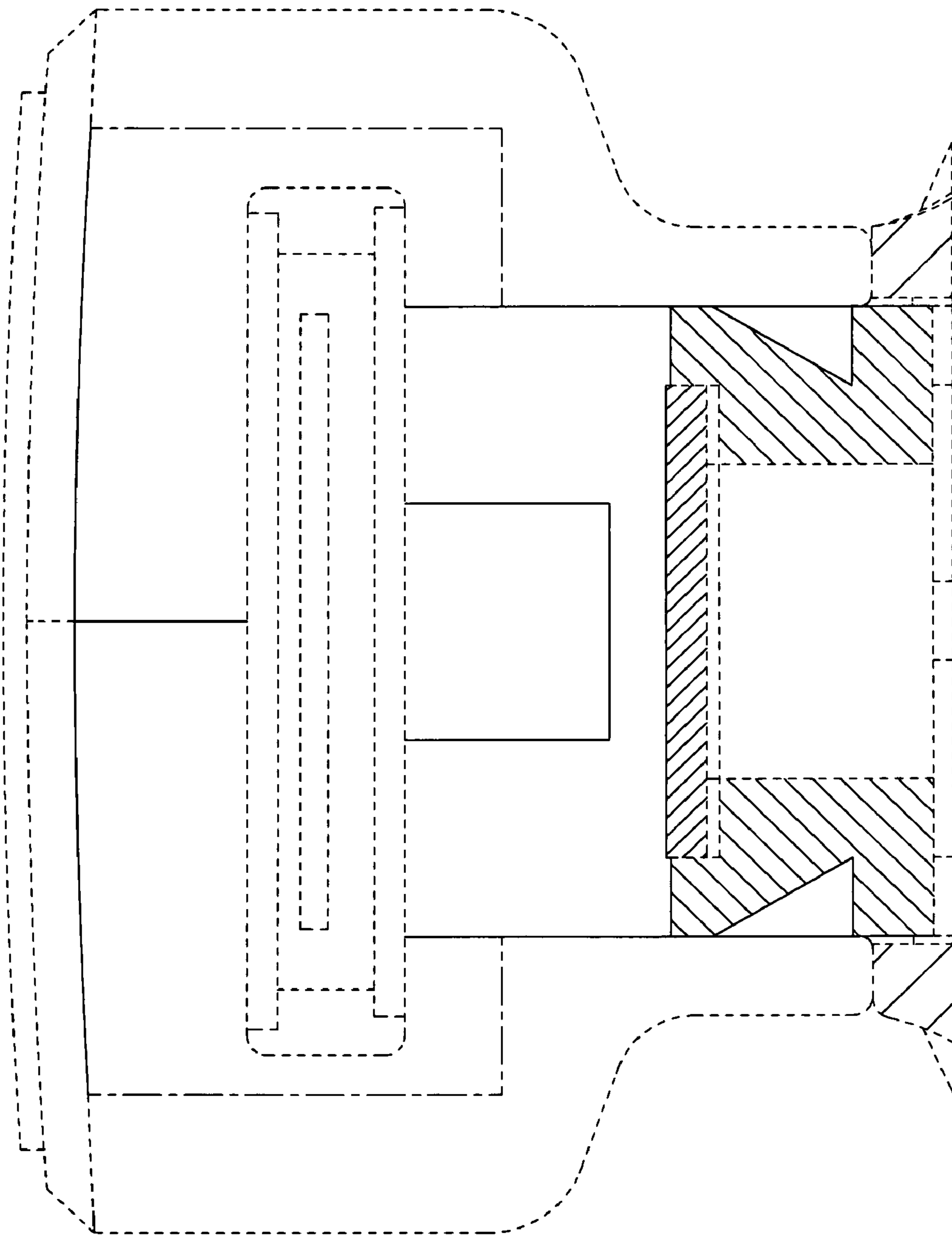


FIG. 8

