



US00D655326S

(12) **United States Design Patent**
Nojima et al.

(10) **Patent No.:** **US D655,326 S**
(45) **Date of Patent:** **** Mar. 6, 2012**

(54) **DIGITAL MICROSCOPE**

(75) Inventors: **Akira Nojima**, Tokyo (JP); **Tatsuya Uemachi**, Kanagawa pref. (JP)

(73) Assignee: **Nikon Corporation** (JP)

(**) Term: **14 Years**

(21) Appl. No.: **29/373,074**

(22) Filed: **Feb. 24, 2011**

(30) **Foreign Application Priority Data**

Aug. 26, 2010 (JP) 2010-020604

(51) **LOC (9) Cl.** **16-06**

(52) **U.S. Cl.** **D16/131**

(58) **Field of Classification Search** D16/130,
D16/131, 206, 132, 243; D14/132, 168;
D24/146; D8/68; D26/37, 49; 348/79, 80;
359/363, 368, 369, 372, 383, 390, 385
See application file for complete search history.

(56) **References Cited**

U.S. PATENT DOCUMENTS

5,062,697	A *	11/1991	Mitchell	359/379
D329,092	S *	9/1992	Carusillo et al.	D24/146
D361,078	S *	8/1995	Atamian	D16/131
5,609,603	A *	3/1997	Linden	606/177
D387,366	S *	12/1997	Akabane et al.	D16/131
D395,664	S *	6/1998	Nojima et al.	D16/131
6,147,797	A *	11/2000	Lee	359/363
6,452,625	B1 *	9/2002	Kapitza	348/80

D478,986	S *	8/2003	Johnston et al.	D24/133
D523,883	S *	6/2006	Distasio et al.	D16/131
7,092,626	B2 *	8/2006	Hirai	396/176
D564,554	S *	3/2008	Shih et al.	D16/131

* cited by examiner

Primary Examiner — Paula Greene

(74) *Attorney, Agent, or Firm* — Schwegman, Lundberg & Woessner, P.A.

(57) **CLAIM**

The ornamental design for a digital microscope, as shown and described.

DESCRIPTION

FIG. 1 is a front perspective view of a digital microscope showing our new design;
FIG. 2 is a rear perspective view thereof;
FIG. 3 is a front view thereof;
FIG. 4 is a rear view thereof;
FIG. 5 is a top plan view thereof;
FIG. 6 is a bottom plan view thereof;
FIG. 7 is a right side view thereof;
FIG. 8 is a left side view thereof; and,
FIG. 9 is a perspective view showing the article attached to a support stand.
The features shown in broken lines in the drawings depict environmental subject matter only and form no part of the claimed design.

1 Claim, 9 Drawing Sheets

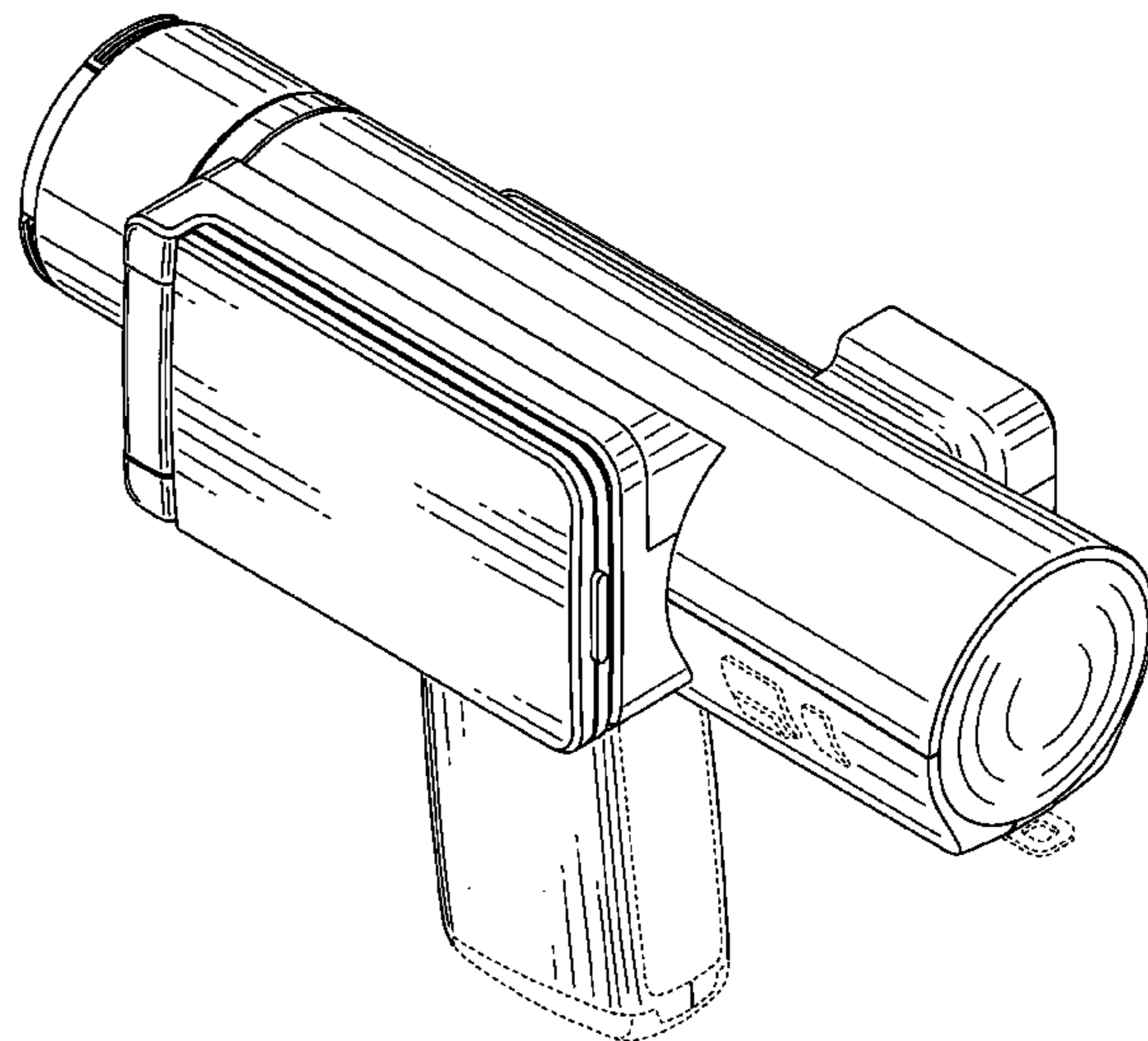
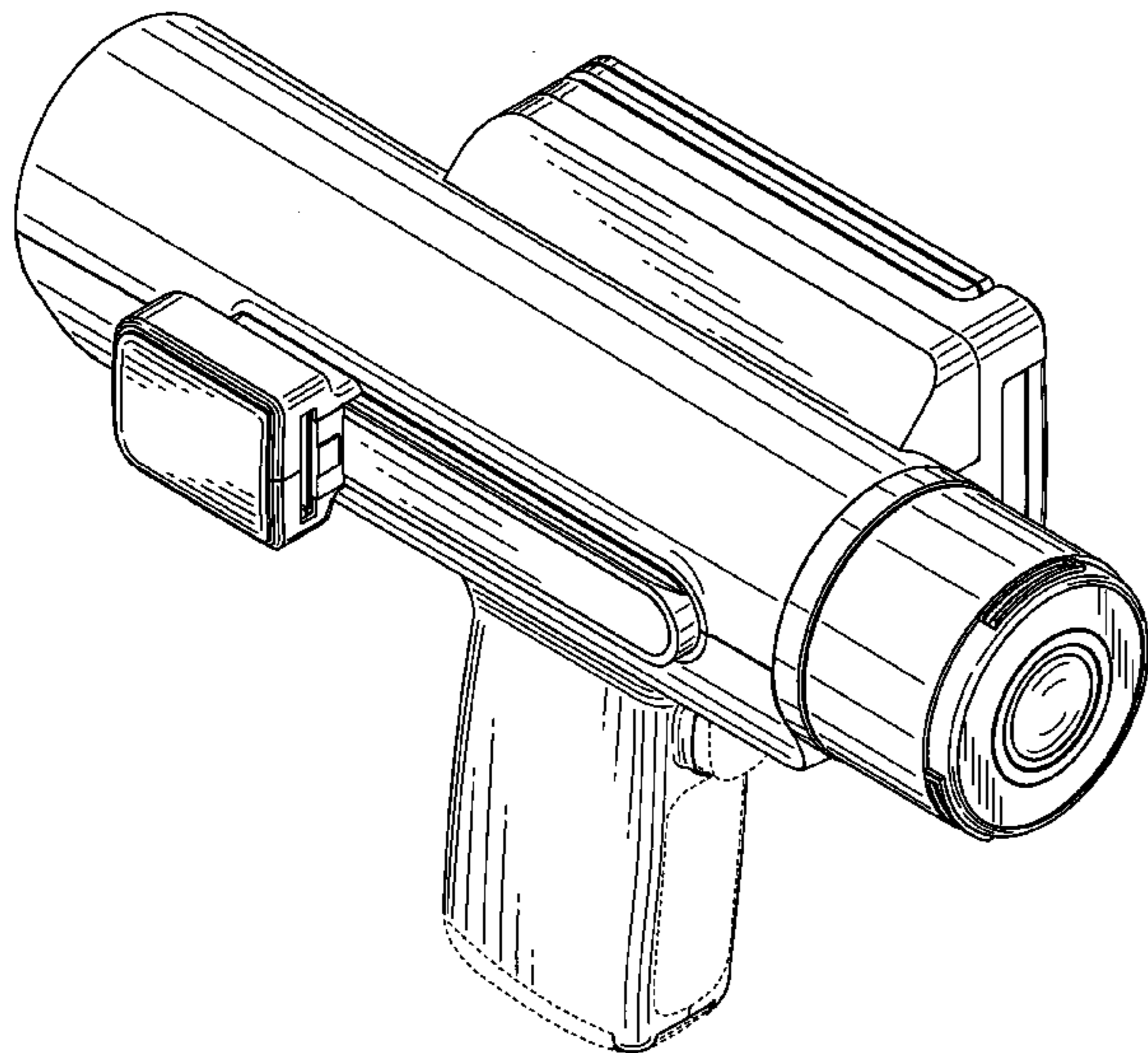


FIG. 1

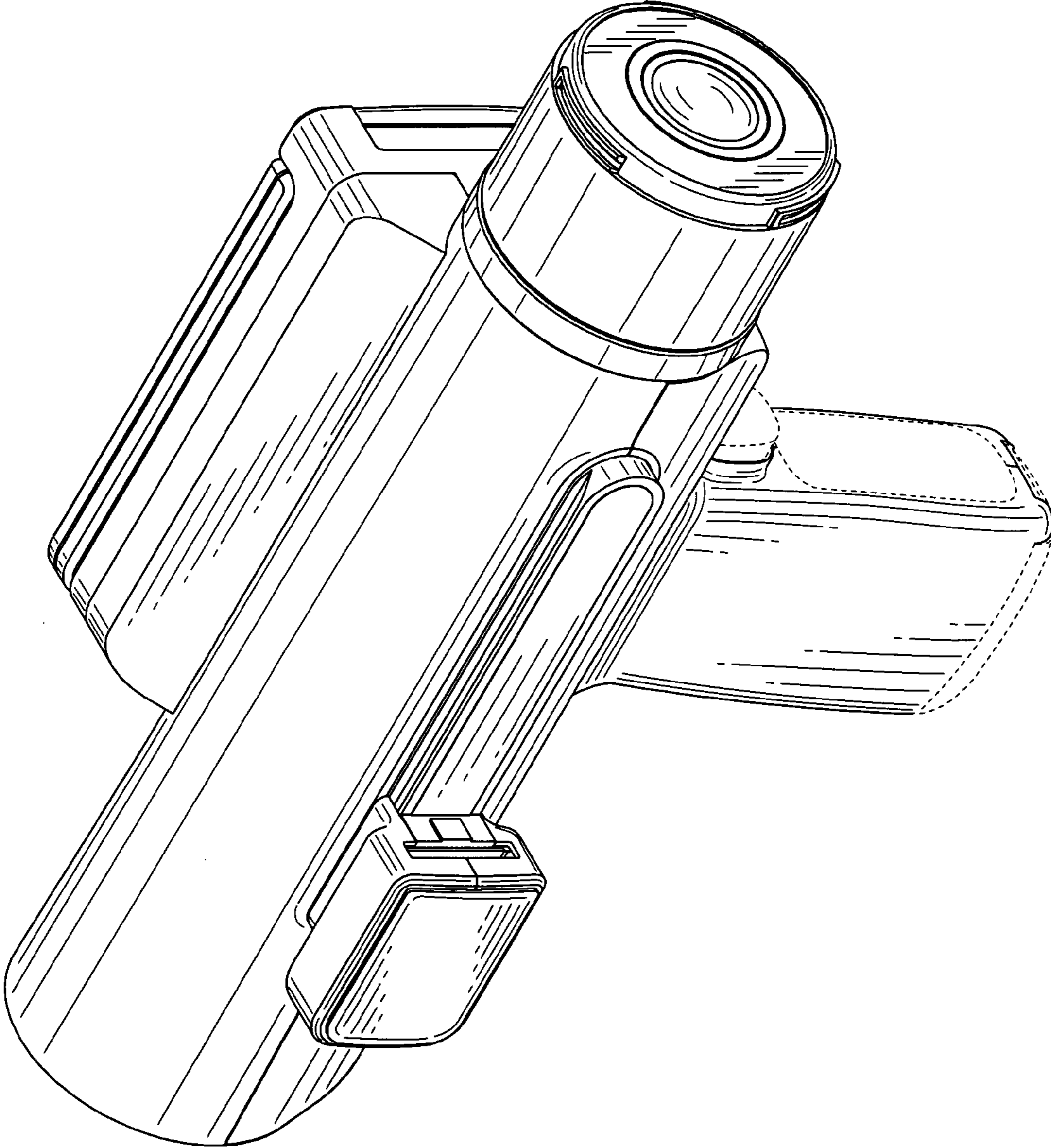


FIG. 2

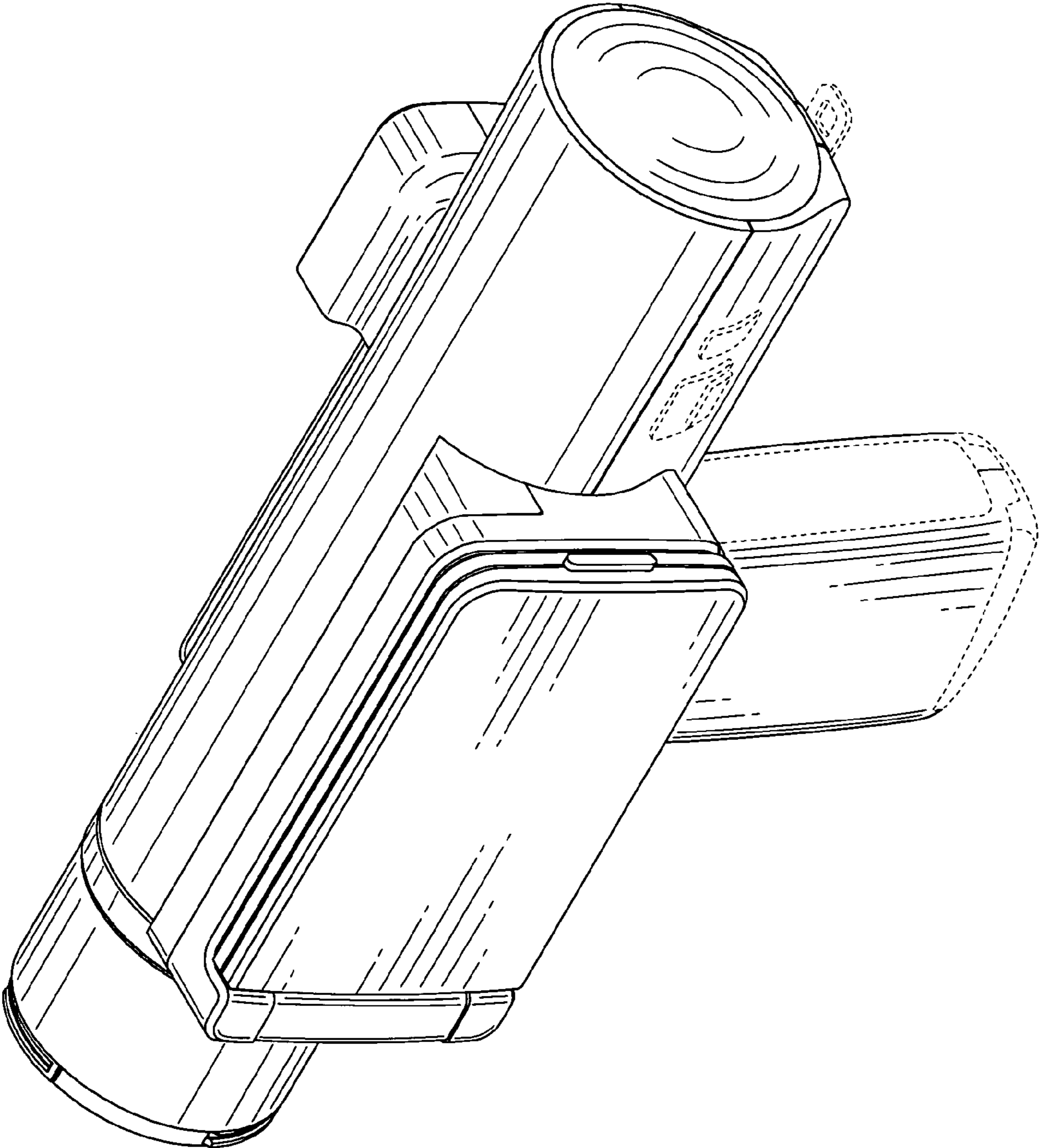


FIG. 3

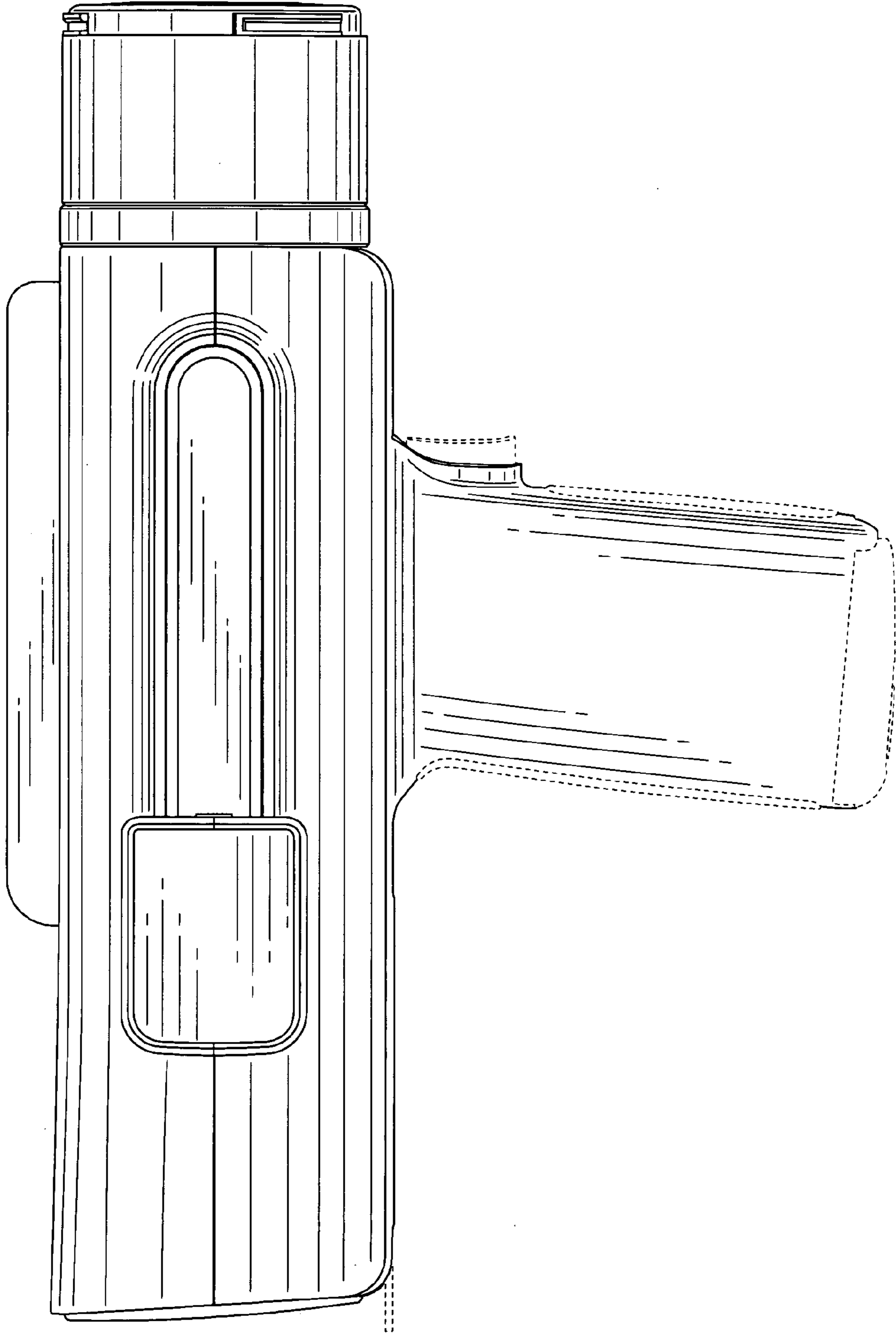


FIG. 4

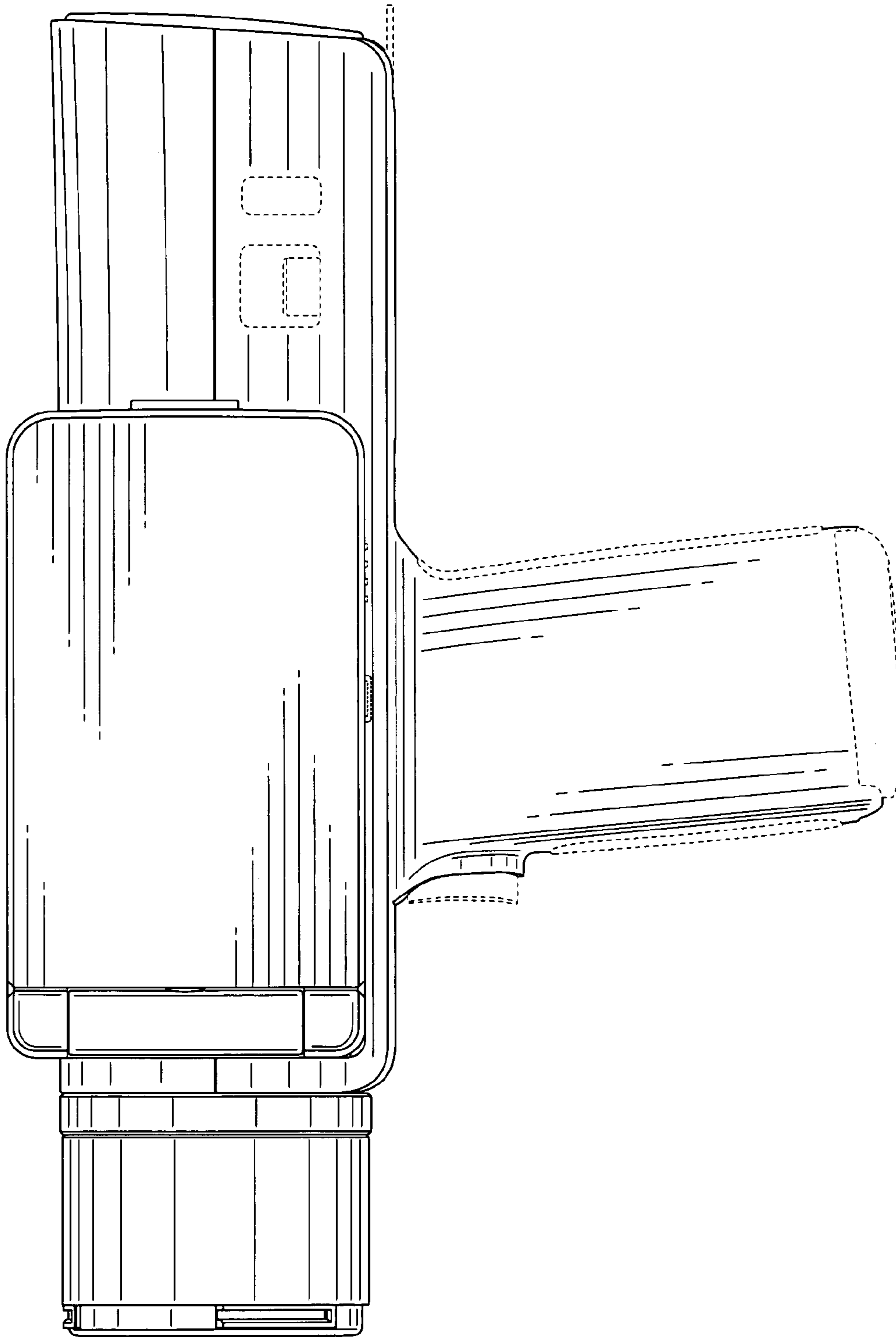


FIG. 5



FIG. 6

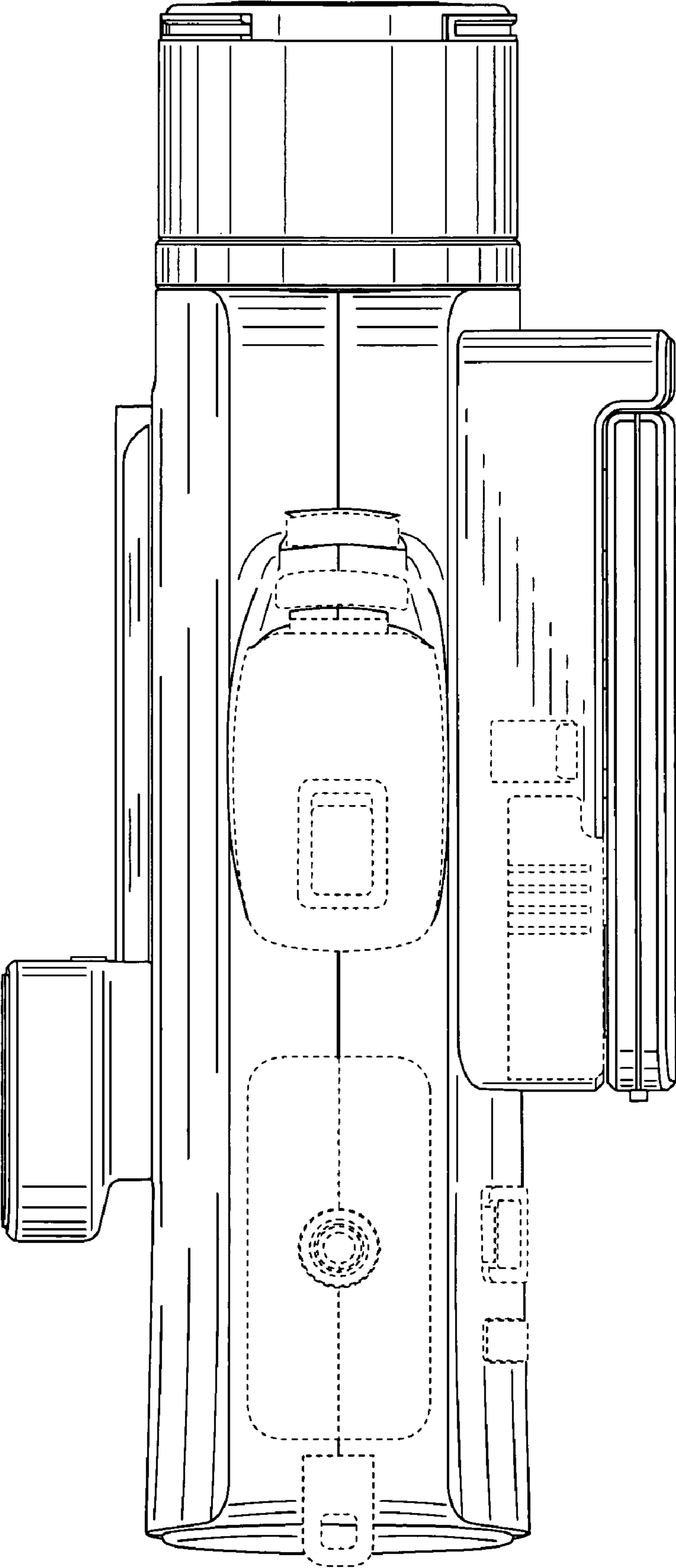


FIG. 7

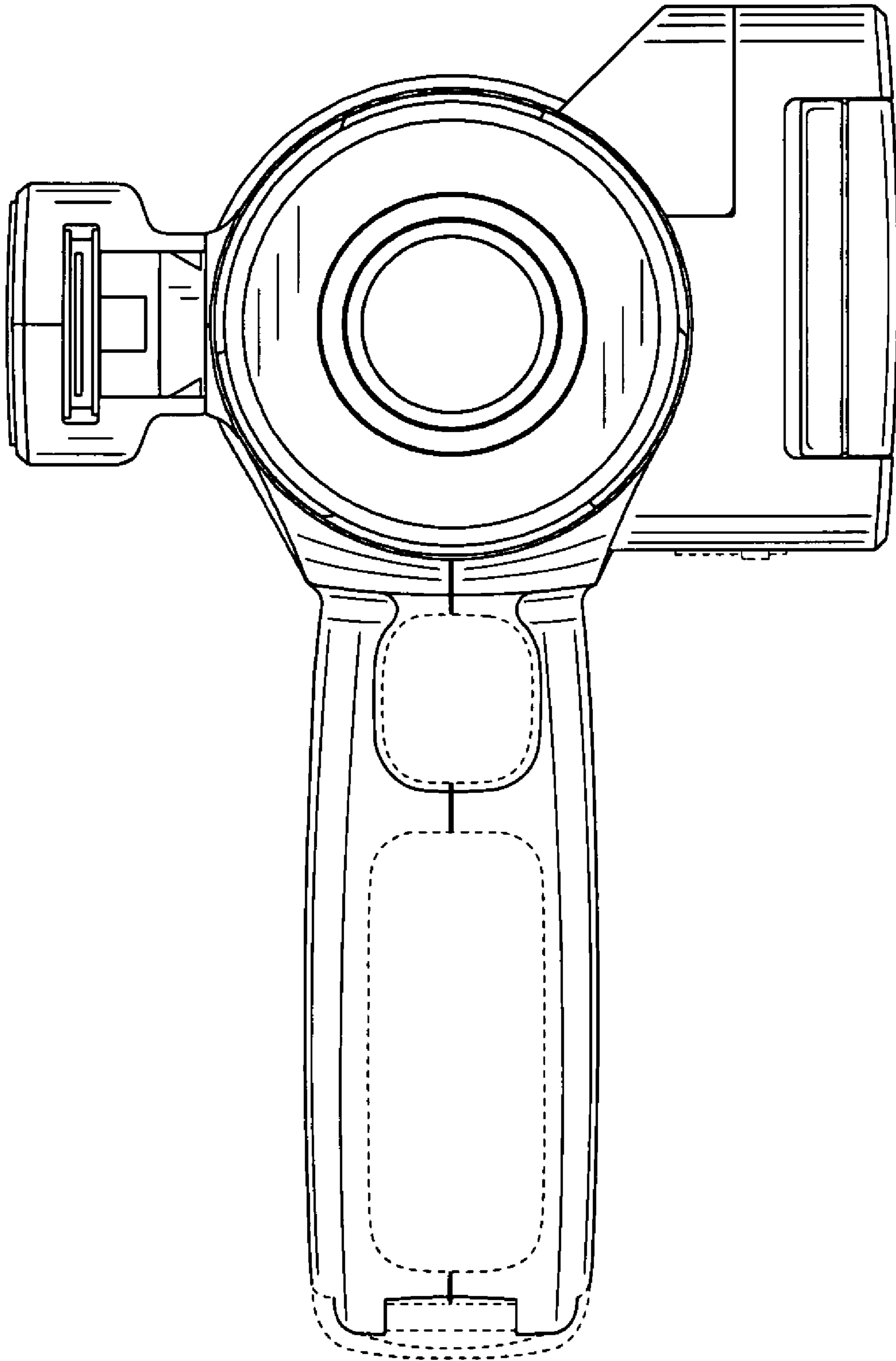


FIG. 8

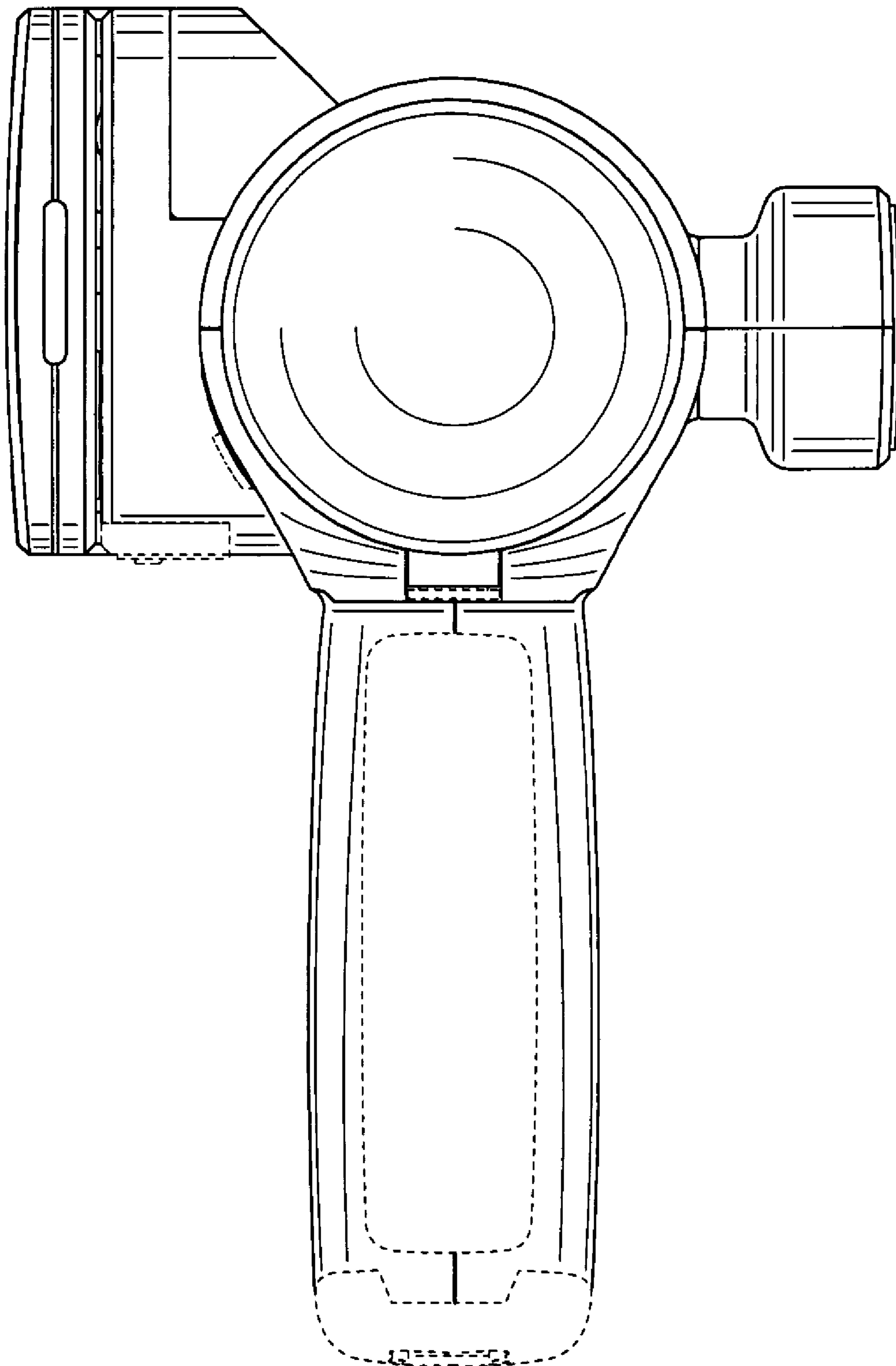


FIG. 9

