



US00D655325S

(12) **United States Design Patent**  
**Nojima et al.**

(10) **Patent No.:** **US D655,325 S**  
(45) **Date of Patent:** **\*\* Mar. 6, 2012**

(54) **DIGITAL MICROSCOPE**

(75) Inventors: **Akira Nojima**, Tokyo (JP); **Tatsuya Uemachi**, Kanagawa pref. (JP)

(73) Assignee: **Nikon Corporation** (JP)

(\*\*) Term: **14 Years**

(21) Appl. No.: **29/373,070**

(22) Filed: **Feb. 24, 2011**

(30) **Foreign Application Priority Data**

Aug. 26, 2010 (JP) ..... 2010-020613

(51) **LOC (9) Cl.** ..... **16-06**

(52) **U.S. Cl.** ..... **D16/131**

(58) **Field of Classification Search** ..... D16/130,  
D16/131, 206, 243, 132, 221, 202; D14/132,  
D14/168; D24/146; D8/68; D26/37, 49;  
348/79, 80; D10/112; 359/363, 368, 369,  
359/372, 383, 390, 385

See application file for complete search history.

(56) **References Cited**

U.S. PATENT DOCUMENTS

D261,115 S \* 10/1981 Greenlee et al. .... D10/112  
(Continued)

*Primary Examiner* — Paula Greene

(74) *Attorney, Agent, or Firm* — Schwegman, Lundberg & Woessner, P.A.

(57) **CLAIM**

The ornamental design for a digital microscope, as shown and described.

**DESCRIPTION**

FIG. 1 is a front perspective view of a digital microscope showing our new design;

FIG. 2 is a rear perspective view thereof;

FIG. 3 is a front view thereof;

FIG. 4 is a rear view thereof;

FIG. 5 is a top plan view thereof;

FIG. 6 is a bottom plan view thereof;

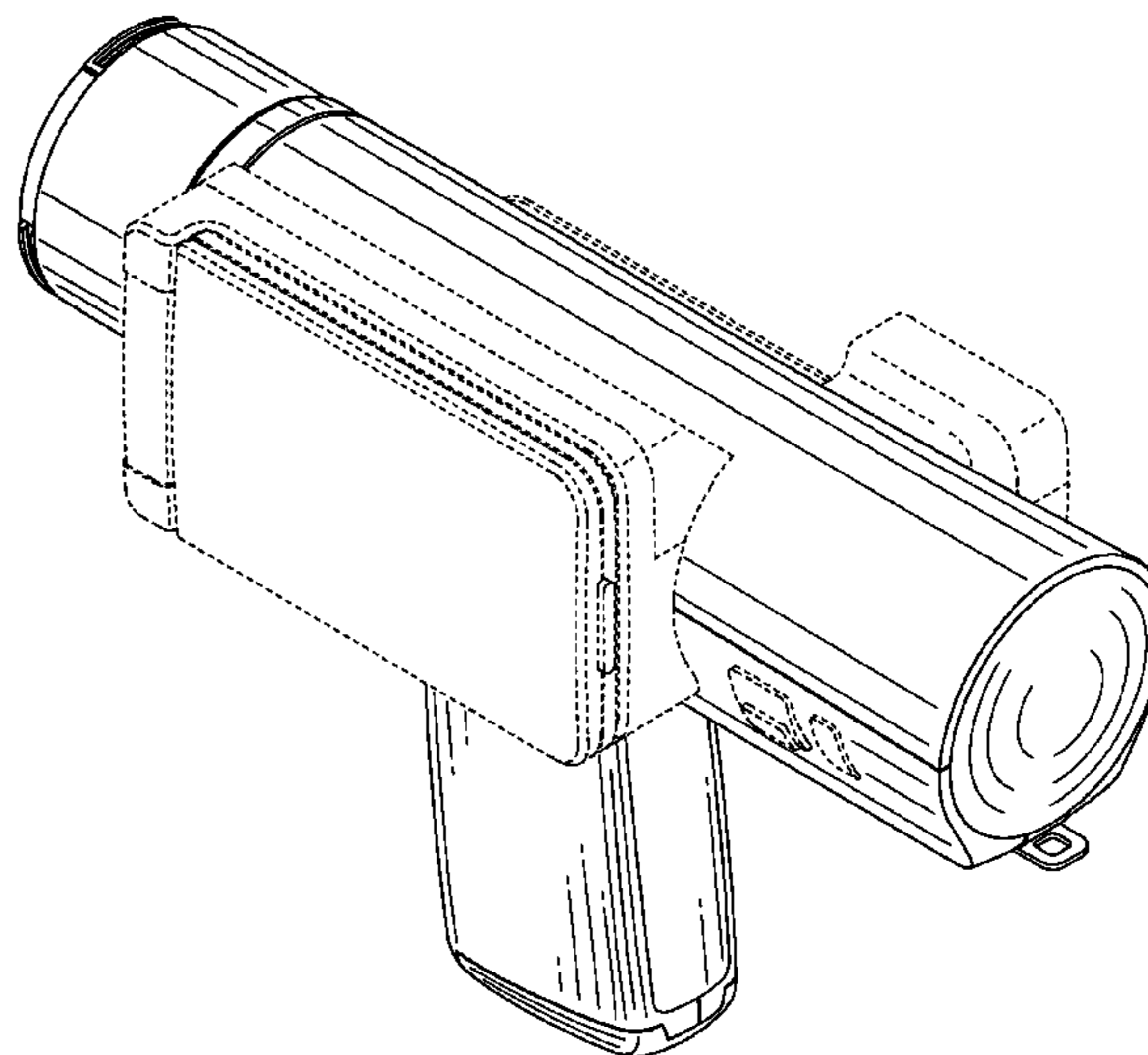
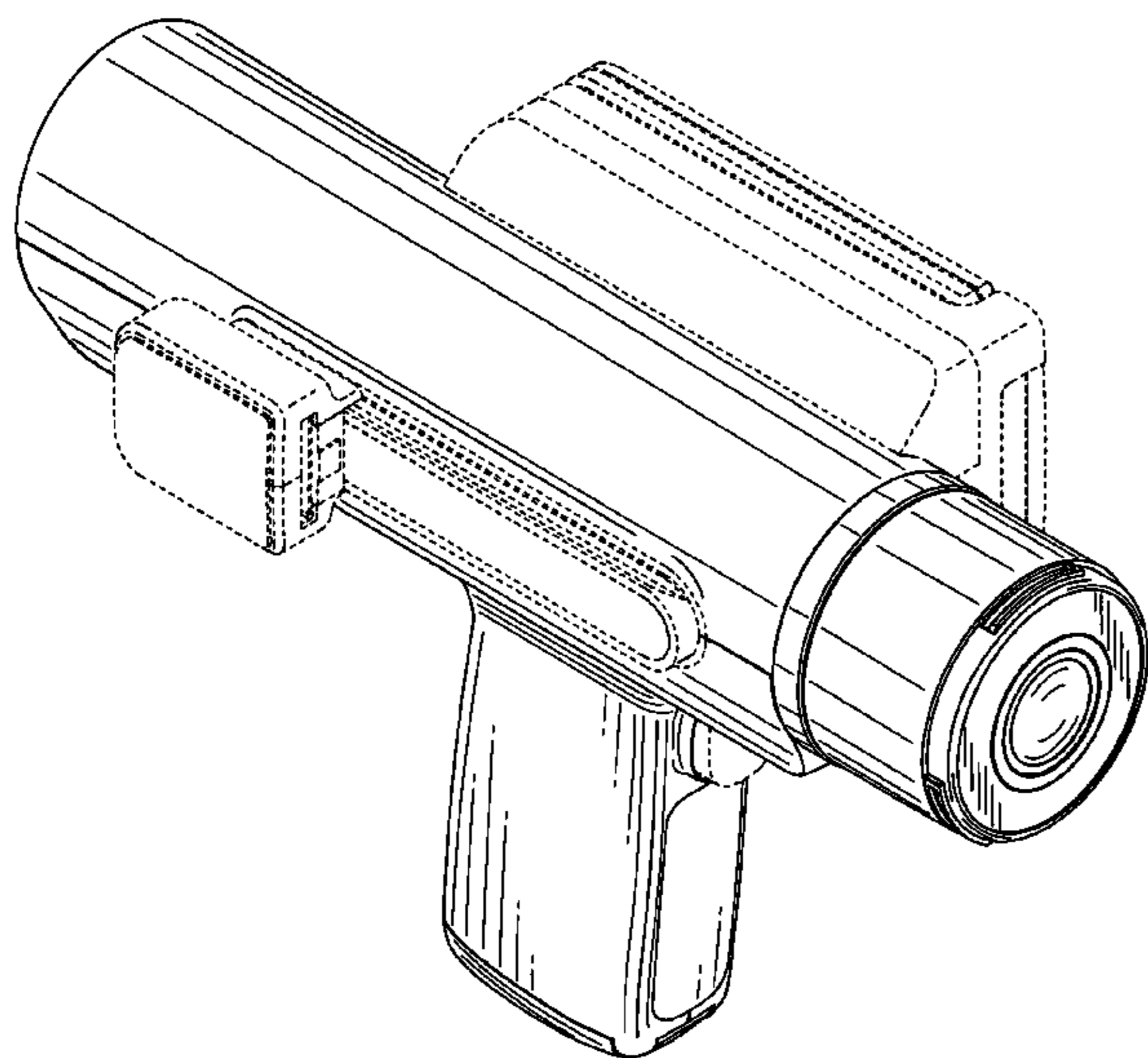
FIG. 7 is a right side view thereof;

FIG. 8 is a left side view thereof; and,

FIG. 9 is a perspective view showing the article attached to a support stand.

The features shown in broken lines in the drawings depict environmental subject matter only and form no part of the claimed design.

**1 Claim, 9 Drawing Sheets**



# US D655,325 S

Page 2

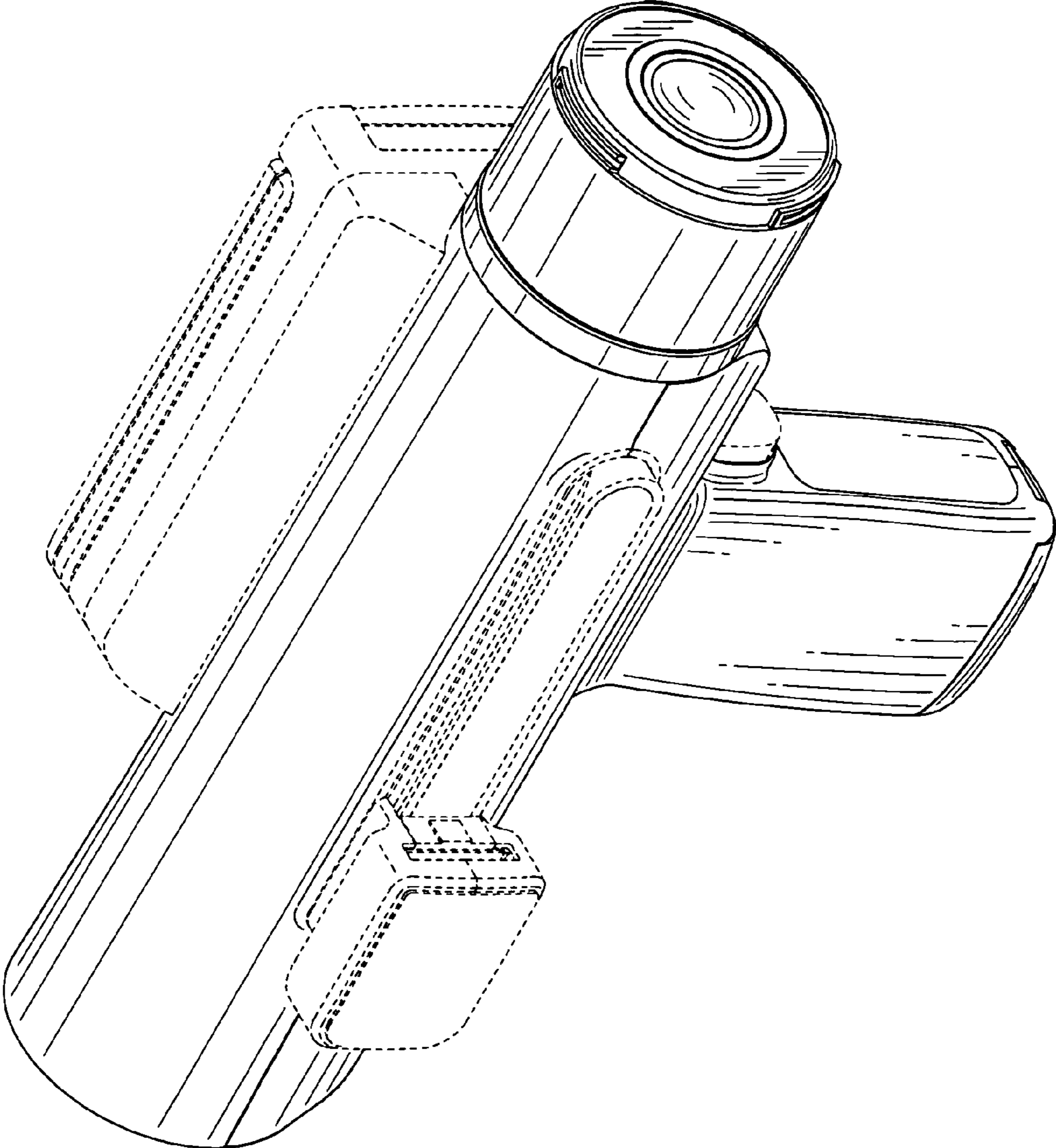
---

## U.S. PATENT DOCUMENTS

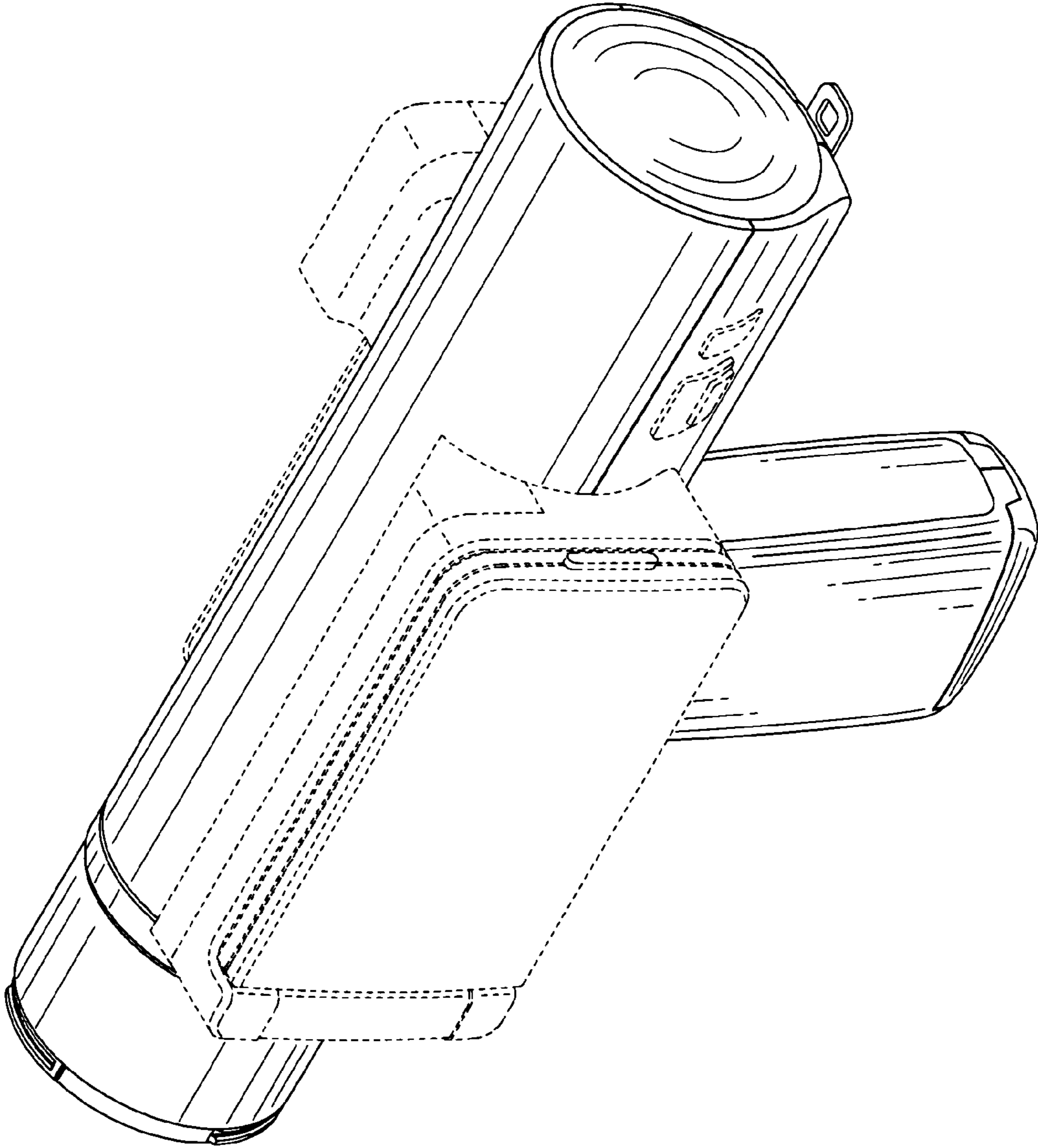
5,062,697	A *	11/1991	Mitchell	359/379	6,452,625	B1 *	9/2002	Kapitza	348/80
D329,092	S *	9/1992	Carusillo et al.	D24/146	D478,986	S *	8/2003	Johnston et al.	D24/133
D361,078	S *	8/1995	Atamian	D16/131	D523,883	S *	6/2006	Distasio et al.	D16/131
5,609,603	A *	3/1997	Linden	606/177	7,092,626	B2 *	8/2006	Hirai	396/176
D387,366	S *	12/1997	Akabane et al.	D16/131	D564,554	S *	3/2008	Shih et al.	D16/131
D395,664	S *	6/1998	Nojima et al.	D16/131	D621,435	S *	8/2010	Green et al.	D16/219
6,147,797	A *	11/2000	Lee	359/363					

\* cited by examiner

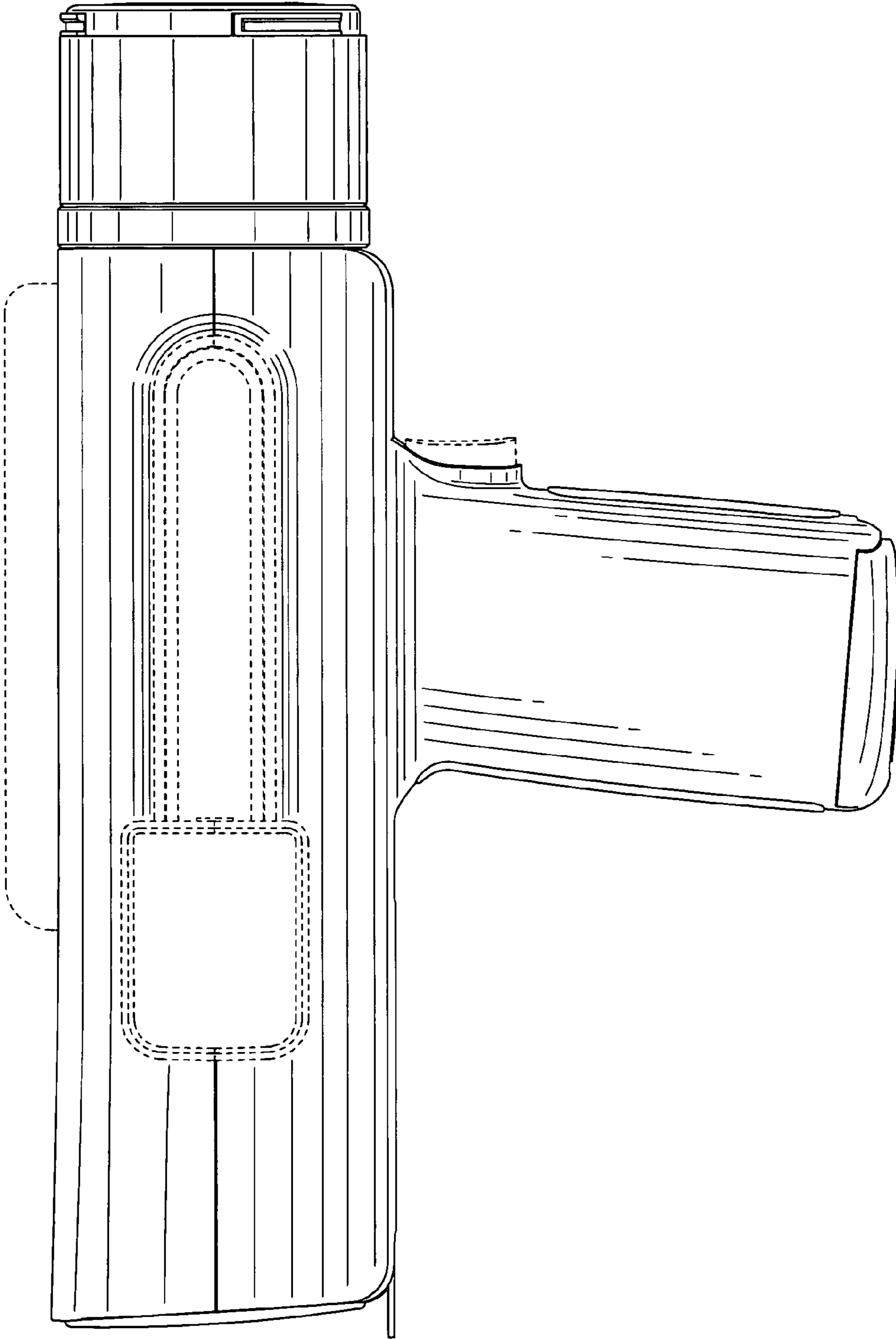
*FIG. 1*



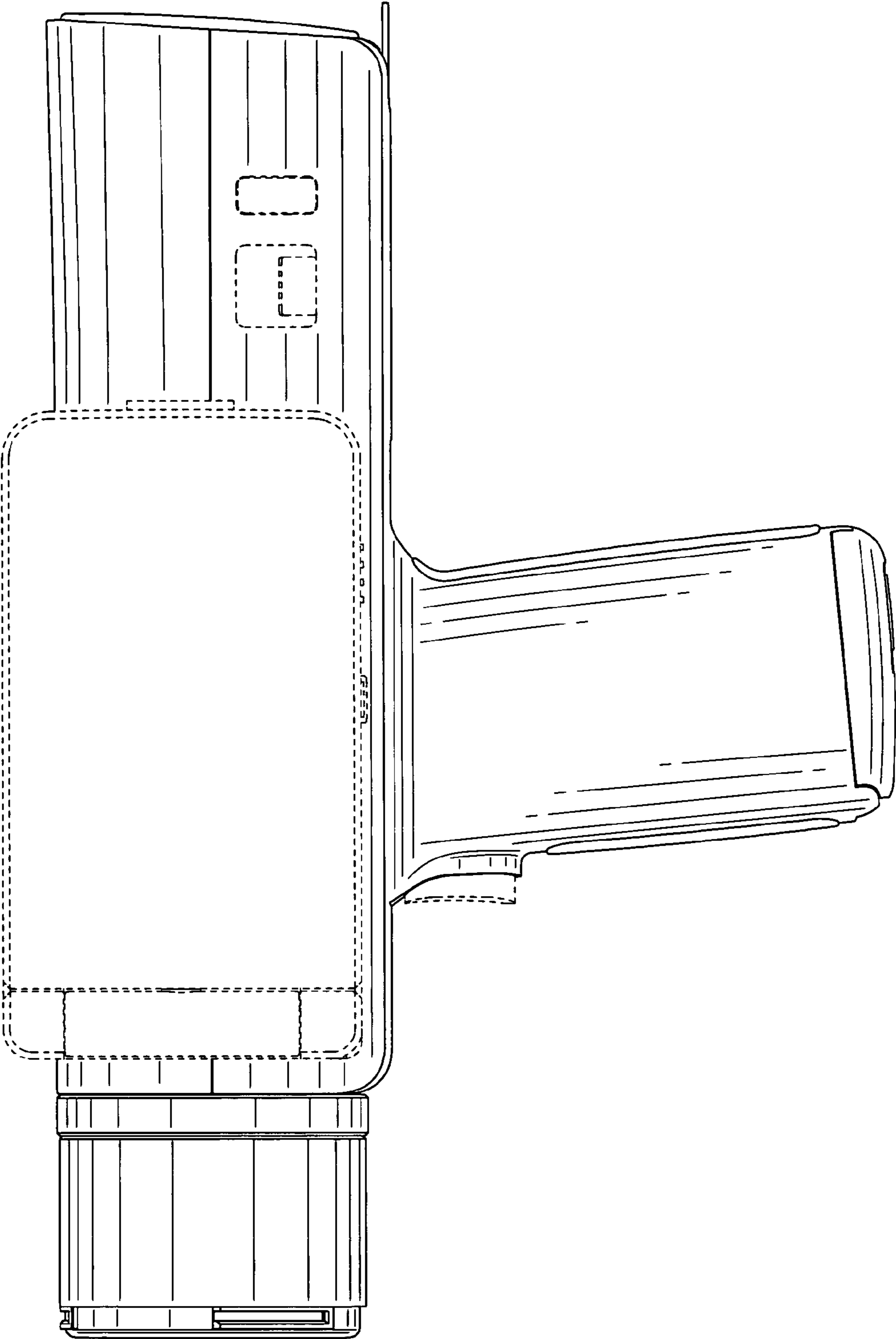
**FIG. 2**



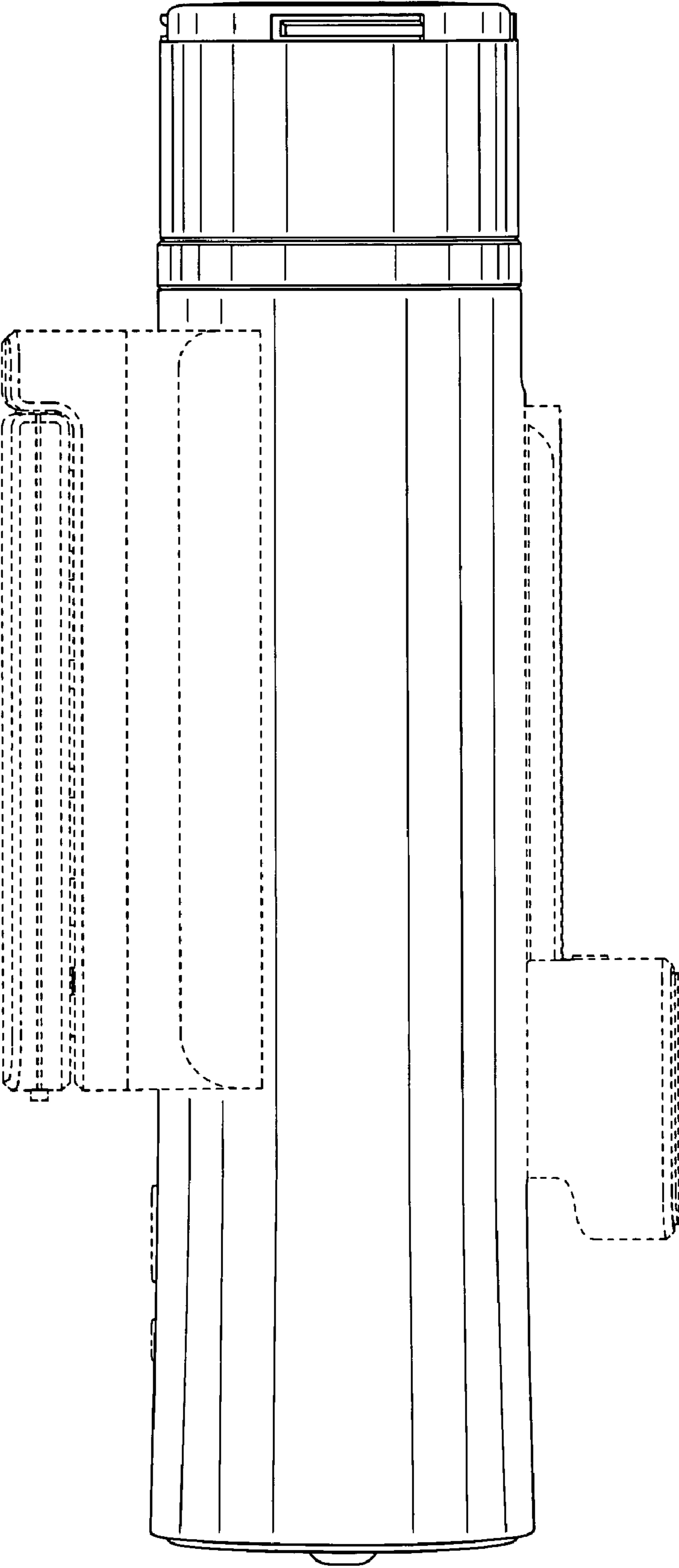
**FIG. 3**



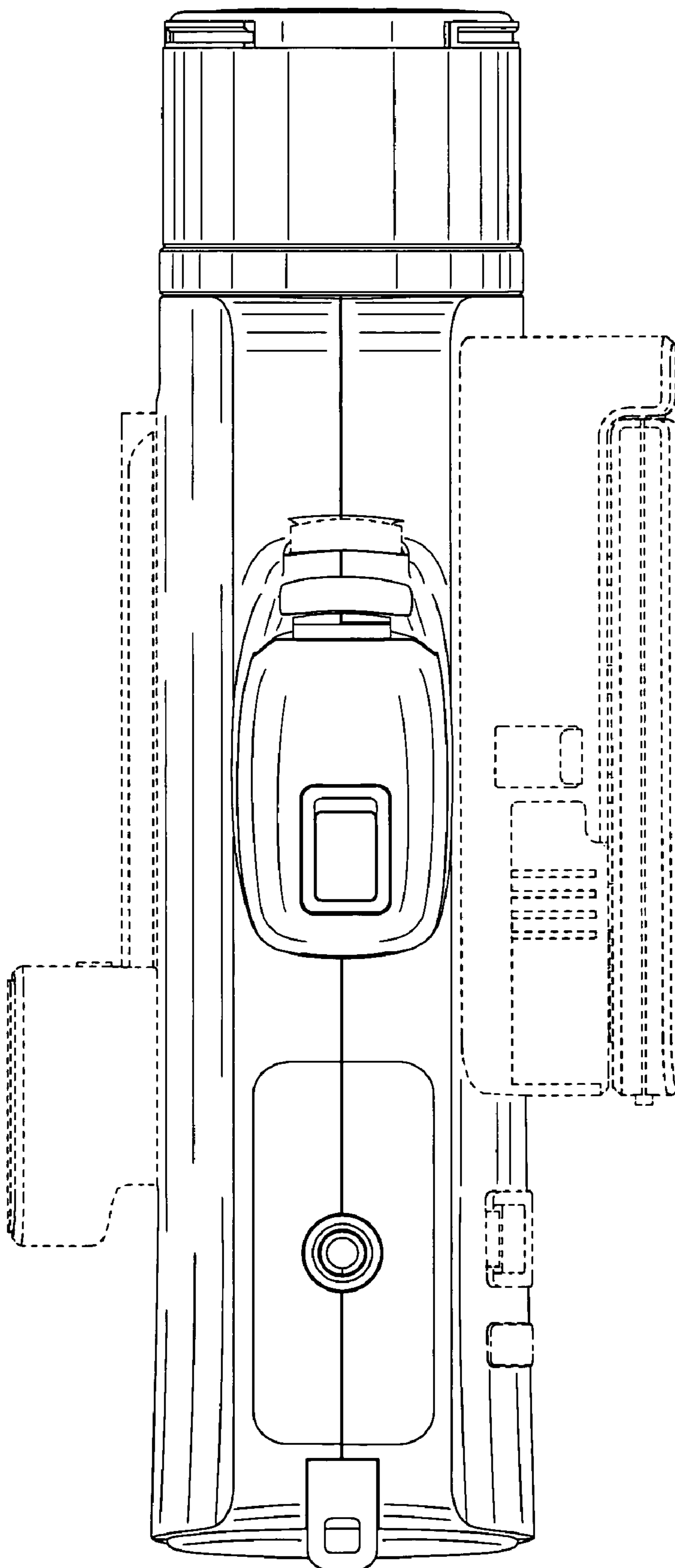
**FIG. 4**



**FIG. 5**

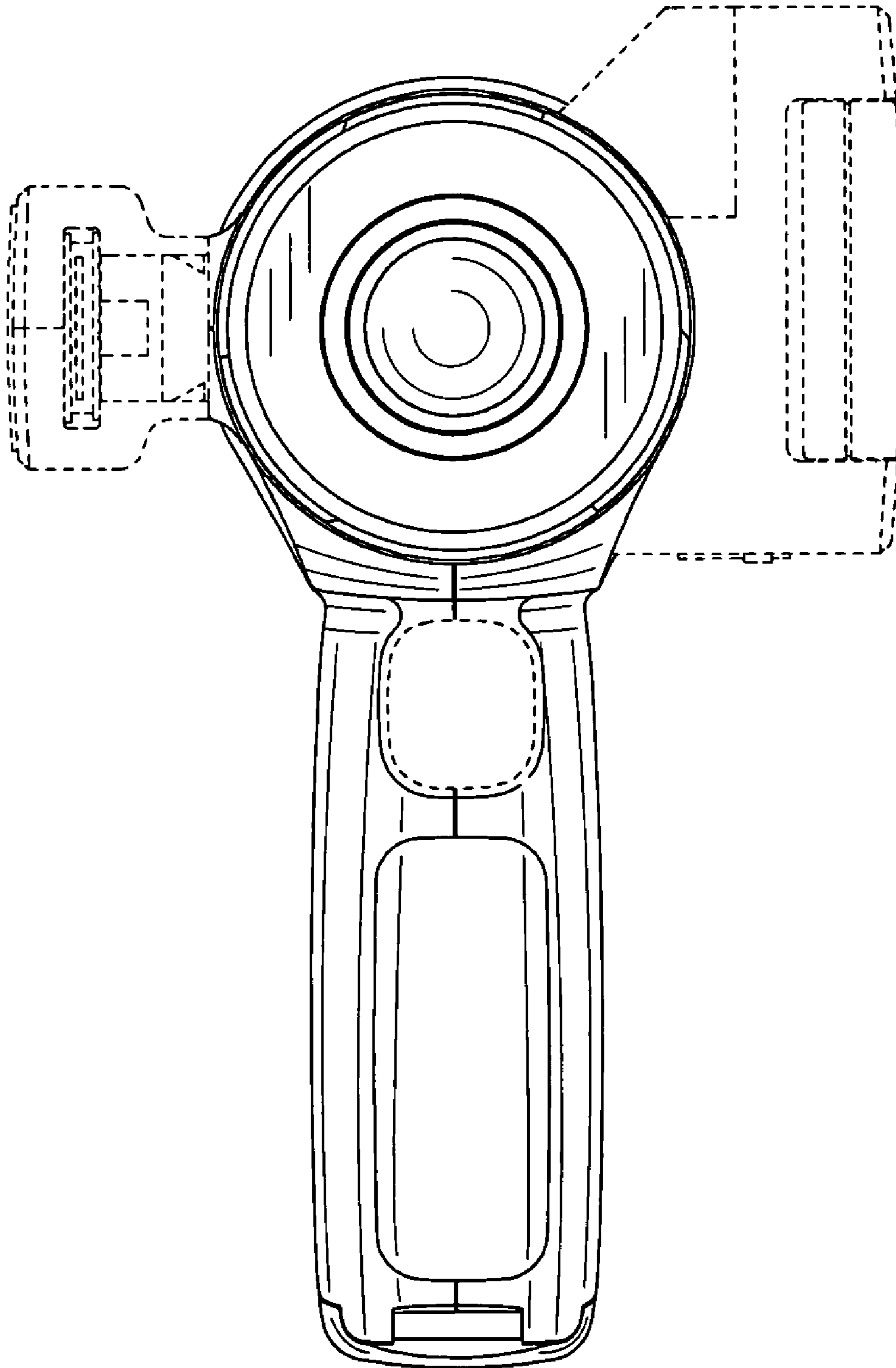


**FIG. 6**

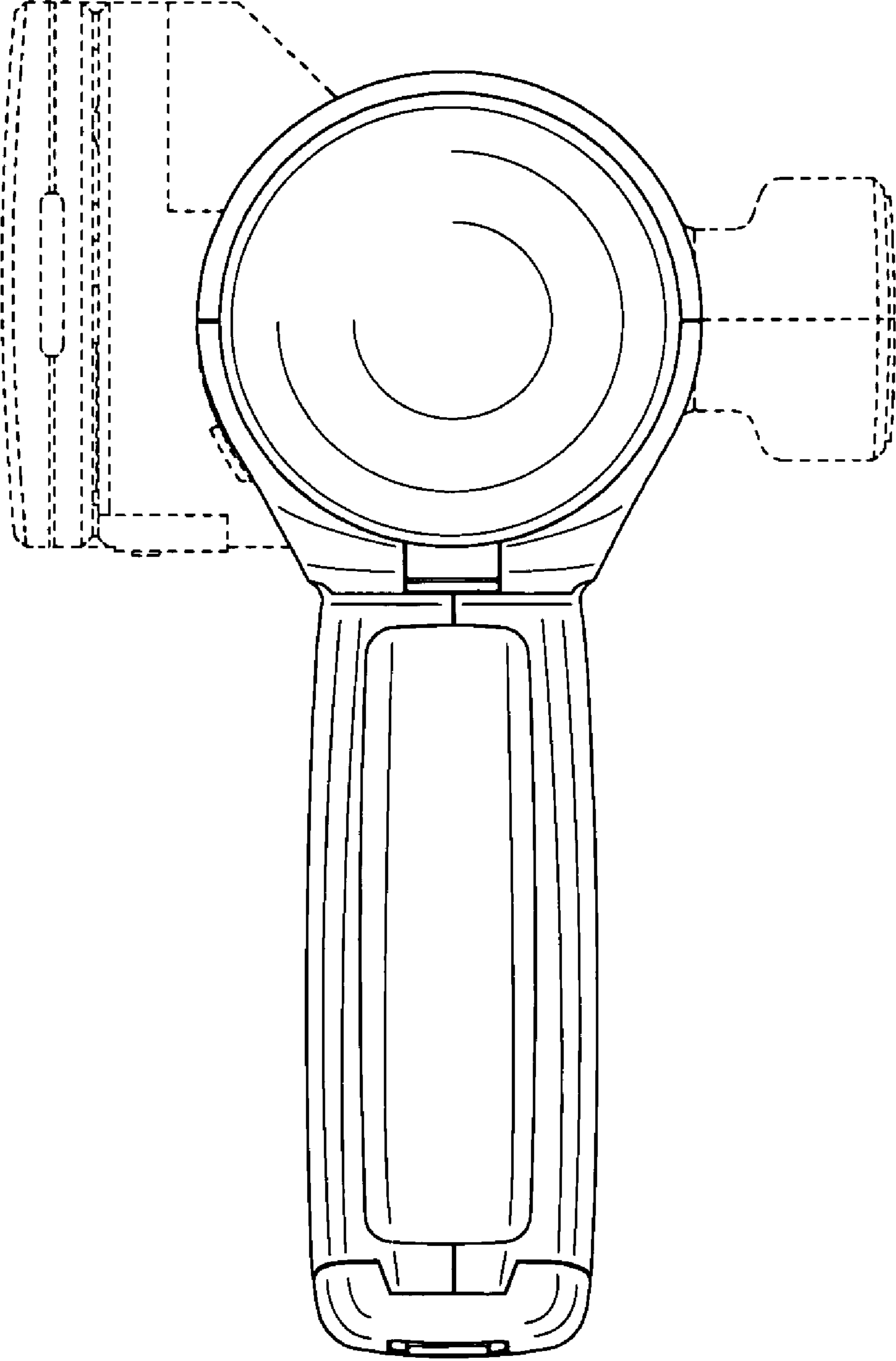




**FIG. 7**



**FIG. 8**



**FIG. 9**

