



US00D655323S

(12) **United States Design Patent**  
**Brockhage**

(10) **Patent No.:** **US D655,323 S**

(45) **Date of Patent:** **\*\* Mar. 6, 2012**

(54) **COATER**

(75) Inventor: **Britt Brockhage**, Bettendorf, IA (US)

(73) Assignee: **Schebler Company**, Bettendorf, IA (US)

(\*\*) Term: **14 Years**

(21) Appl. No.: **29/381,133**

(22) Filed: **Dec. 15, 2010**

(51) **LOC (9) Cl.** ..... **15-09**

(52) **U.S. Cl.** ..... **D15/145**

(58) **Field of Classification Search** ..... D15/122,  
D15/124, 199; 118/64, 309, 300, 310, 324  
See application file for complete search history.

(56) **References Cited**

U.S. PATENT DOCUMENTS

2,400,315	A *	5/1946	Paasche	.....	118/64
6,068,702	A *	5/2000	Bertellotti et al.	.....	118/621
D567,264	S *	4/2008	Muller et al.	.....	D15/122
D616,472	S *	5/2010	Fusejima	.....	D15/122

D622,296	S *	8/2010	Ueberschlag	.....	D15/122
2006/0029740	A1 *	2/2006	Sakurai et al.	.....	427/335
2006/0147633	A1 *	7/2006	Jones	.....	427/299
2008/0003349	A1 *	1/2008	Van Sciver et al.	.....	427/8

\* cited by examiner

*Primary Examiner* — Patricia Palasik

(74) *Attorney, Agent, or Firm* — Hamilton IP Law, PC.; Jay R. Hamilton; Charles A. Damschen

(57) **CLAIM**

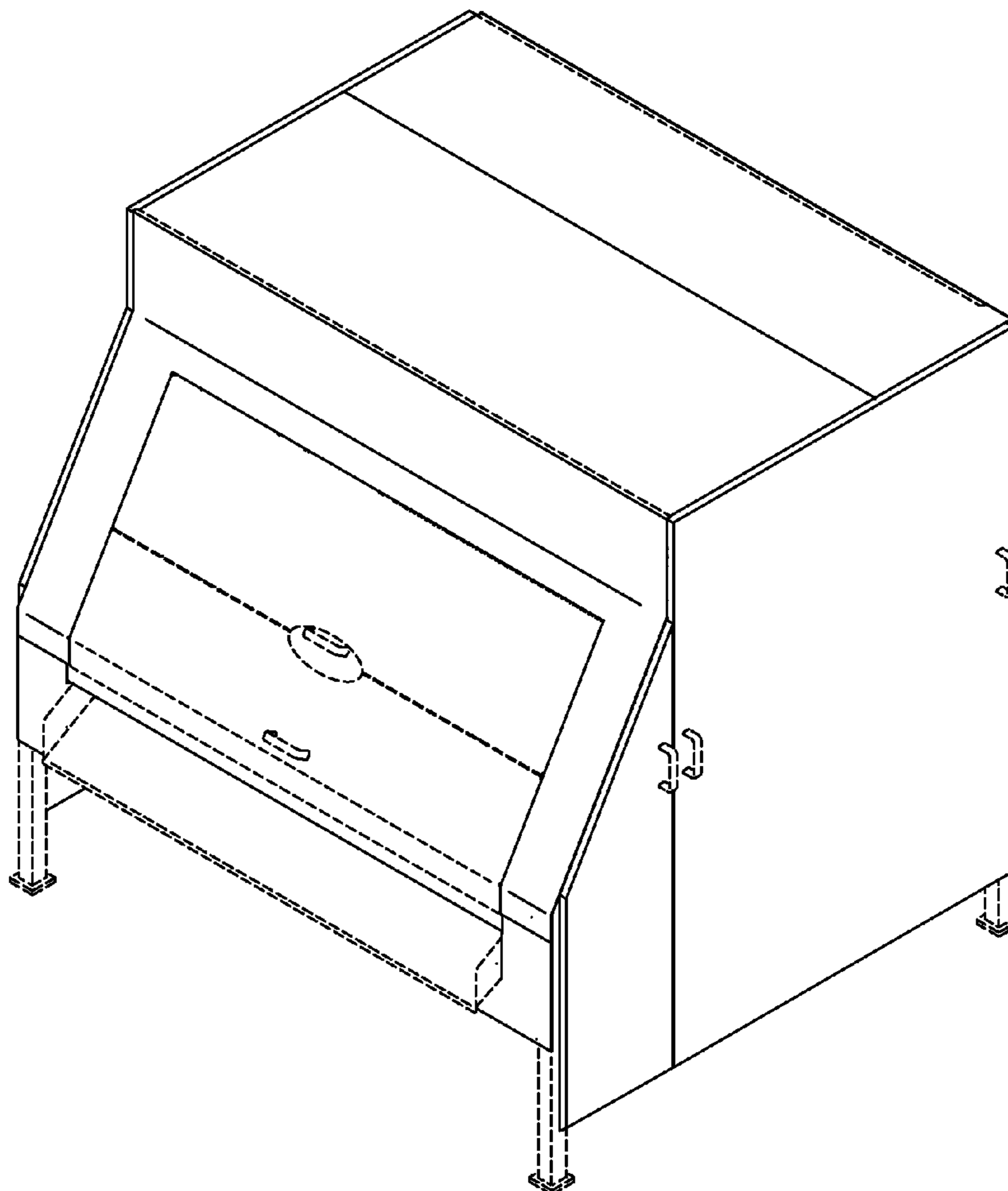
The ornamental design for a coater, as shown and described.

**DESCRIPTION**

FIG. 1 is a perspective view showing my new design;  
FIG. 2 is a front view thereof;  
FIG. 3 is a left side view thereof;  
FIG. 4 is a right side view thereof; and,  
FIG. 5 is a top view thereof.

The broken lines in the Figures are for environment only and form no part of the claimed design.

**1 Claim, 5 Drawing Sheets**



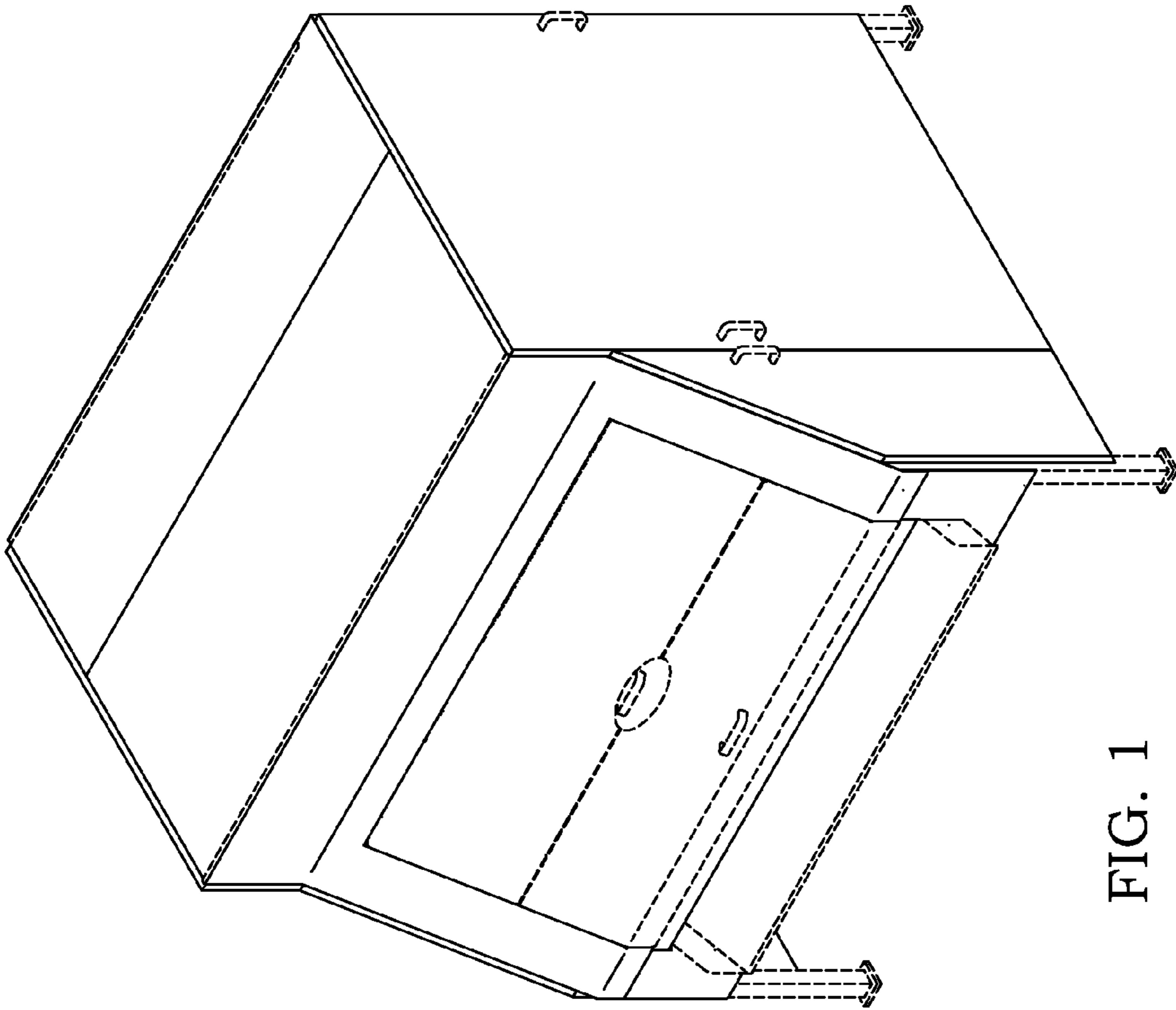


FIG. 1

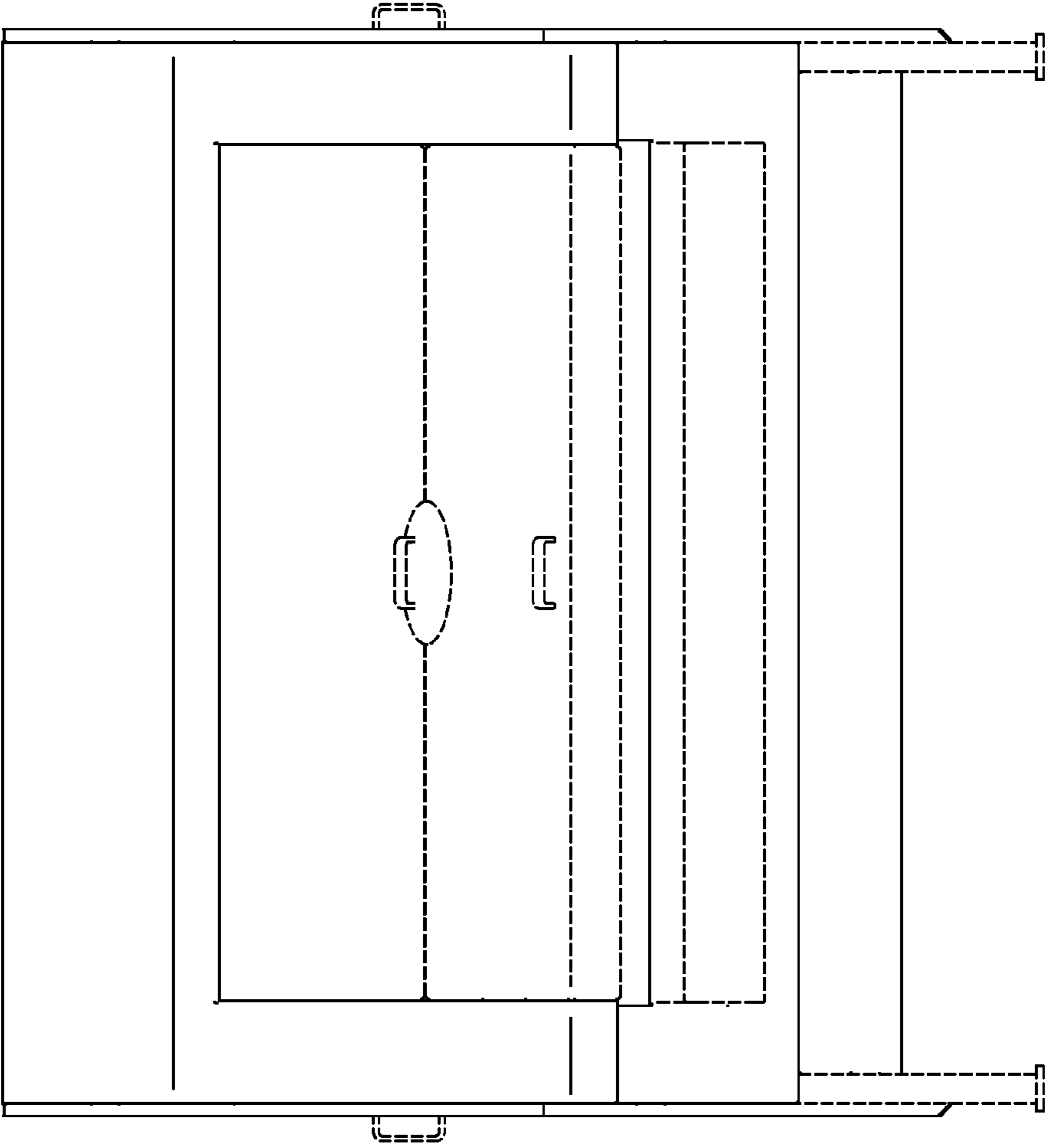


FIG. 2

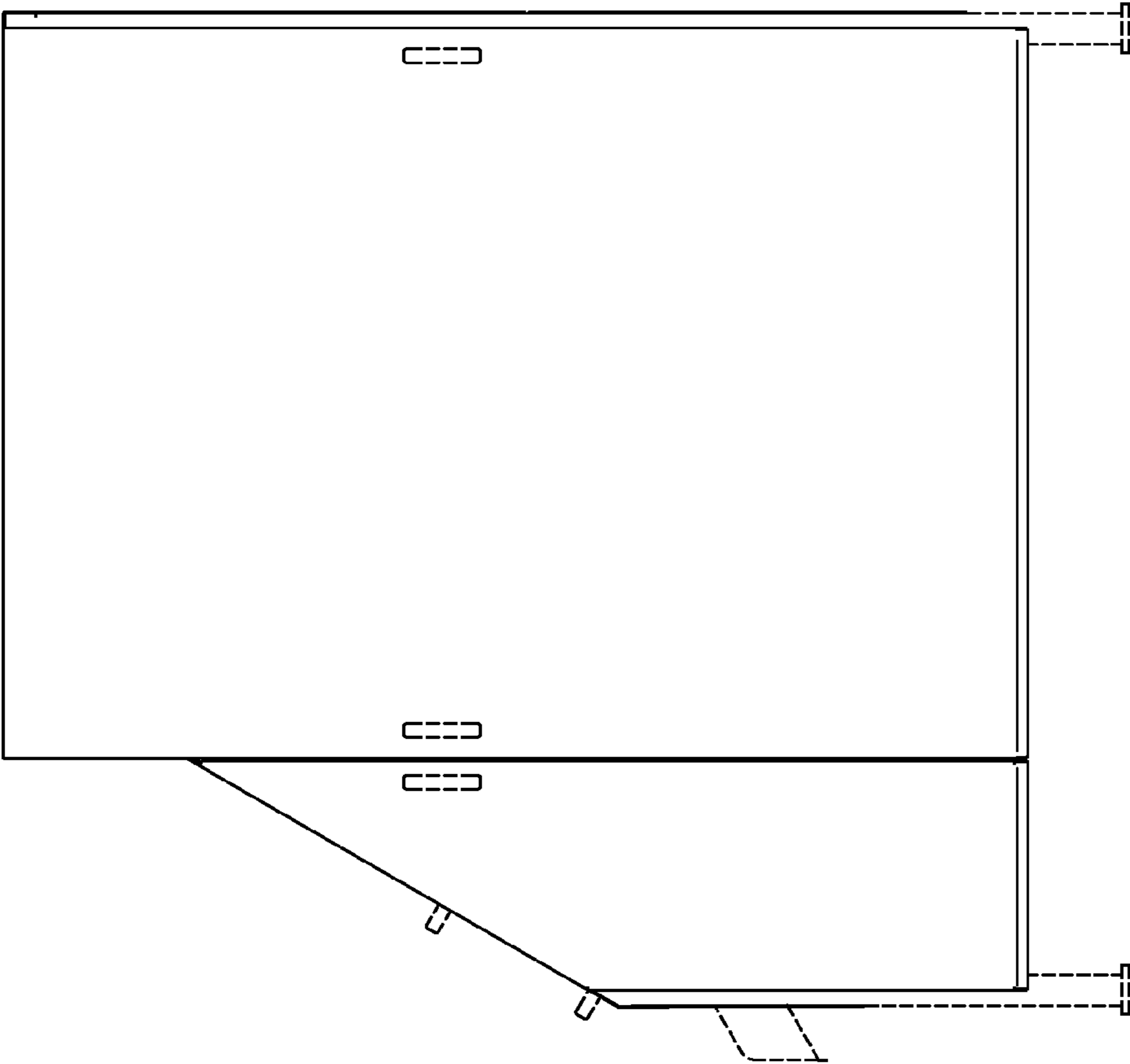


FIG. 3

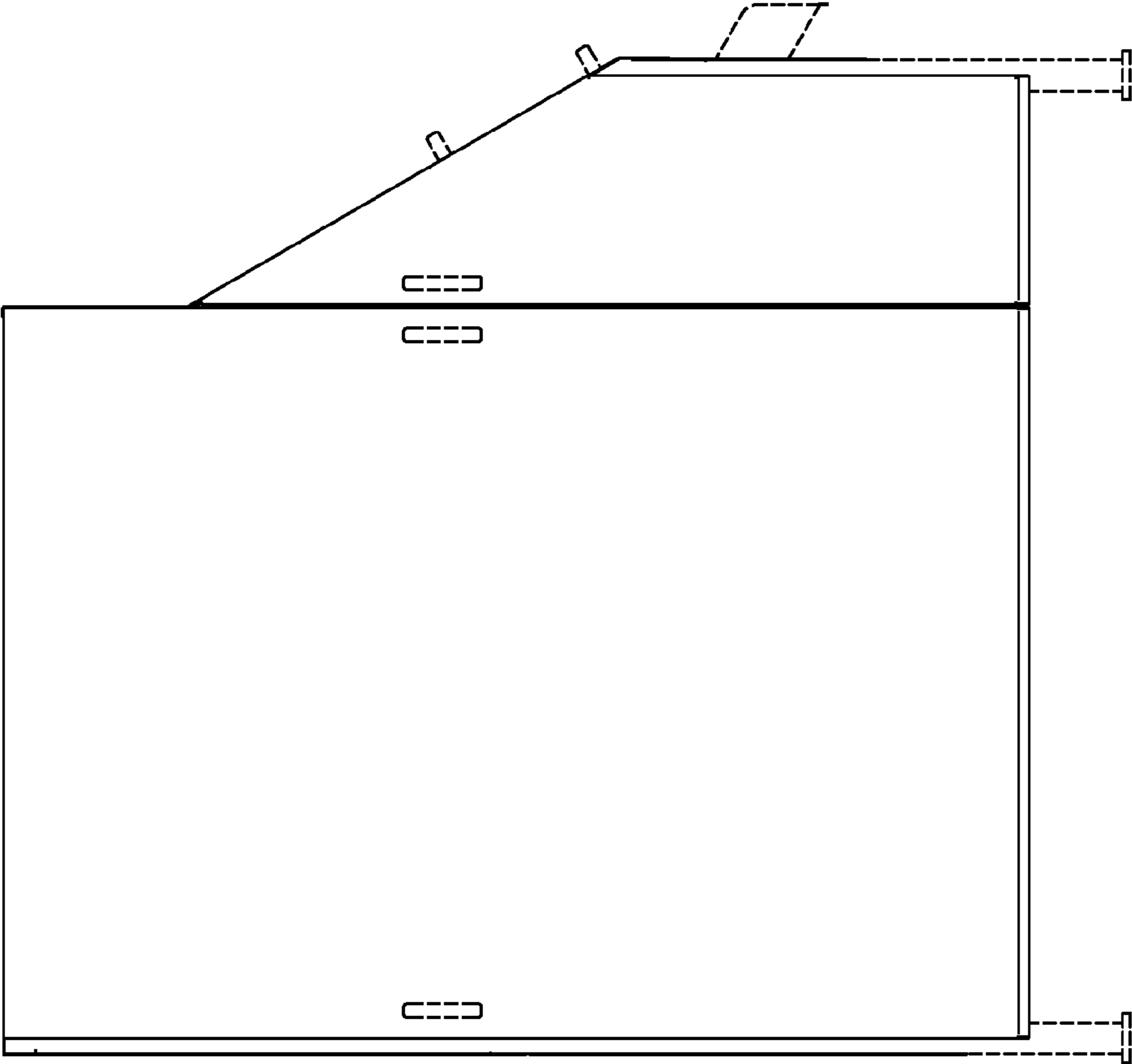


FIG. 4

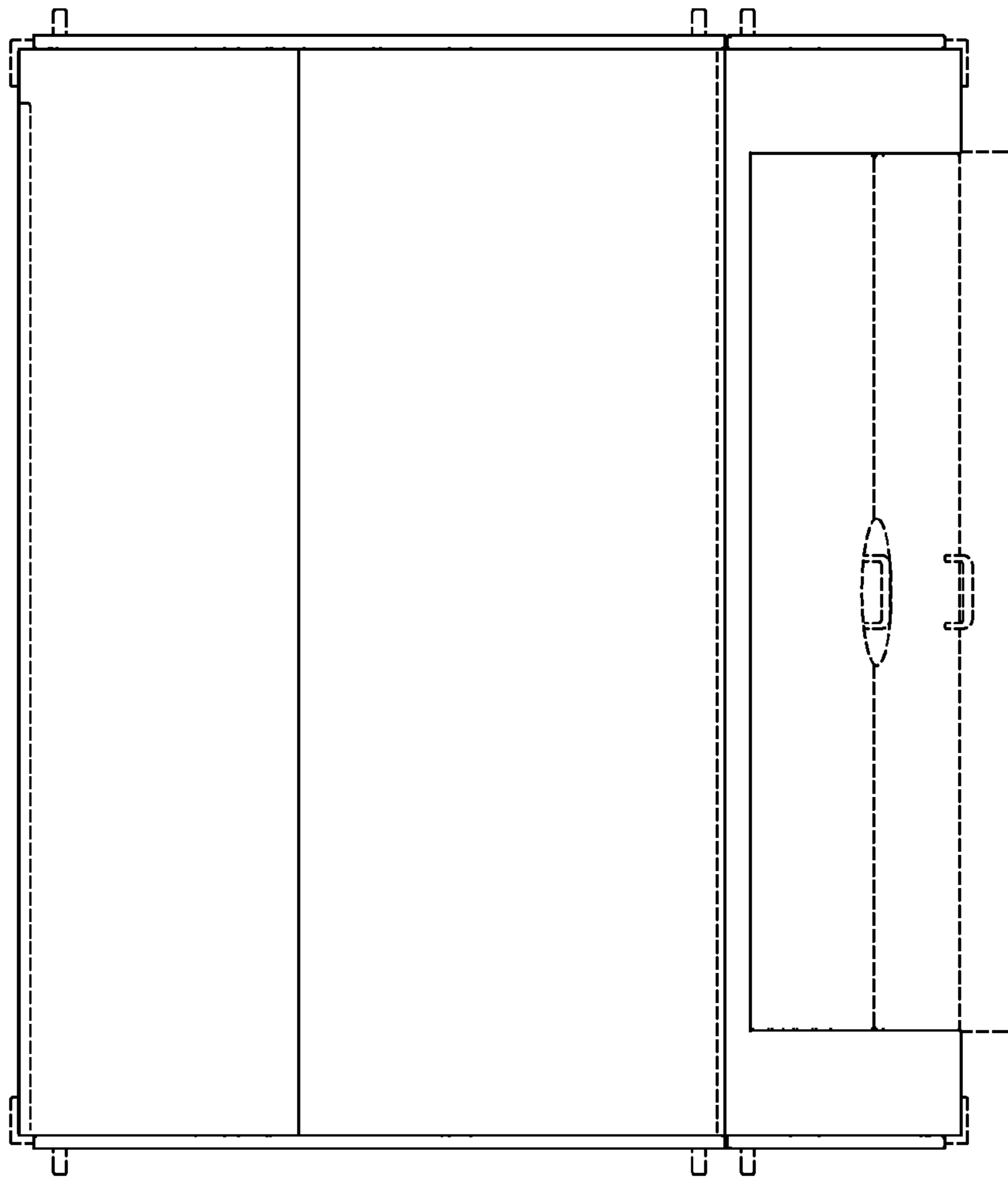


FIG. 5