



US00D655319S

(12) **United States Design Patent**
Hagele

(10) **Patent No.:** **US D655,319 S**
(45) **Date of Patent:** **** Mar. 6, 2012**

(54) **TRACTOR HOOD**

(75) Inventor: **Carl J. Hagele**, The Villages, FL (US);
Richard J. Hagele, legal representative,
The Villages, FL (US)

(73) Assignee: **CNH America LLC**

(**) Term: **14 Years**

(21) Appl. No.: **29/391,535**

(22) Filed: **May 10, 2011**

(51) **LOC (9) Cl.** **15-03**

(52) **U.S. Cl.** **D15/31**

(58) **Field of Classification Search** D15/10,
D15/11, 13-17, 28, 22-26, 31; D12/173;
56/13.3, 13.4, 15.8, 15.9, 320.1; 180/89.1,
180/89.12, 900, 69.2, 68.1, 69.1

See application file for complete search history.

(56) **References Cited**

U.S. PATENT DOCUMENTS

| | | | |
|--------------|---------|------------------------|--------|
| D381,025 S * | 7/1997 | Bataille | D15/31 |
| D413,905 S * | 9/1999 | Schmidt et al. | D15/31 |
| D419,164 S * | 1/2000 | Heiler et al. | D15/31 |
| D465,500 S * | 11/2002 | Workman et al. | D15/31 |
| D473,882 S * | 4/2003 | Kuwae | D15/31 |
| D488,488 S * | 4/2004 | Montgomery et al. | D15/31 |
| D497,370 S * | 10/2004 | Katoh | D15/31 |

| | | | |
|--------------|---------|----------------------|--------|
| D537,090 S * | 2/2007 | Kuwae | D15/31 |
| D554,669 S * | 11/2007 | Crookes et al. | D15/31 |
| D557,714 S * | 12/2007 | Higashikawa | D15/31 |
| D558,799 S * | 1/2008 | Higashikawa | D15/31 |
| D565,607 S * | 4/2008 | Moen et al. | D15/31 |
| D591,777 S * | 5/2009 | Kokitkar et al. | D15/31 |
| D631,489 S * | 1/2011 | Booth et al. | D15/31 |
| D632,312 S * | 2/2011 | Booth et al. | D15/31 |

* cited by examiner

Primary Examiner — Mark Goodwin

(74) *Attorney, Agent, or Firm* — Sue C. Watson

(57) **CLAIM**

I claim the ornamental design for a tractor hood, as shown and described.

DESCRIPTION

FIG. 1 is a top front perspective view of a tractor hood showing my new design;

FIG. 2 is a front view thereof

FIG. 3 is a rear view thereof;

FIG. 4 is a right side view thereof;

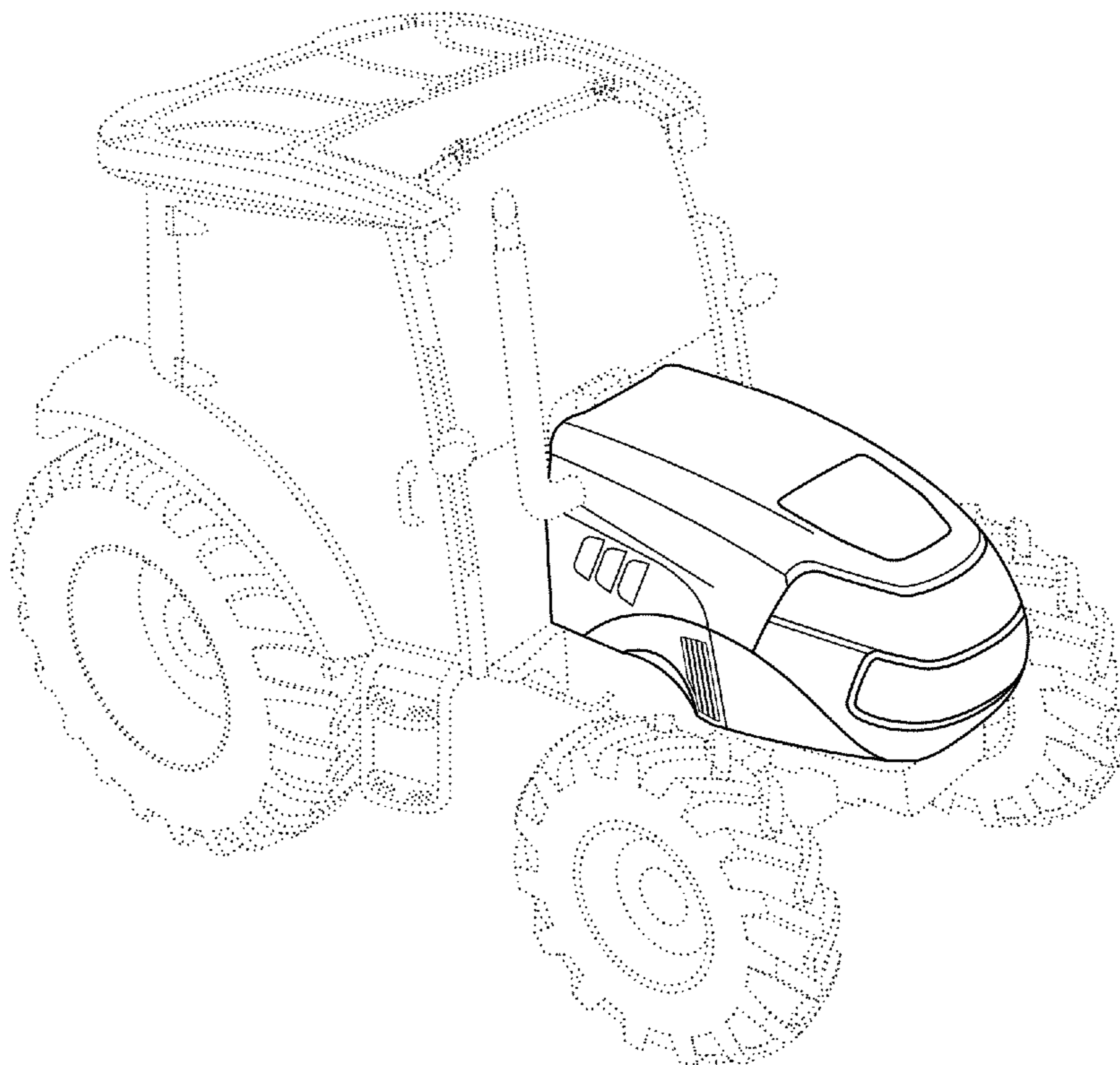
FIG. 5 is a left side view thereof;

FIG. 6 is a top plan view thereof; and,

FIG. 7 is a bottom plan view thereof.

The broken line showing of a tractor in FIGS. 1-7 is for environmental purposes only and forms no part of the claimed design.

1 Claim, 7 Drawing Sheets



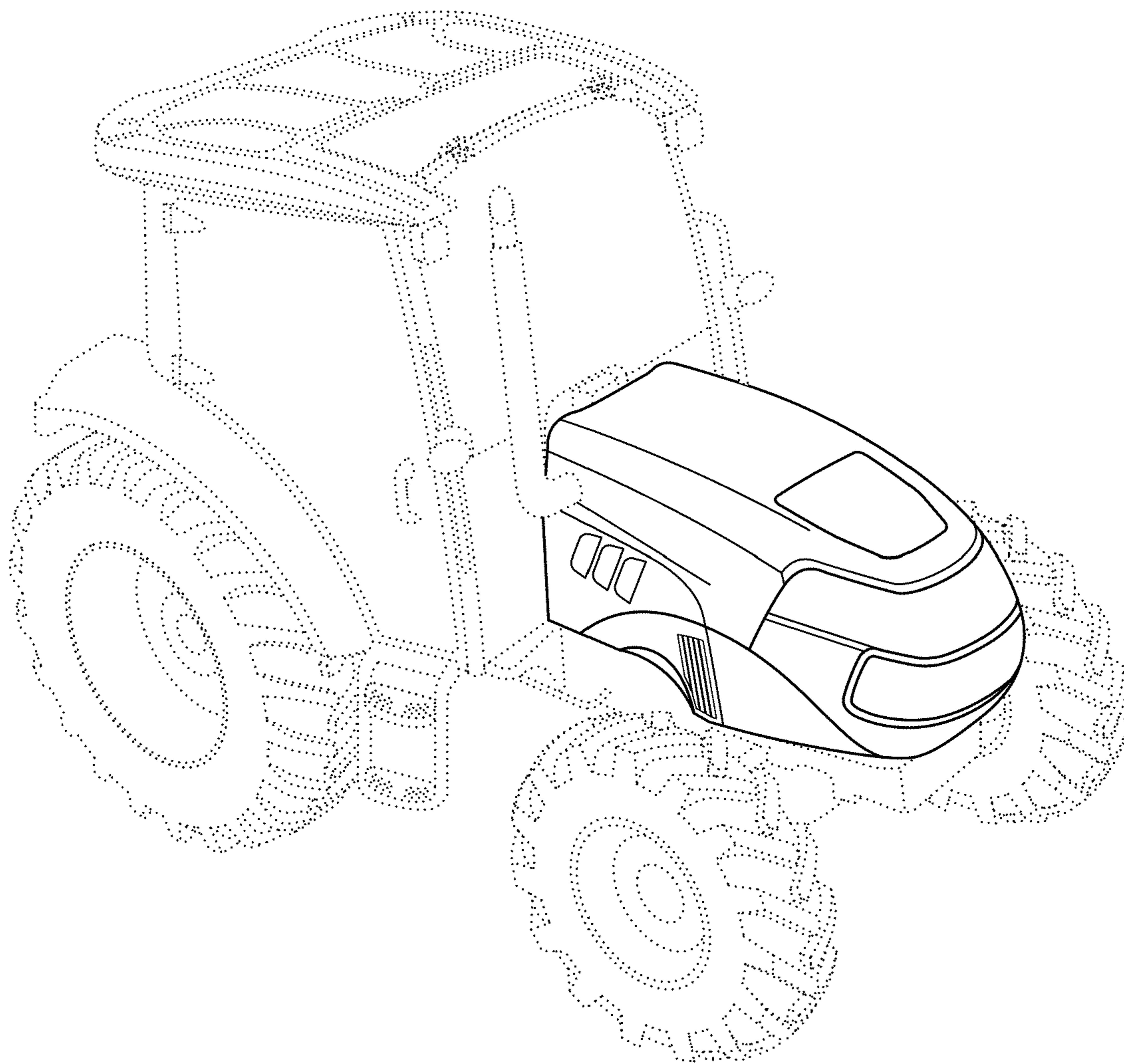


FIG. 1

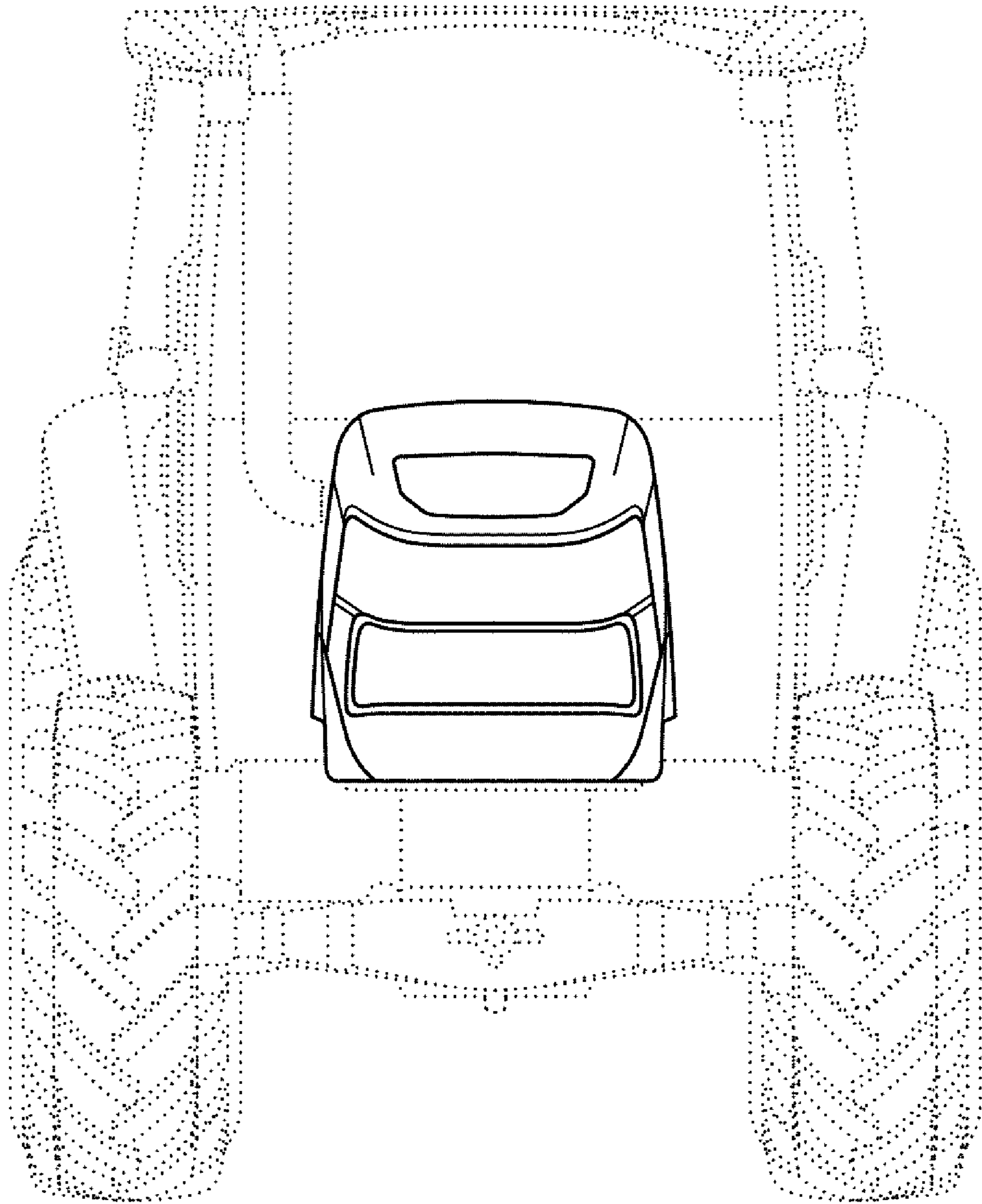


FIG. 2

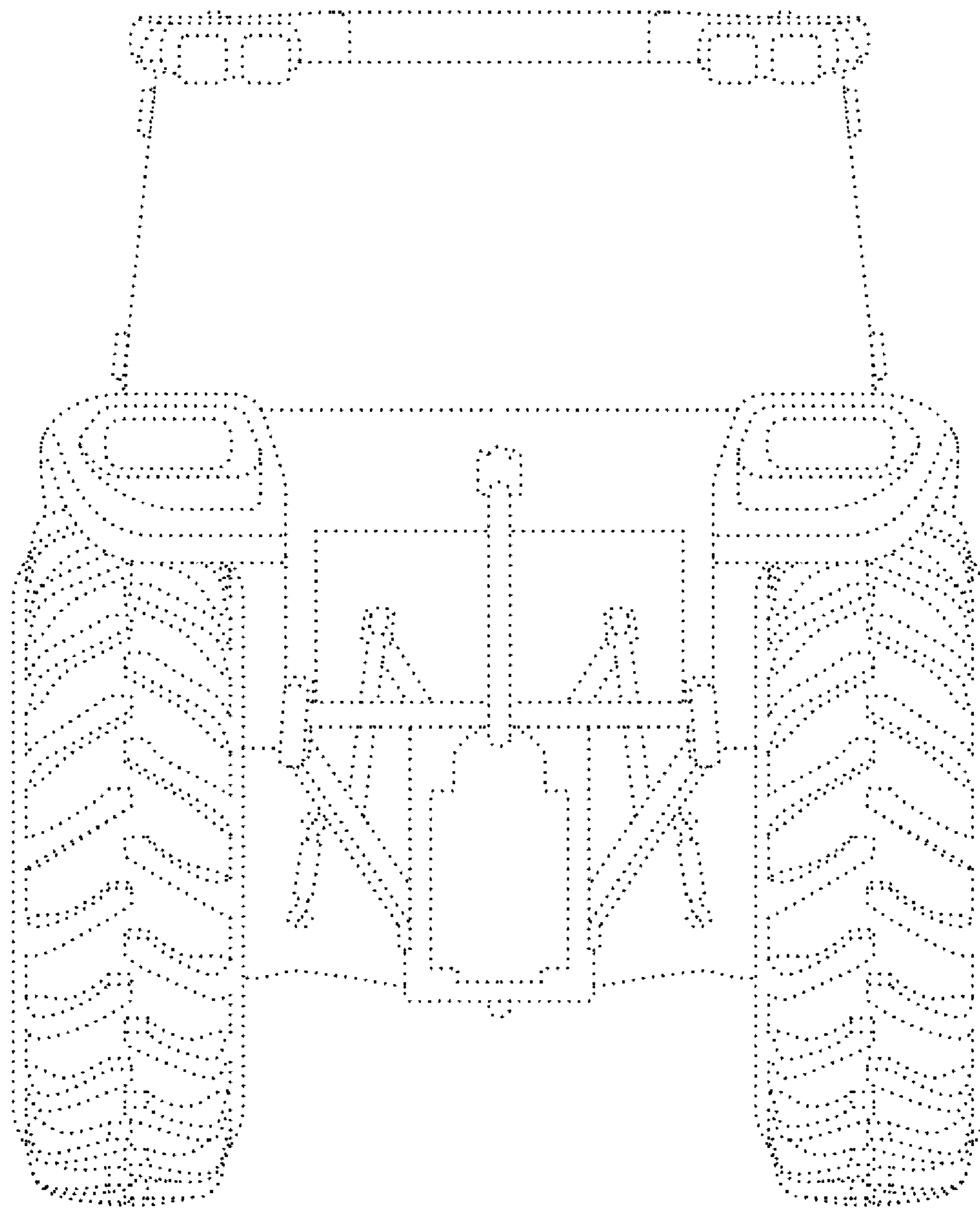


FIG. 3

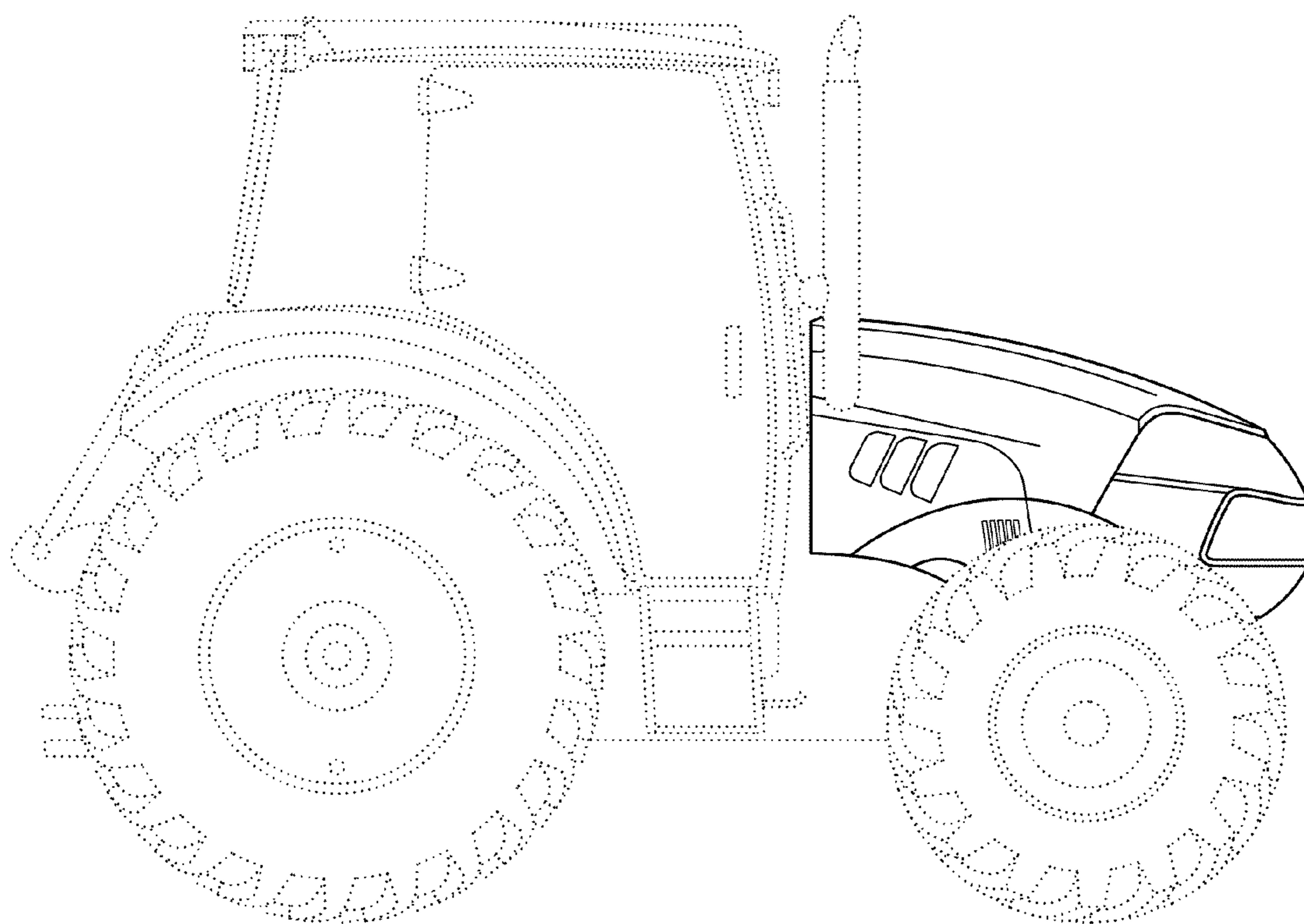


FIG. 4

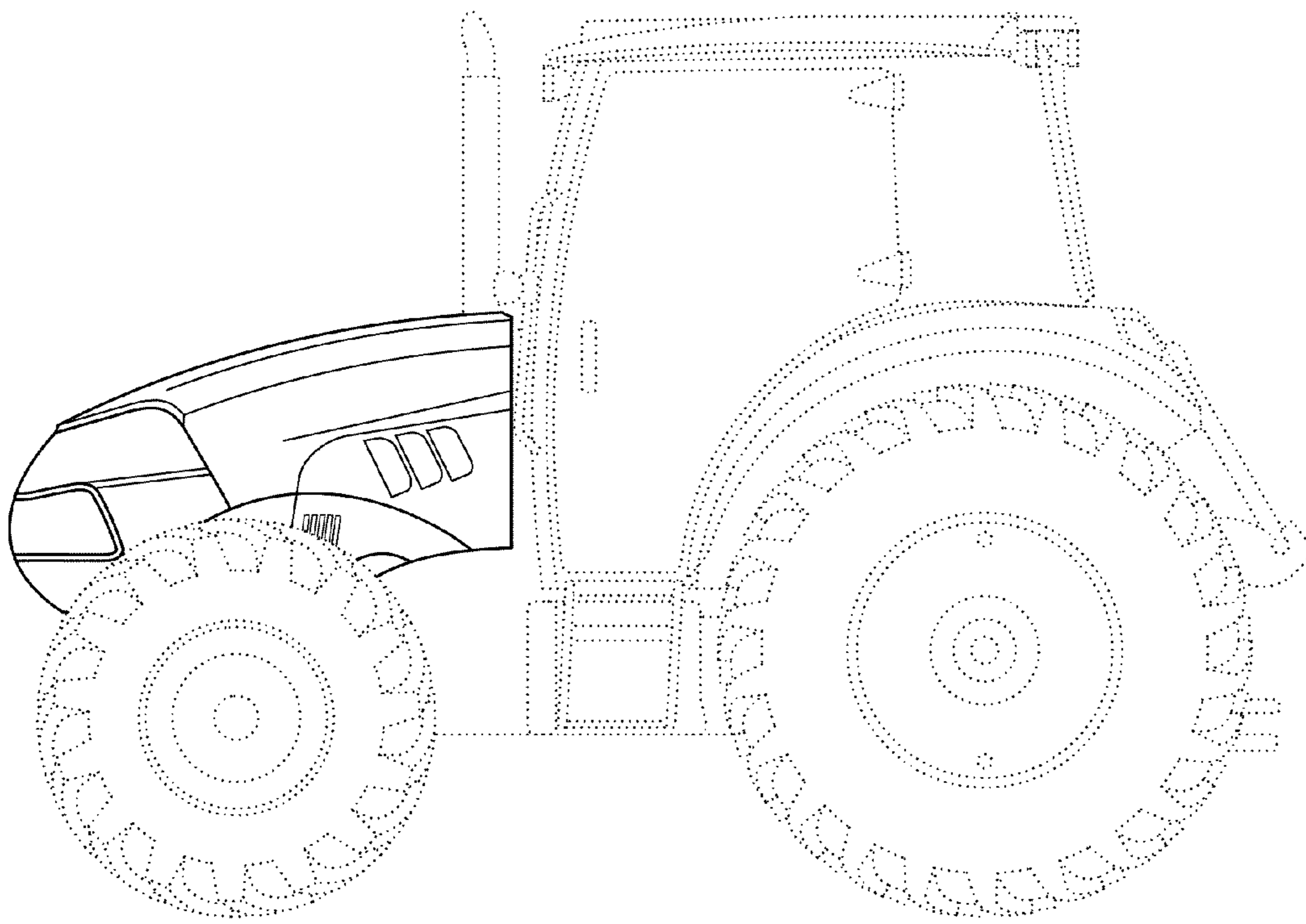


FIG. 5

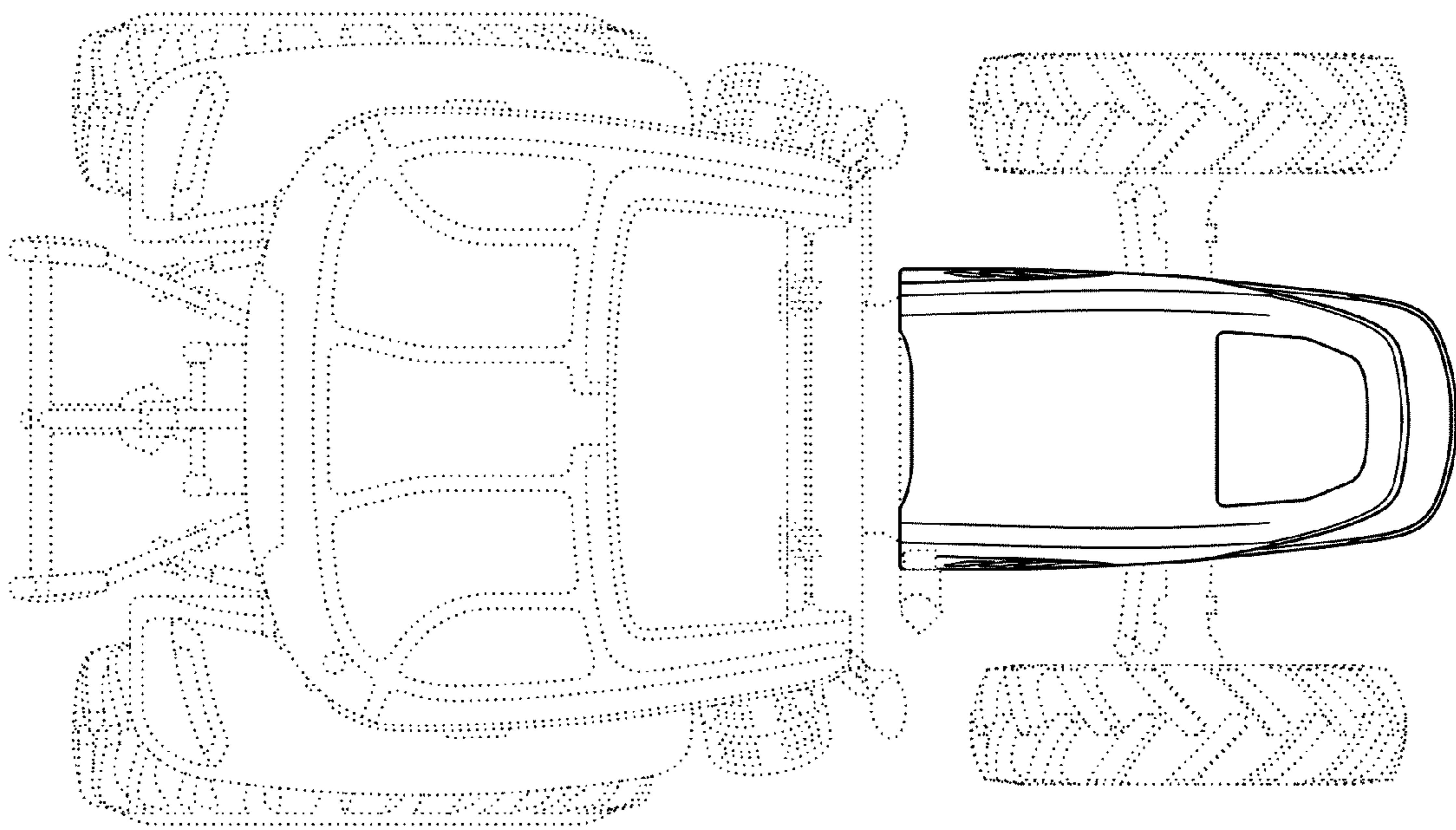


FIG. 6

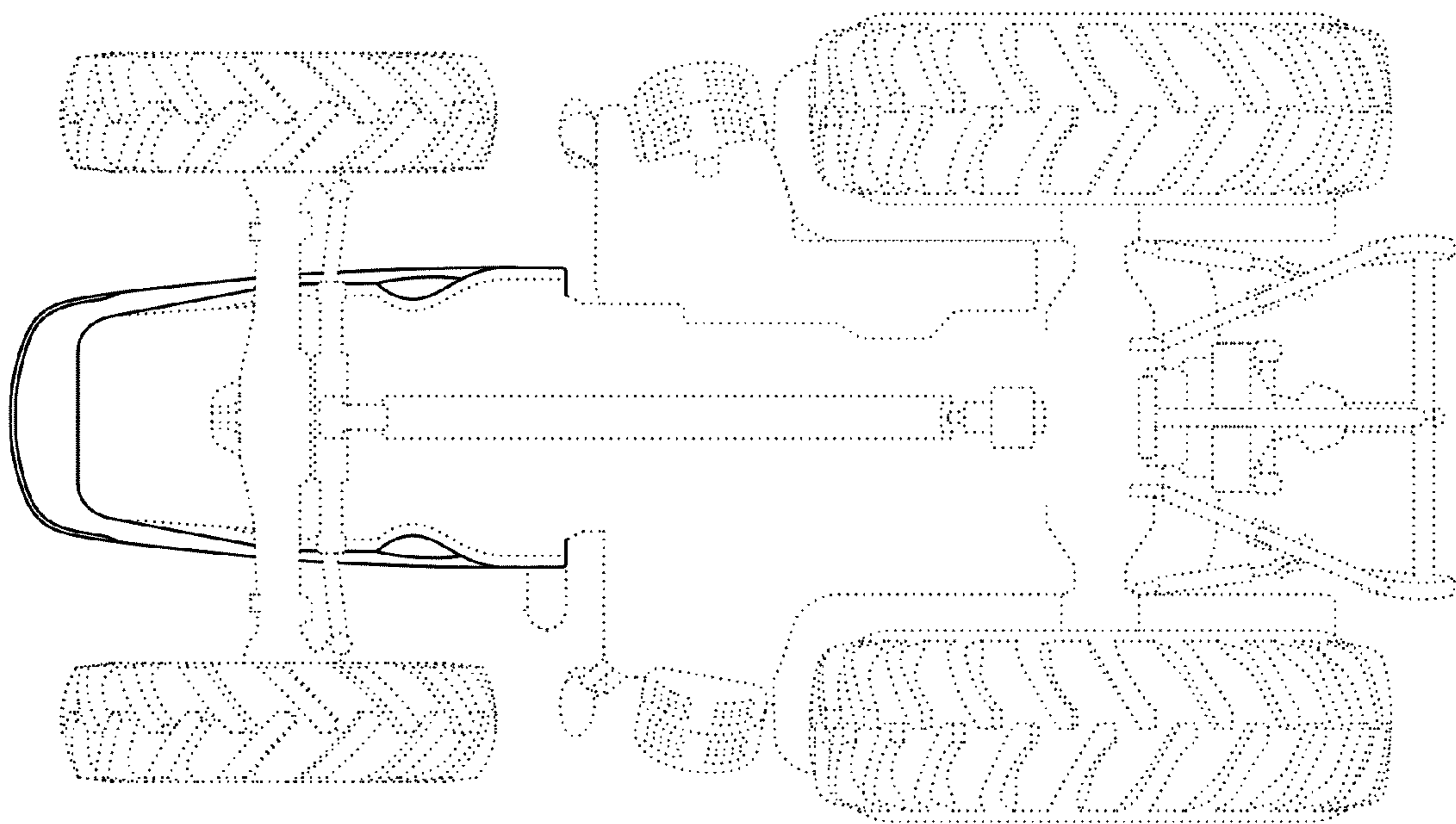


FIG. 7