



US00D655317S

(12) **United States Design Patent**
Hagele

(10) **Patent No.:** **US D655,317 S**

(45) **Date of Patent:** **** Mar. 6, 2012**

(54) **TRACTOR HOOD**

(75) **Inventor:** **Carl J. Hagele**, The Villages, FL (US);
Richard J. Hagele, legal representative,
The Villages, FL (US)

(73) **Assignee:** **CNH America LLC**

(**) **Term:** **14 Years**

(21) **Appl. No.:** **29/391,530**

(22) **Filed:** **May 10, 2011**

(51) **LOC (9) Cl.** **15-03**

(52) **U.S. Cl.** **D15/31**

(58) **Field of Classification Search** D15/10,
D15/11, 13-17, 28, 22-26, 31; D12/173;
56/13.3, 13.4, 15.8, 15.9, 320.1; 180/89.1,
180/89.12, 900, 69.2, 68.1, 69.1

See application file for complete search history.

(56) **References Cited**

U.S. PATENT DOCUMENTS

D381,025 S *	7/1997	Bataille	D15/31
D413,905 S *	9/1999	Schmidt et al.	D15/31
D419,164 S *	1/2000	Heiler et al.	D15/31
D465,500 S *	11/2002	Workman et al.	D15/31
D473,882 S *	4/2003	Kuwae	D15/31
D488,488 S *	4/2004	Montgomery et al.	D15/31
D497,370 S *	10/2004	Katoh	D15/31

D537,090 S *	2/2007	Kuwae	D15/31
D554,669 S *	11/2007	Crookes et al.	D15/31
D557,714 S *	12/2007	Higashikawa	D15/31
D558,799 S *	1/2008	Higashikawa	D15/31
D565,607 S *	4/2008	Moen et al.	D15/31
D591,777 S *	5/2009	Kokitkar et al.	D15/31
D631,489 S *	1/2011	Booth et al.	D15/31
D632,312 S *	2/2011	Booth et al.	D15/31

* cited by examiner

Primary Examiner — Mark Goodwin

(74) *Attorney, Agent, or Firm* — Sue C. Watson

(57) **CLAIM**

I claim the ornamental design for a tractor hood, as shown and described.

DESCRIPTION

FIG. 1 is a top front perspective view of a tractor hood showing my new design;

FIG. 2 is a front view thereof

FIG. 3 is a rear view thereof;

FIG. 4 is a right side view thereof;

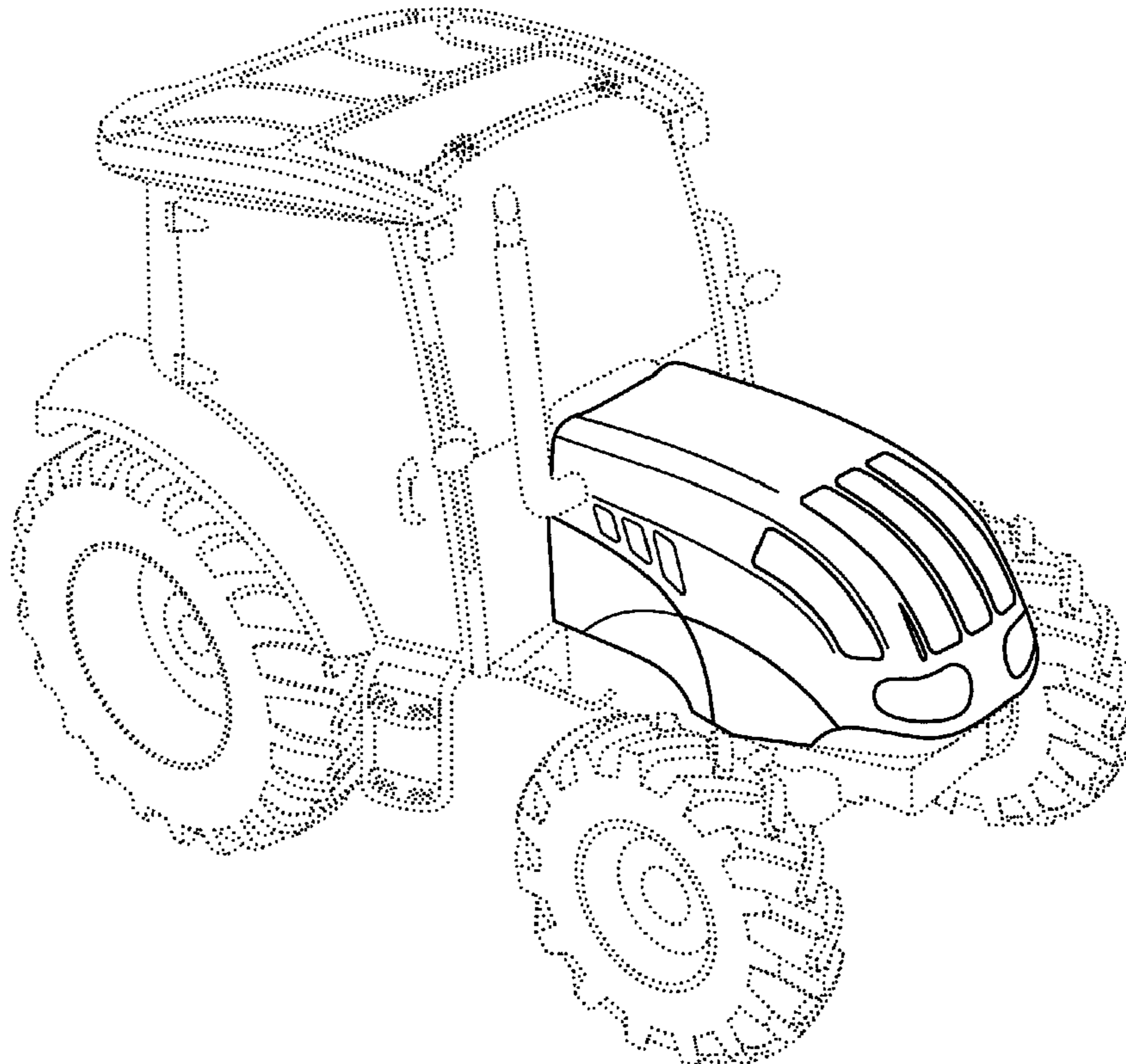
FIG. 5 is a left side view thereof;

FIG. 6 is a top plan view thereof; and,

FIG. 7 is a bottom plan view thereof.

The broken line showing of a tractor in FIGS. 1-7 is for environmental purposes only and forms no part of the claimed design.

1 Claim, 7 Drawing Sheets



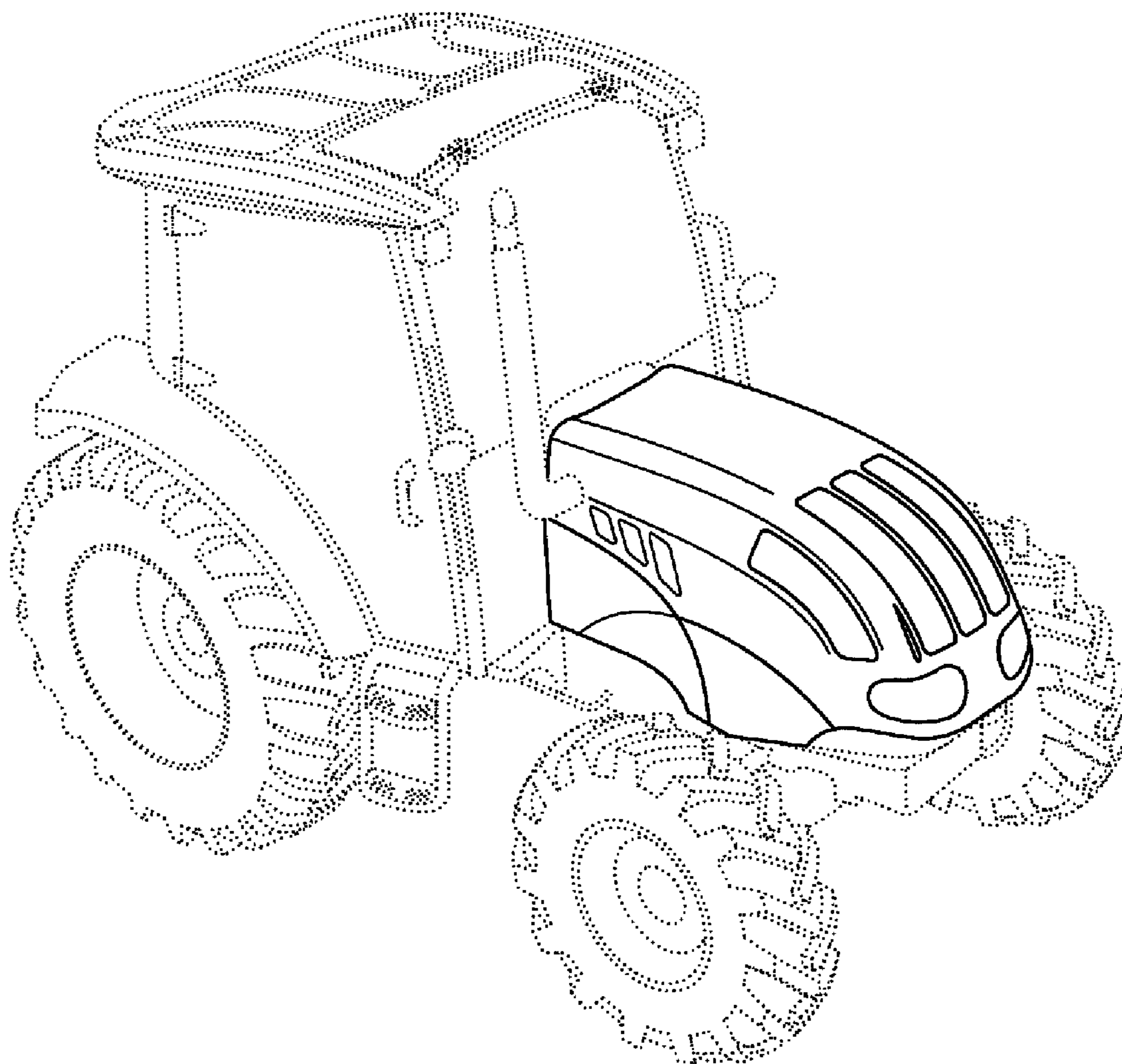


FIG. 1

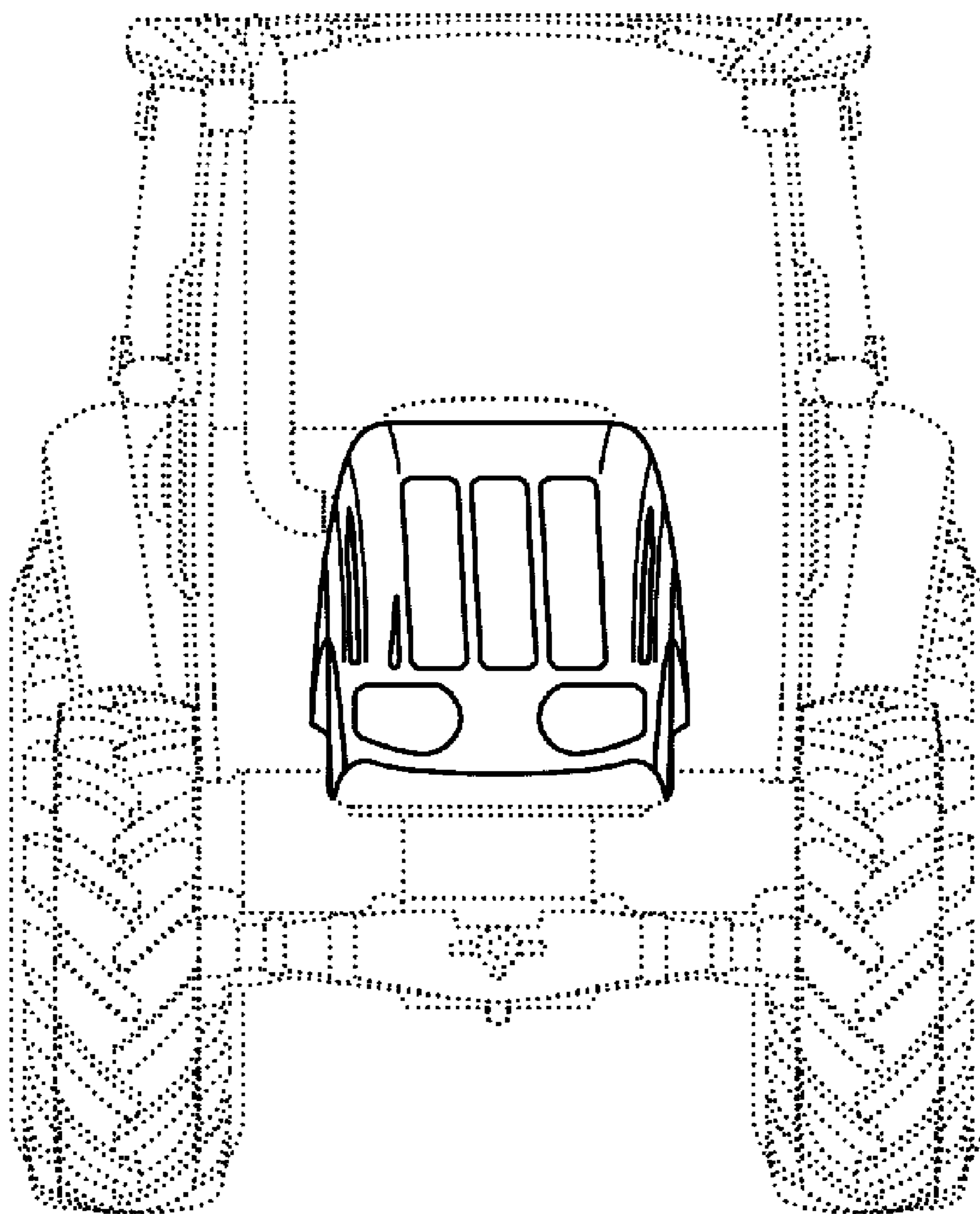


FIG. 2

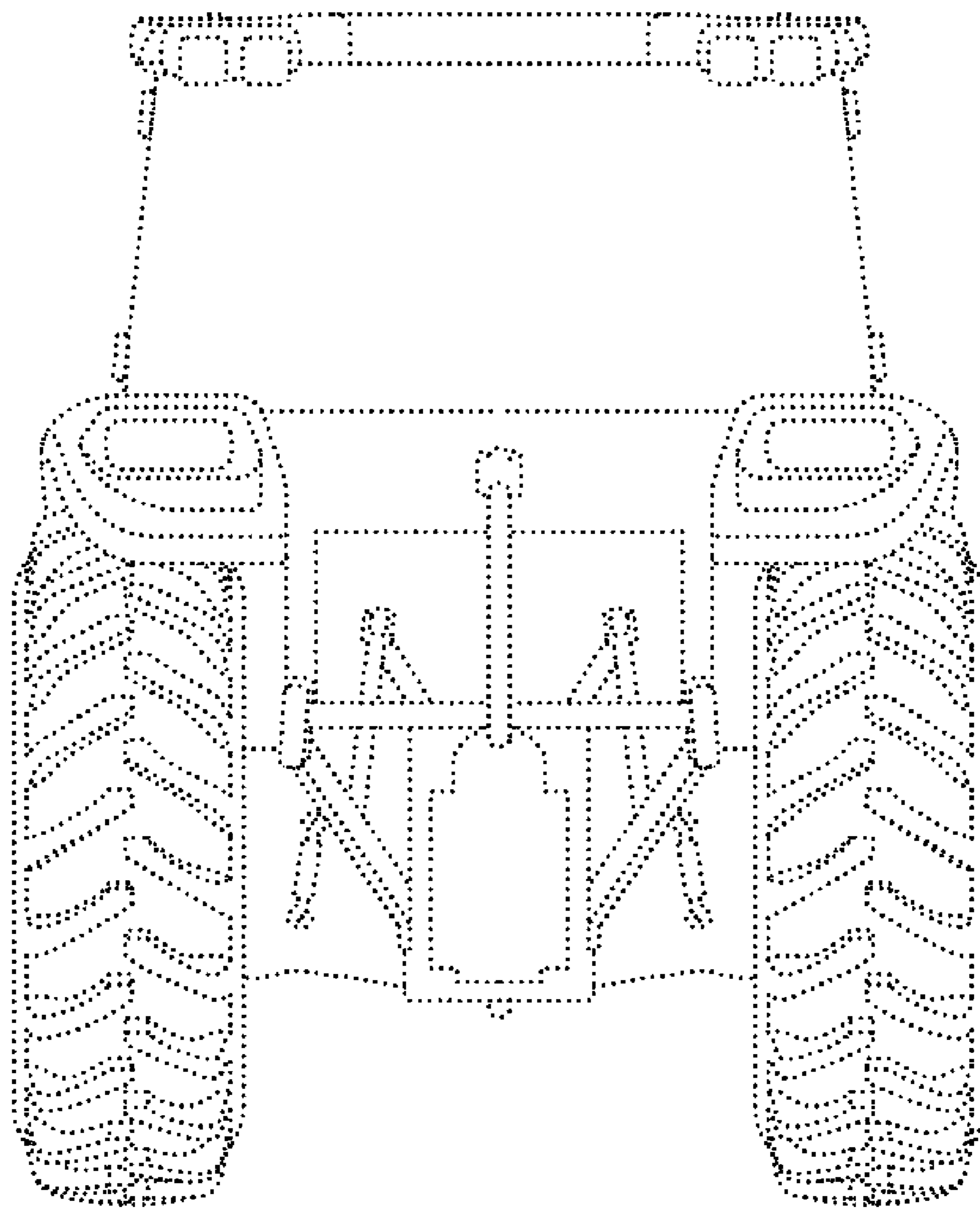


FIG. 3

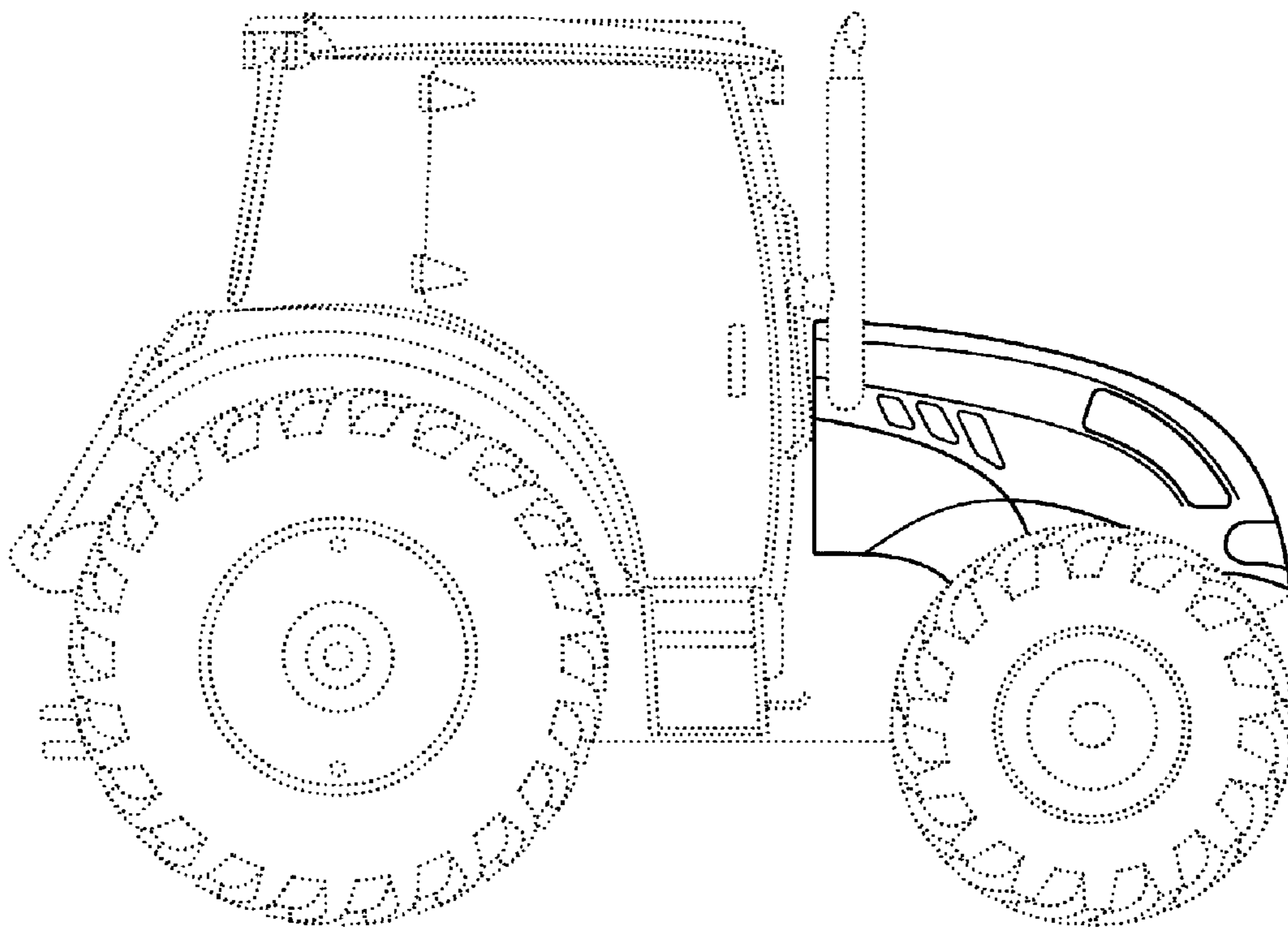


FIG. 4

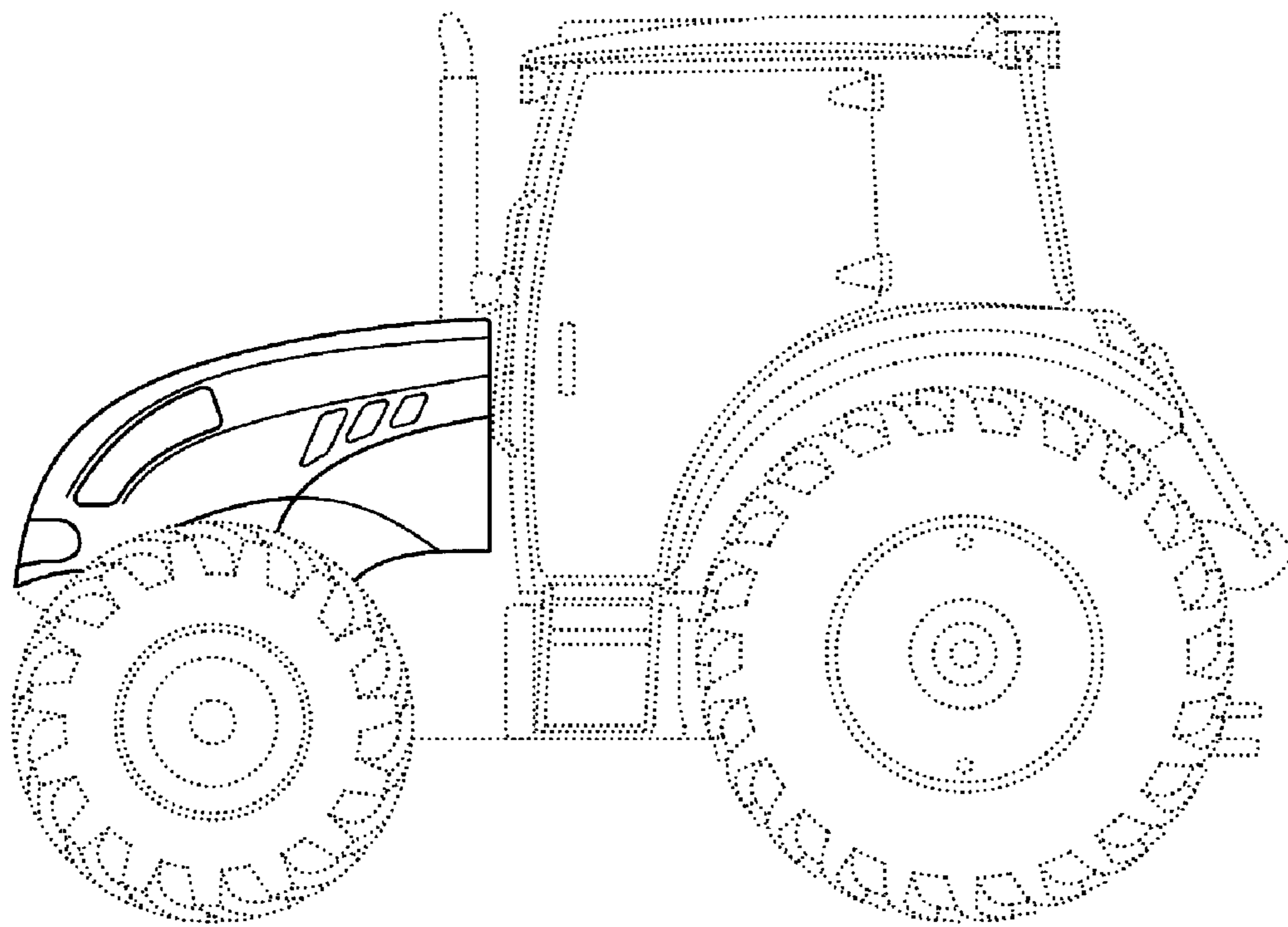


FIG. 5

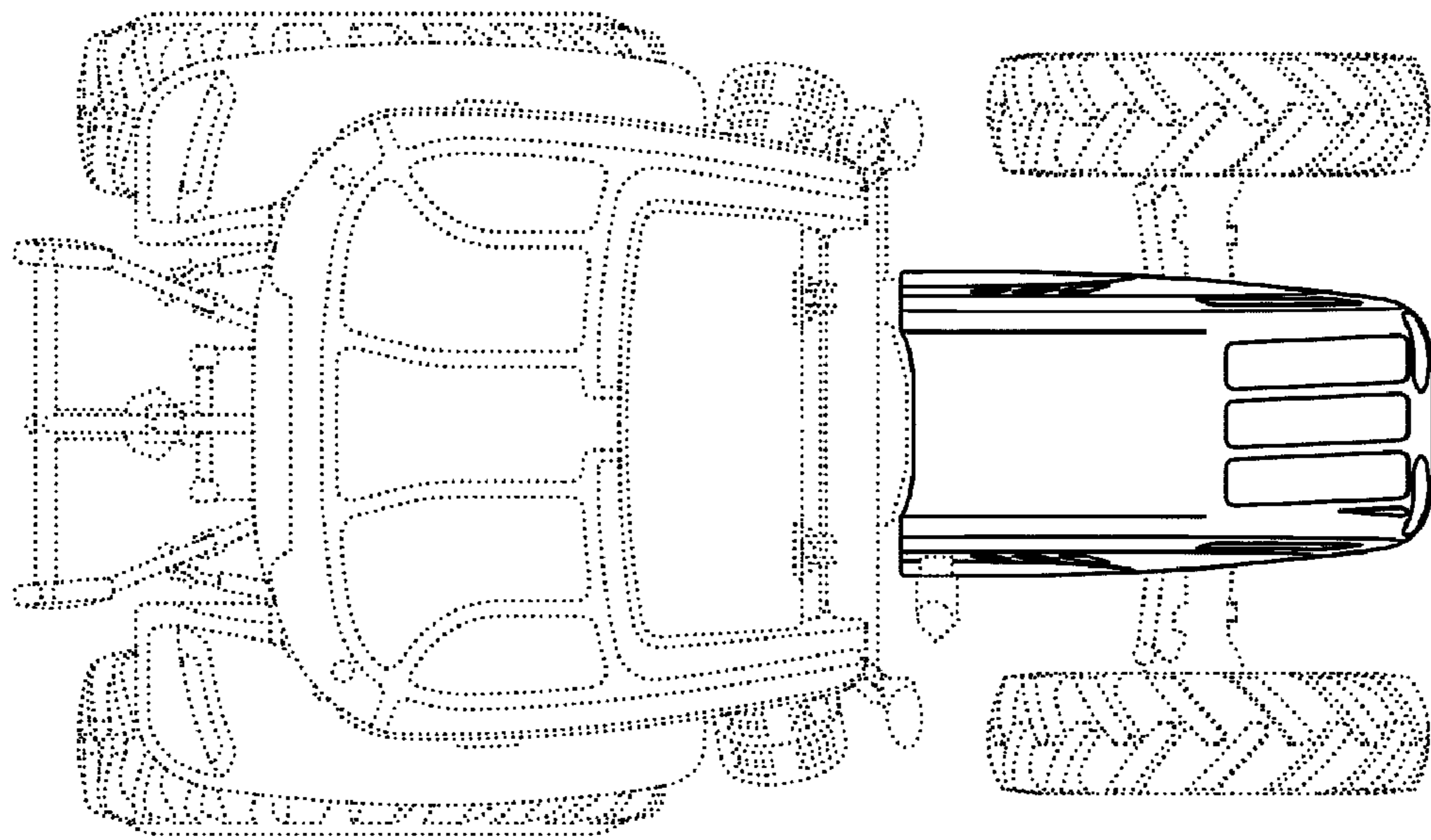


FIG. 6

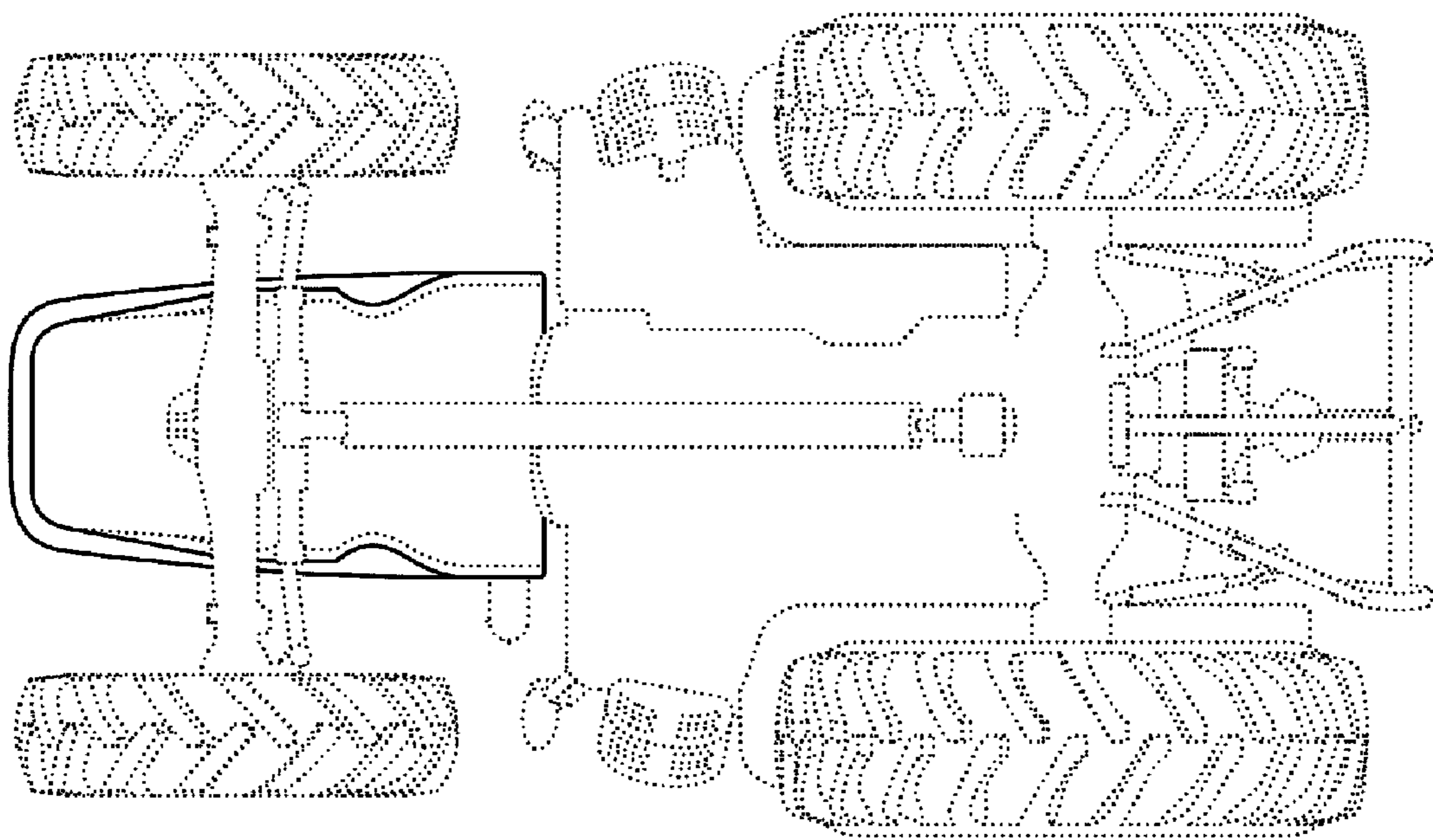


FIG. 7