



US00D655316S

(12) **United States Design Patent**  
**Moriguchi et al.**

(10) **Patent No.:** **US D655,316 S**  
(45) **Date of Patent:** **\*\* Mar. 6, 2012**

(54) **LAWN MOWER**

D512,444 S \* 12/2005 Ayers et al. .... D15/15  
D560,690 S \* 1/2008 Higashikawa ..... D15/10  
D626,572 S \* 11/2010 Moriguchi et al. .... D15/15

(75) Inventors: **Kazuma Moriguchi**, Kita-ku (JP);  
**Tomoyuki Ebihara**, Kita-ku (JP);  
**Masafumi Yasaka**, Kita-ku (JP)

**FOREIGN PATENT DOCUMENTS**

(73) Assignee: **Yanmar Co., Ltd.**, Osaka (JP)

JP 1268354 4/2006  
JP 1388349 5/2010

(\*\*) Term: **14 Years**

\* cited by examiner

(21) Appl. No.: **29/396,481**

*Primary Examiner* — Mark Goodwin

(22) Filed: **Jun. 30, 2011**

(74) *Attorney, Agent, or Firm* — Birch, Stewart, Kolasch & Birch, LLP

(51) **LOC (9) Cl.** ..... **15-03**

(57) **CLAIM**

(52) **U.S. Cl.** ..... **D15/15**

The ornamental design for a lawn mower, as shown and described.

(58) **Field of Classification Search** ..... D15/10,

D15/14–18, 22–26, 33; 56/12.8, 12.7, 13.4,  
56/16.7, 17.5, 202, 254, 255, 294, 11.4, 320.1,  
56/320.2, 249, 252, 11.9, 17.1, 17.4, 295,  
56/15.8, 13.3, 10.1, 15.9; 280/43.17; 180/69.2,  
180/89.1, 89.12, 900, 273

**DESCRIPTION**

See application file for complete search history.

FIG. 1 is a front view of a lawn mower showing my new design;  
FIG. 2 is a rear view thereof;  
FIG. 3 is a top plan view thereof;  
FIG. 4 is a bottom plan view thereof;  
FIG. 5 is a right side view thereof;  
FIG. 6 is a left side view thereof; and,  
FIG. 7 is a front, right perspective view thereof.

The portions of the drawings illustrated in broken lines are directed to the environment and form no part of the claimed design.

(56) **References Cited**

**U.S. PATENT DOCUMENTS**

D359,740 S \* 6/1995 Crosby et al. .... D15/15  
5,816,033 A \* 10/1998 Busboom et al. .... 56/10.8  
D409,208 S \* 5/1999 Eavenson et al. .... D15/15  
D450,330 S \* 11/2001 Katoh et al. .... D15/15  
D486,160 S \* 2/2004 Higashikawa et al. .... D15/15  
D495,718 S \* 9/2004 Higashikawa ..... D15/15

**1 Claim, 7 Drawing Sheets**

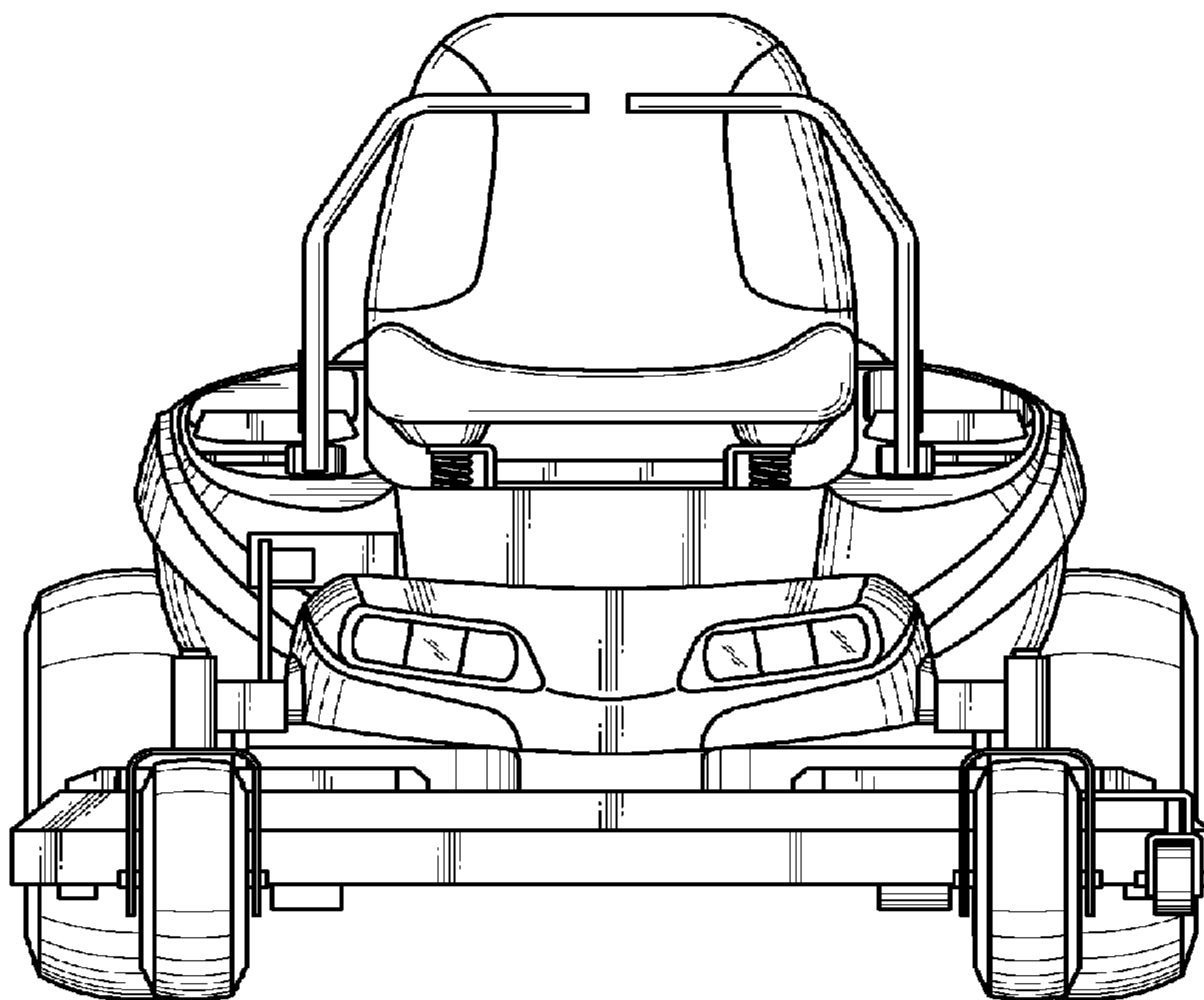


FIG. 1

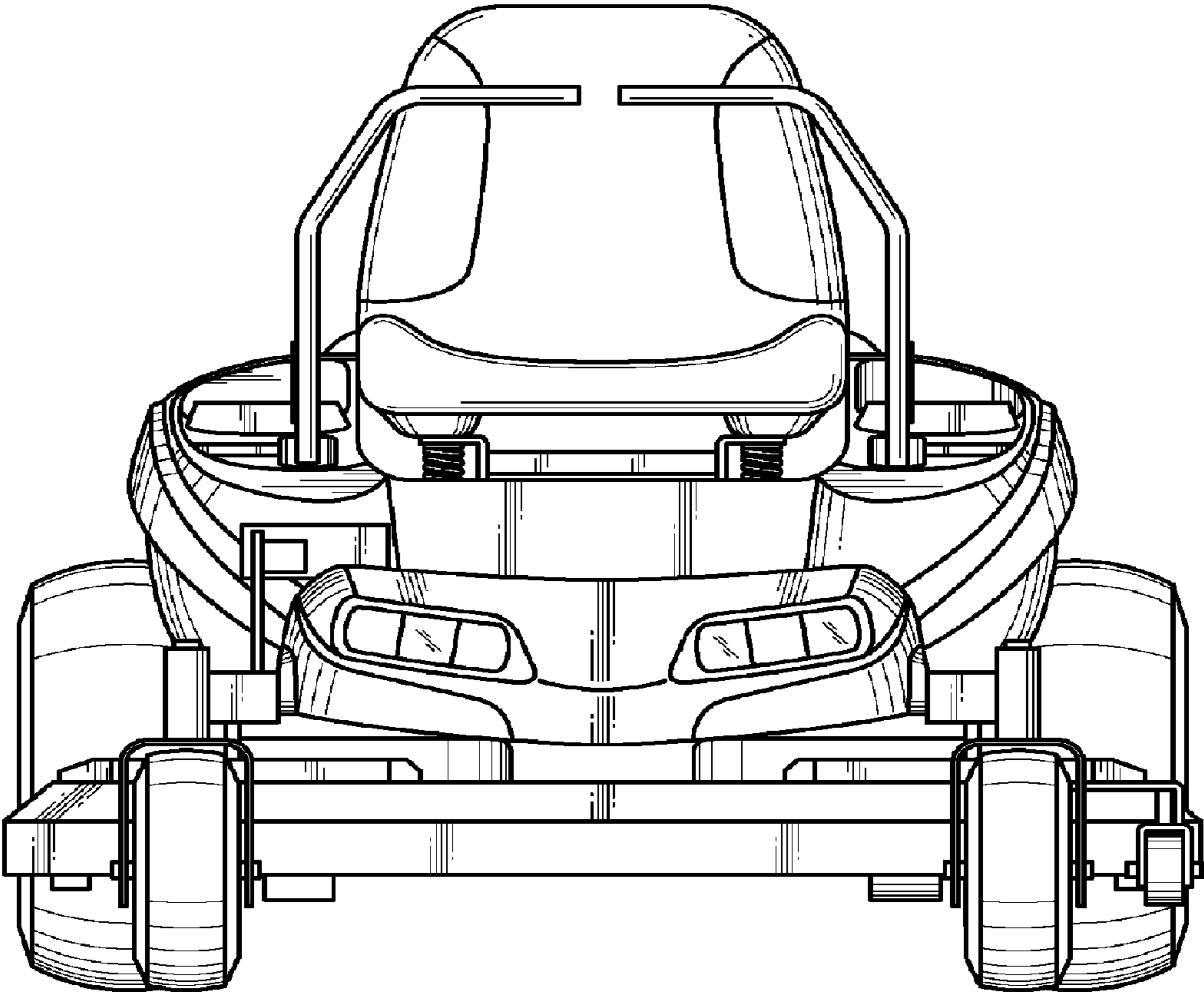


FIG.2

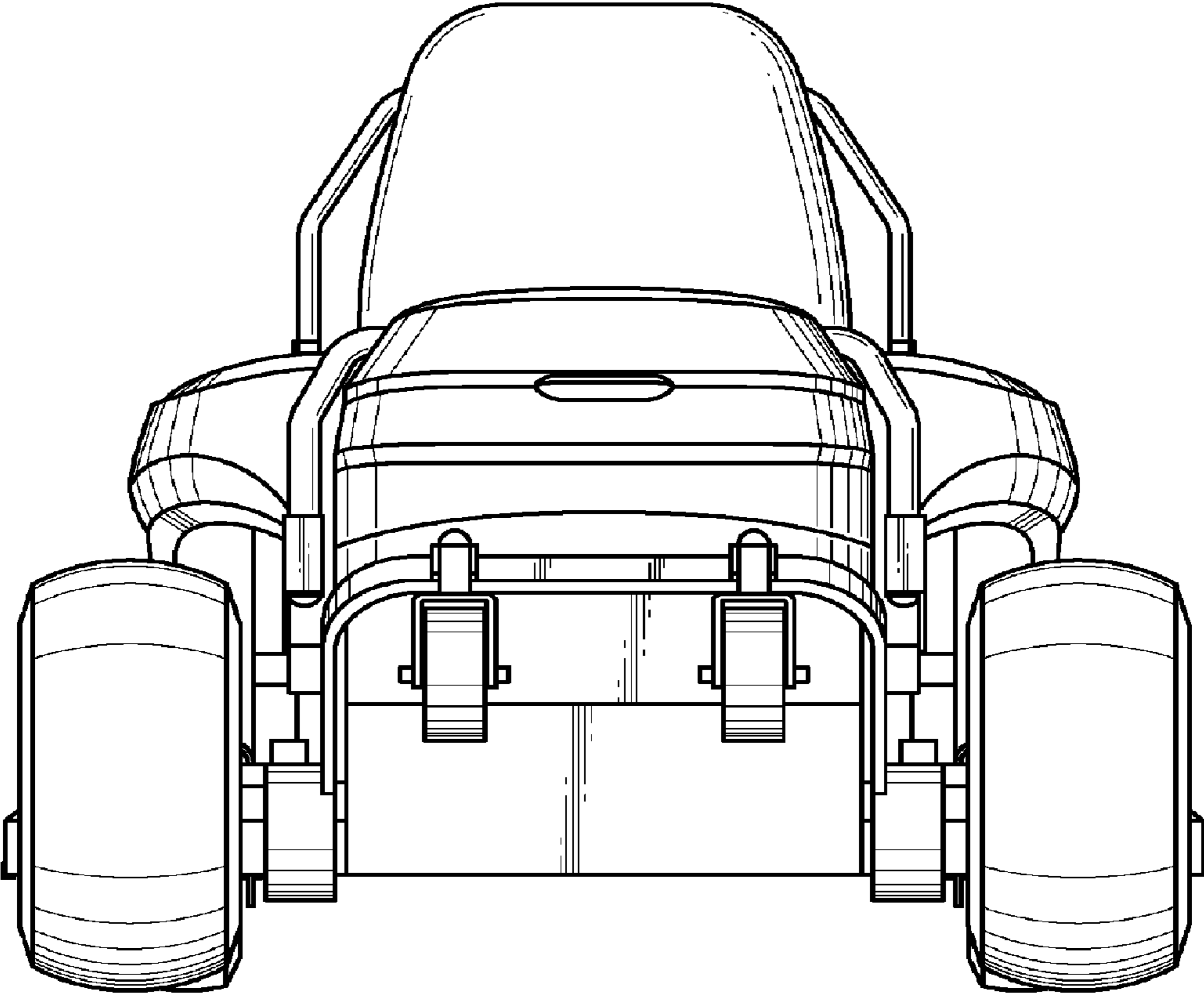


FIG. 3

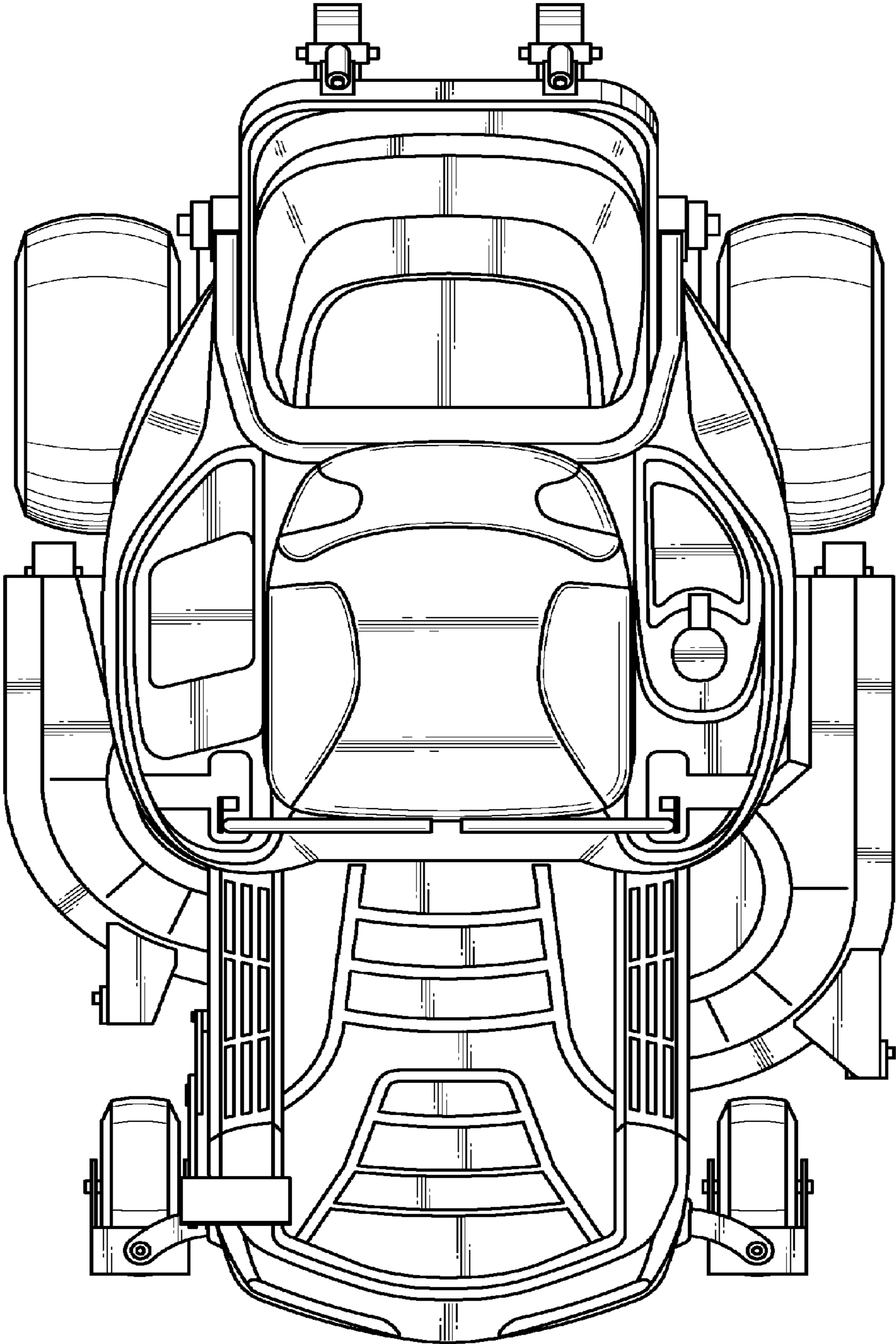


FIG. 4

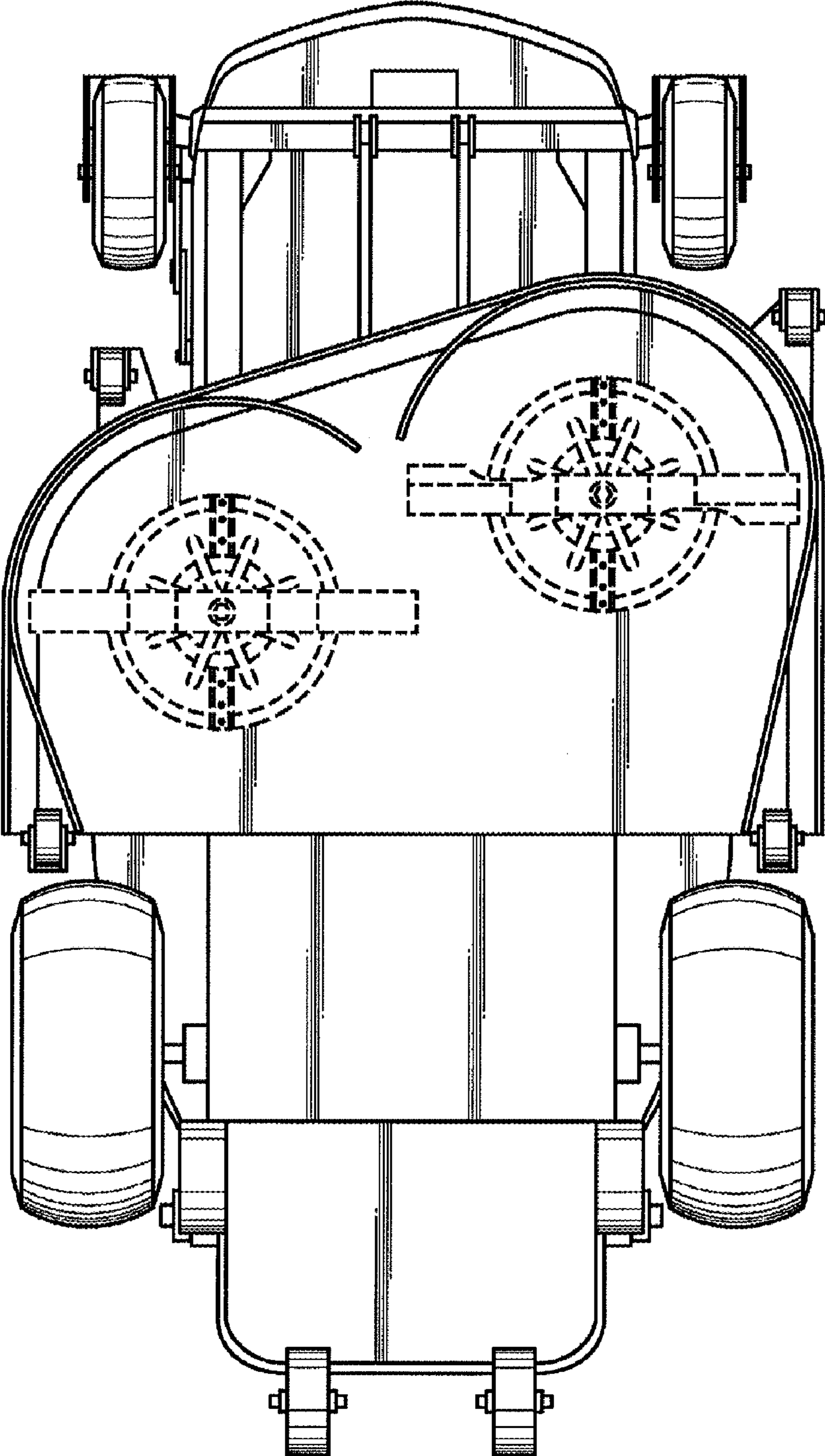




FIG. 5

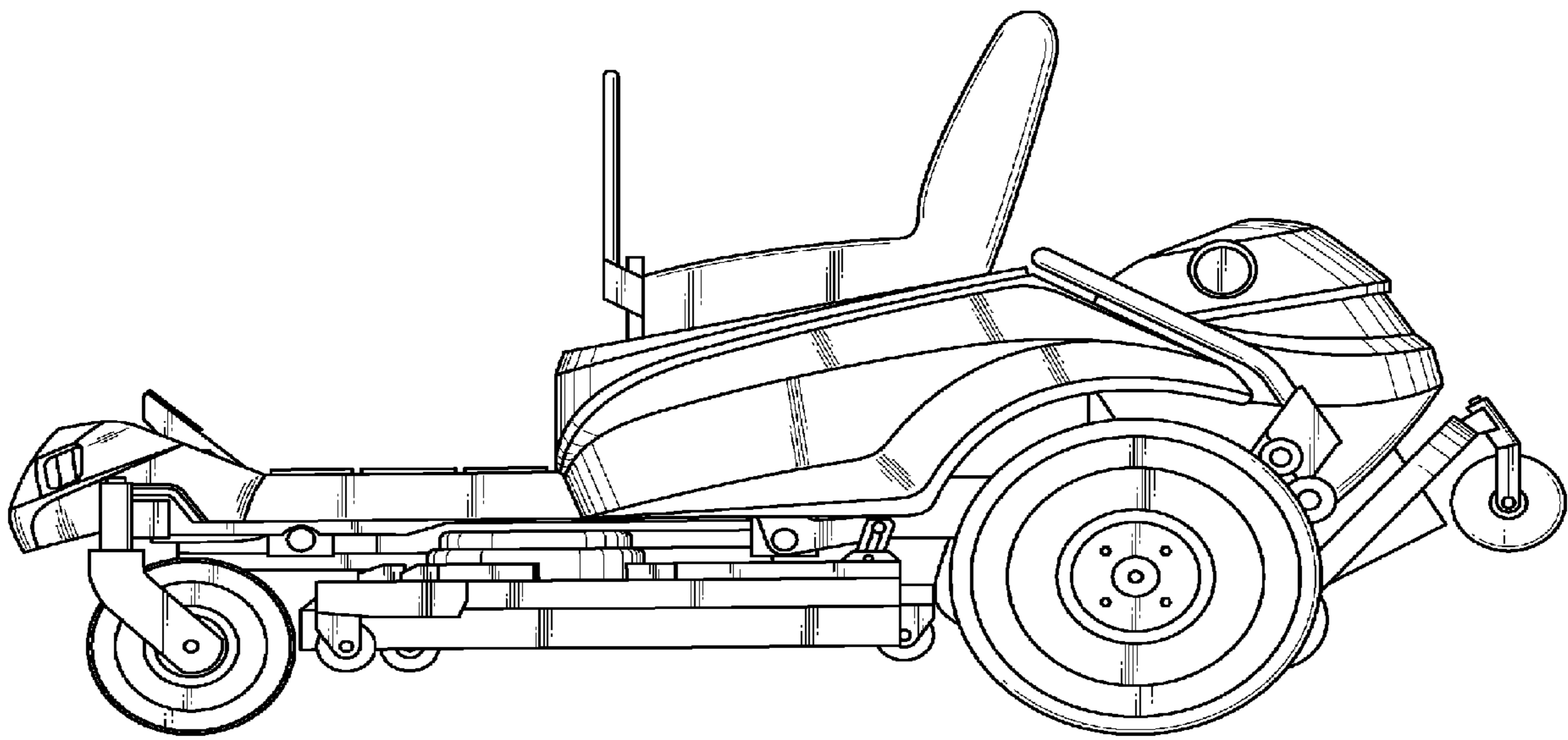


FIG. 6

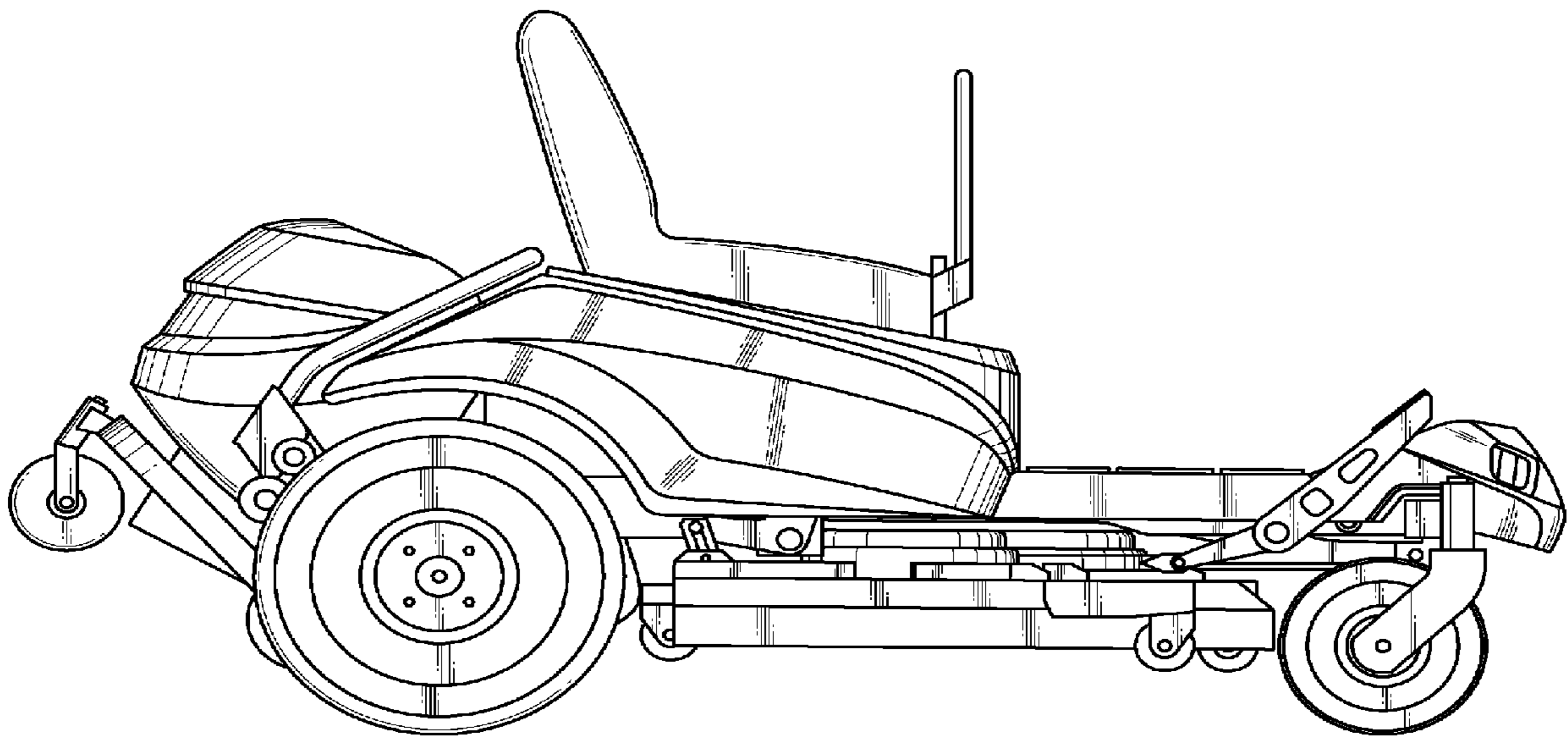


FIG. 7

