



US00D655315S

(12) **United States Design Patent**
Helgesson et al.

(10) **Patent No.:** **US D655,315 S**
(45) **Date of Patent:** **** Mar. 6, 2012**

(54) **FUEL DISPENSER**

(75) Inventors: **Hanna Helgesson**, Malmo (SE); **Annika Birkler**, Malmo (SE); **Bengt I. Larsson**, Skivarp (SE); **Scott R. Negley, III**, Austin, TX (US); **Neil Thomas**, Austin, TX (US); **Kevin Burnett**, Round Rock, TX (US); **Gian Pangaro**, St. Somerville, MA (US); **Gen Suzuki**, Cambridge, MA (US); **Jason Robinson**, Tewksbury, MA (US); **Timothy Raymond Proulx**, Nashua, NH (US)

(73) Assignee: **Dresser Wayne AB**, Malmo (SE)

(**) Term: **14 Years**

(21) Appl. No.: **29/359,682**

(22) Filed: **Apr. 14, 2010**

(30) **Foreign Application Priority Data**

Oct. 16, 2009 (EM) 1172068-0015
Oct. 16, 2009 (EM) 1172068-0018
Oct. 16, 2009 (EM) 1172068-0019
Oct. 16, 2009 (EM) 1172068-0021
Oct. 16, 2009 (EM) 1172068-0042

(51) **LOC (9) Cl.** **15-02**

(52) **U.S. Cl.** **D15/9.1**

(58) **Field of Classification Search** D15/7-9.3;
D23/231, 232, 225; 417/60, 235, 265, 321,
417/355, 358, 363, 359, 410.1, 415-416,
417/405, 900; 60/408, 412; 184/26-37;
415/140-147; 123/495, 509

See application file for complete search history.

(56) **References Cited**

U.S. PATENT DOCUMENTS

D271,696 S * 12/1983 Todd D15/9.2
D430,577 S * 9/2000 Taylor et al. D15/9.2
D434,424 S * 11/2000 Wilson et al. D15/9.2

D438,216 S * 2/2001 Taylor et al. D15/9.1
D454,421 S 3/2002 Jeon et al.
D481,516 S 10/2003 Magee et al.
D481,517 S 10/2003 Magee et al.
D481,518 S 10/2003 Magee et al.
D485,417 S 1/2004 Magee et al.
D487,834 S 3/2004 Zerman et al.
D488,280 S 4/2004 Zerman et al.
D492,081 S 6/2004 Magee et al.
D500,905 S 1/2005 Magee et al.
D602,225 S 10/2009 Lute et al.
D623,375 S 9/2010 Douglass et al.
D625,305 S 10/2010 Bleck et al.
D628,764 S 12/2010 Bleck et al.
D629,585 S 12/2010 Bleck et al.
D631,634 S 1/2011 Bleck et al.
2010/0161489 A1 6/2010 Goodall et al.
2010/0176191 A1 7/2010 Ramachandran et al.
2010/0187299 A1 7/2010 Block et al.

(Continued)

OTHER PUBLICATIONS

“Tokheim Quantum 500T” [online] [Retrieved on Jul. 27, 2010]; Retrieved from the Internet URL: <http://www.tokheim.com/main/index1.php?url=130&lq=>.

(Continued)

Primary Examiner — Ralf Seifert

(74) *Attorney, Agent, or Firm* — Woodcock Washburn LLP

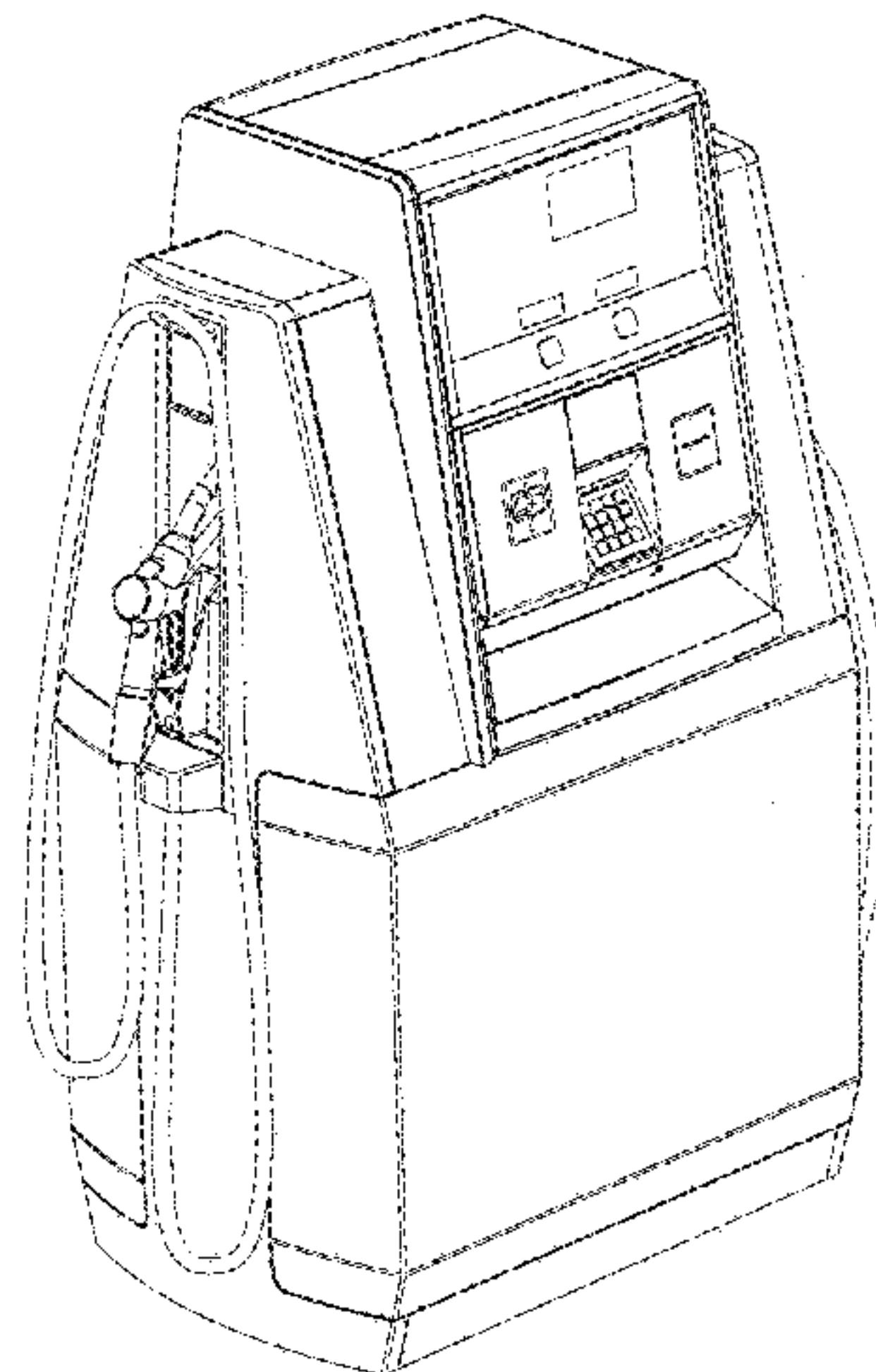
(57) **CLAIM**

The ornamental design for a fuel dispenser, substantially as shown and described.

DESCRIPTION

FIG. 1 is a perspective view from above illustrating the front and right side of a first embodiment of a fuel dispenser; FIG. 2 is a front view thereof; FIG. 3 is a right side view thereof; FIG. 4 is a rear view thereof; FIG. 5 is a left side view thereof; and, FIG. 6 is a top view thereof.

1 Claim, 6 Drawing Sheets



U.S. PATENT DOCUMENTS

2010/0187300 A1 7/2010 Ramachandran et al.
 2010/0241564 A1 9/2010 Miller et al.
 2010/0243729 A1 9/2010 Russell et al.
 2010/0258621 A1 10/2010 Schlabach et al.

OTHER PUBLICATIONS

“Tokheim Quantum 400T” [online] [Retrieved on Jul. 27, 2010]; Retrieved from the Internet URL: <http://www.tokheim.com/main/index1.php?url=131&lg=>.

“Tokheim Quantum 300T” [online] [Retrieved on Jul. 27, 2010]; Retrieved from the Internet URL: <http://www.tokheim.com/main/index1.php?url=&lg=>.

“Tokheim Quantum 200T” [online] [Retrieved on Jul. 27, 2010]; Retrieved from the Internet URL: <http://www.tokheim.com/main/index1.php?url=133&lg=>.

“Tokheim Quantum 100T” [online] [Retrieved on Jul. 27, 2010]; Retrieved from the Internet URL: <http://www.tokheim.com/main/index1.php?url=134&lg=>.

“Bennett Pacific Series Retail Multi-Product Dispensers” [online] [Retrieved on Jul. 27, 2010]; Retrieved from the Internet URL: <http://www.bennettpump.com/products/pacific-series>.

“Bennett BlueFueler Series Diesel Exhaust Fluid Dispensers” [online] [Retrieved on Jul. 27, 2010]; Retrieved from the Internet URL: <http://www.bennettpump.com/products/def>.

Bennett Big Squirt High Speed Truck Stop Fueling: [online] [Retrieved on Jul. 27, 2010]; Retrieved from the Internet URL: <http://www.bennettpump.com/products/big-squirt>.

“Bennett Horizon2 Series Retail Multi-Product Dispensers/Pumps”: [online] [Retrieved on Jul. 28, 2010]; Retrieved from the Internet URL: <http://www.bennettpump.com/products/horizon2-series>.

“Bennett Special Retail Applications 3000 Series Retail Single and Dual Dispensers/Pumps”: [online] [Retrieved on Jul. 28, 2010]; Retrieved from the Internet URL: <http://www.bennettpump.com/products/special-retail-applications>.

“Bennett Commercial Industrial Fleet Fueling”: [online] [Retrieved on Jul. 28, 2010]; Retrieved from the Internet URL: <http://www.bennettpump.com/products/commercial-industrial-fleet-fueling>.

Dresser Wayne, *Harmony Series Dispensers Parts Manual*, Part No. 920640 Rev A, Mar. 2002, cover page.

“Dresser Wayne Ovation LX”: [online] [Retrieved on Jul. 28, 2010]; Retrieved from the Internet URL: <http://www.wayne.com/index.cfm/go/product-detail/product/Ovation-LX/>.

“Dresser Wayne Ovation”: [online] [Retrieved on Jul. 28, 2010]; Retrieved from the Internet URL: <http://www.wayne.com/index.cfm/go/product-detail/product/ovation/>.

“Dresser Wayne Global Ovation iX”: [online] [Retrieved on Jul. 28, 2010]; Retrieved from the Internet URL: <http://www.wayne.com/index.cfm/go/product-detail/product/global-ovation-ix/>.

“Dresser Wayne Global Star V”: [online] [Retrieved on Jul. 28, 2010]; Retrieved from the Internet URL: <http://www.wayne.com/index.cfm/go/product-detail/product/global-star/>.

“Dresser Wayne Global Star LPG”: [online] [Retrieved on Jul. 28, 2010]; Retrieved from the Internet URL: <http://www.wayne.com/index.cfm/go/product-detail/product/global-star-lpg/>.

“Dresser Wayne Vista”: [online] [Retrieved on Jul. 28, 2010]; Retrieved from the Internet URL: <http://www.wayne.com/index.cfm/go/product-detail/product/Vista/>.

“Dresser Wayne HS Vista”: [online] [Retrieved on Aug. 4, 2010]; Retrieved from the Internet URL: <http://www.wayne.com/index.cfm/go/product-detail/product/hs-vista/>.

“Dresser Wayne Global Vista”: [online] [Retrieved on Sep. 1, 2010]; Retrieved from the Internet URL: <http://www.wayne.com/index.cfm/go/product-detail/product/global-vista/>.

“Dresser Wayne Century”: [online] [Retrieved on Sep. 1, 2010]; Retrieved from the Internet URL: [http://www.wayne.com/index.cfm/go/product-detail/product/century-\(na\)/](http://www.wayne.com/index.cfm/go/product-detail/product/century-(na)/).

“Dresser Wayne Global Century”: [online] [Retrieved on Sep. 1, 2010]; Retrieved from the Internet URL: <http://www.wayne.com/index.cfm/go/product-detail/product/Global%20Century%20Fuel%20Dispenser/>.

“Dresser Wayne Vista—China Edition”: [online] [Retrieved on Sep. 1, 2010]; Retrieved from the Internet URL: <http://www.wayne.com/index.cfm/go/product-detail/product/china%20vista/>.

“Dresser Wayne Century—China Edition”: [online] [Retrieved on Sep. 1, 2010]; Retrieved from the Internet URL: <http://www.wayne.com/index.cfm/go/product-detail/product/china%20century/>.

“Dresser Wayne DEF Dispenser”: [online] [Retrieved on Sep. 1, 2010]; Retrieved from the Internet URL: <http://www.wayne.com/index.cfm/go/product-detail/product/DEF-Dispenser/>.

“Gilbarco Encore S”: [online] [Retrieved on Sep. 1, 2010]; Retrieved from the Internet URL: <http://www.gilbarco.com/page/EncoreS>.

“Gilbarco Encore 300”: [online] [Retrieved on Sep. 1, 2010]; Retrieved from the Internet URL: http://www.gilbarco.com/object/encore_300_dispensers.html.

“Gilbarco Encore Ultra-Hi Flow”: [online] [Retrieved on Sep. 1, 2010]; Retrieved from the Internet URL: http://www.gilbarco.com/object/Encore_300_Ultra-Hi_Flow.html.

“Gilbarco Performer”: [online] [Retrieved on Sep. 1, 2010]; Retrieved from the Internet URL: <http://www.gilbarco.com/page/Performer>.

“Gilbarco Legacy Series—Mechanical”: [online] [Retrieved on Sep. 1, 2010]; Retrieved from the Internet URL: http://www.gilbarco.com/object/Legacy_Series_Mechanical_context.

“Gilbarco Legacy Series—Electronic”: [online] [Retrieved on Sep. 1, 2010]; Retrieved from the Internet URL: http://www.gilbarco.com/page/Legacy_Electronic.

“Gilbarco Encore”, publication at least as early as Jul. 2010.

“Tokheim Premier C”: [online] [Retrieved on Oct. 8, 2010]; Retrieved from the Internet URL: <http://www.graffco.com/T%20Premier%20C%20Blender.htm>.

“Tokheim Quantum 500T” [online], published at least as early as Apr. 13, 2010, [Retrieved on Jul. 27, 2010]; Retrieved from the Internet URL: <http://www.tokheim.com/main/index1.php?url=130&lg=>.

“Tokheim Quantum 400T” [online], published at least as early as Apr. 13, 2010, [Retrieved on Jul. 27, 2010]; Retrieved from the Internet URL: <http://www.tokheim.com/main/index1.php?url=131&lg=>.

“Tokheim Quantum 300T” [online], published at least as early as Apr. 13, 2010, [Retrieved on Jul. 27, 2010]; Retrieved from the Internet URL: <http://www.tokheim.com/main/index1.php?url=132&lg=>.

“Tokheim Quantum 200T” [online], published at least as early as Apr. 13, 2010, [Retrieved on Jul. 27, 2010]; Retrieved from the Internet URL: <http://www.tokheim.com/main/index1.php?url=133&lg=>.

“Tokheim Quantum 100T” [online], published at least as early as Apr. 13, 2010, [Retrieved on Jul. 27, 2010]; Retrieved from the Internet URL: <http://www.tokheim.com/main/index1.php?url=134&lg=>.

“Bennett Pacific Series Retail Multi-Product Dispensers” [online], published at least as early as Apr. 13, 2010, [Retrieved on Jul. 27, 2010]; Retrieved from the Internet URL: <http://www.bennettpump.com/products/pacific-series>.

“Bennett BlueFueler Series Diesel Exhaust Fluid Dispensers” [online], published at least as early as Apr. 13, 2010, [Retrieved on Jul. 27, 2010]; Retrieved from the Internet URL: <http://www.bennettpump.com/products/def>.

Bennett Big Squirt High Speed Truck Stop Fueling: [online], published at least as early as Apr. 13, 2010, [Retrieved on Jul. 27, 2010]; Retrieved from the Internet URL: <http://www.bennettpump.com/products/big-squirt>.

“Bennett Horizon2 Series Retail Multi-Product Dispensers/Pumps”: [online], published at least as early as Apr. 13, 2010, [Retrieved on Jul. 28, 2010]; Retrieved from the Internet URL: <http://www.bennettpump.com/products/horizon2-series>.

“Bennett Special Retail Applications 3000 Series Retail Single and Dual Dispensers/Pumps”: [online], published at least as early as Apr. 13, 2010, [Retrieved on Jul. 28, 2010]; Retrieved from the Internet URL: <http://www.bennettpump.com/products/special-retail-applications>.

“Bennett Commercial Industrial Fleet Fueling”: [online], published at least as early as Apr. 13, 2010, [Retrieved on Jul. 28, 2010];

Retrieved from the Internet URL: <http://www.bennettpump.com/products/commercial-industrial-fleet-fueling>.

“Dresser Wayne Ovation LX”: [online], published at least as early as Apr. 13, 2010, [Retrieved on Jul. 28, 2010]; Retrieved from the Internet URL: <http://www.wayne.com/index.cfm/go/product-detail/product/Ovation-LX/>.

“Dresser Wayne Ovation”: [online], published at least as early as Apr. 13, 2010, [Retrieved on Jul. 28, 2010]; Retrieved from the Internet URL: <http://www.wayne.com/index.cfm/go/product-detail/product/ovation/>.

“Dresser Wayne Global Ovation iX”: [online], published at least as early as Apr. 13, 2010, [Retrieved on Jul. 28, 2010]; Retrieved from the Internet URL: <http://www.wayne.com/index.cfm/go/product-detail/product/global-ovation-ix/>.

“Dresser Wayne Global Star V”: [online], published at least as early as Apr. 13, 2010, [Retrieved on Jul. 28, 2010]; Retrieved from the Internet URL: <http://www.wayne.com/index.cfm/go/product-detail/product/global-star/>.

“Dresser Wayne Global Star LPG”: [online], published at least as early as Apr. 13, 2010, [Retrieved on Jul. 28, 2010]; Retrieved from the Internet URL: <http://www.wayne.com/index.cfm/go/product-detail/product/global-star-lpg/>.

“Dresser Wayne Vista”: [online], published at least as early as Apr. 13, 2010, [Retrieved on Jul. 28, 2010]; Retrieved from the Internet URL: <http://www.wayne.com/index.cfm/go/product-detail/product/Vista/>.

“Dresser Wayne HS Vista”: [online], published at least as early as Apr. 13, 2010, [Retrieved on Aug. 4, 2010]; Retrieved from the Internet URL: <http://www.wayne.com/index.cfm/go/product-detail/product/hs-vista/>.

“Dresser Wayne Global Vista”: [online], published at least early as Apr. 13, 2010, [Retrieved on Sep. 1, 2010]; Retrieved from the Internet URL: <http://www.wayne.com/index.cfm/go/product-detail/global-vista/>.

“Dresser Wayne Century”: [online], published at least as early as Apr. 13, 2010, [Retrieved on Sep. 1, 2010]; Retrieved from the Internet URL: [http://www.wayne.com/index.cfm/go/product-detail/product/century-\(na\)](http://www.wayne.com/index.cfm/go/product-detail/product/century-(na)).

“Dresser Wayne Global Century”: [online], published at least as early as Apr. 13, 2010, [Retrieved on Sep. 1, 2010]; Retrieved from the Internet URL: <http://www.wayne.com/index.cfm/go/product-detail/product/Global%20Century%20Fuel%20Dispenser/>.

“Dresser Wayne Century G1000”: [online], published at least as early as Apr. 13, 2010, [Retrieved on Sep. 1, 2010]; Retrieved from the Internet URL: <http://www.wayne.com/index.cfm/go/product-detail/product-g1000/>.

“Dresser Wayne Vista—China Edition”: [online], published at least as early as Apr. 13, 2010, [Retrieved on Sep. 1, 2010]; Retrieved from the Internet URL: <http://www.wayne.com/index.cfm/go/product-detail/product/china%20vista/>.

“Dresser Wayne Century—China Edition”: [online], published at least as early as Apr. 13, 2010, [Retrieved on Sep. 1, 2010]; Retrieved from the Internet URL: <http://www.wayne.com/index.cfm/go/product-detail/product/china%20century/>.

“Dresser Wayne DEF Dispenser”: [online], published at least as early as Apr. 13, 2010, [Retrieved on Sep. 1, 2010]; Retrieved from the Internet URL: <http://www.wayne.com/index.cfm/go/product-detail/product/DEF-Dispenser/>.

“Gilbarco Encore S”: [online], published at least as early as Apr. 13, 2010, [Retrieved on Sep. 1, 2010]; Retrieved from the Internet URL: <http://www.gilbarco.com/page/EncoreS>.

“Gilbarco Encore 300”: [online], published at least as early as Apr. 13, 2010, [Retrieved on Sep. 1, 2010]; Retrieved from the Internet URL: http://www.gilbarco.com/object/encore_300_dispensers.html.

“Gilbarco Encore Ultra-Hi Flow”: [online], published at least as early as Apr. 13, 2010, [Retrieved on Sep. 1, 2010]; Retrieved from the Internet URL: http://www.gilbarco.com/object/Encore_300_Ultra-Hi_Flow.html.

“Gilbarco Performer”: [online], published at least as early as Apr. 13, 2010, [Retrieved on Sep. 1, 2010]; Retrieved from the Internet URL: <http://www.gilbarco.com/page/Performer>.

“Gilbarco Legacy Series—Mechanical”: [online], published at least as early as Apr. 13, 2010, [Retrieved on Sep. 1, 2010]; Retrieved from the Internet URL: http://www.gilbarco.com/object/Legacy_Series_Mechanical_context.

“Gilbarco Legacy Series—Electronic”: [online], published at least as early as Apr. 13, 2010, [Retrieved on Sep. 1, 2010]; Retrieved from the Internet URL: http://www.gilbarco.com/page/Legacy_Electronic.

“Gilbarco Encore”, publication at least as early as Apr. 13, 2010; www.mecoatlanta.com.

“Tokheim Premier C”: [online], published at least as early as Apr. 13, 2010, [Retrieved on Oct. 8, 2010]; Retrieved from the Internet URL: <http://www.graffco.com/T%20Premier%20C%20Blender.htm>.

“Gilbarco Encore 300”, publication at least as early as Apr. 2008; www.mecoatlanta.com, [Retrieved on Oct. 12, 2010]; Retrieved from the Internet URL: www.archive.org.

“Tokheim Crypto VGA” [online], published at least as early as Oct. 16, 2009, Retrieved from the Internet URL: <http://www.tokheim.com/main/index1.php?url=25&lg>.

“Petrotec Genesys OPT” [online], published at least as early as Oct. 16, 2009, Retrieved from the Internet URL: <http://www.petrotec.pt/index.php?id=74&tb1=registos&id2=201>.

“Hectronic Hecstar” [online], published at least as early as Oct. 16, 2009, Retrieved from the Internet URL: <http://www.hectronic.com/en/products/refuelling/autofuel-systems/hectstar/>.

“Hectronic Hecfleet” [online], published at least as early as Oct. 16, 2009, Retrieved from the Internet URL: <http://www.hectronic.com/en/products/refuelling/autofuel-systems/hecfleet/>.

“Gilbarco Autotank FlexPay NP3” [online], published at least as early as Oct. 16, 2009, Retrieved from the Internet URL: http://www.autotank.com/product_29.aspx.

“Gilbarco Autotank FlexPay SK3” [online], published at least as early as Oct. 16, 2009, Retrieved from the Internet URL: http://www.autotank.com/product_30.aspx.

“Gilbarco Autotank FlexPay B2B” [online], published at least as early as Oct. 16, 2009, Retrieved from the Internet URL: http://www.autotank.com/product_28.aspx.

“Hectronic The different way. In the thick of it. And refreshingly different.” [online], published at least as early as Oct. 16, 2009, Retrieved from the Internet URL: http://www.hectronic.com/en/nc/documentation/company/?tx_drblob_pil%5BdownloadUid%5D=609.

Dresser Wayne Pignone, *Global Star HH and LHR, Global technology for multiproduct dispensers*, Global Star HH/LHR—4 pages—480291 GB, Revision Date Jul. 6, 2004; publication date at least as early as Oct. 14, 2009.

Dresser Wayne, *Reliance™ Series Fleet Pumps & Dispensers, A Reliable Solution for Fleet Fueling*, Reliance-4 G6200 PN 920800 Rev B 4/05; publication date at least as early as Oct. 14, 2009.

Dresser Wayne, *Select Series Fleet Pumps & Dispensers, Advanced Technology for Fleet Fueling*, Select-4 G7200 PN 920801 B 4/05; publication date at least as early as Oct. 14, 2009.

Dresser Wayne Pignone, *Global Star SCR Dispenser*, Global Star for SCR—2 pages—480292 GB, Revision Date Jul. 14, 2004; publication date at least as early as Oct. 14, 2009.

Dresser Wayne, *Vista Series Pumps & Dispensers, Unmatched Flexibility in Forecourt Equipment Solutions*, Vista-4 PN 920778, Rev. B 4/05; publication date at least as early as Oct. 14, 2009.

Dresser Wayne, *3/G 3000, Global Century High Hose Multi-Grade/Multi-Product Dispensers, Increased flexibility using less island space*; publication date at least as early as Oct. 14, 2009.

Dresser Wayne Pignone, *DPXF CNG model dispenser, Compressed Natural Gas (CNG) dispenser*, DPX-F CNG dispenser—Code TLO 29082—Revision 0—Sep. 2004; publication date at least as early as Oct. 14, 2009.

Dresser Wayne Pignone, *DPX-A model fuel dispenser, Multiproduct typeDPX-A fuel dispenser—Code TLO 29079—Revision 0—Sep. 2004; publication date at least as early as Oct. 14, 2009.*

Dresser Wayne, *Ovation™ Series Dispensers, Leading the Industry in Technology and Evolutionary Design*, Ovation-4 PN 920777 Rev B 4/05; publication date at least as early as Oct. 14, 2009.

* cited by examiner

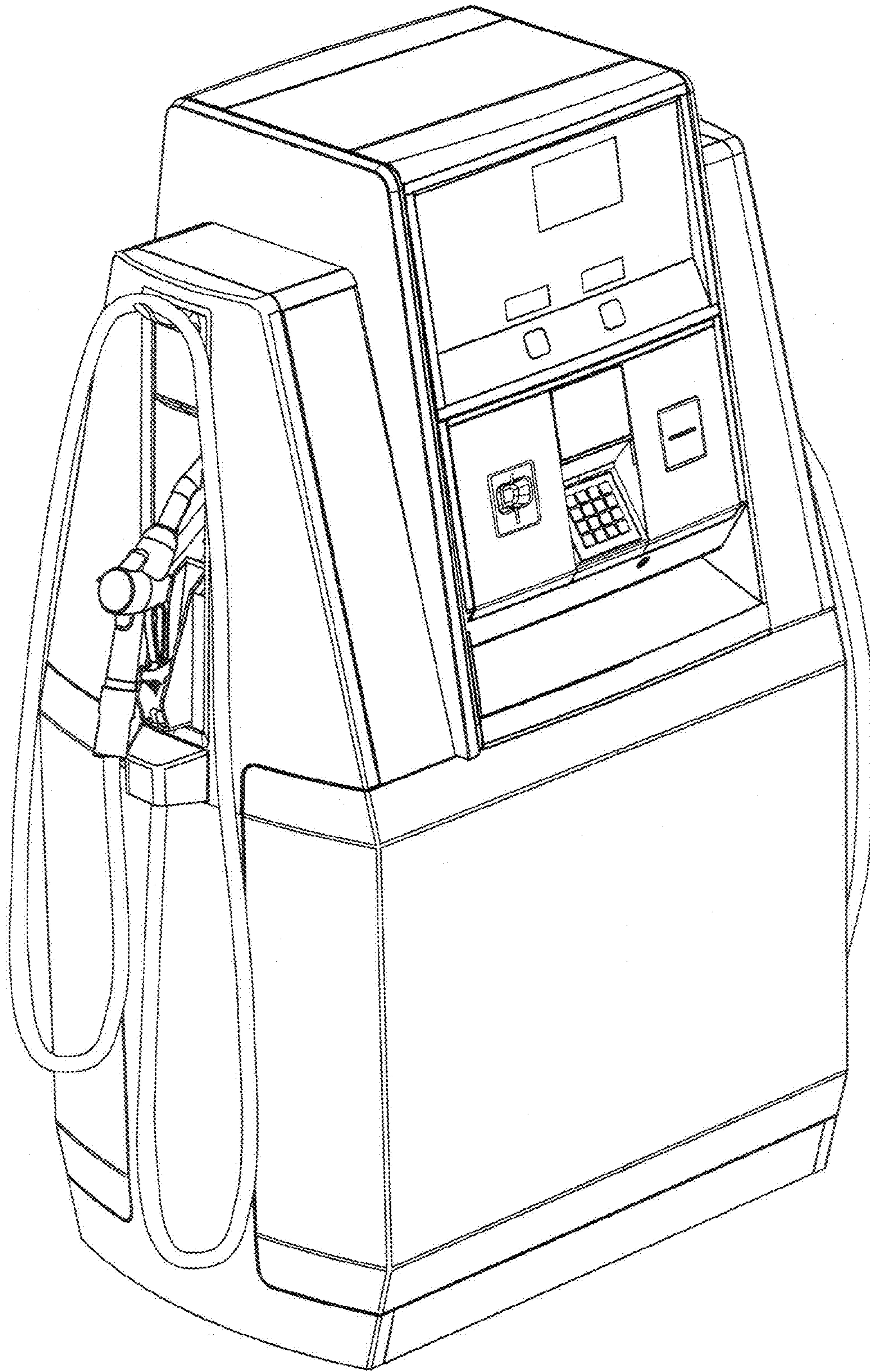


FIG. 1

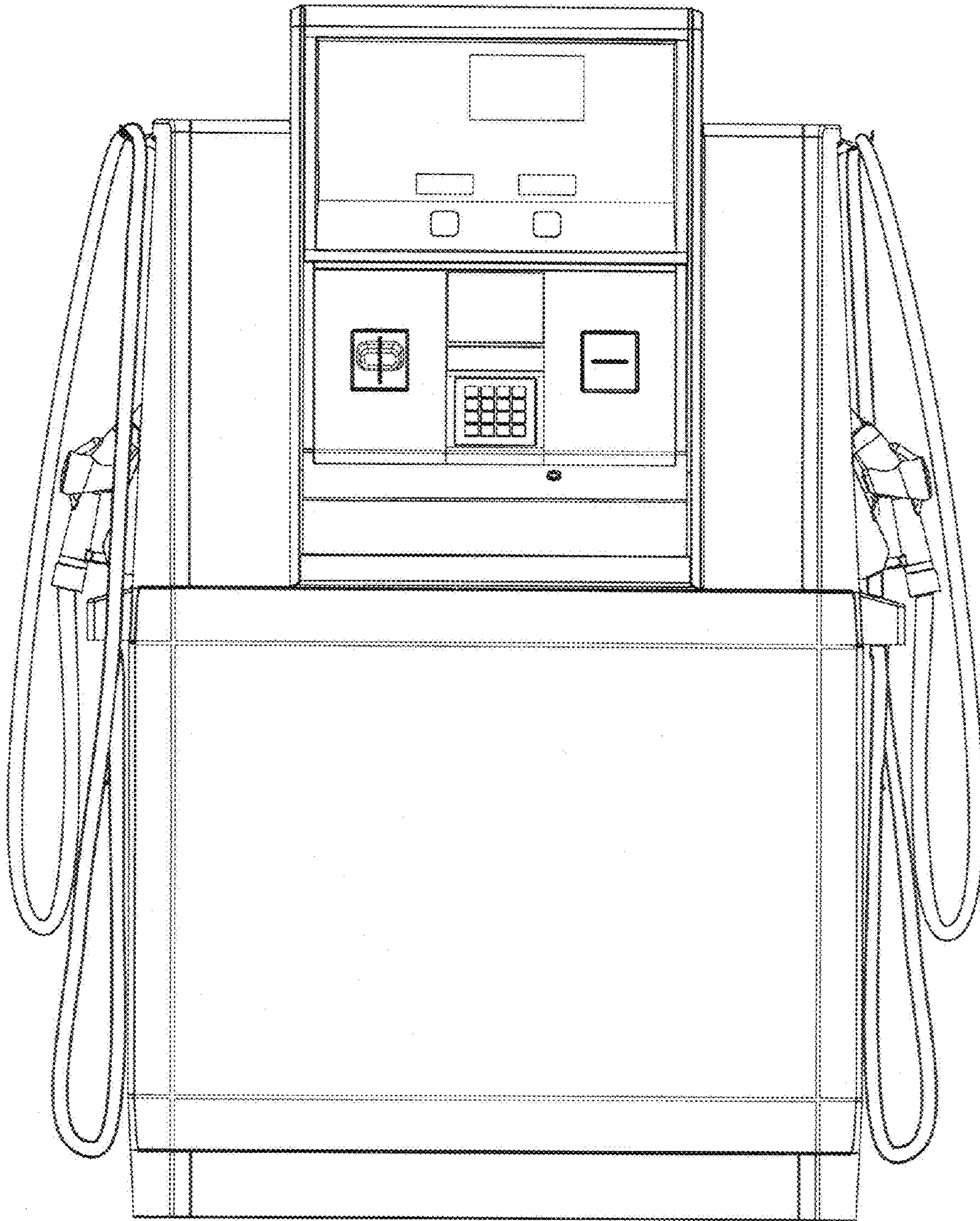


FIG. 2

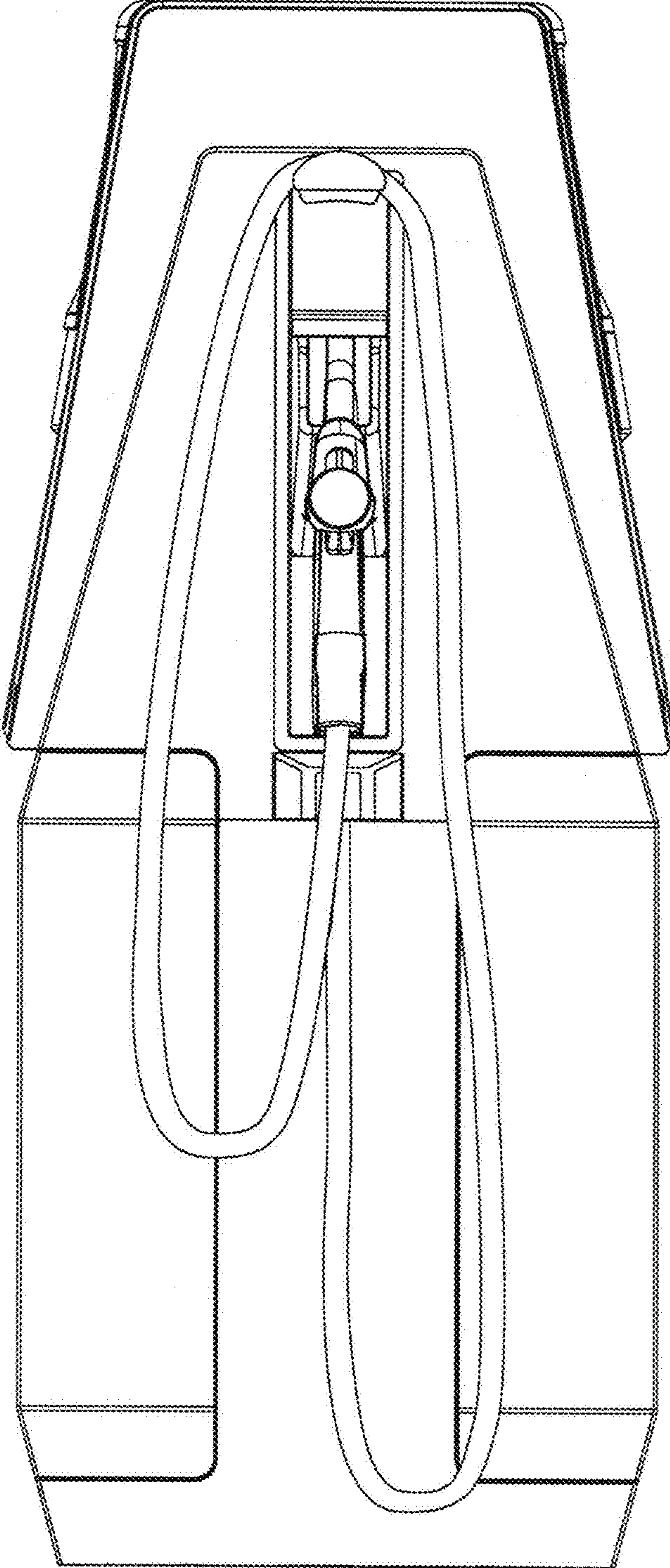


FIG. 3

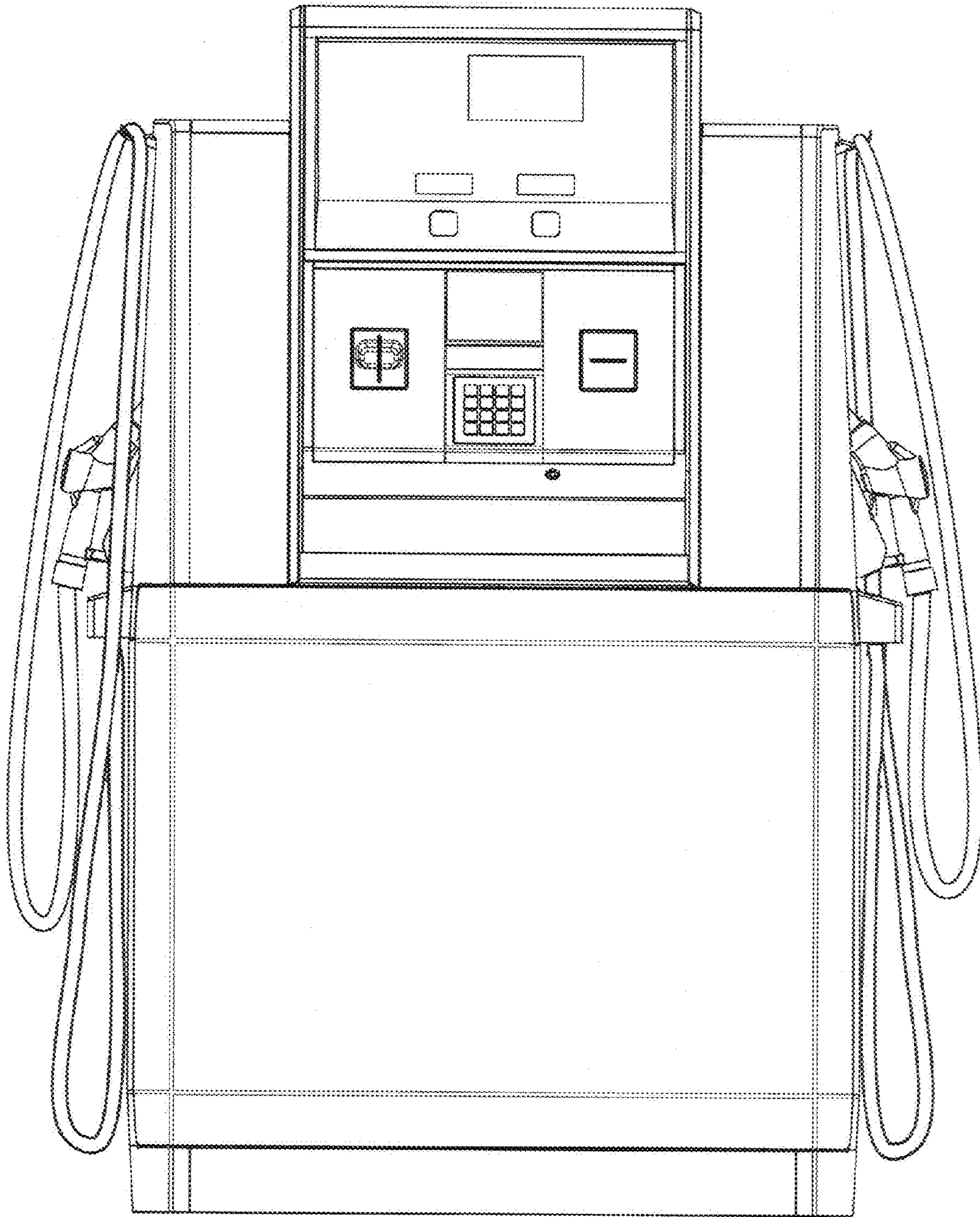


FIG. 4

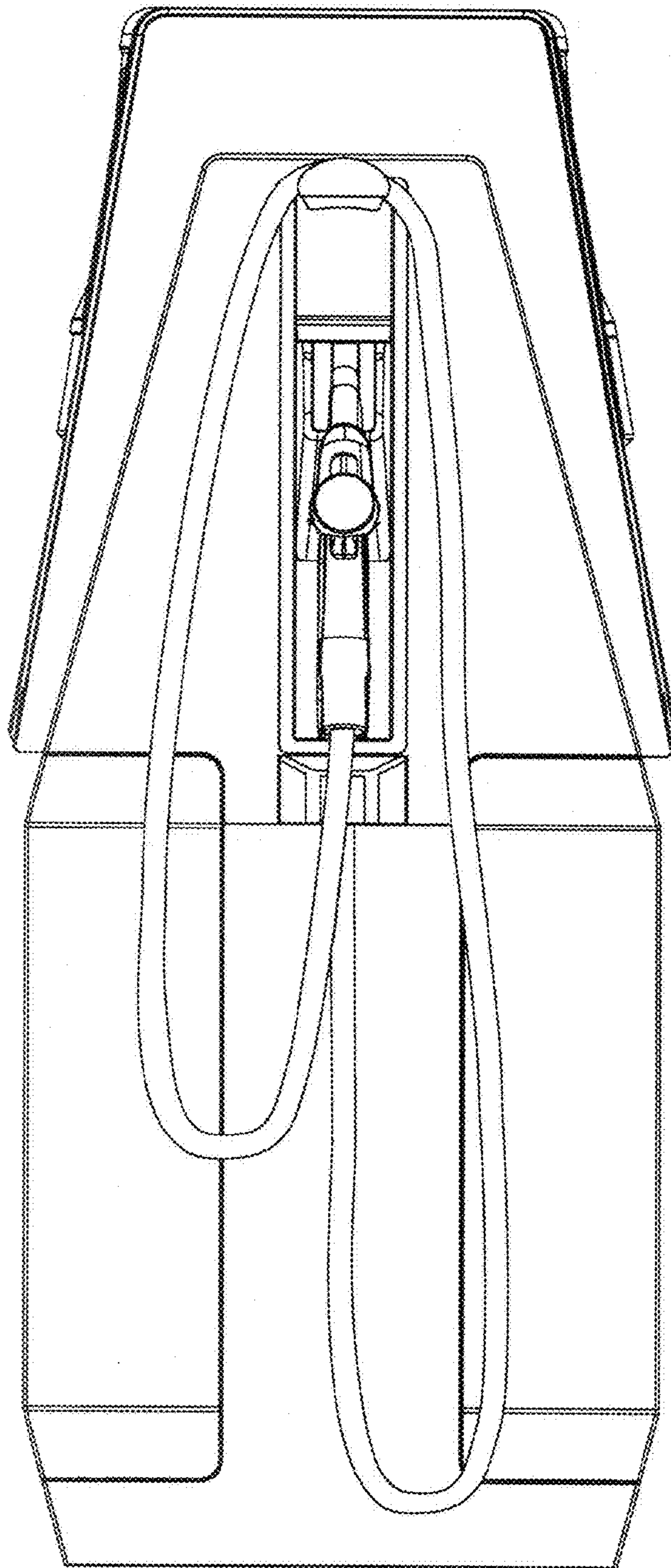


FIG. 5

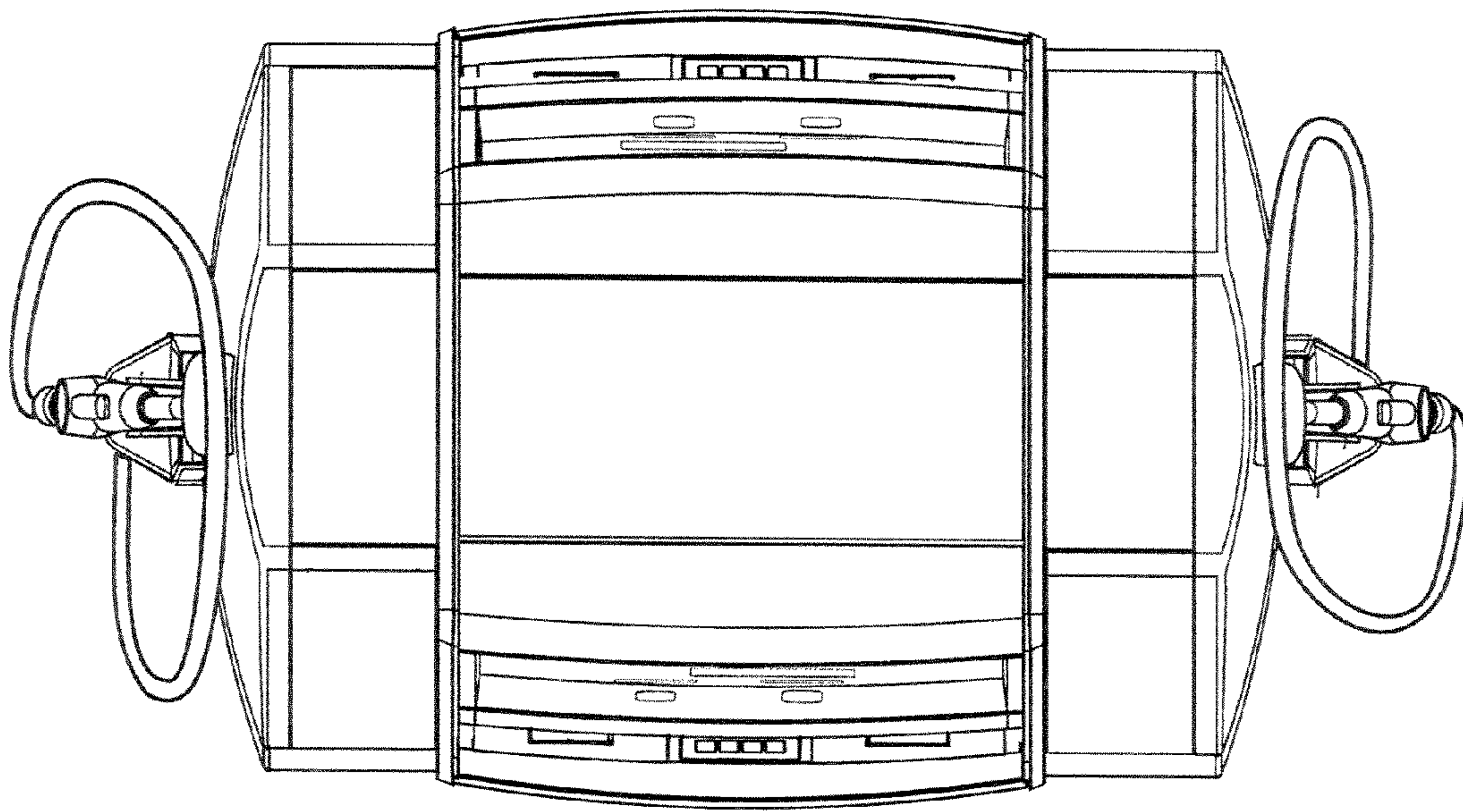


FIG. 6