



US00D655314S

(12) **United States Design Patent**
Yoshimura et al.

(10) **Patent No.:** **US D655,314 S**
(45) **Date of Patent:** **** Mar. 6, 2012**

(54) **MULTI-POSITION CYLINDER**

(75) Inventors: **Shinichi Yoshimura**, Tsukubamirai (JP);
Youji Takakuwa, Tsukubamirai (JP);
Kengo Monden, Tsukubamirai (JP);
Atsushi Fujiwara, Tsukubamirai (JP);
Junji Itabashi, Moriya (JP)

(73) Assignee: **SMC Corporation**, Tokyo (JP)

(**) Term: **14 Years**

(21) Appl. No.: **29/371,370**

(22) Filed: **Jan. 20, 2011**

(51) **LOC (9) Cl.** **15-02**

(52) **U.S. Cl.** **D15/9**

(58) **Field of Classification Search** D15/7-9;
D23/231, 232, 225; 417/60, 235, 265, 321,
417/355, 358, 363, 359, 410.1, 415-416,
417/405, 900; 60/408, 412; 184/26-37;
415/140-147; 123/495, 509

See application file for complete search history.

(56) **References Cited**

U.S. PATENT DOCUMENTS

D378,214 S *	2/1997	Ikumi	D15/7
D378,680 S *	4/1997	Ikumi	D15/7
D543,217 S *	5/2007	Puls	D15/7
D583,390 S *	12/2008	Yajima	D15/7
D619,624 S *	7/2010	Iwagoshi et al.	D15/7
D624,095 S *	9/2010	Chu	D15/9

OTHER PUBLICATIONS

U.S. Appl. No. 29/383,686, filed Jan. 20, 2011, Yoshimura, et al.
U.S. Appl. No. 29/371,370, filed Jan. 20, 2011, Yoshimura, et al.

* cited by examiner

Primary Examiner — Ralf Seifert

(74) *Attorney, Agent, or Firm* — Oblon, Spivak,
McClelland, Maier & Neustadt, L.L.P.

(57) **CLAIM**

The ornamental design for a multi-position cylinder, as shown and described.

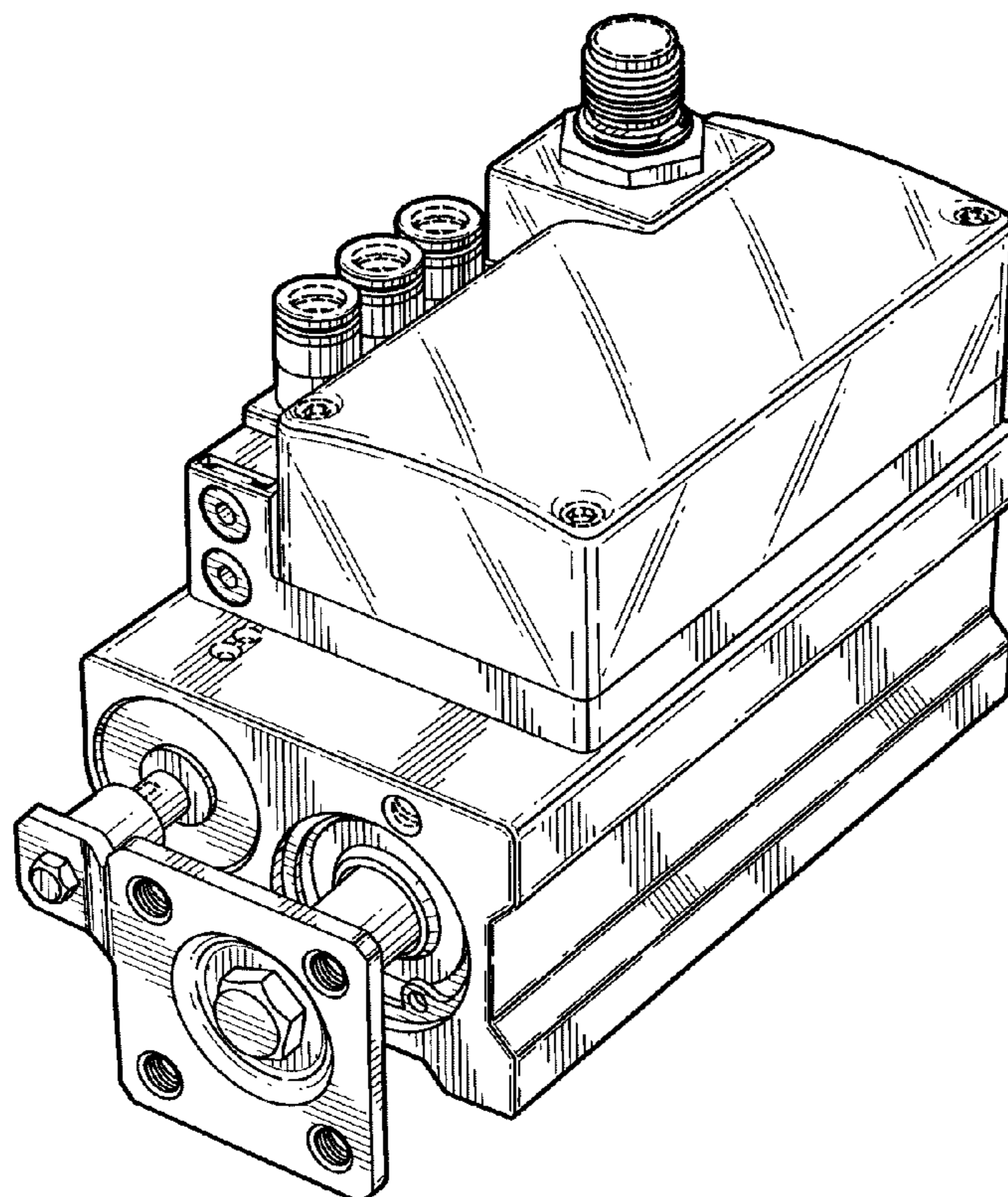
DESCRIPTION

FIG. 1 is a front, top, and right side perspective view of a multi-position cylinder;
FIG. 2 is a rear, bottom, and left side perspective view thereof;
FIG. 3 is a front elevational view thereof;
FIG. 4 is a rear elevational view thereof;
FIG. 5 is a top plan view thereof;
FIG. 6 is a bottom plan view thereof;
FIG. 7 is a left side elevational view thereof; and,
FIG. 8 is a right side elevational view thereof.

The cover on the top of the cylinder body is semitransparent and the objects within the cover form no part of the claimed design.

The broken lines in the drawings are included for the purpose of illustrating portions of the multi-position cylinder that form no part of the claimed design.

1 Claim, 8 Drawing Sheets



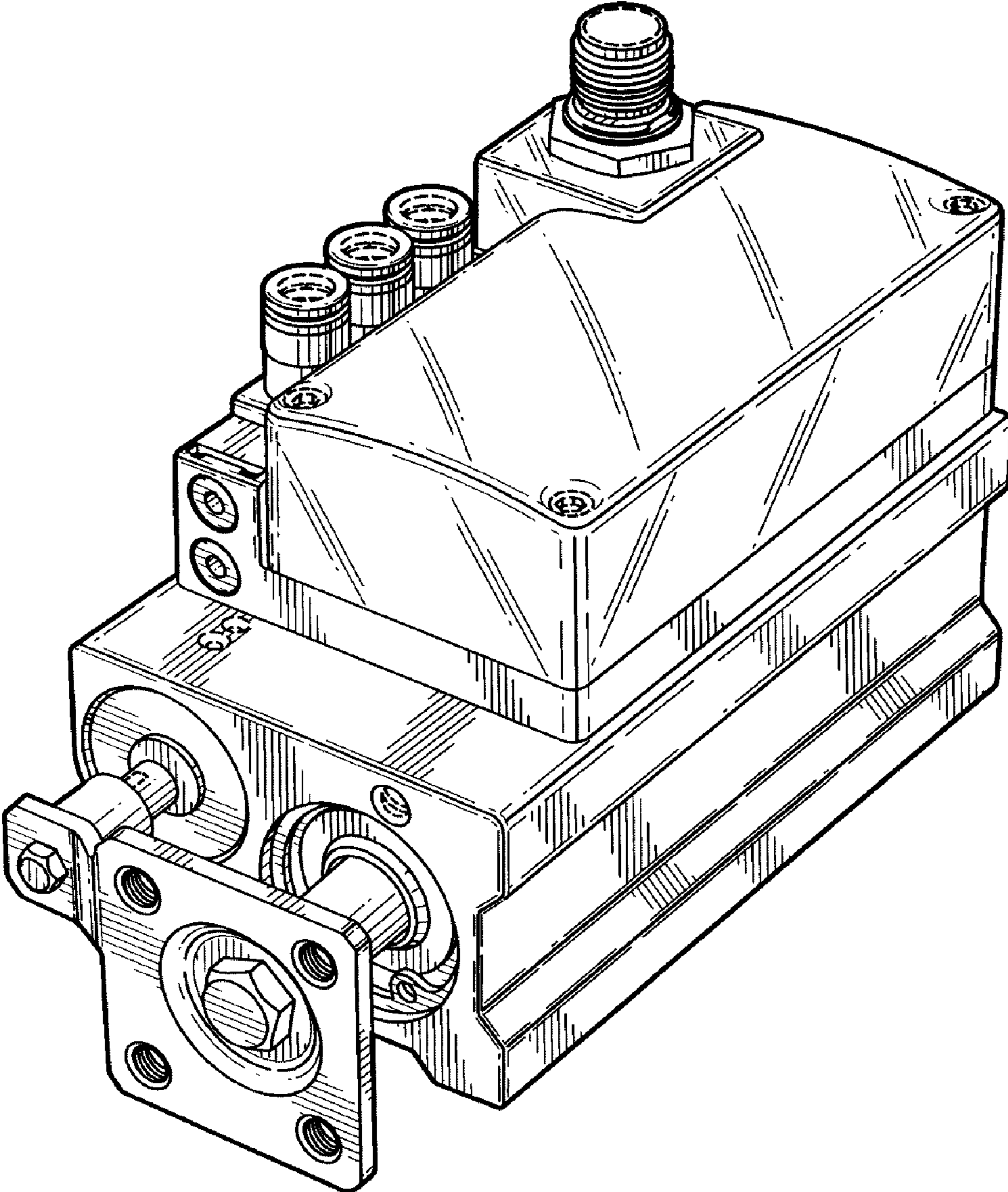


Fig. 1

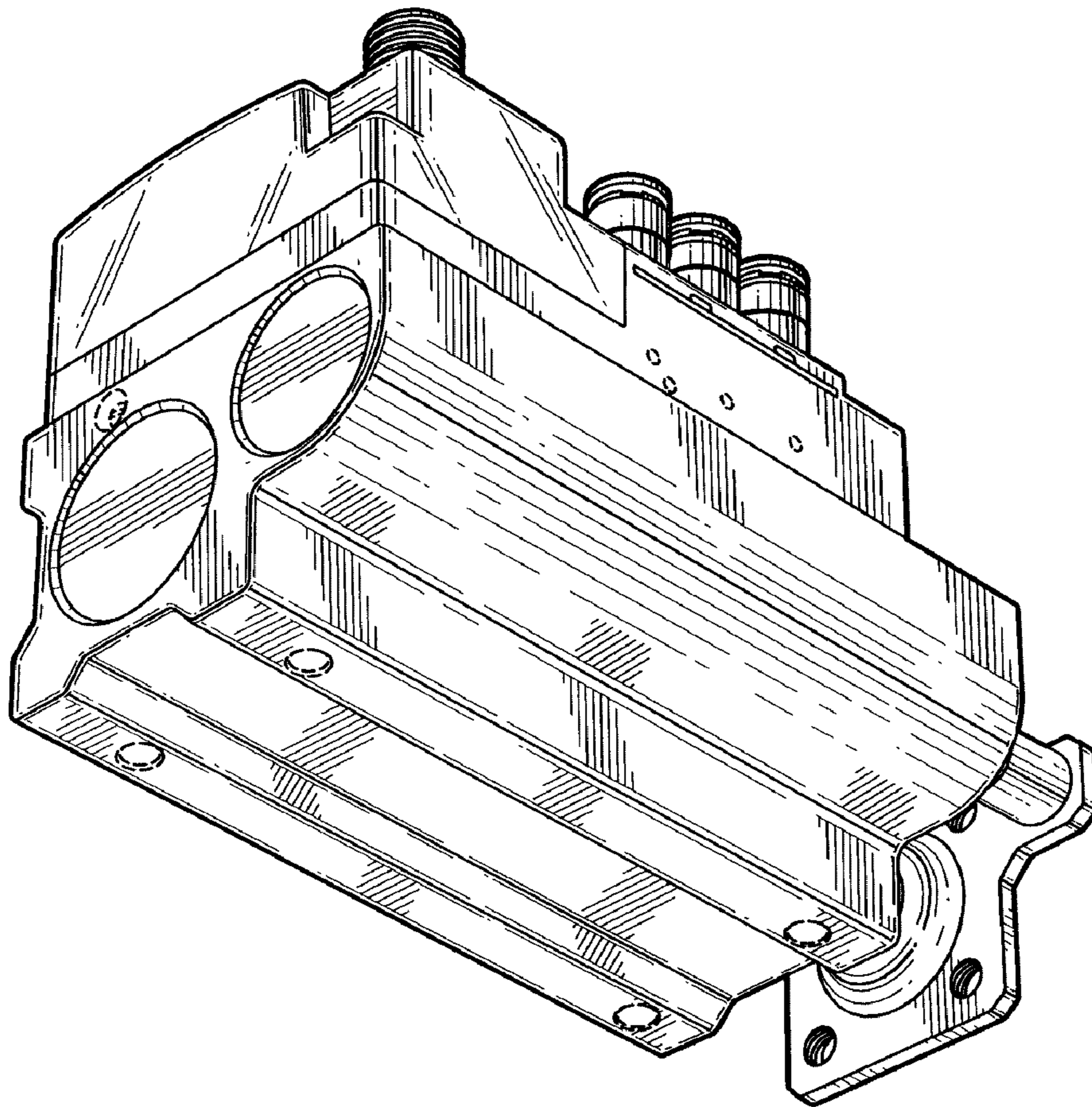


Fig. 2

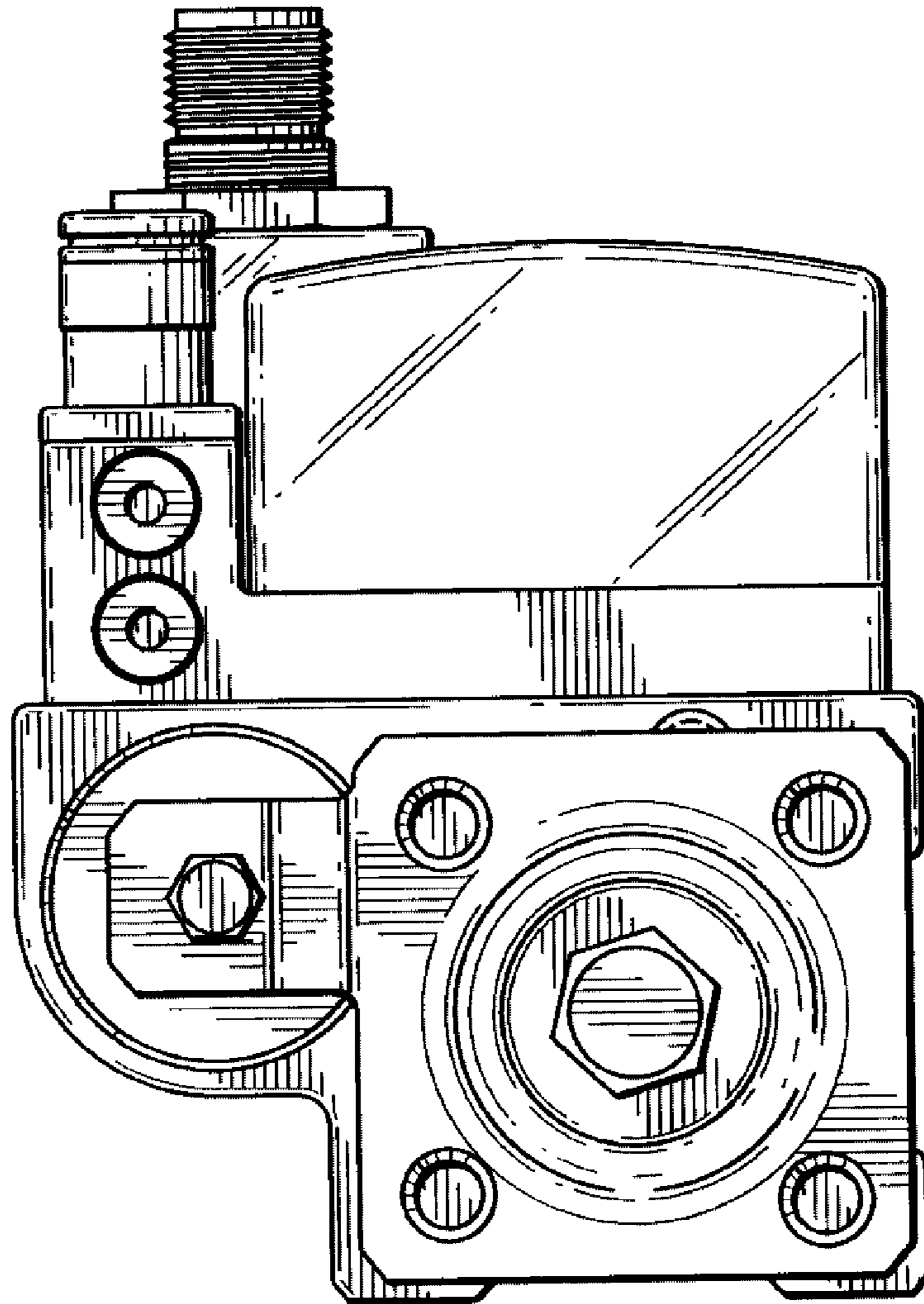


Fig. 3

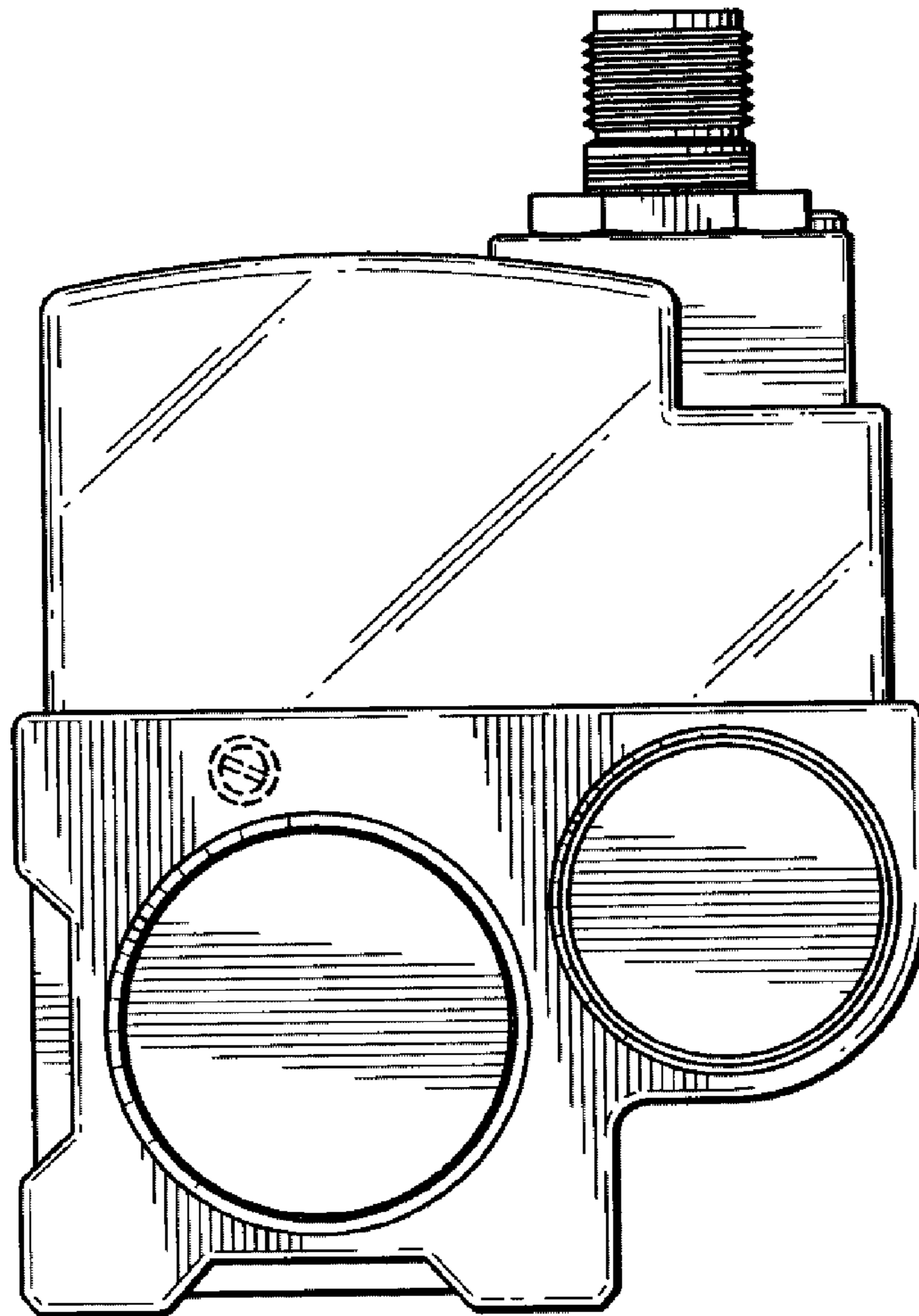


Fig. 4

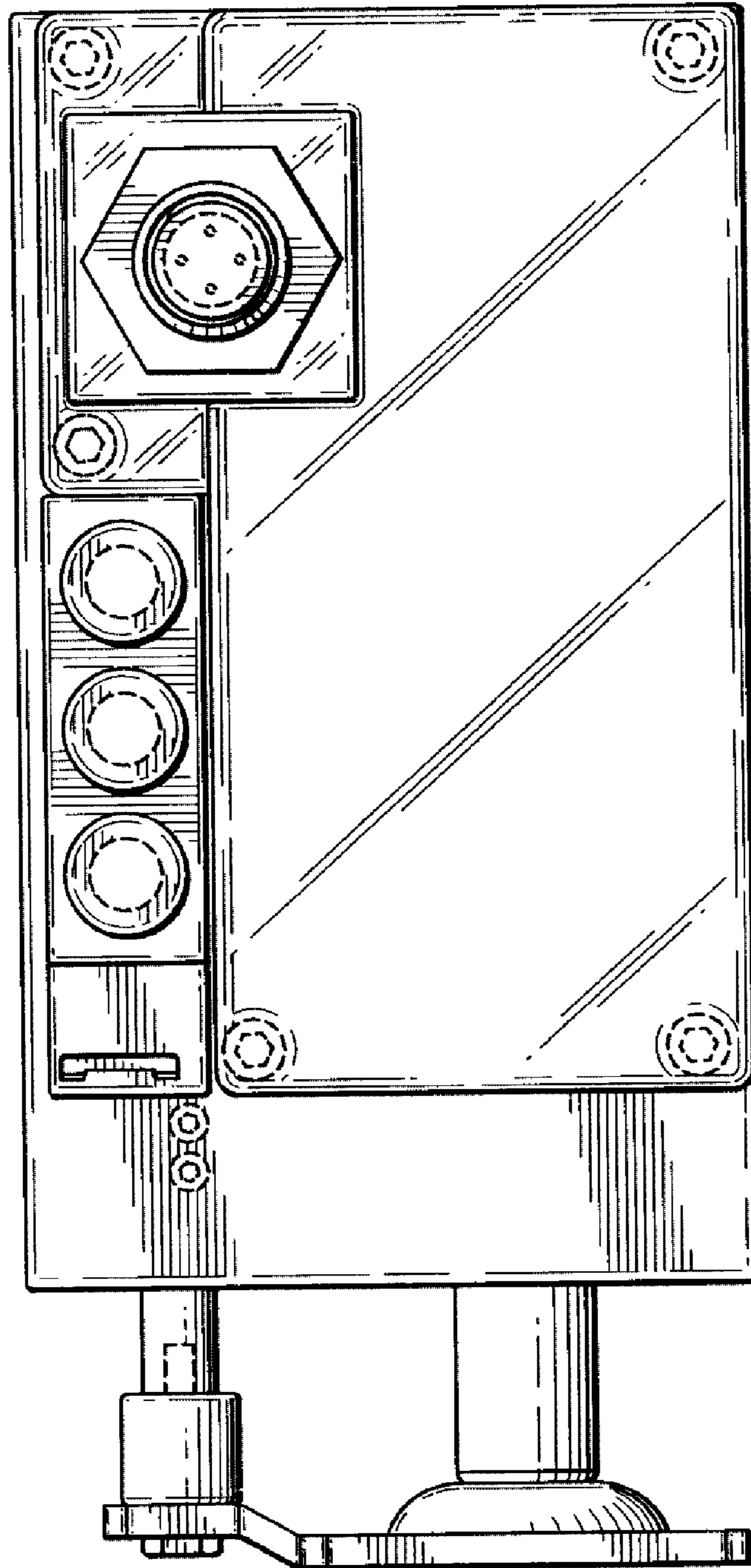


Fig. 5

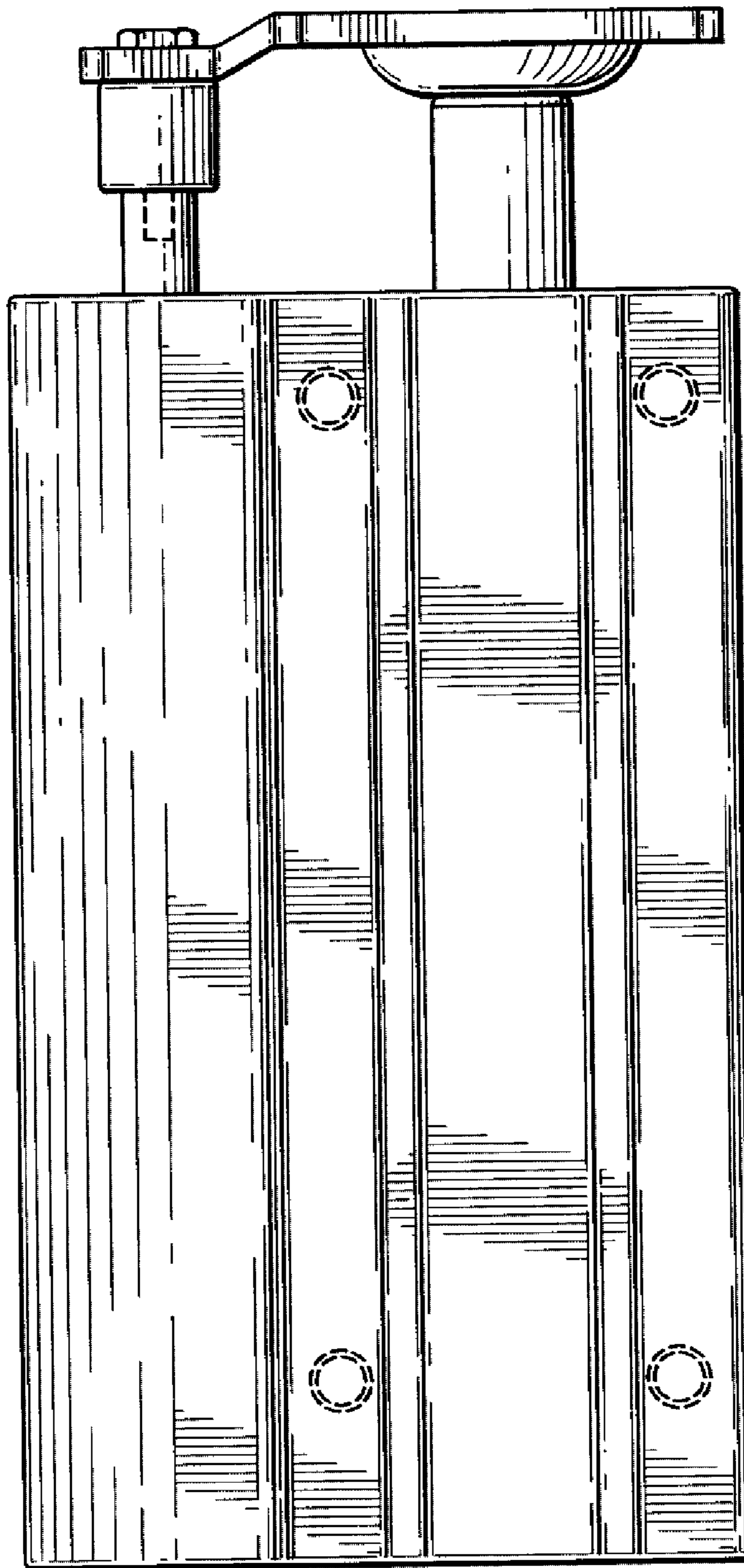


Fig. 6

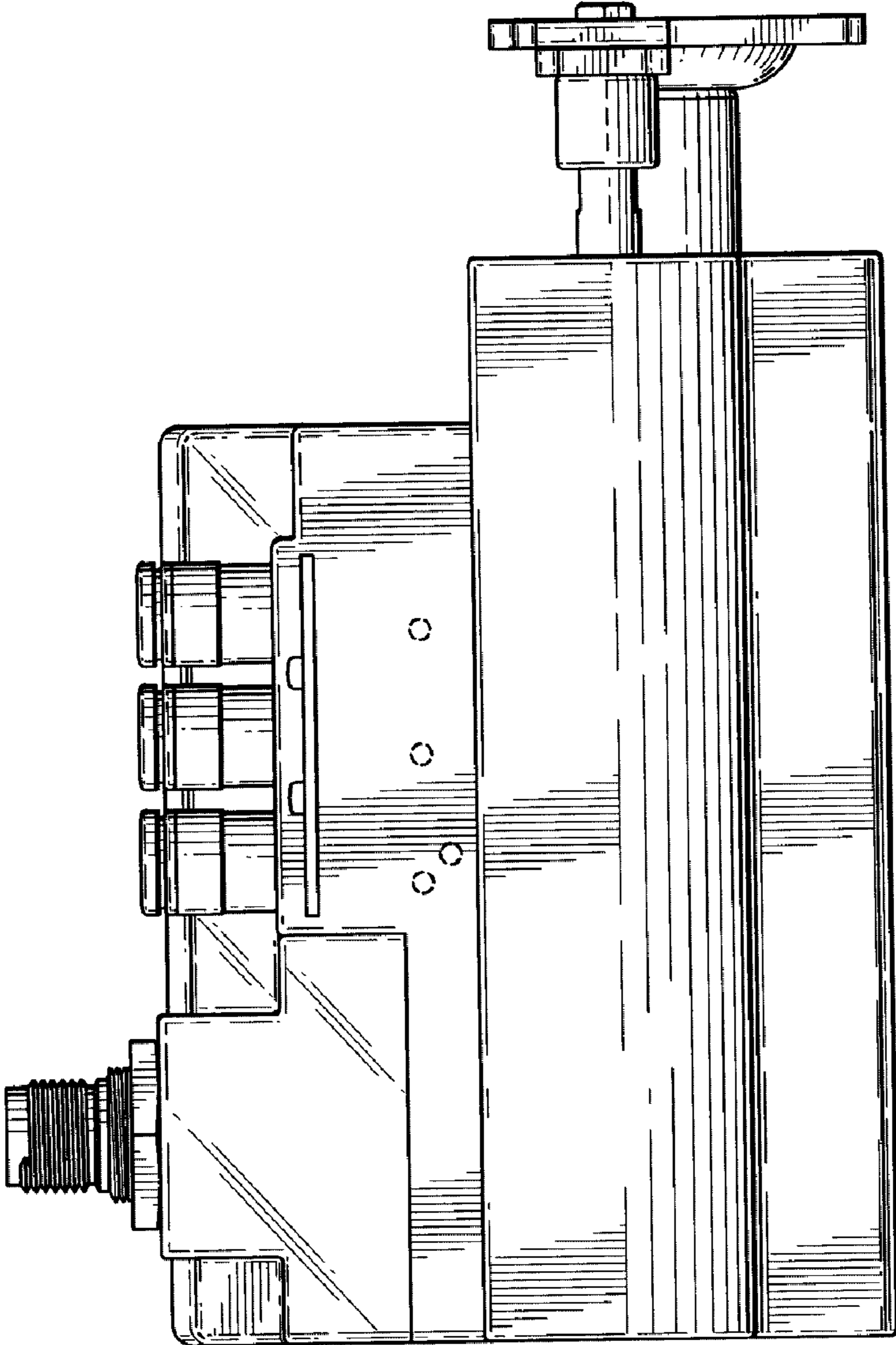


Fig. 7

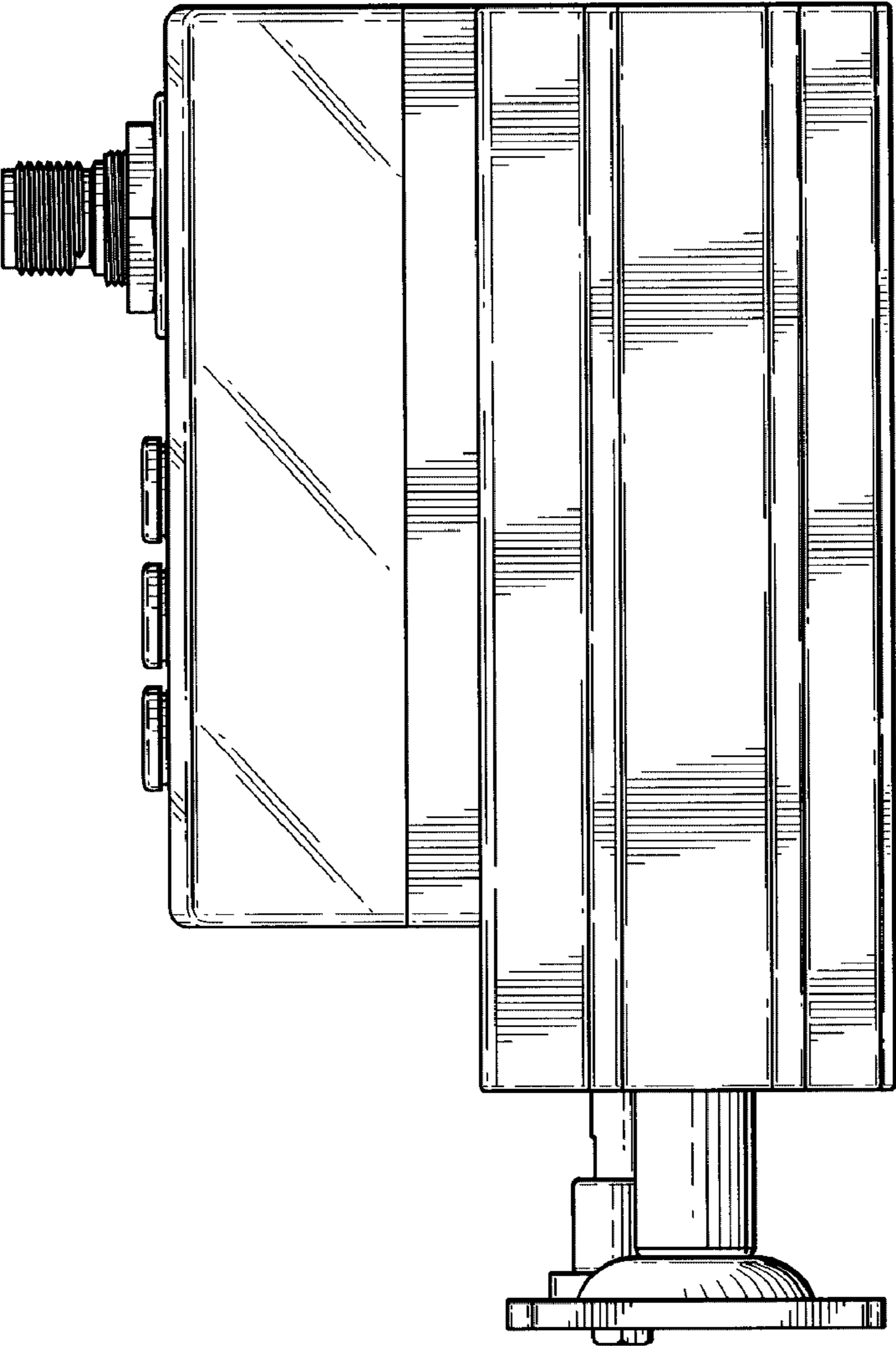


Fig. 8