



US00D655313S

(12) **United States Design Patent**
Taylor

(10) **Patent No.:** **US D655,313 S**
(45) **Date of Patent:** **** Mar. 6, 2012**

(54) **FLUID PUMP**

(75) Inventor: **Curtis Taylor**, Chagrin Falls, OH (US)

(73) Assignee: **Magic Tap, LLC**, Cleveland, OH (US)

(**) Term: **14 Years**

(21) Appl. No.: **29/389,976**

(22) Filed: **Apr. 19, 2011**

(51) **LOC (9) Cl.** **15-02**

(52) **U.S. Cl.** **D15/7**

(58) **Field of Classification Search** D15/7-9;
D23/231, 232; 417/410.1, 359, 415-416,
417/234, 321, 265, 405

See application file for complete search history.

(56) **References Cited**

U.S. PATENT DOCUMENTS

D375,962 S *	11/1996	Wong	D15/9
D441,376 S *	5/2001	Gohil et al.	D15/7
D541,822 S *	5/2007	Wang	D15/9
D541,823 S *	5/2007	Wang	D15/9
D605,666 S *	12/2009	Moser	D15/9
D635,587 S *	4/2011	Schleef	D15/7

D643,857 S *	8/2011	Wu et al.	D15/7
D647,111 S *	10/2011	Pages	D15/7
D648,353 S *	11/2011	Mattson et al.	D15/7

* cited by examiner

Primary Examiner — Ralf Seifert

(74) *Attorney, Agent, or Firm* — Fay Sharpe LLP; Brian E. Turung

(57) **CLAIM**

The ornamental design for a fluid pump, as shown and described.

DESCRIPTION

FIG. 1 is a side elevation view of a fluid pump showing my new design;

FIG. 2 is a front view of a fluid pump showing my new design;

FIG. 3 is a back view of a fluid pump showing my new design;

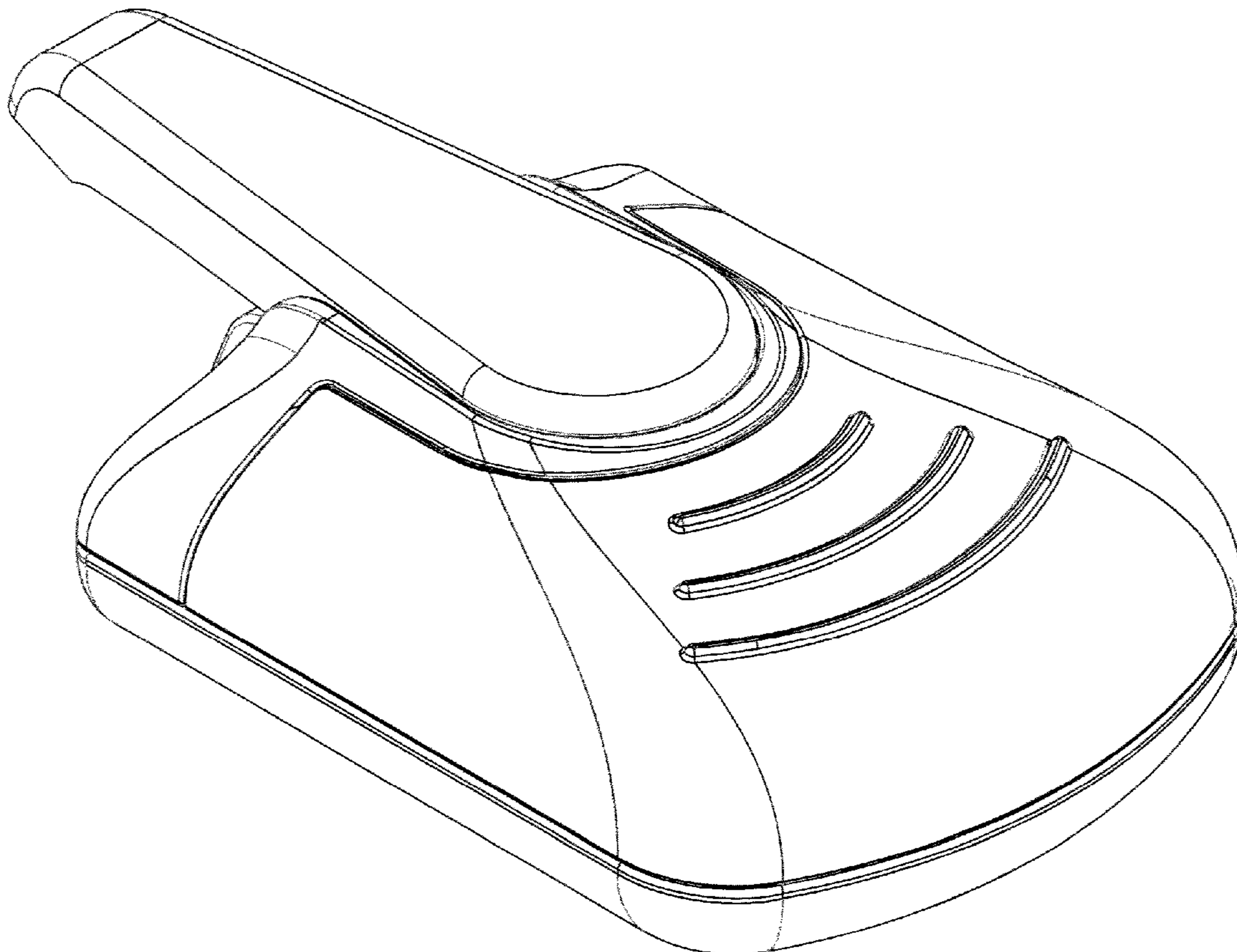
FIG. 4 is a top view of the fluid pump showing my new design;

FIG. 5 is a top perspective view of the fluid pump showing my new design;

FIG. 6 is a rear bottom perspective view of the fluid pump showing my new design; and,

FIG. 7 is front bottom perspective view of the fluid pump showing my new design.

1 Claim, 7 Drawing Sheets



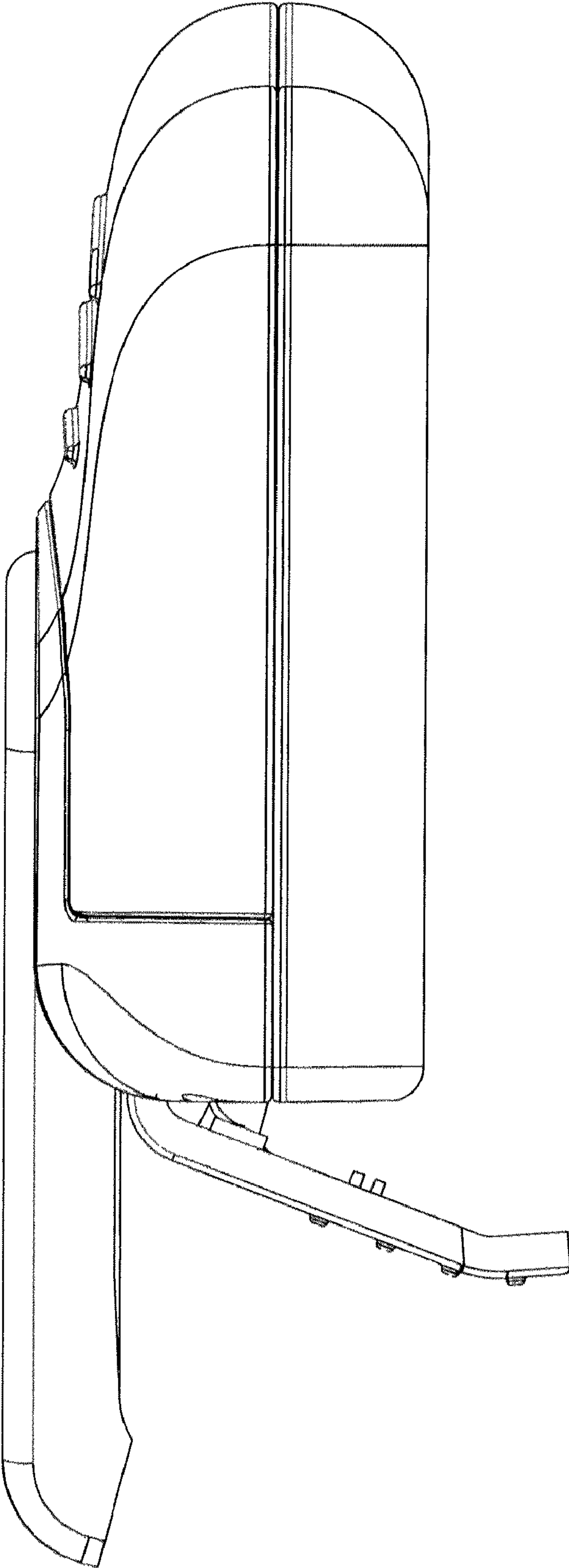


FIG. 1

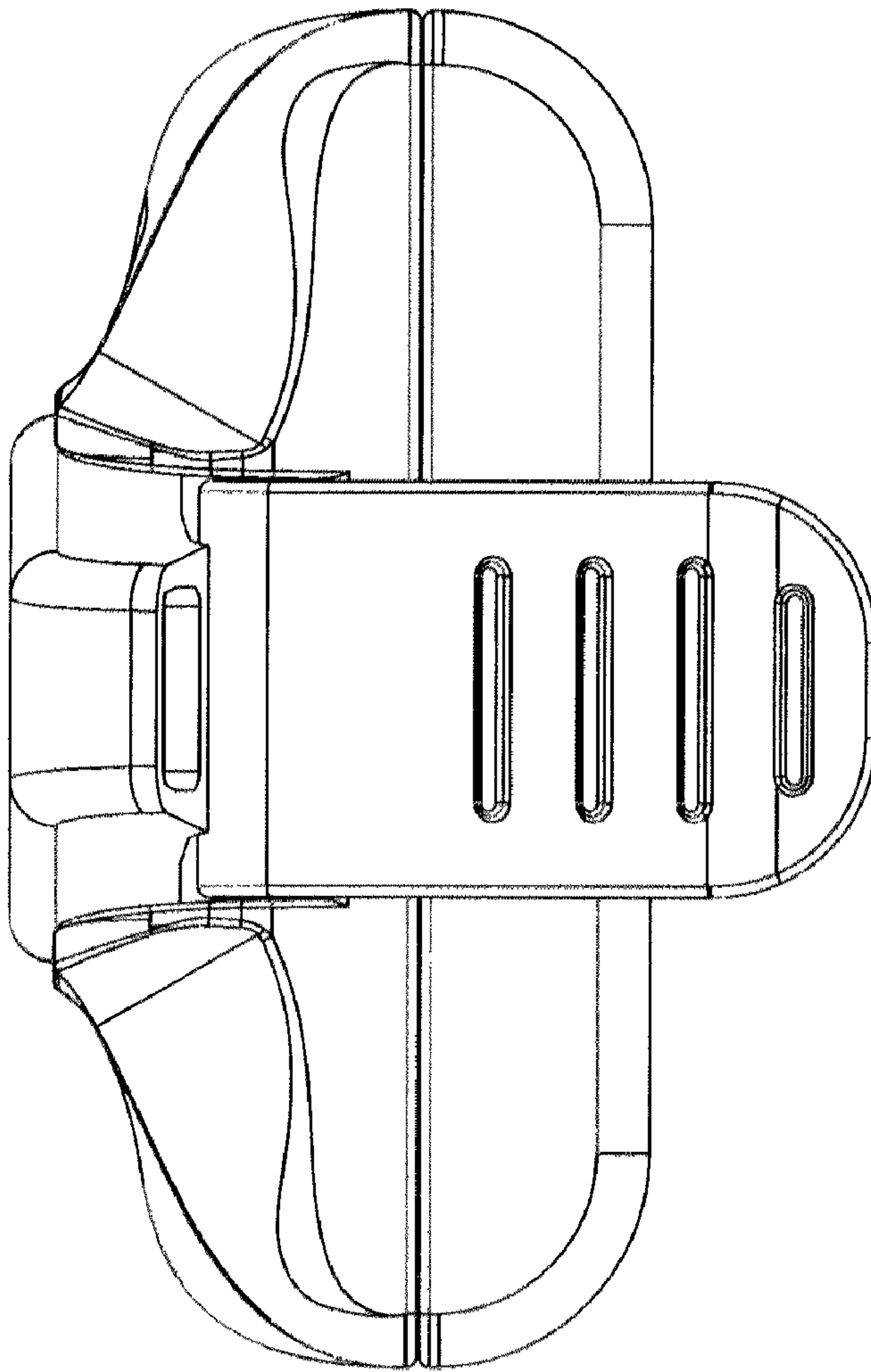


FIG. 2

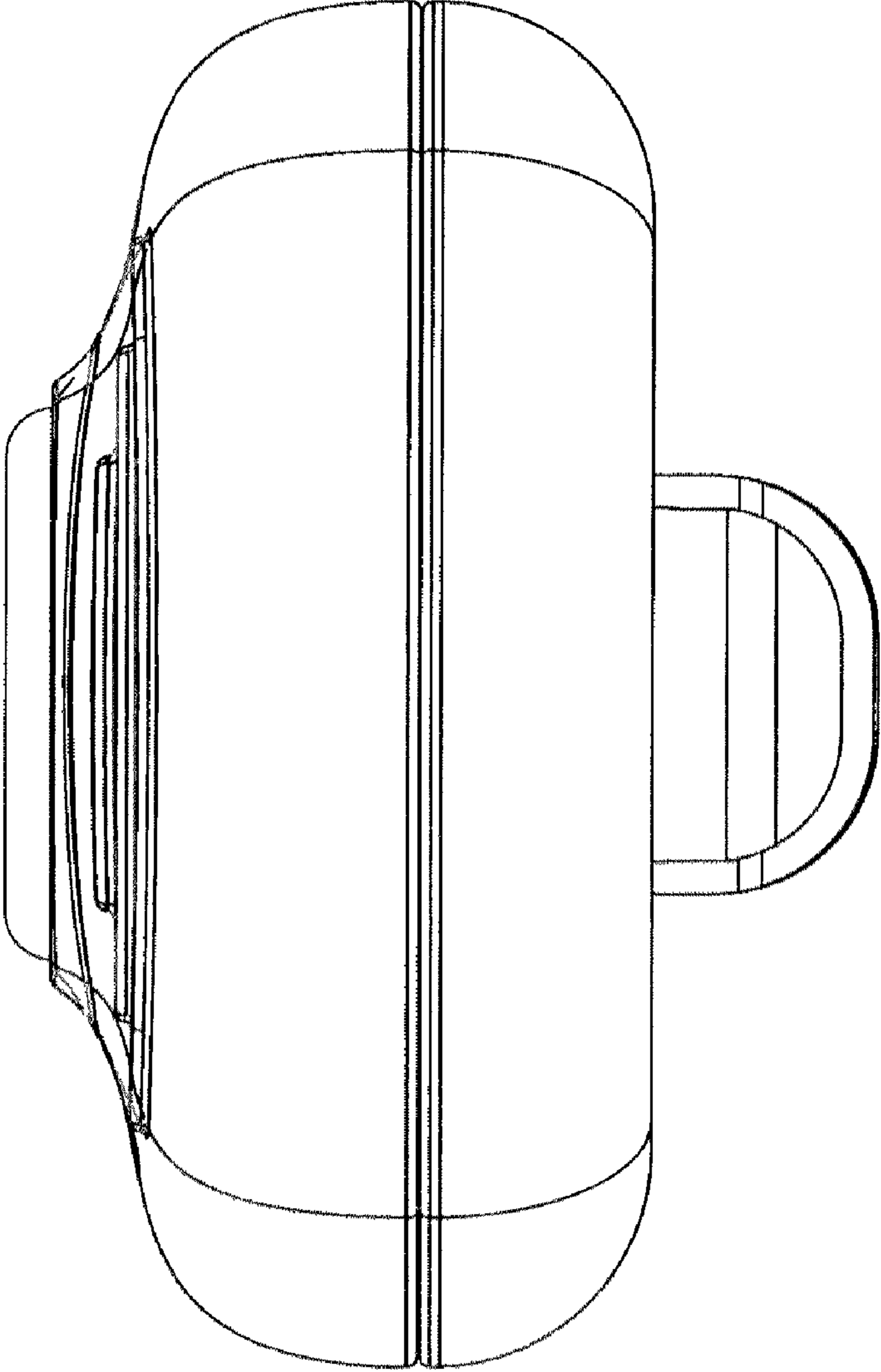


FIG. 3

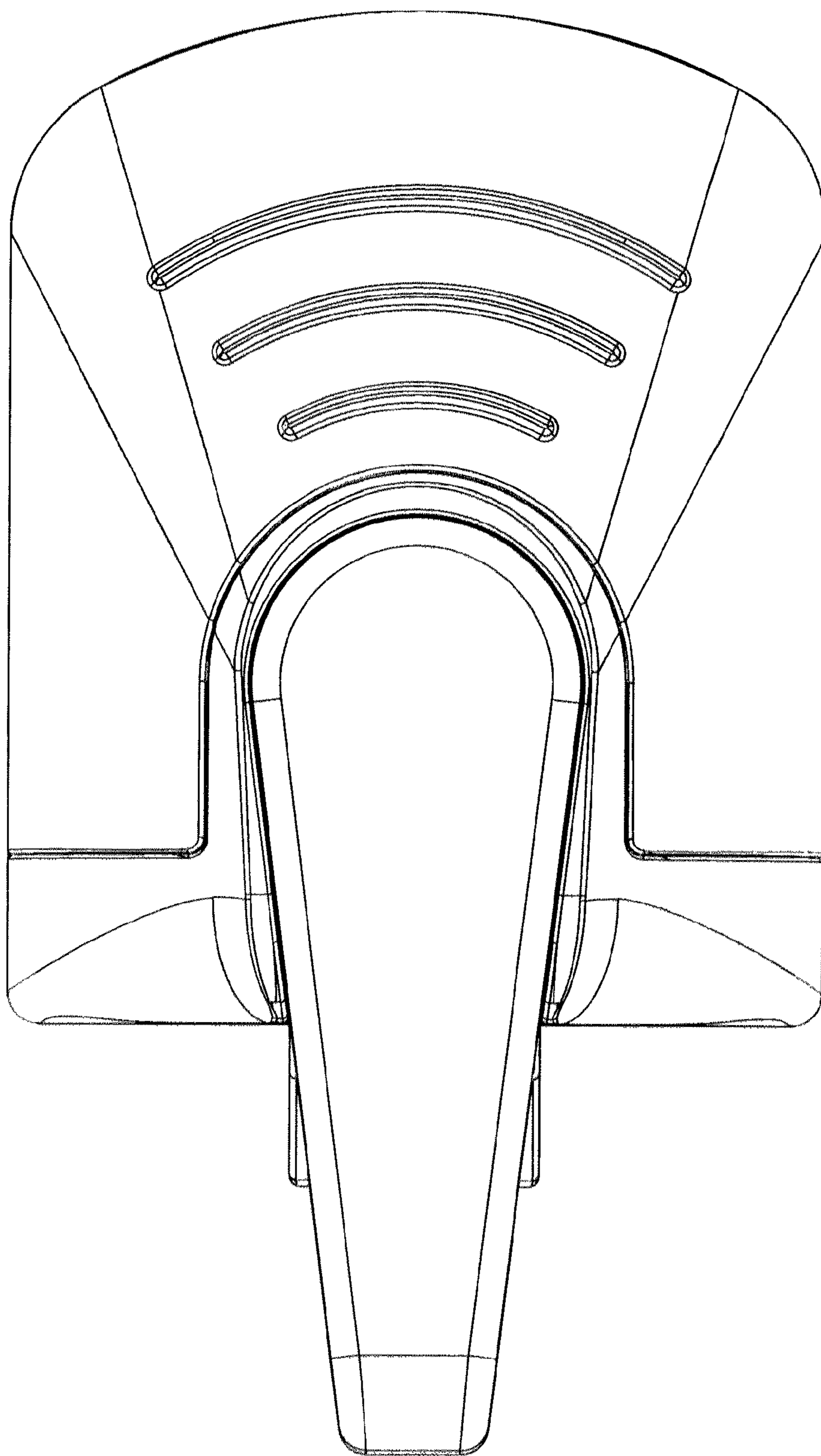


FIG. 4

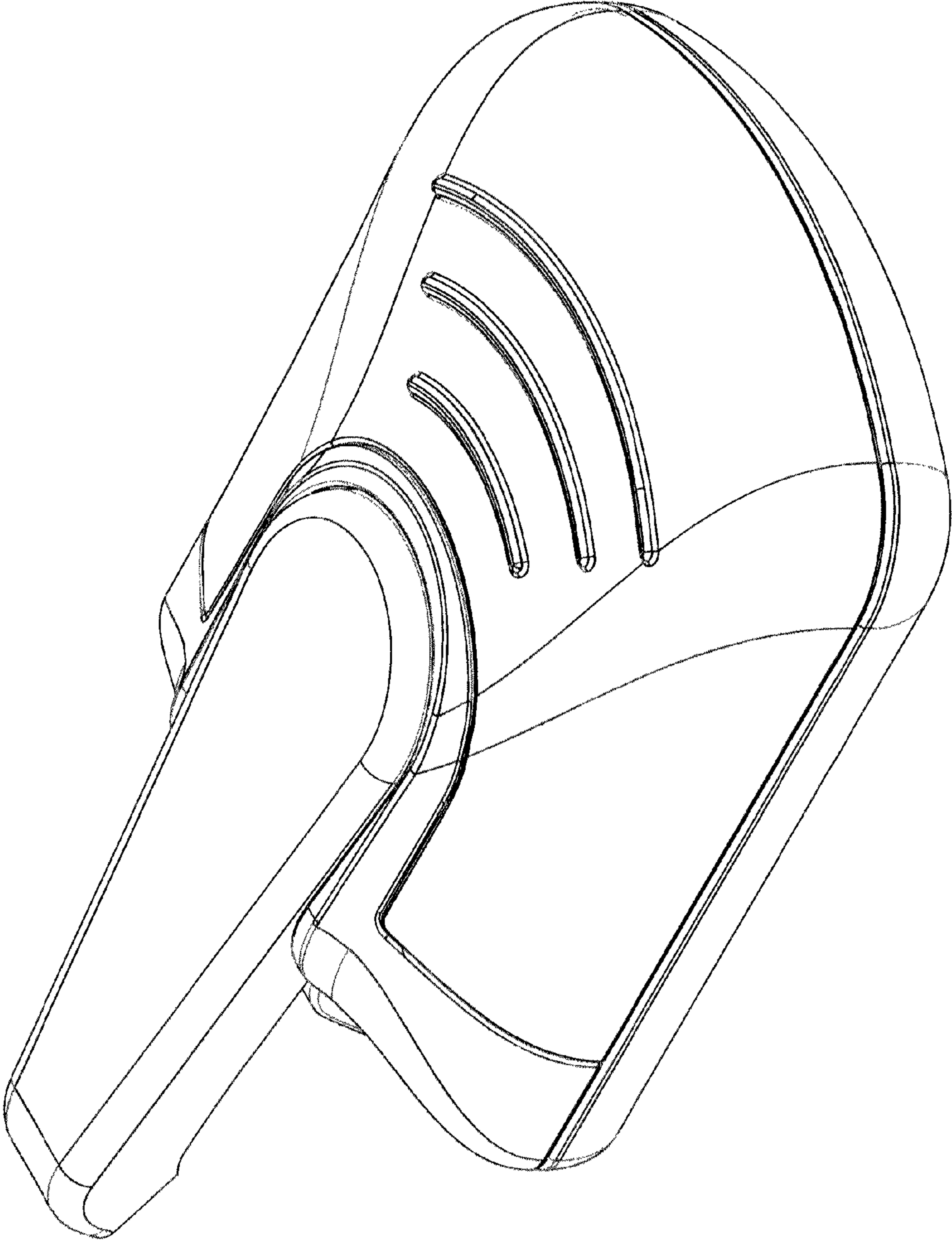


FIG. 5

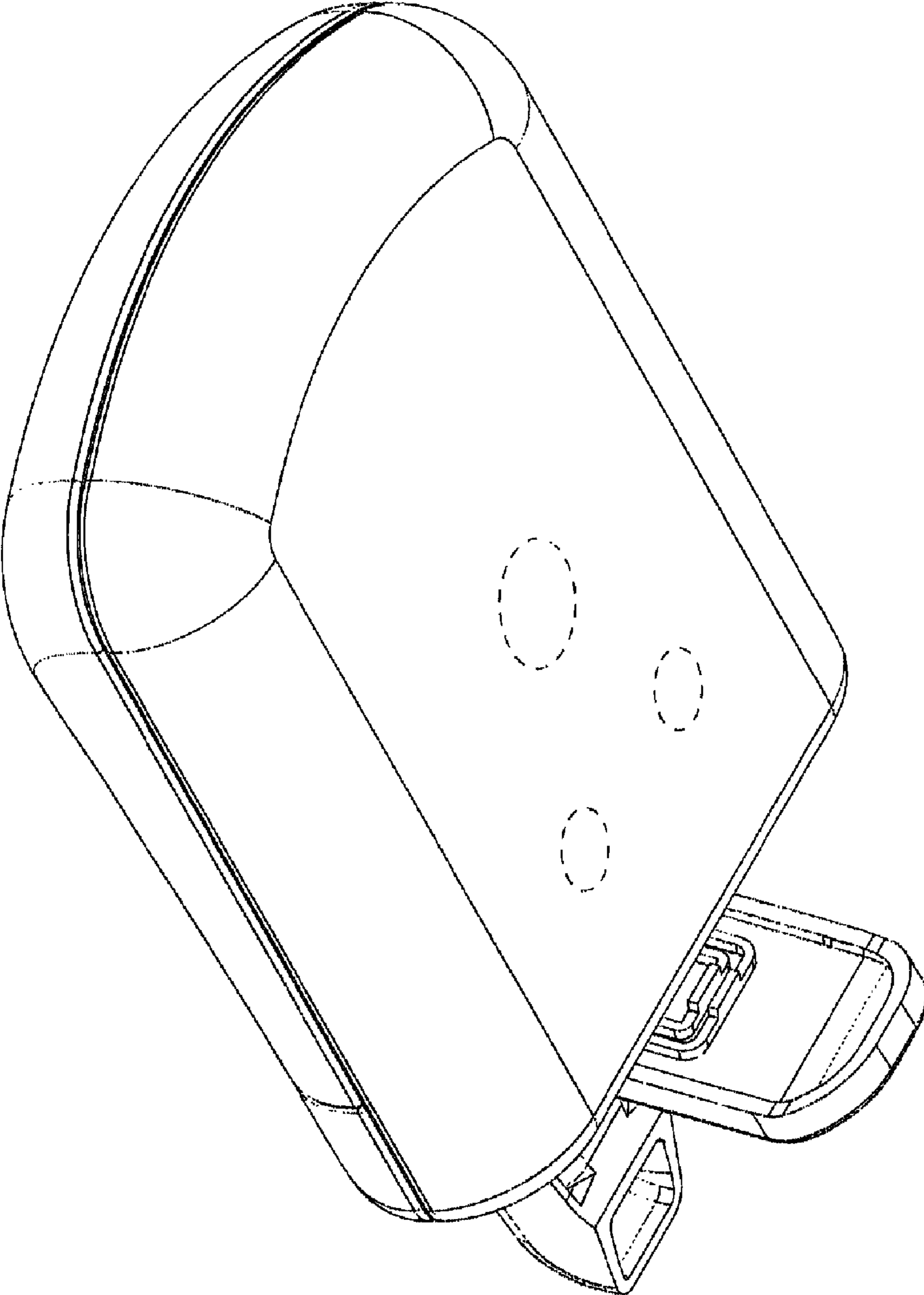


FIG. 6

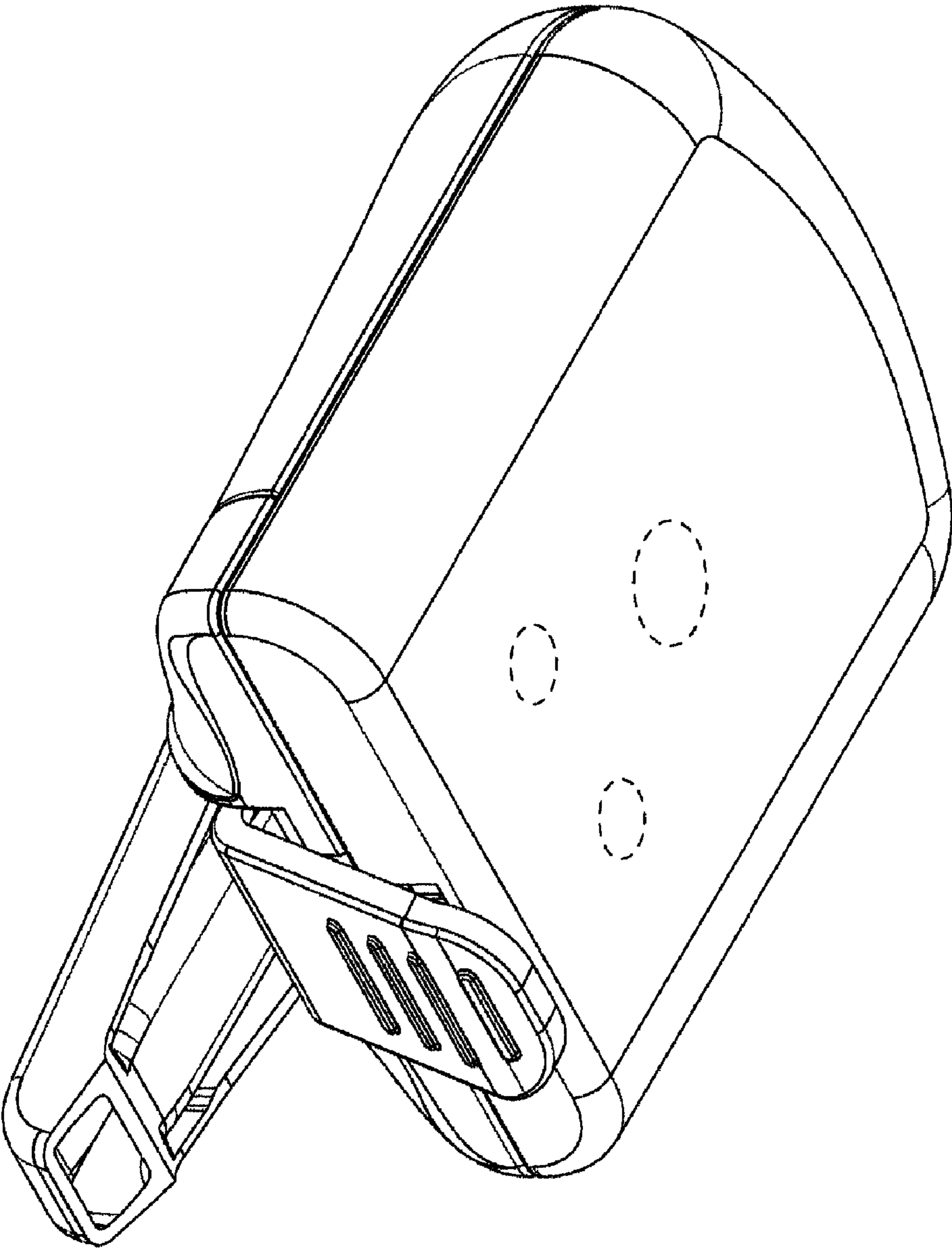


FIG. 7