



US00D655310S

(12) **United States Design Patent**  
**Tiefenthaler et al.**

(10) **Patent No.:** **US D655,310 S**  
(45) **Date of Patent:** **\*\* Mar. 6, 2012**

(54) **FUEL CAP**

(75) Inventors: **Carl Tiefenthaler**, Jackson, WI (US);  
**Phillip A. Kabalen**, Murray, KY (US)

(73) Assignee: **Briggs & Stratton Corporation**,  
Wauwatosa, WI (US)

(\*\*) Term: **14 Years**

(21) Appl. No.: **29/387,393**

(22) Filed: **Mar. 11, 2011**

(51) **LOC (9) Cl.** ..... **15-01**

(52) **U.S. Cl.** ..... **D15/5**

(58) **Field of Classification Search** ..... D15/1,  
D15/2, 3, 5, 6, 14, 17, 149, 150; 220/304,  
220/200, 288; D12/197, 110, 114, 198, 218,  
D12/201; D7/398, 598, 617; D8/310, 312,  
D8/311, 107, 108; D9/435, 201, 451-454,  
D9/443-444; D23/260

See application file for complete search history.

(56) **References Cited**

U.S. PATENT DOCUMENTS

D212,843	S	*	12/1968	Hart et al.	.....	D9/452
D359,682	S	*	6/1995	Miller	.....	D9/434
D413,485	S	*	9/1999	Much	.....	D7/392.1
6,179,148	B1	*	1/2001	Harris	.....	220/288
D487,700	S	*	3/2004	Bourque et al.	.....	D9/453
D488,397	S	*	4/2004	Morelock	.....	D10/68
D503,667	S	*	4/2005	Keefer et al.	.....	D12/197
D526,564	S	*	8/2006	Slavin et al.	.....	D9/454
D531,505	S	*	11/2006	Lohrman	.....	D9/453
D566,640	S	*	4/2008	Holz et al.	.....	D12/197
D576,878	S	*	9/2008	Brashear	.....	D9/453
D585,348	S	*	1/2009	Yan et al.	.....	D12/197
7,481,321	B2	*	1/2009	Ismert	.....	210/519
D594,395	S	*	6/2009	Yoshii	.....	D12/197
D635,585	S	*	4/2011	Harmelink	.....	D15/1

2006/0016436	A1	*	1/2006	Groom et al.	.....	123/520
2006/0086736	A1	*	4/2006	Keller	.....	220/295
2006/0124644	A1	*	6/2006	Dehn	.....	220/259.3
2010/0089919	A1	*	4/2010	Dunkle et al.	.....	220/203.01

OTHER PUBLICATIONS

Professional Series 875 and 700 Series DOV engines, downloaded from website [www.briggsandstratton.com/engines/push-mower](http://www.briggsandstratton.com/engines/push-mower) on Jun. 14, 2011, 4 pages.

Briggs & Stratton 700 Series DOV engine, downloaded from website [www.usinenouvelle.com/industry/briggs-et-stratton-635/briggs-stratton-series-dov-p57879.html](http://www.usinenouvelle.com/industry/briggs-et-stratton-635/briggs-stratton-series-dov-p57879.html) on Jun. 14, 2011, 3 pages.

\* cited by examiner

*Primary Examiner* — T. Chase Nelson

*Assistant Examiner* — Ania Aman

(74) *Attorney, Agent, or Firm* — Foley & Lardner LLP

(57) **CLAIM**

We claim the ornamental design for a fuel cap, as shown and described.

**DESCRIPTION**

FIG. 1 is a front perspective view from above of a fuel cap showing our new design;

FIG. 2 is a rear perspective view thereof;

FIG. 3 is an enlarged front perspective view showing the design with some of the environmental structure of the previous view thereof;

FIG. 4 is a top plan view thereof;

FIG. 5 is a front elevation view thereof;

FIG. 6 is a left side elevation view thereof;

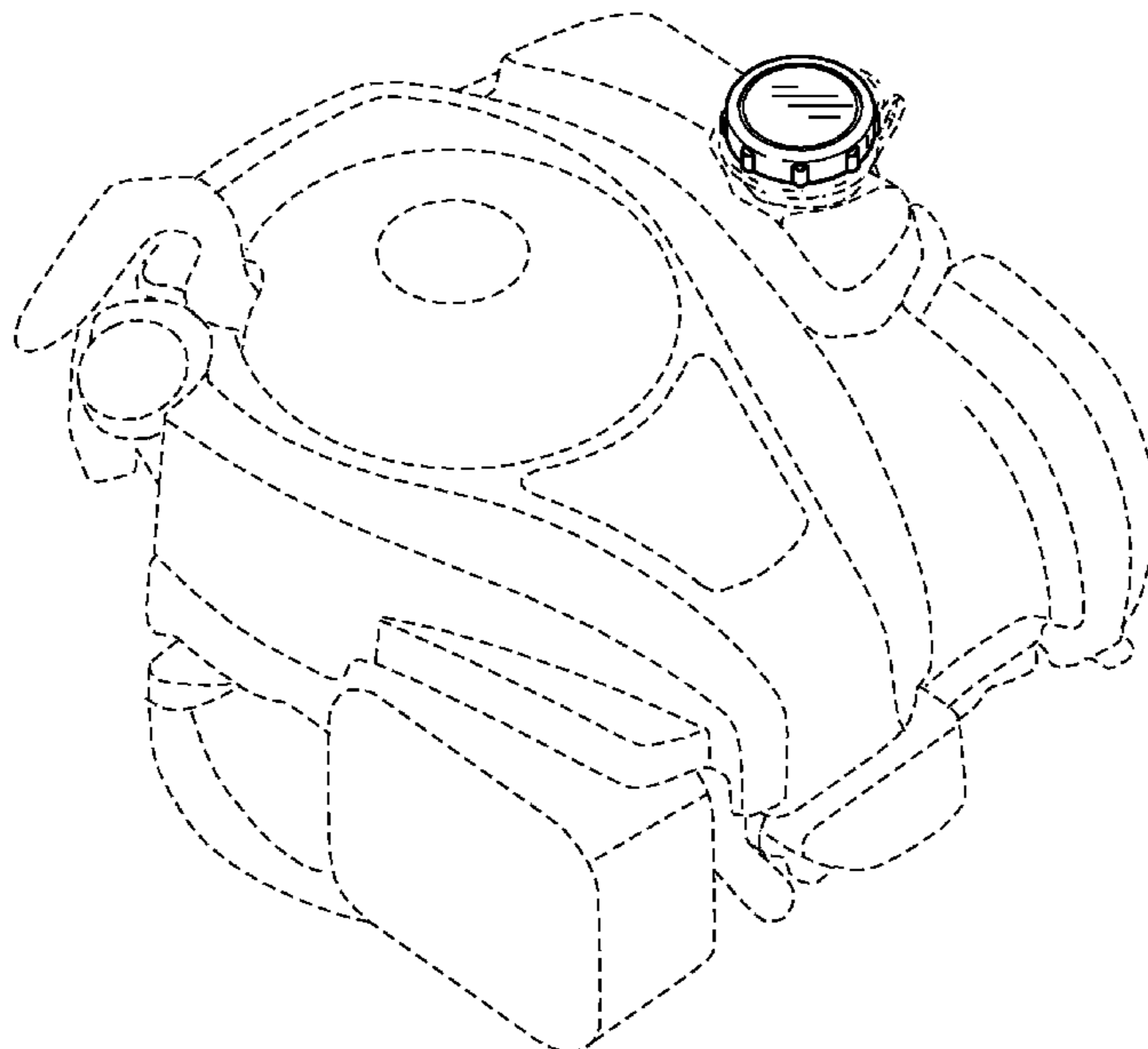
FIG. 7 is a right side elevation view thereof;

FIG. 8 is a rear elevation view thereof; and,

FIG. 9 is a bottom plan view thereof.

The broken lines depict environmental structure that forms no part of the claimed design.

**1 Claim, 5 Drawing Sheets**



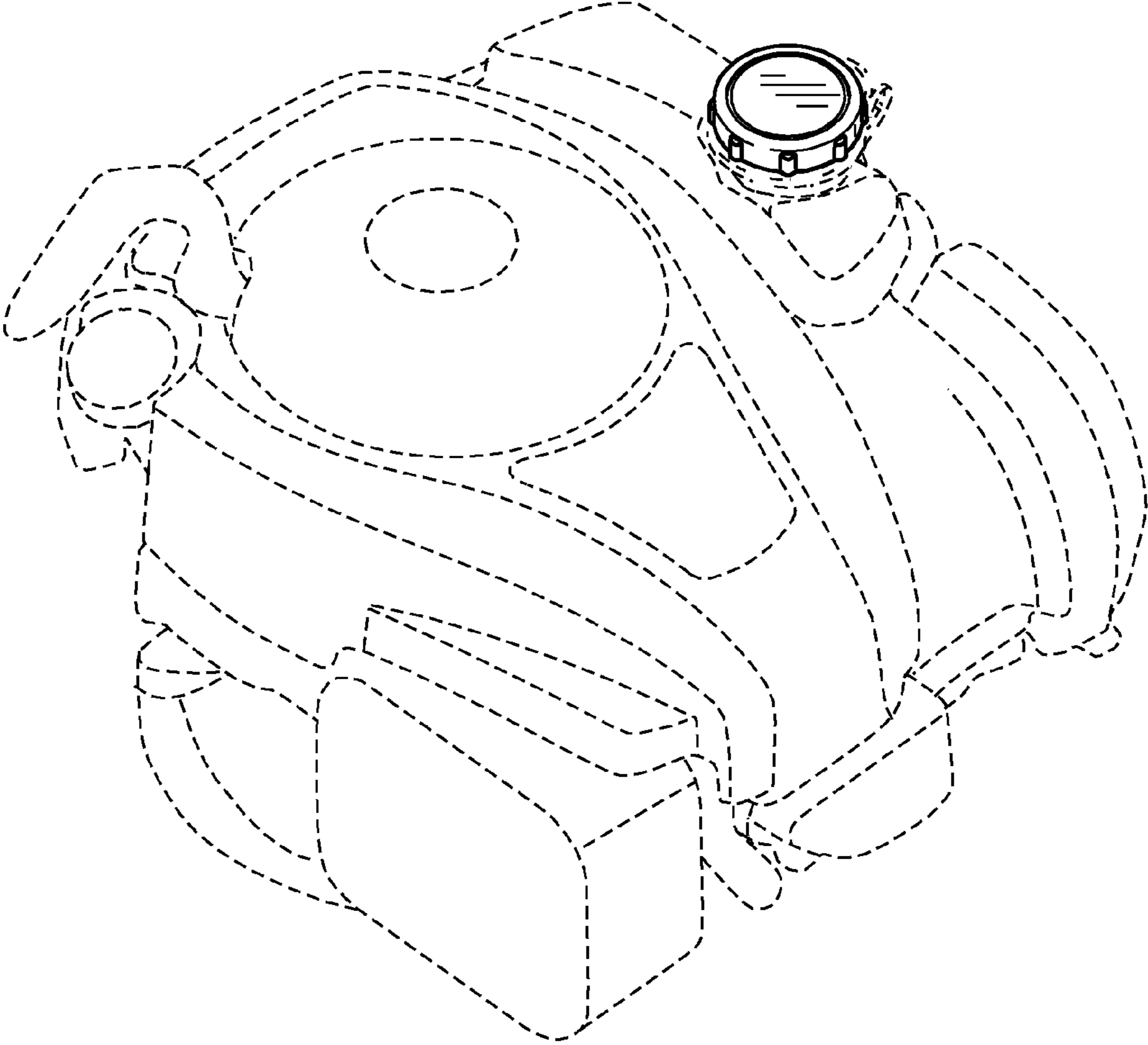


FIG. 1

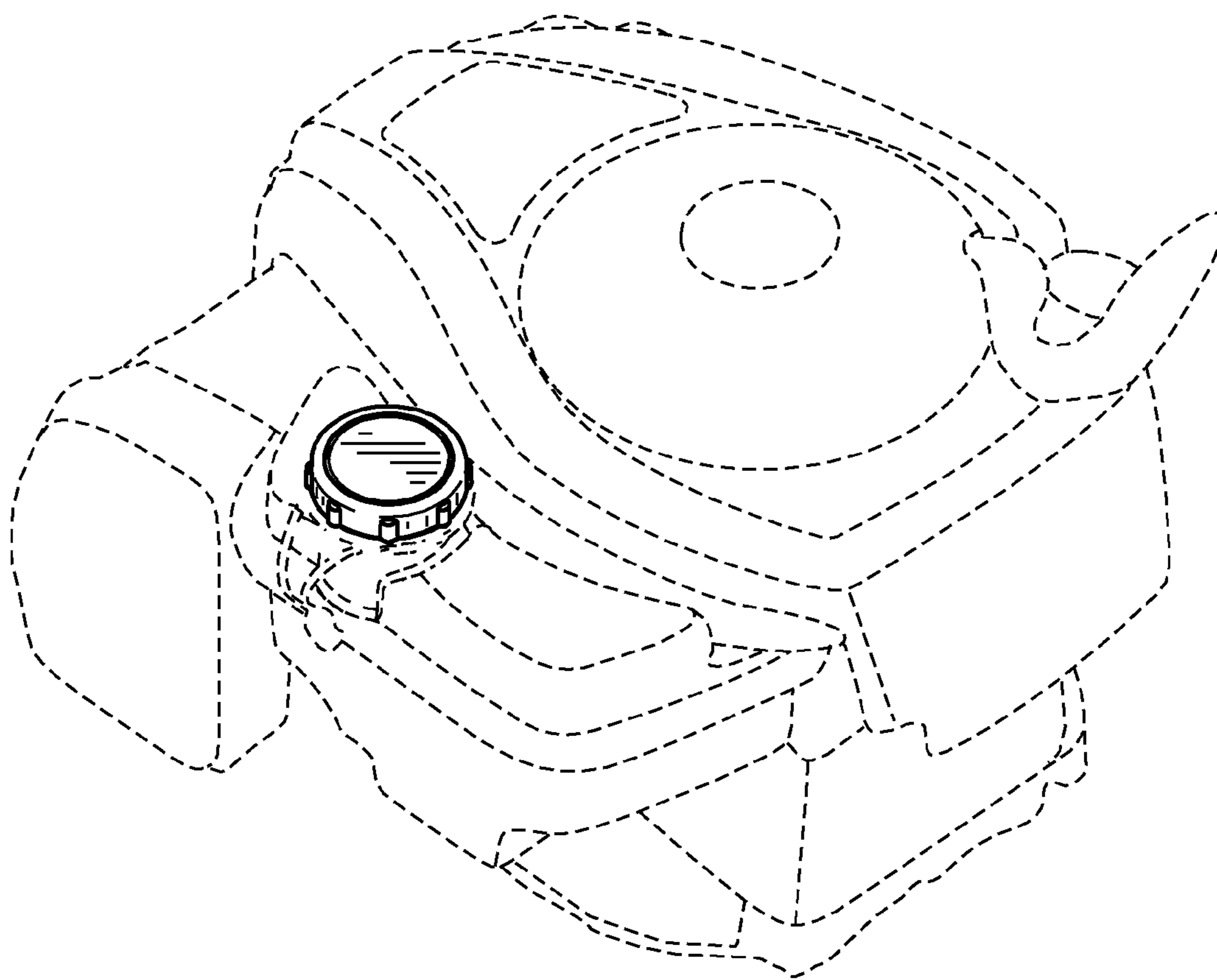


FIG. 2

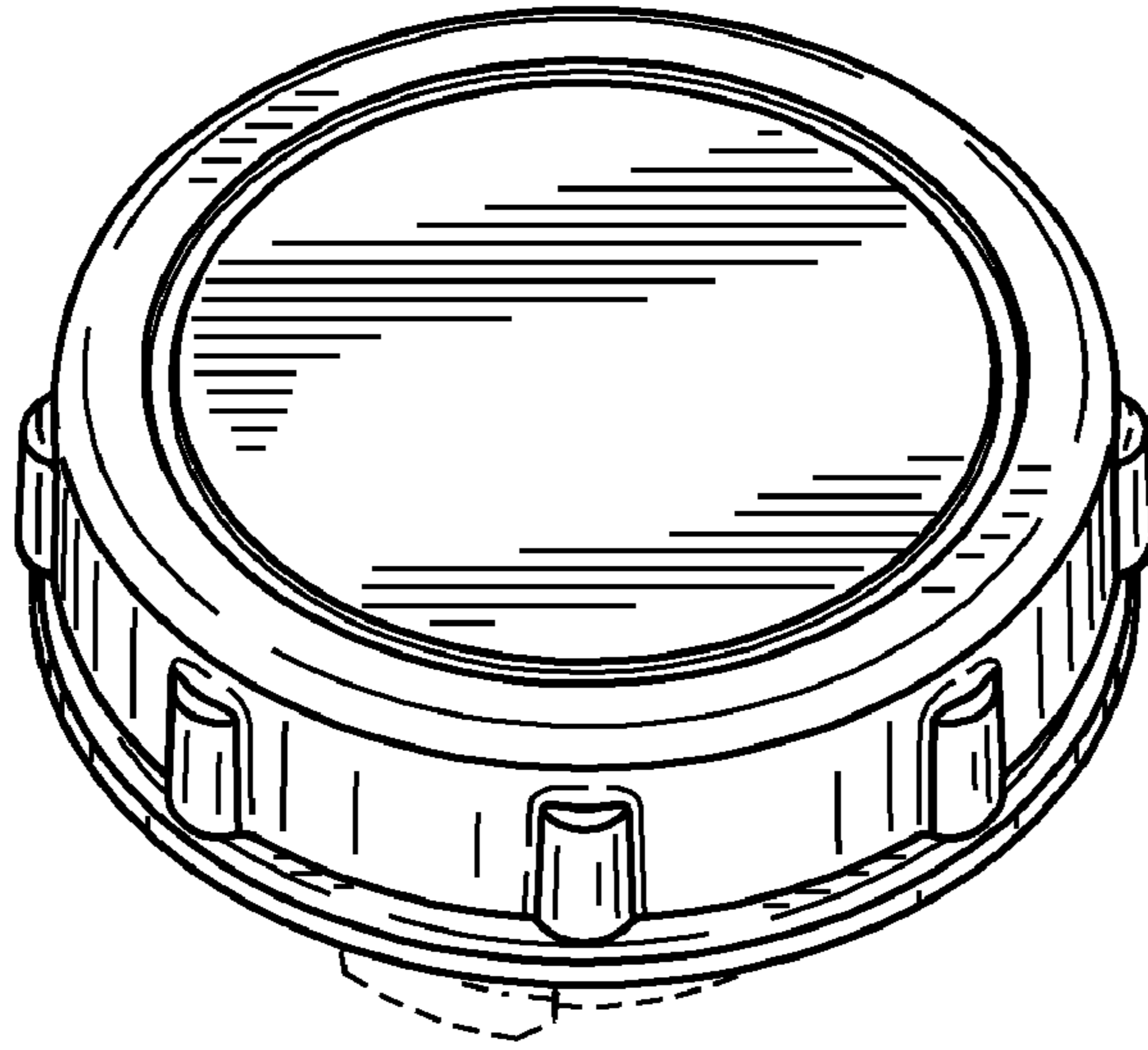


FIG. 3

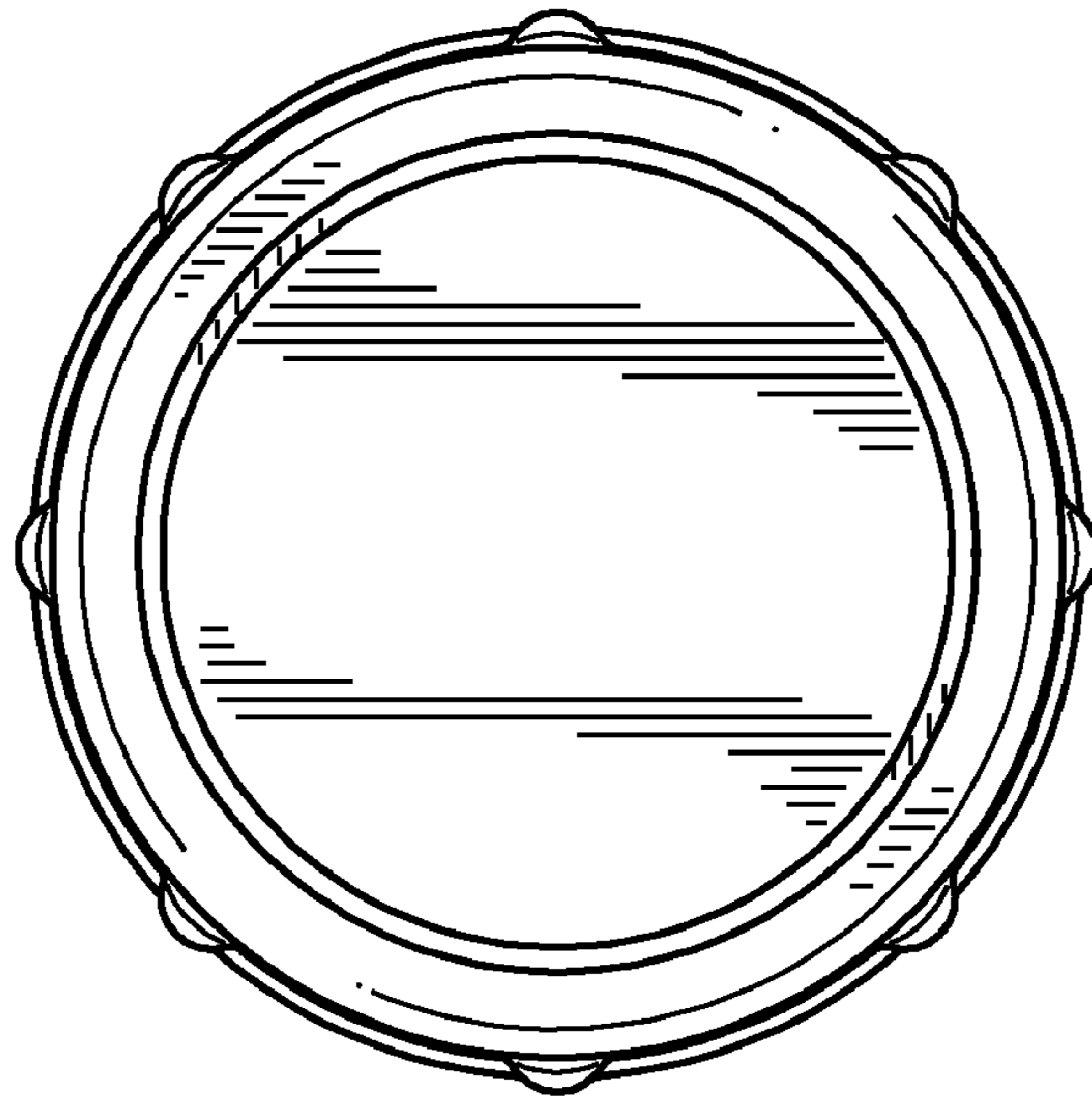


FIG. 4

FIG. 5

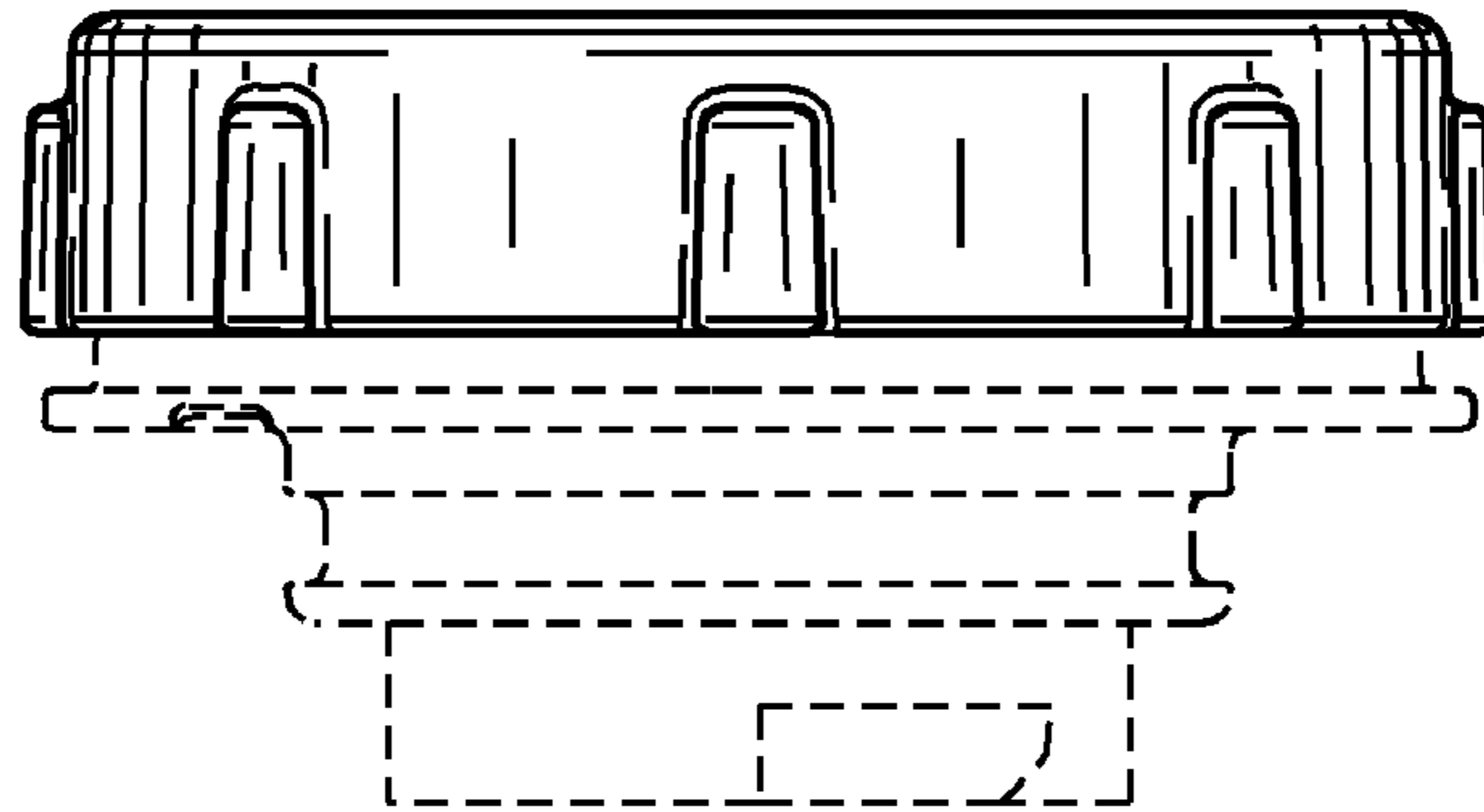


FIG. 6

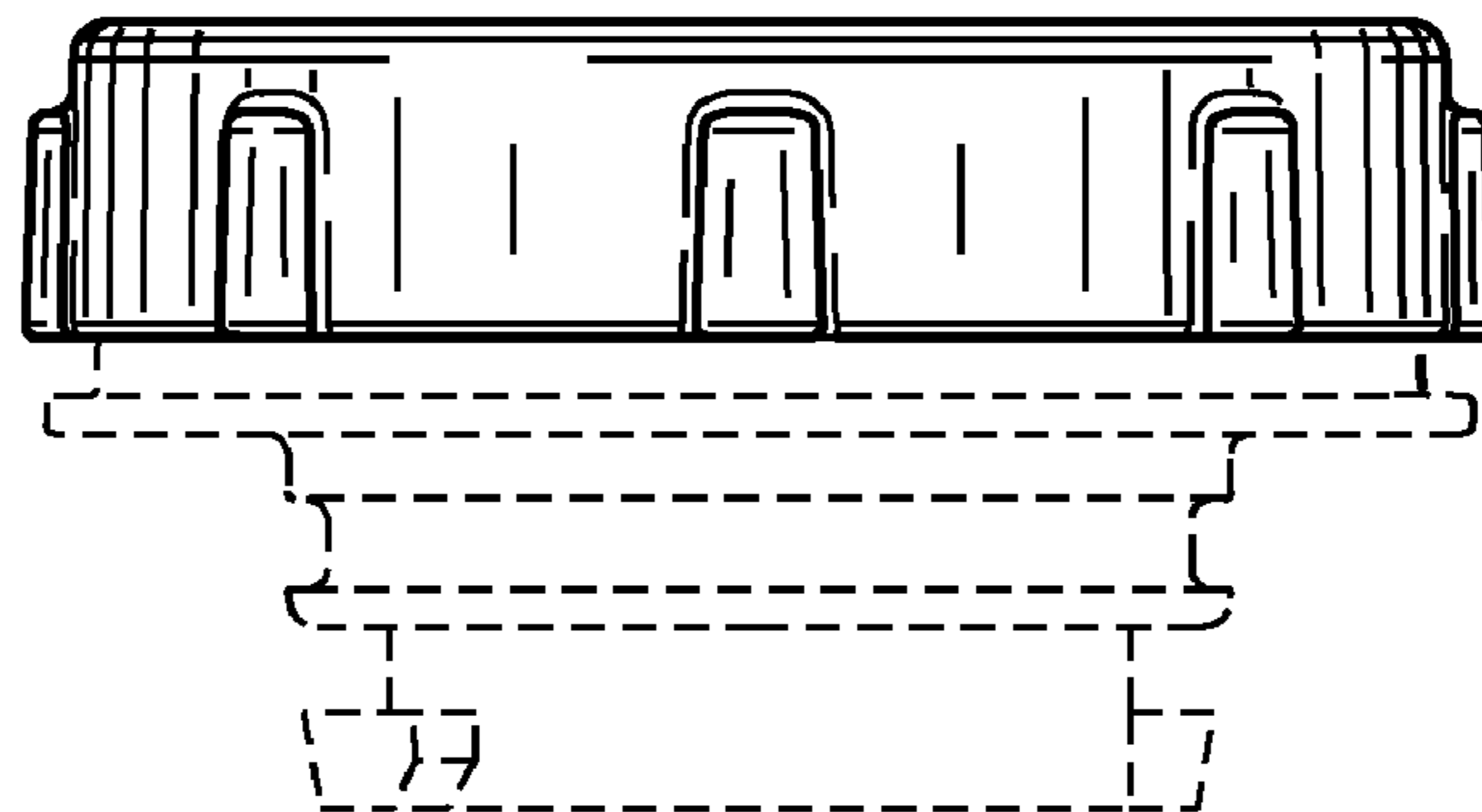


FIG. 7

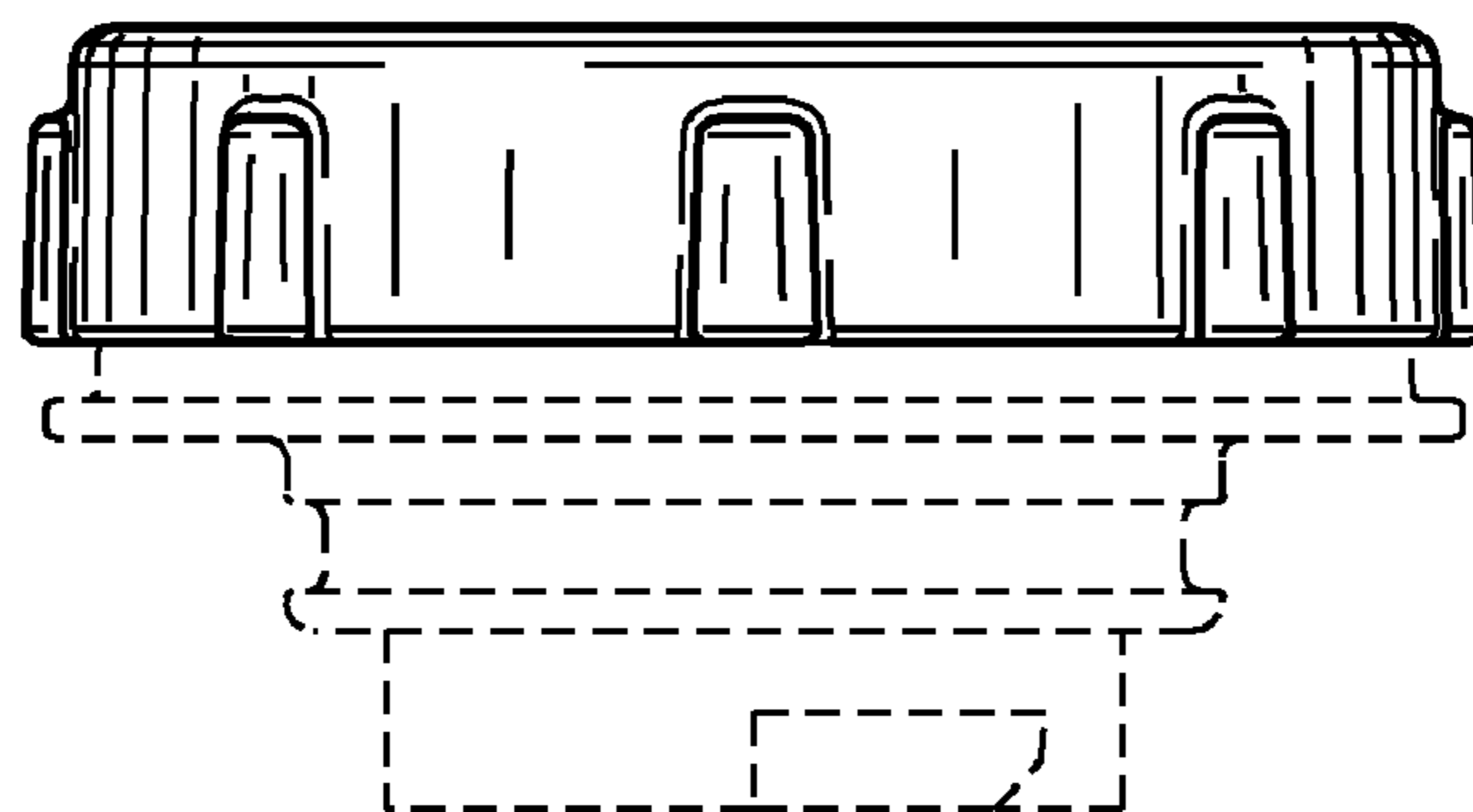


FIG. 8

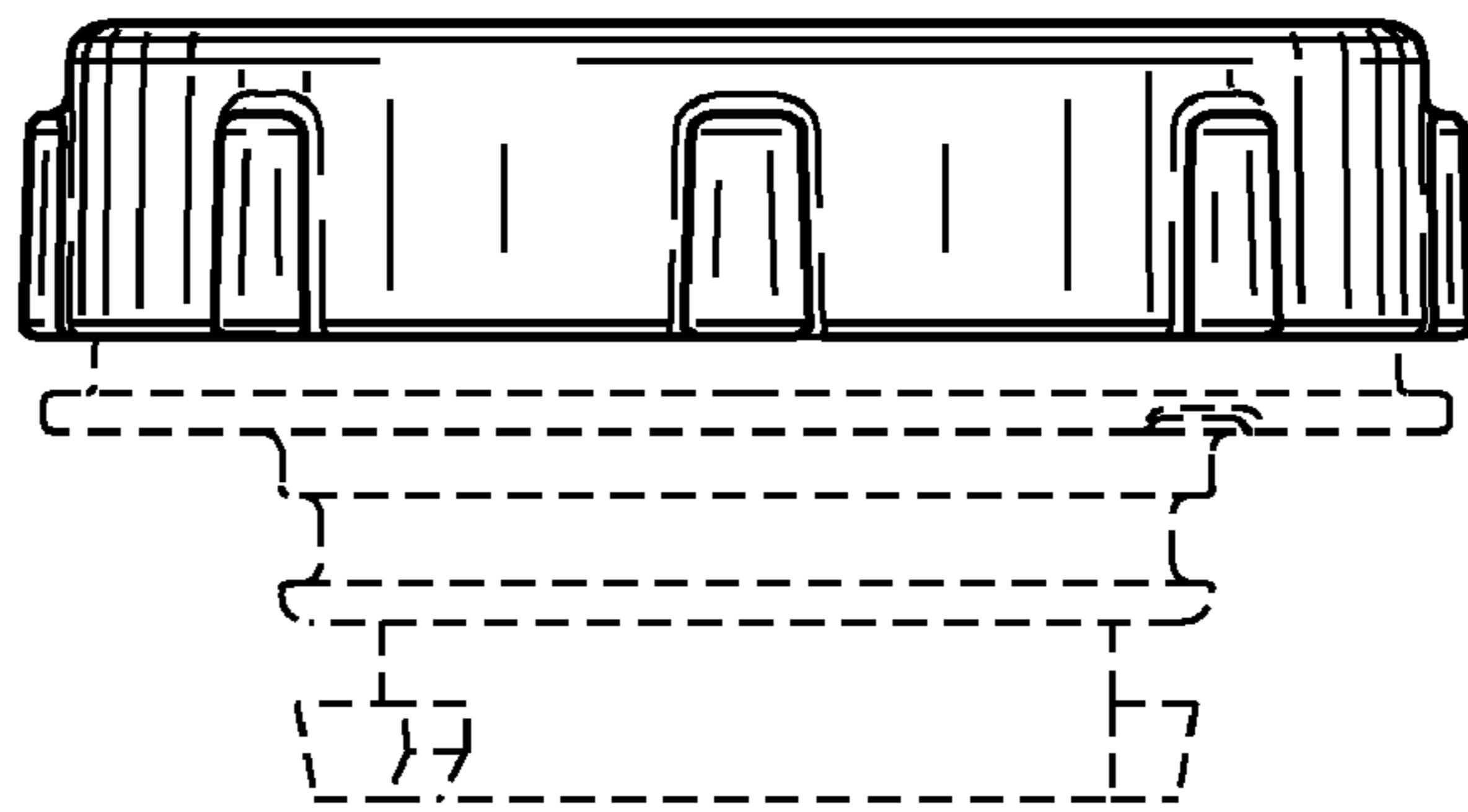


FIG. 9

