



US00D655309S

(12) **United States Design Patent**
Headley

(10) **Patent No.:** **US D655,309 S**
(45) **Date of Patent:** **** Mar. 6, 2012**

(54) **MOTOR**

(75) Inventor: **Thomas R. Headley**, Roanoke, IN (US)

(73) Assignee: **Ingersoll-Rand Company**, Montvale, NJ (US)

(**) Term: **14 Years**

(21) Appl. No.: **29/384,216**

(22) Filed: **Jan. 28, 2011**

(51) **LOC (9) Cl.** **15-01**

(52) **U.S. Cl.** **D15/5**

(58) **Field of Classification Search** D15/1,
D15/2, 3, 5, 6, 14, 17, 149; 123/22, 41.34,
123/51 A, 606 R, 52.1, 50 A, 50 B, 54.1,
123/54.2, 54.4, 54.5, 65 R, 195 R, 195 HC,
123/657, 311

See application file for complete search history.

(56) **References Cited**

U.S. PATENT DOCUMENTS

D624,015 S * 9/2010 Walker et al. D13/112
D626,570 S * 11/2010 Hunt et al. D15/5
D633,924 S * 3/2011 Brancato D15/5

* cited by examiner

Primary Examiner — T. Chase Nelson

Assistant Examiner — Ania Dworzecka

(74) *Attorney, Agent, or Firm* — Michael Best & Friedrich LLP

(57) **CLAIM**

I claim the ornamental design for a motor, as shown and described.

DESCRIPTION

FIG. 1 is a perspective view of a motor.

FIG. 2 is a front elevation view of the motor shown in FIG. 1.

FIG. 3 is a rear elevation view of the motor shown in FIGS. 1 and 2.

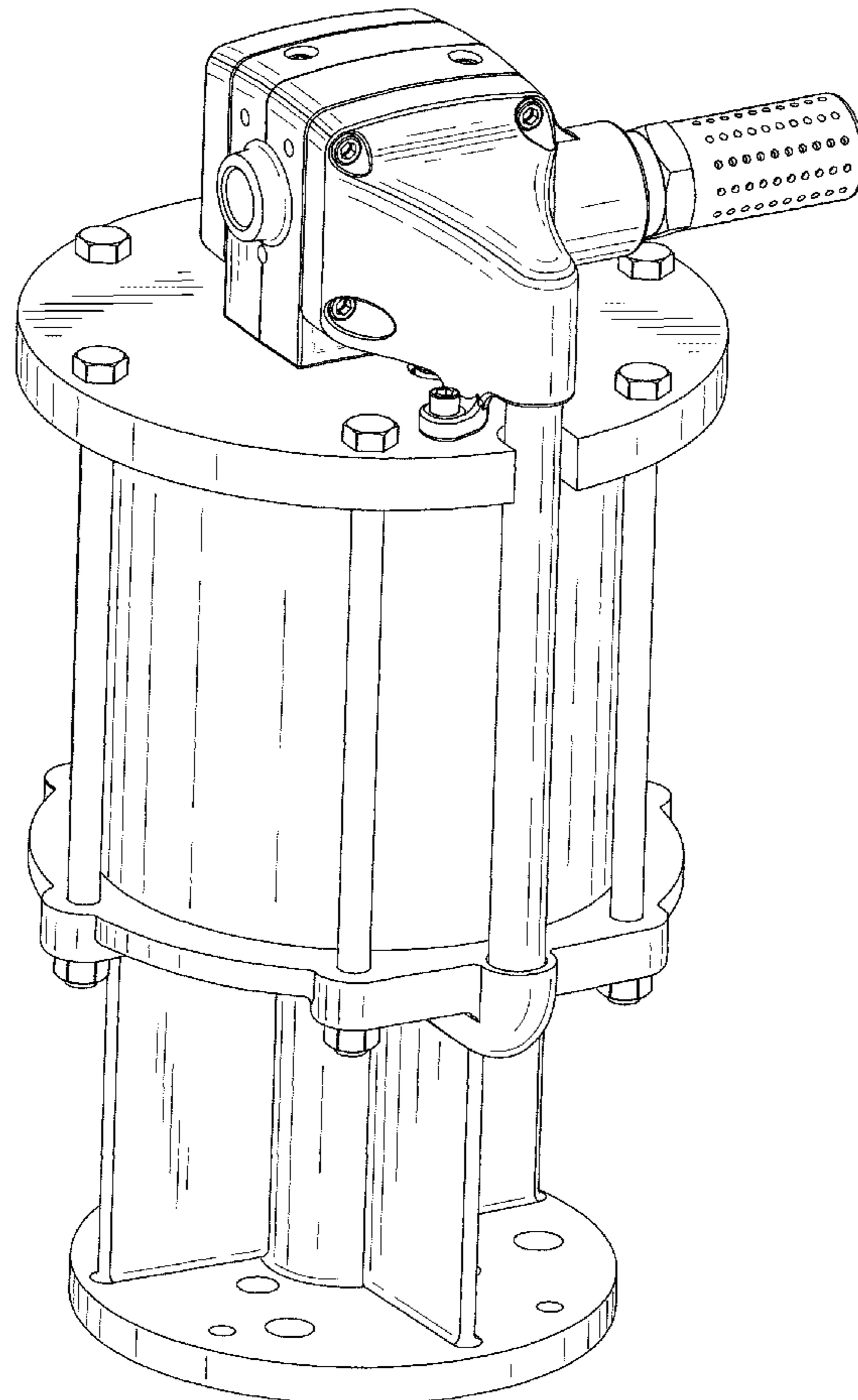
FIG. 4 is a right side elevation view of the motor shown in FIGS. 1-3.

FIG. 5 is a left side elevation view of the motor shown in FIGS. 1-4.

FIG. 6 is a top plan view of the motor shown in FIGS. 1-5; and,

FIG. 7 is a bottom plan view of the motor shown in FIGS. 1-6. The broken line showing of the environment and of portions of the motor is for illustrative purposes only and forms no part of the claimed design.

1 Claim, 6 Drawing Sheets



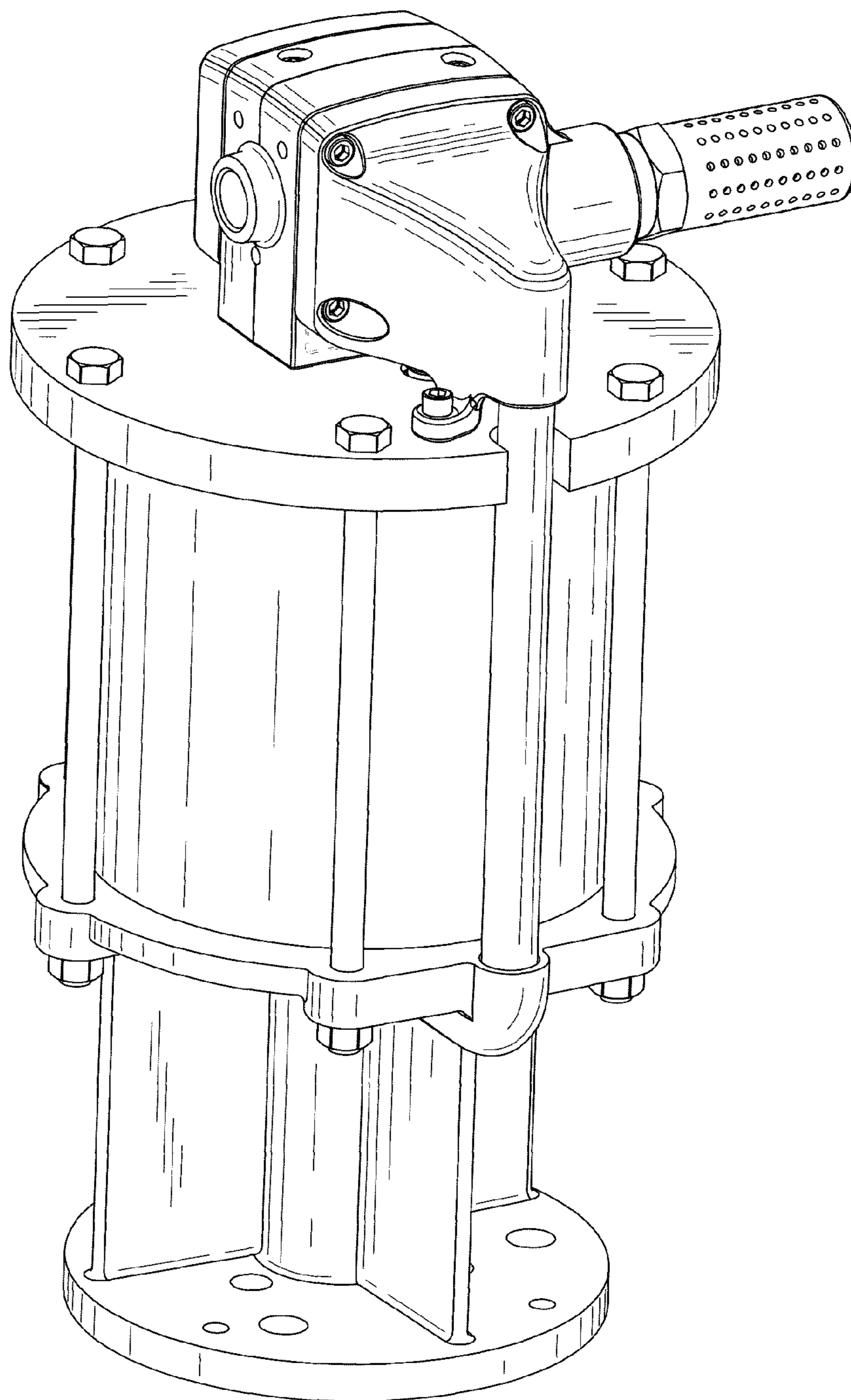


FIG. 1

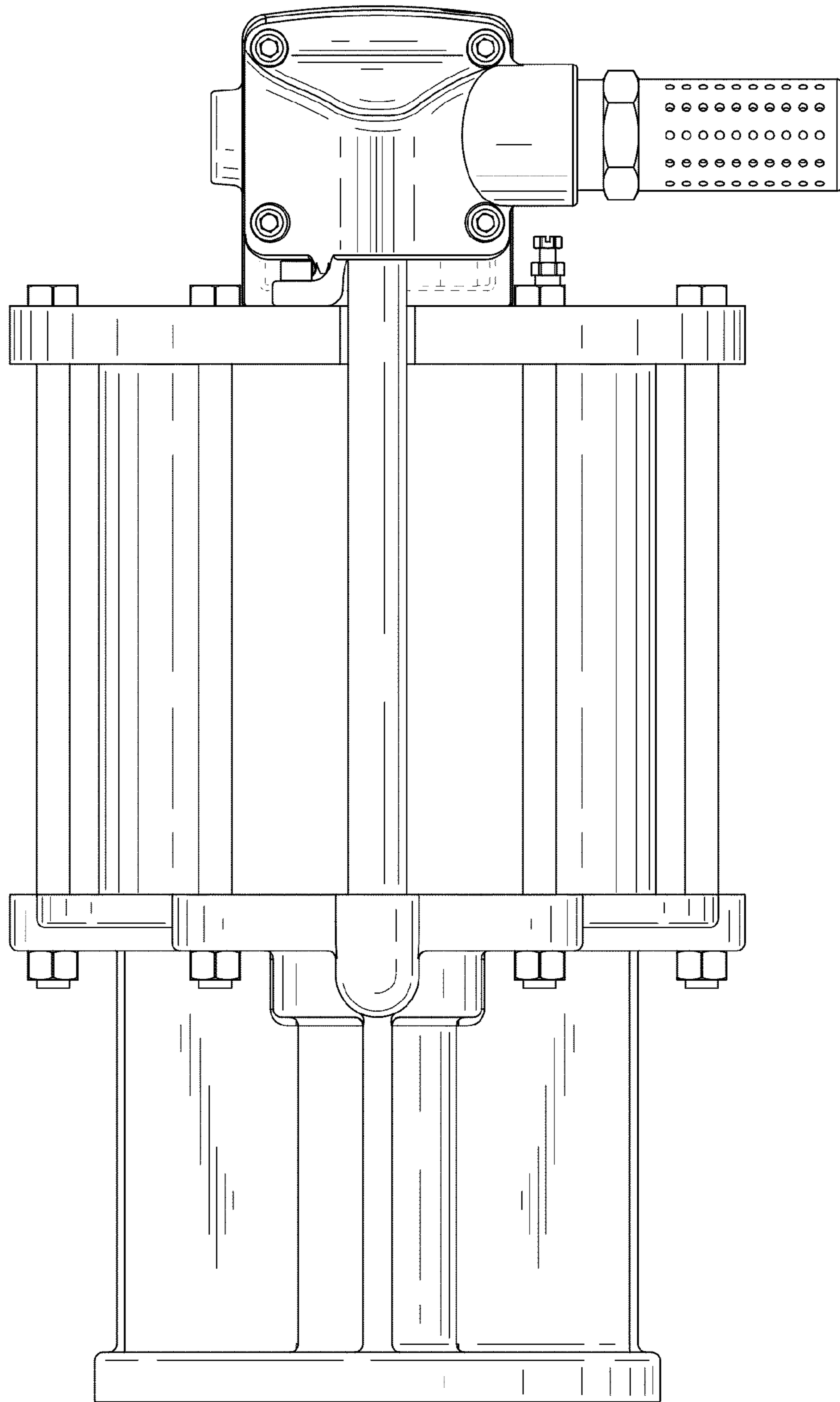


FIG. 2

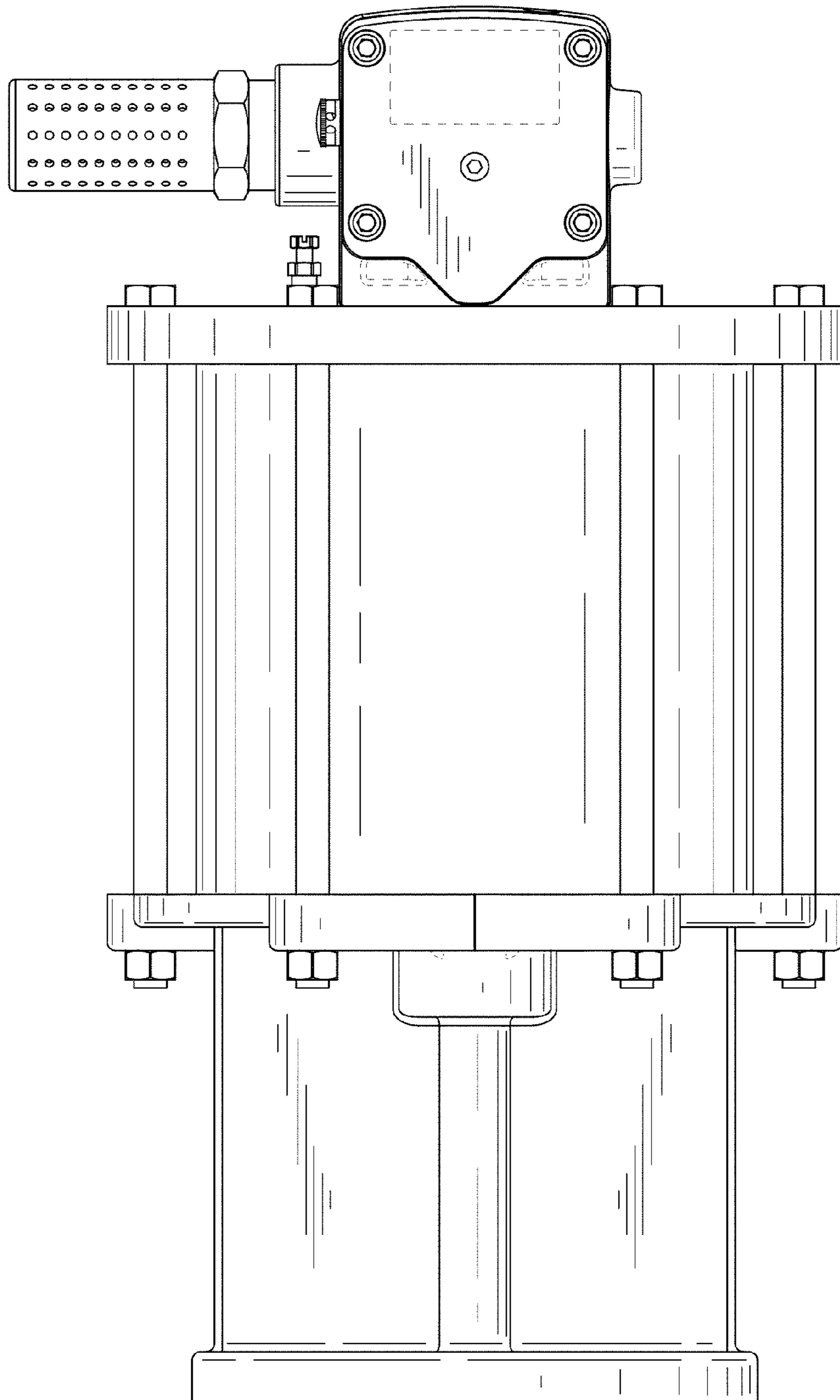


FIG. 3

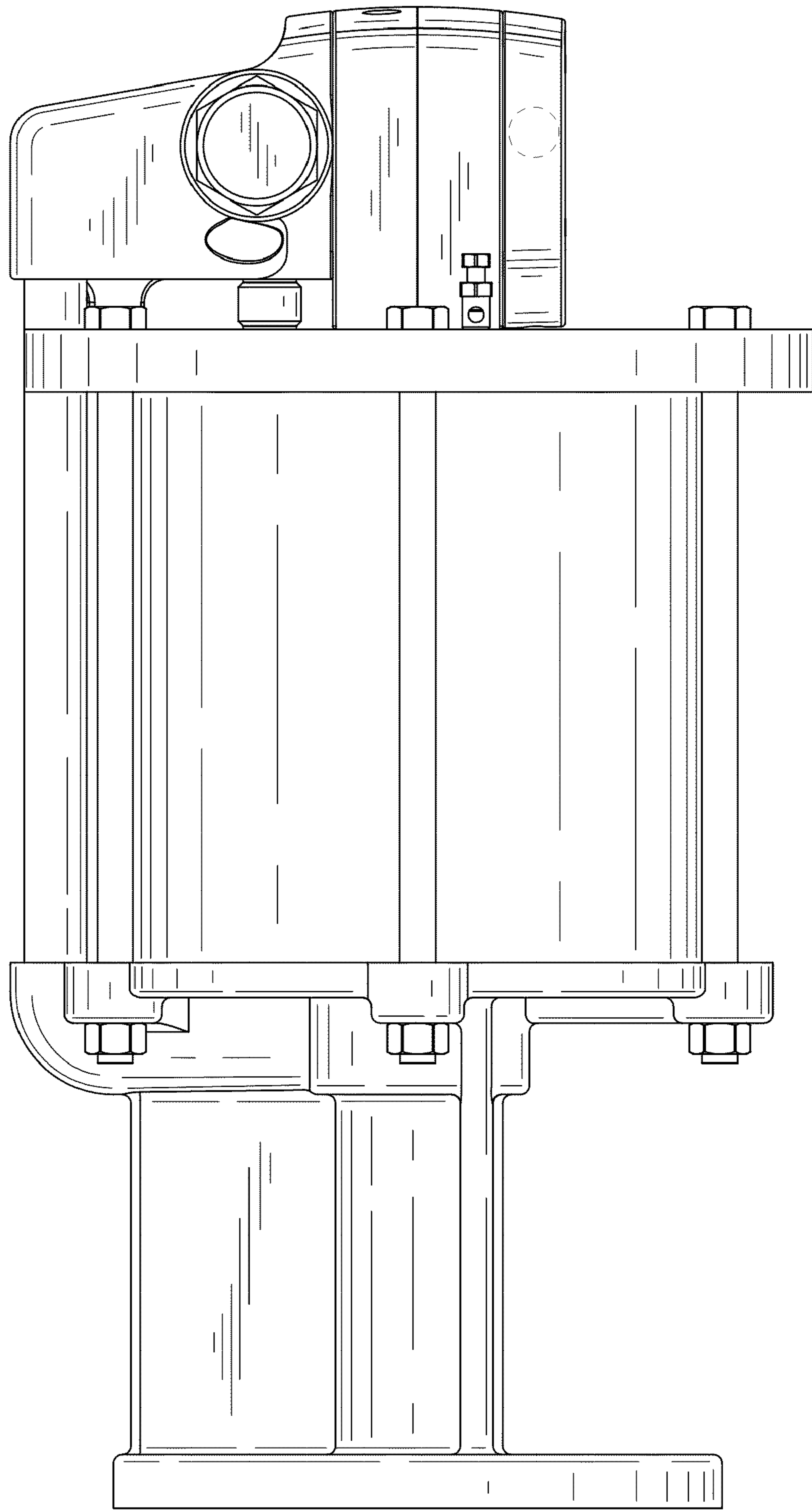


FIG. 4

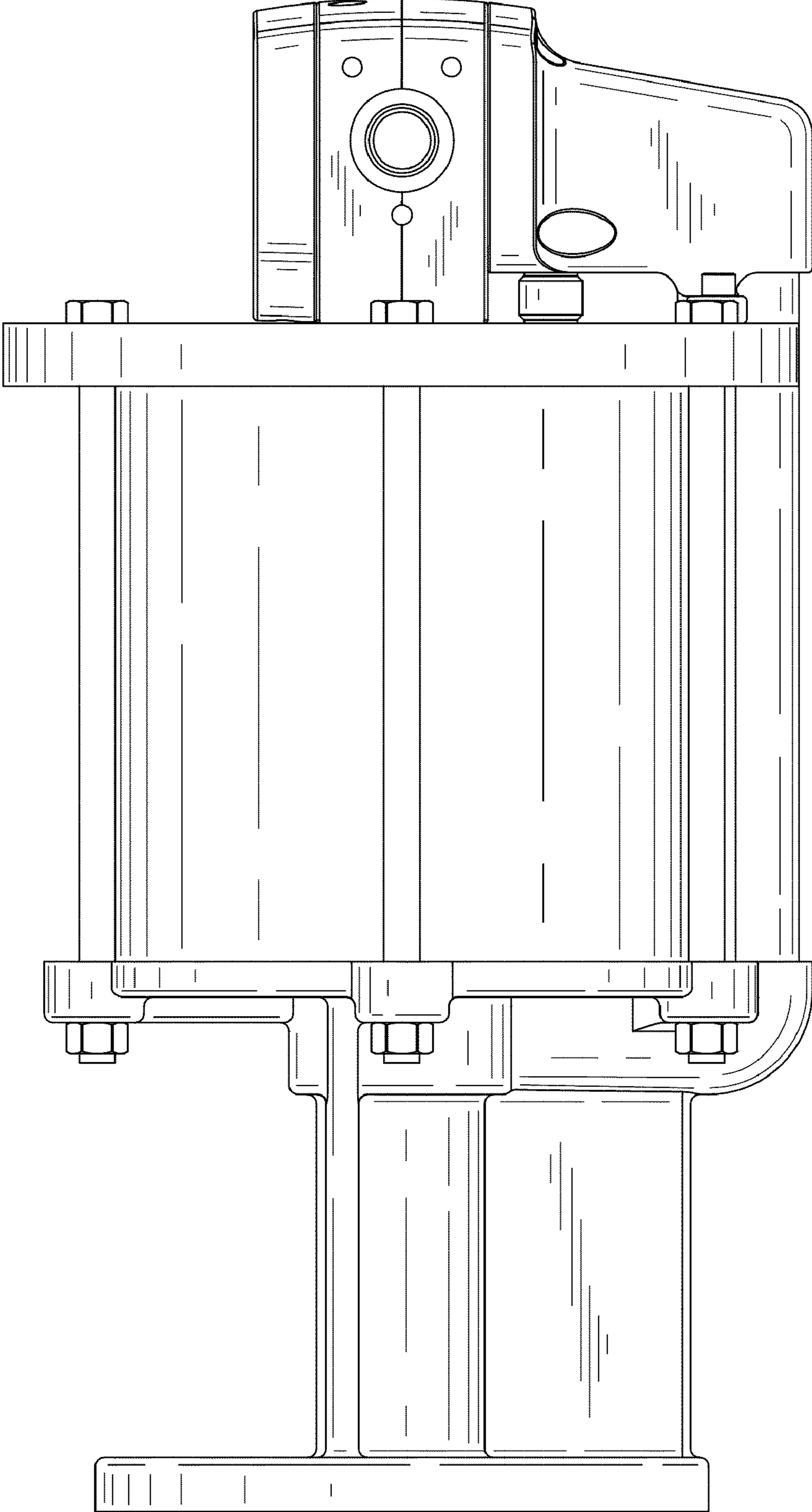


FIG. 5

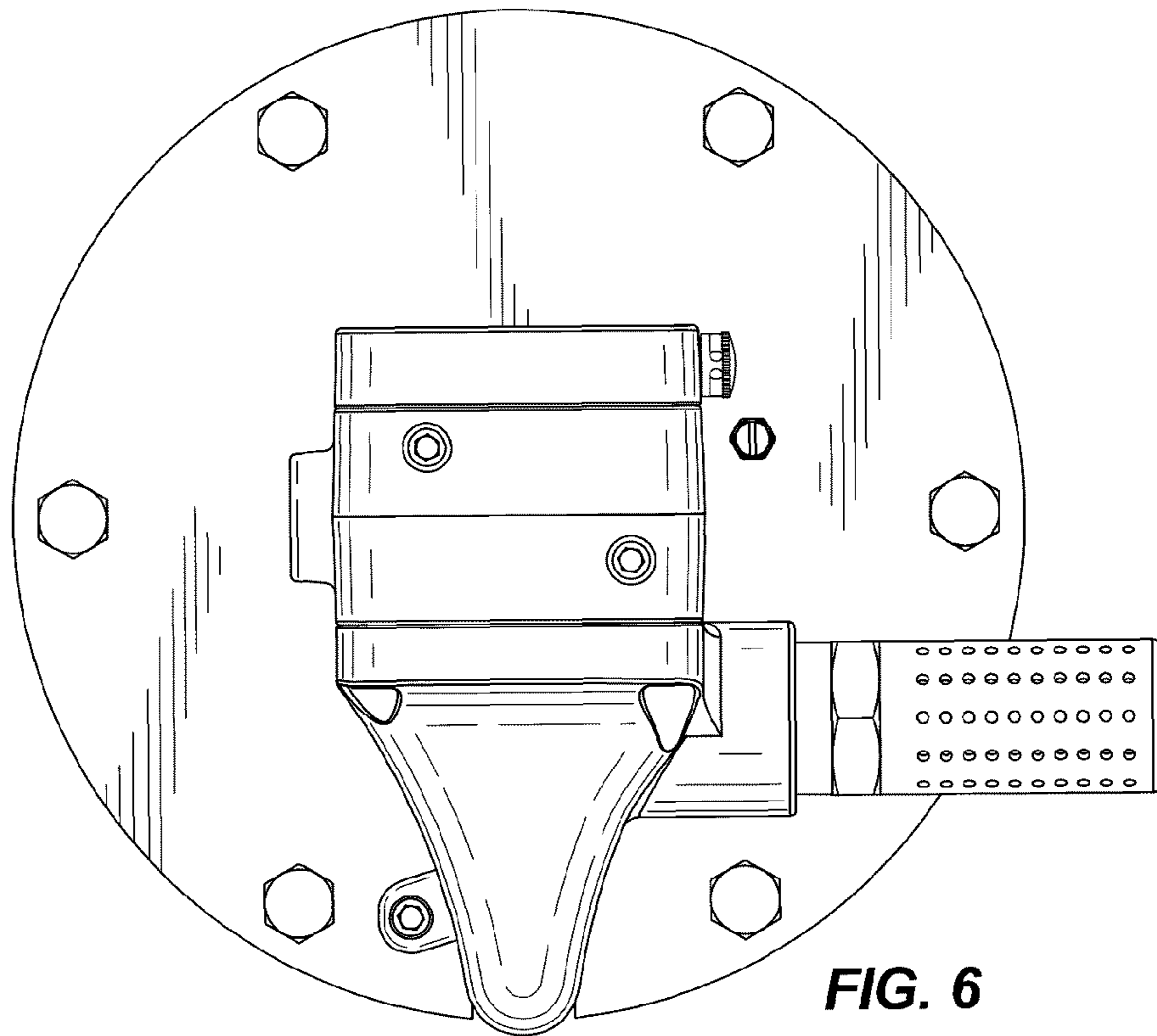


FIG. 6

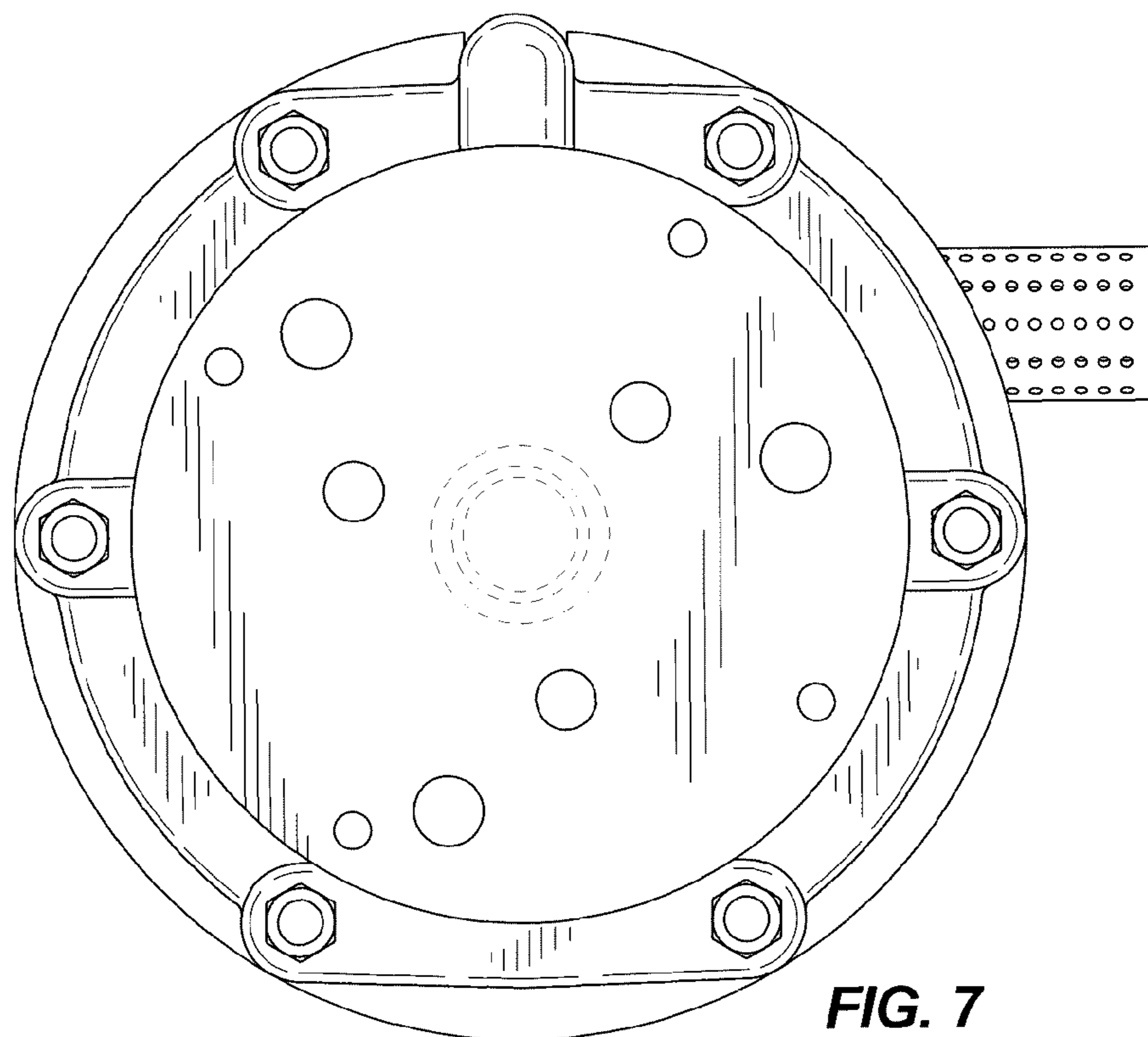


FIG. 7