



US00D655308S

(12) **United States Design Patent**
Steinberg

(10) **Patent No.:** **US D655,308 S**

(45) **Date of Patent:** **** Mar. 6, 2012**

(54) **OUTBOARD MOTOR**

(75) Inventor: **Claus Steinberg**, Unterhaching (DE)

(73) Assignee: **Torqueedo GmbH**, Starnberg (DE)

(**) Term: **14 Years**

(21) Appl. No.: **29/397,416**

(22) Filed: **Jul. 15, 2011**

(51) **LOC (9) Cl.** **15-01**

(52) **U.S. Cl.** **D15/4**

(58) **Field of Classification Search** D15/1-5,
D15/149; 123/195 P; 440/3, 4, 88 R, 52;
D12/317, 181

See application file for complete search history.

(56) **References Cited**

U.S. PATENT DOCUMENTS

D241,682 S *	9/1976	Funabashi et al.	D15/4
D318,474 S *	7/1991	Reynolds	D15/4
D543,215 S *	5/2007	Namiki et al.	D15/4
D552,129 S *	10/2007	Steinberg et al.	D15/4
D552,130 S *	10/2007	Steinberg et al.	D15/4

FOREIGN PATENT DOCUMENTS

EM 001801085-0001 3/2011

* cited by examiner

Primary Examiner — T. Chase Nelson

Assistant Examiner — Ania Aman

(74) *Attorney, Agent, or Firm* — Crowell & Moring LLP

(57) **CLAIM**

The ornamental design for an outboard motor, as shown and described.

DESCRIPTION

FIG. 1 is a right, rear perspective view of an outboard motor according to my design;

FIG. 2 is a bottom, front perspective view thereof, from the right;

FIG. 3 is a left, rear perspective view thereof;

FIG. 4 is a bottom, front perspective view thereof, from the left;

FIG. 5 is a right side view thereof;

FIG. 6 is a left side view thereof;

FIG. 7 is a front view thereof;

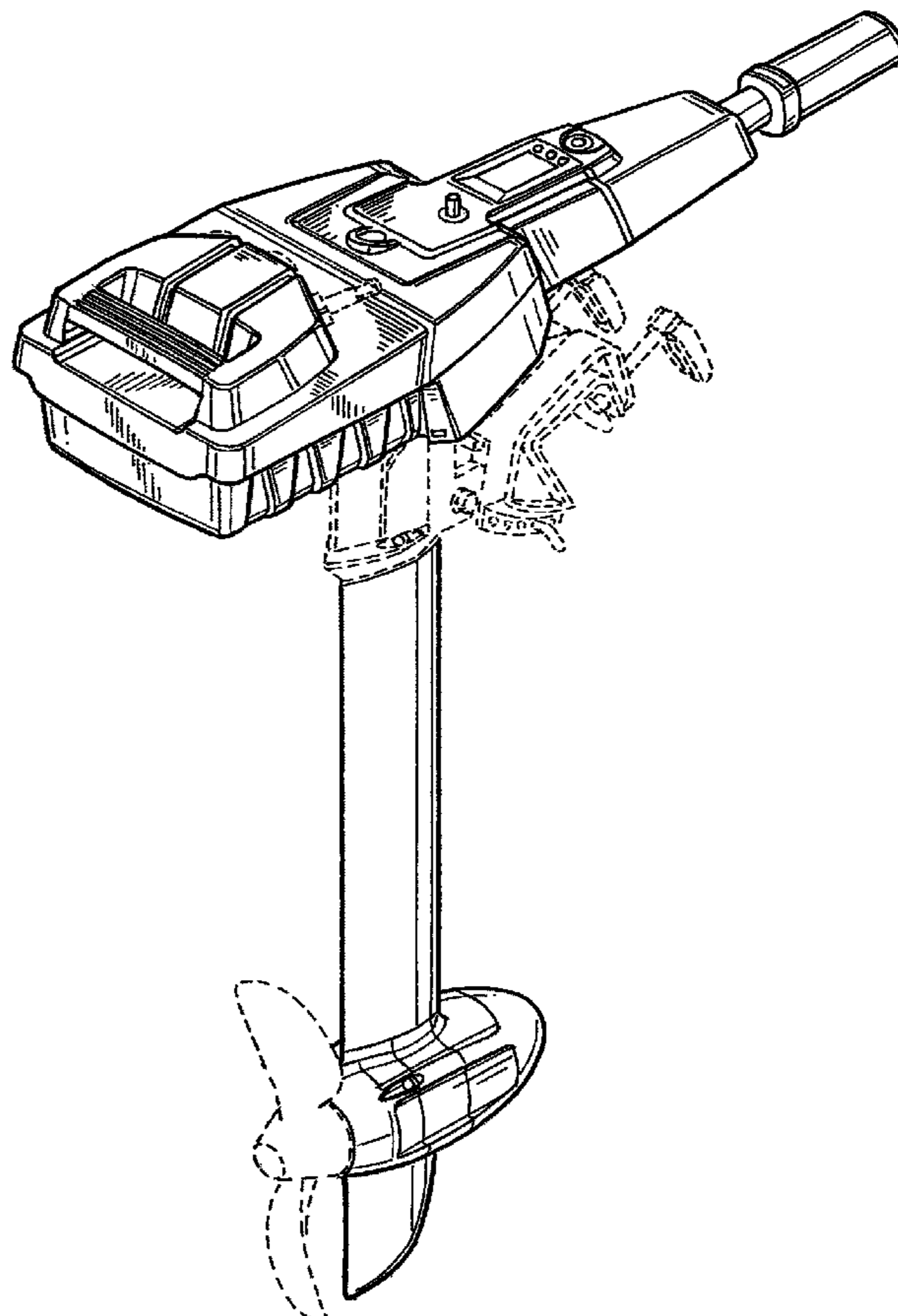
FIG. 8 is a rear view thereof;

FIG. 9 is a top view thereof; and,

FIG. 10 is a bottom view thereof.

The broken lines are for illustrative purposes only and form no part of the claimed design.

1 Claim, 9 Drawing Sheets



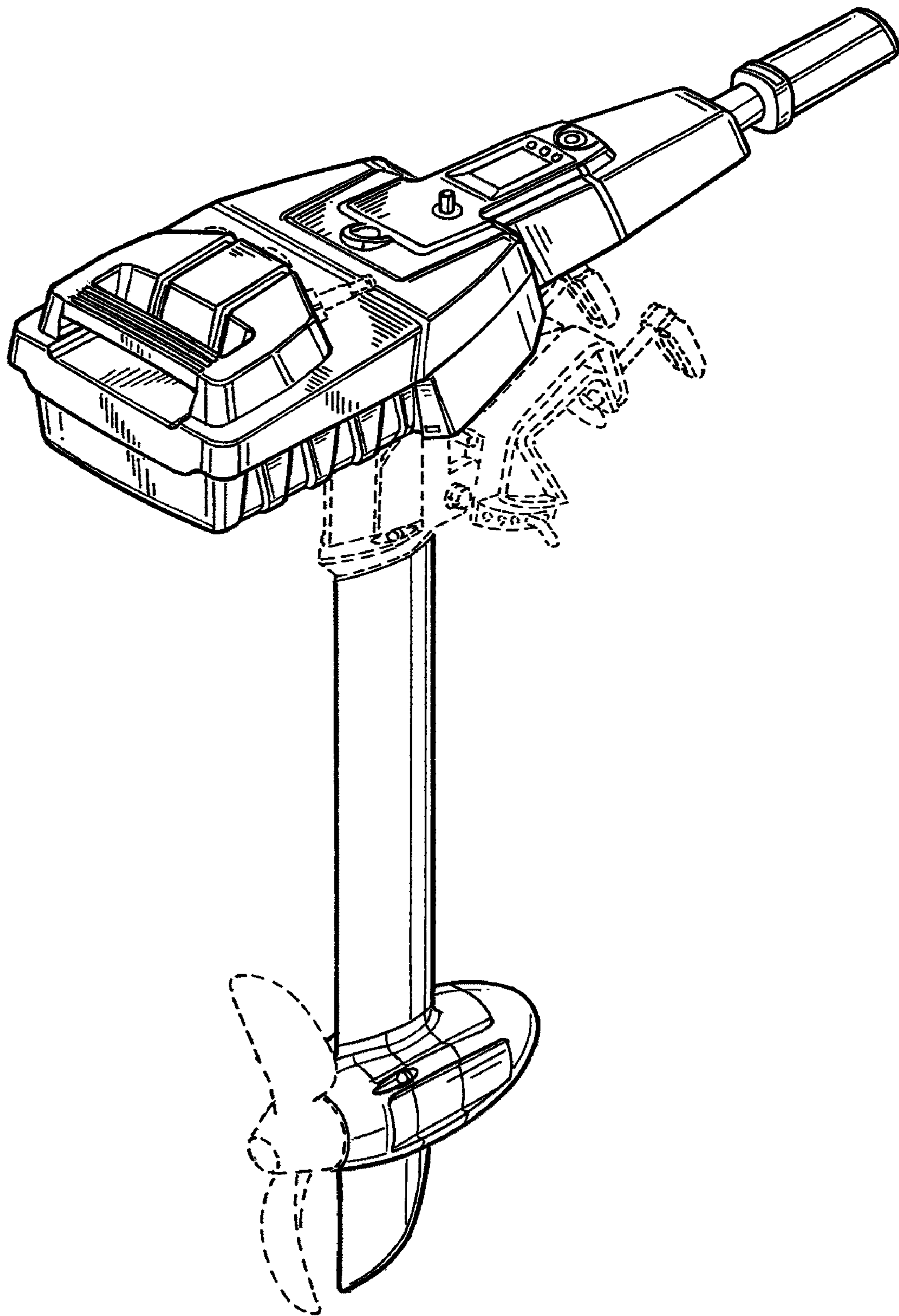


FIG. 1

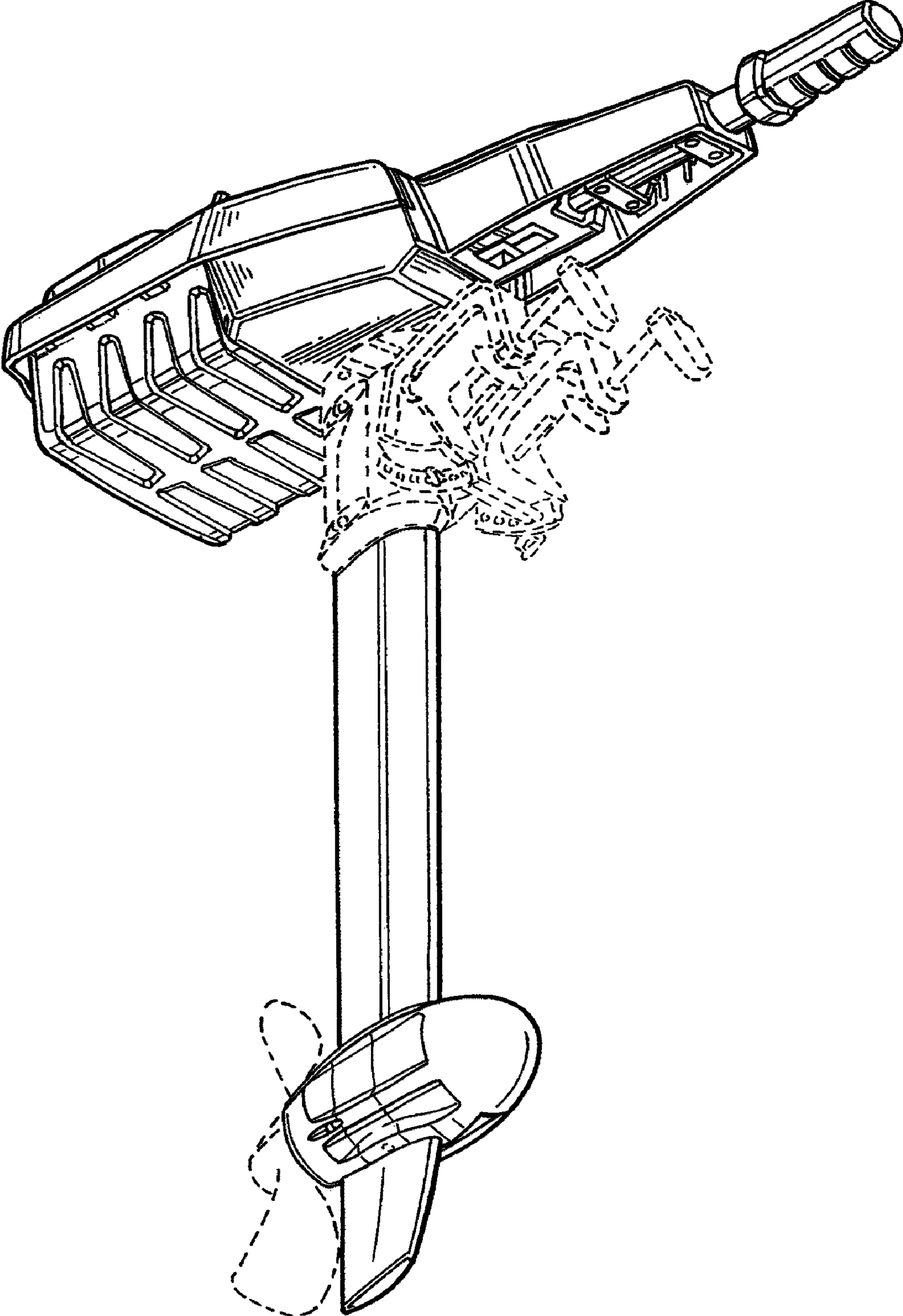


FIG. 2

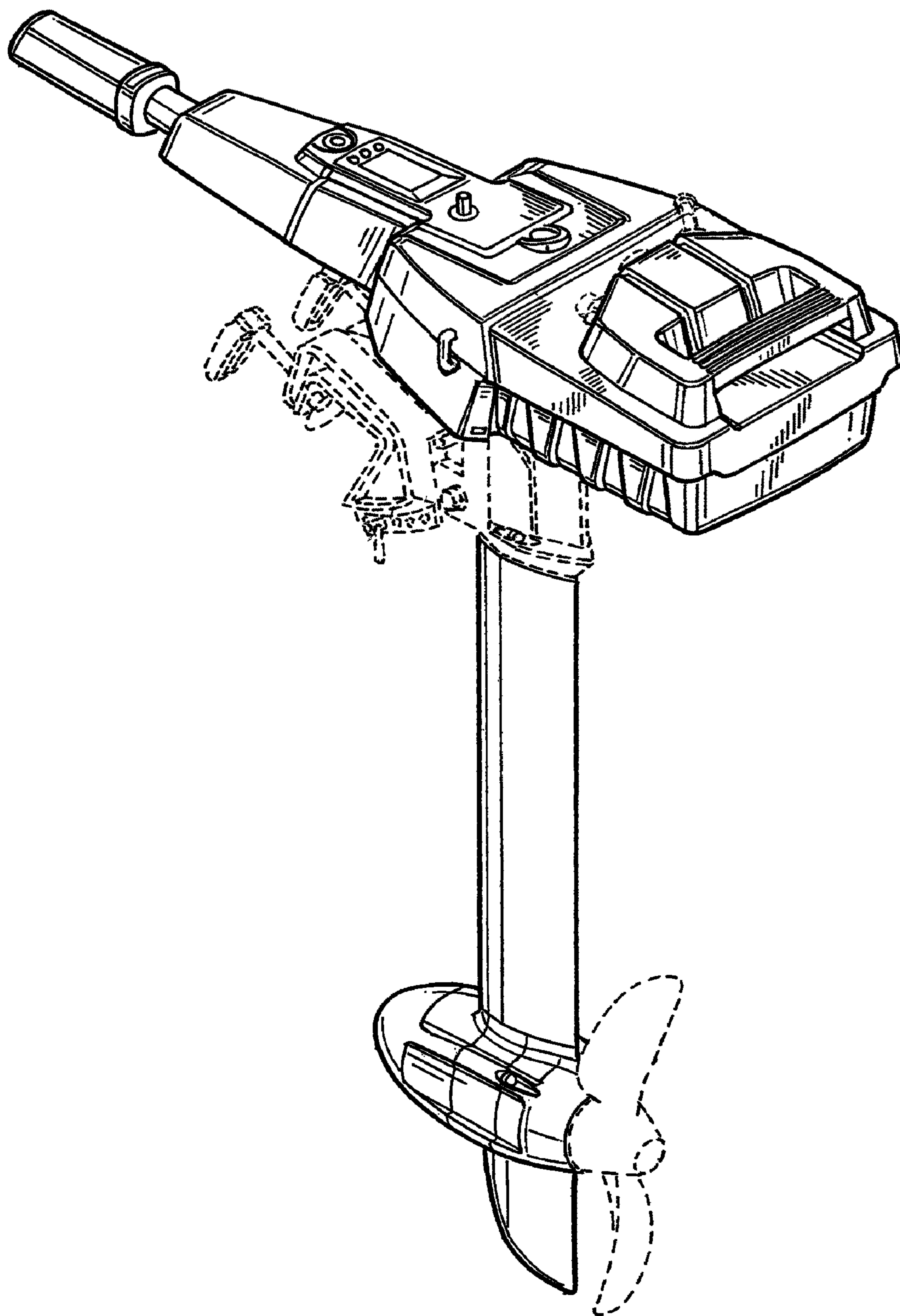


FIG. 3

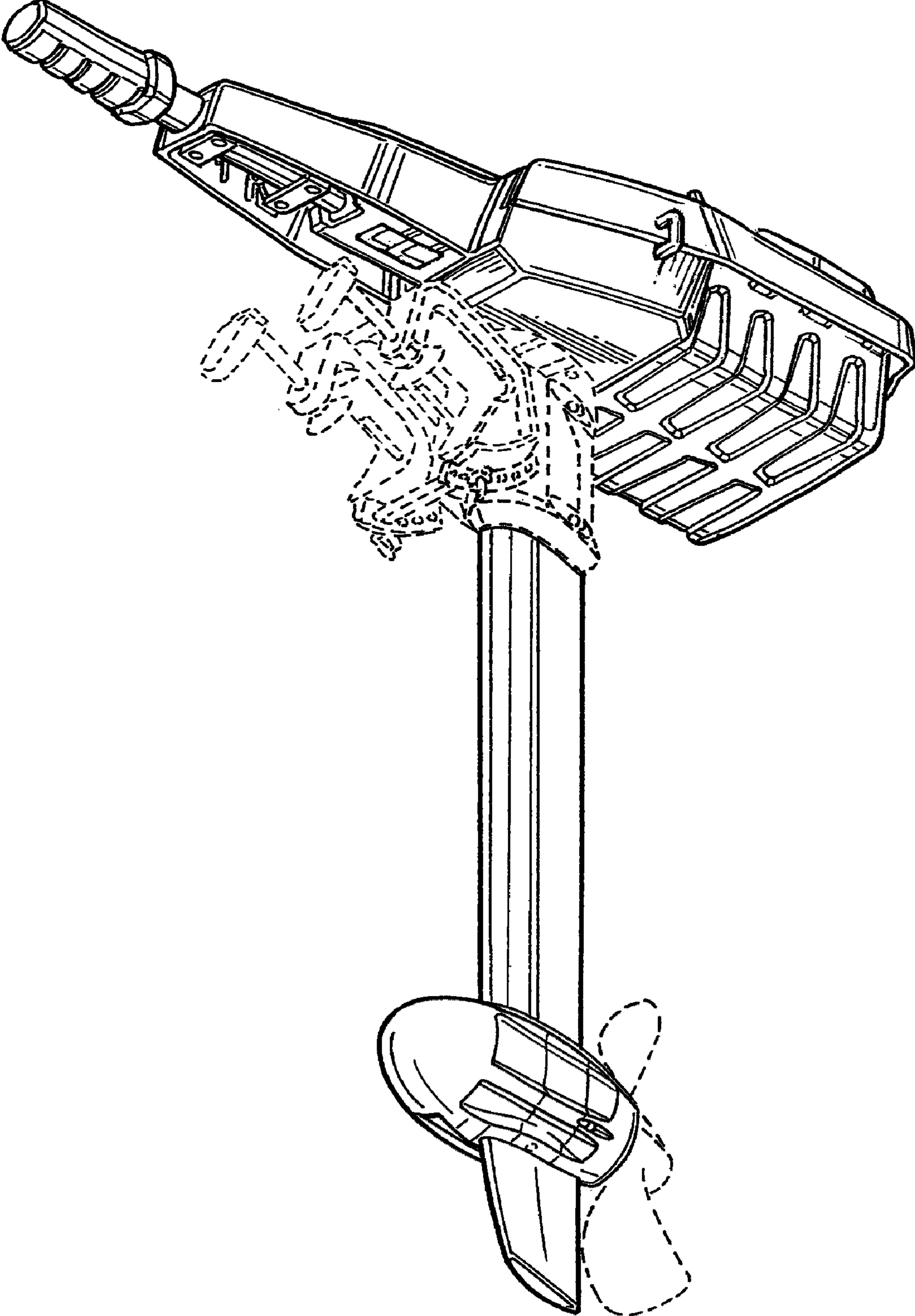


FIG. 4

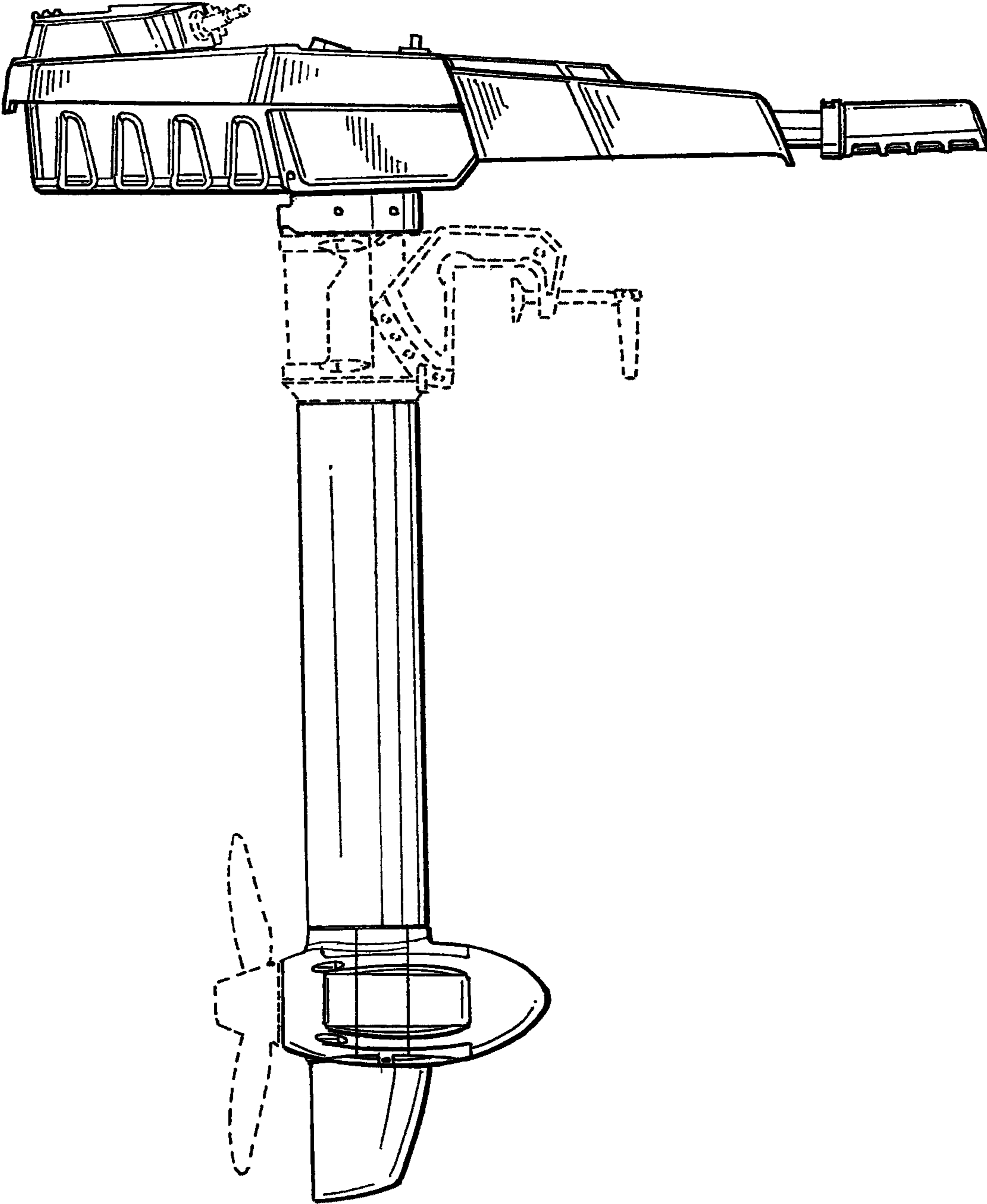


FIG. 5

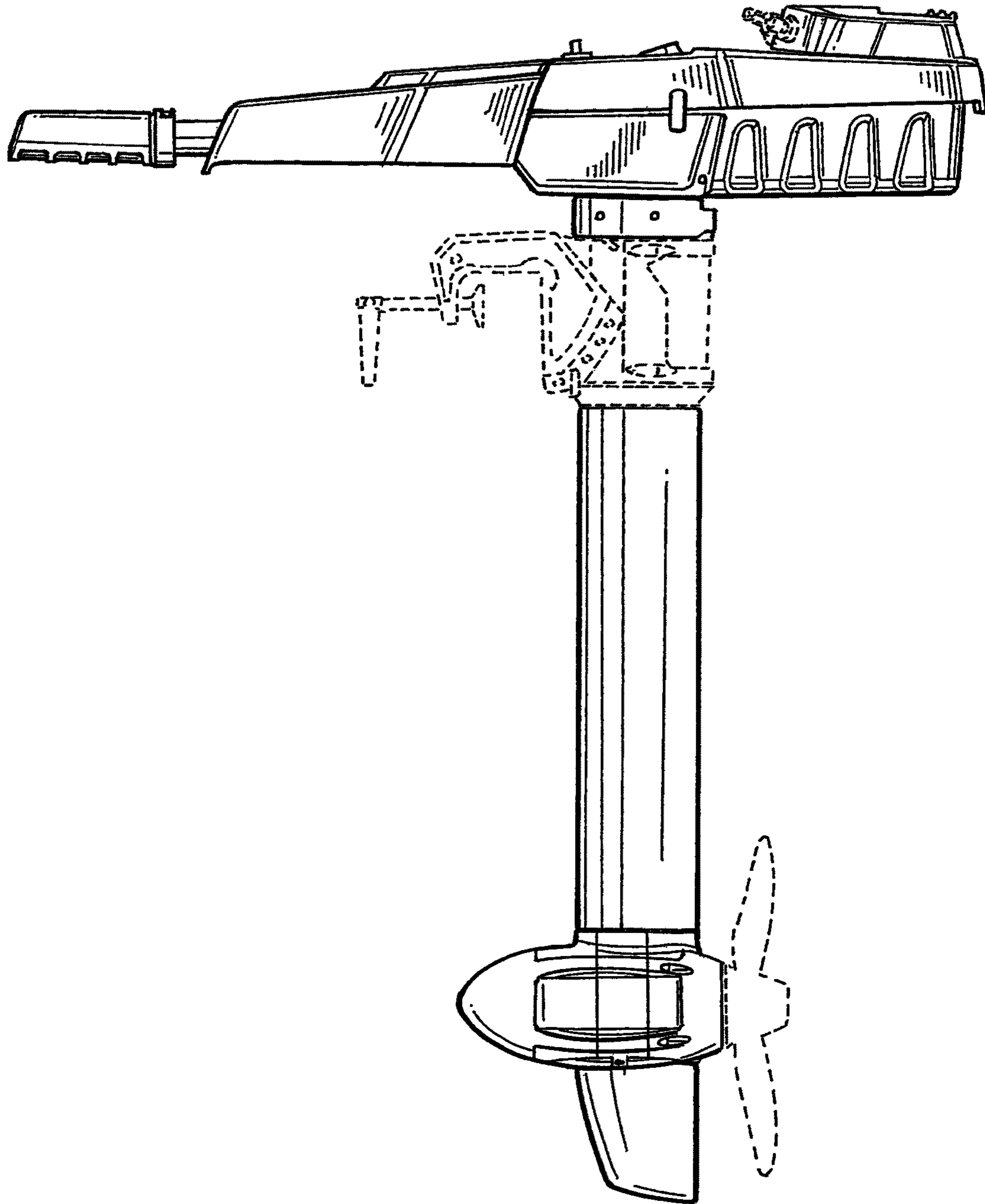


FIG. 6

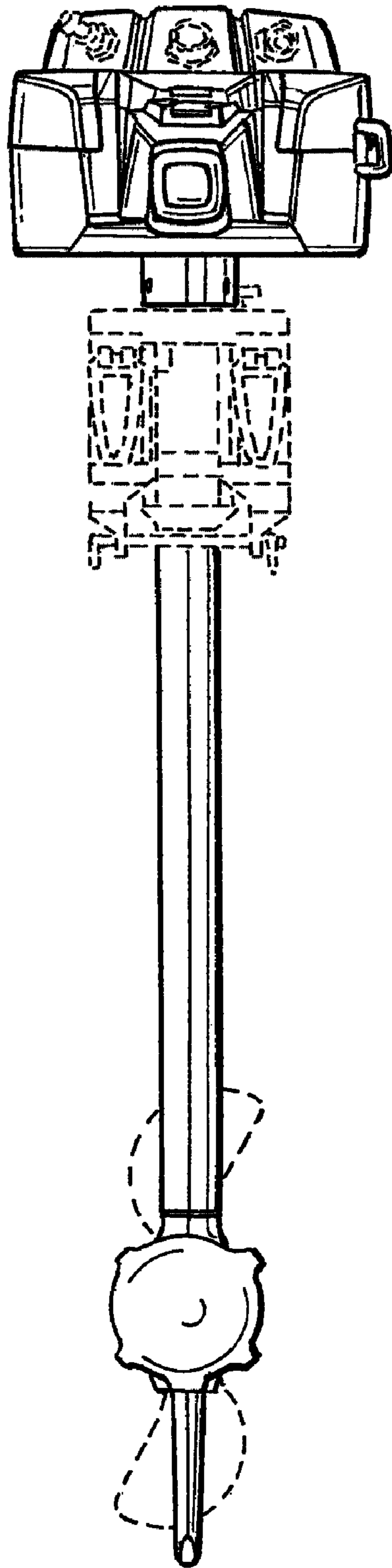


FIG. 7

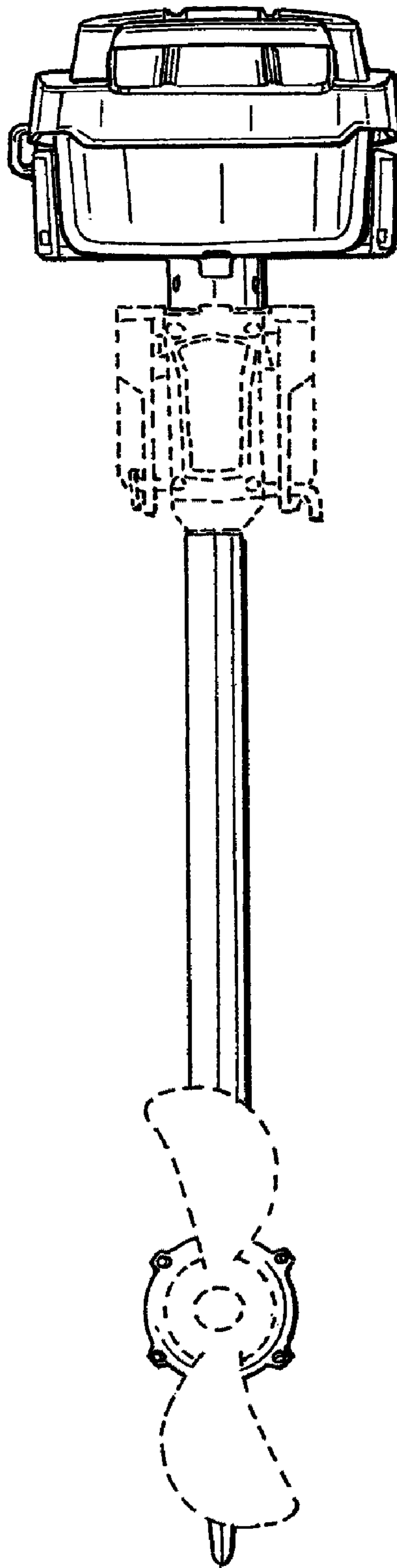


FIG. 8

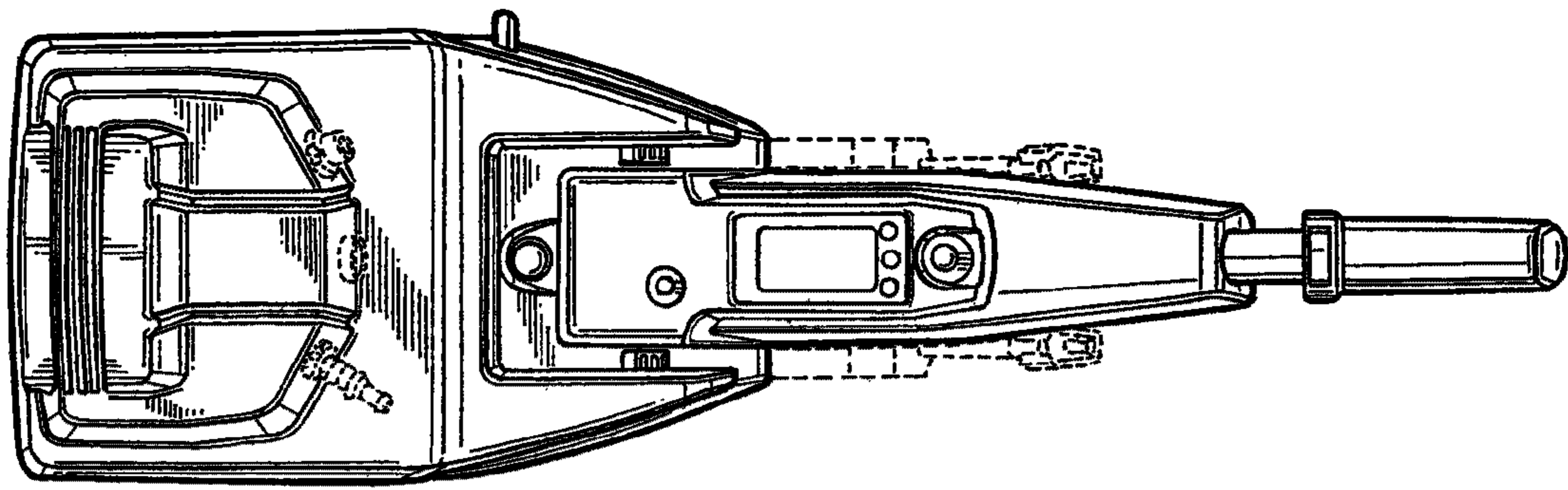


FIG. 9

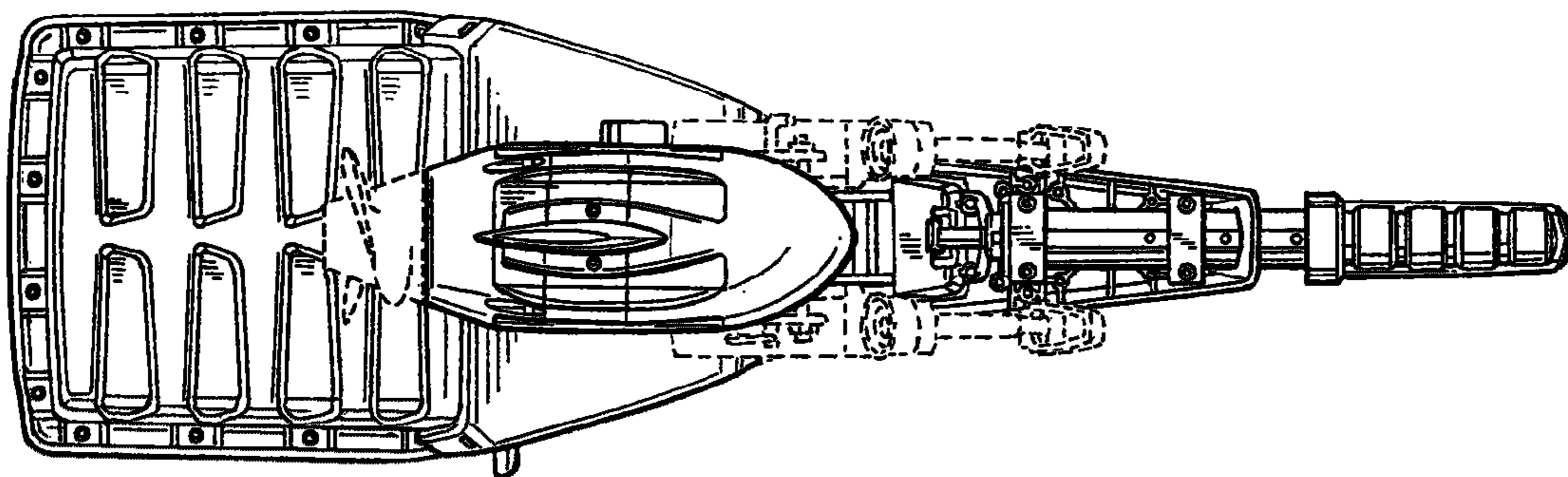


FIG. 10