



US00D655306S

(12) **United States Design Patent**  
**McKenzie**

(10) **Patent No.:** **US D655,306 S**  
(45) **Date of Patent:** **\*\* Mar. 6, 2012**

(54) **DIGITAL AUDIO PLAYER**

(75) Inventor: **Carly McKenzie**, London (GB)

(73) Assignee: **Speedo International Limited**, London (GB)

(\*\*) Term: **14 Years**

(21) Appl. No.: **29/372,297**

(22) Filed: **Nov. 5, 2010**

(30) **Foreign Application Priority Data**

May 5, 2010 (EP) ..... 001704297-0001

(51) **LOC (9) Cl.** ..... **14-03**

(52) **U.S. Cl.** ..... **D14/496; D14/203.3; D14/203.7; D21/333**

(58) **Field of Classification Search** ..... D14/399-401, D14/413-416, 432, 217, 454-457, 496, 203.3, D14/203.7; D21/324, 333, 329, 332; 273/148 B; 463/1, 29-47; 345/156-161, 905  
See application file for complete search history.

(56) **References Cited**

**U.S. PATENT DOCUMENTS**

6,314,483	B1 *	11/2001	Goto et al.	710/107
6,424,796	B2 *	7/2002	Flannery	386/344
6,522,613	B1 *	2/2003	Frankeny et al.	720/655
D514,122	S *	1/2006	Rodarte	D14/203.6
7,018,294	B2 *	3/2006	Silverbrook et al.	463/30
D521,022	S *	5/2006	Chen	D14/203.6
7,104,884	B2 *	9/2006	Yokoi	463/7

D538,787	S *	3/2007	Tsai	D14/209.1
7,255,646	B2 *	8/2007	Silverbrook et al.	463/30
D584,739	S *	1/2009	Ahlgren	D14/496
D605,204	S *	12/2009	Liu	D14/496
D612,865	S *	3/2010	Zhang	D14/496
D626,147	S *	10/2010	Goddard	D14/496

\* cited by examiner

*Primary Examiner* — Prabhakar Deshmukh

(74) *Attorney, Agent, or Firm* — Fross Zelnick Lehrman & Zissu, P.C.; Charles T. J. Weigell, Esq.

(57) **CLAIM**

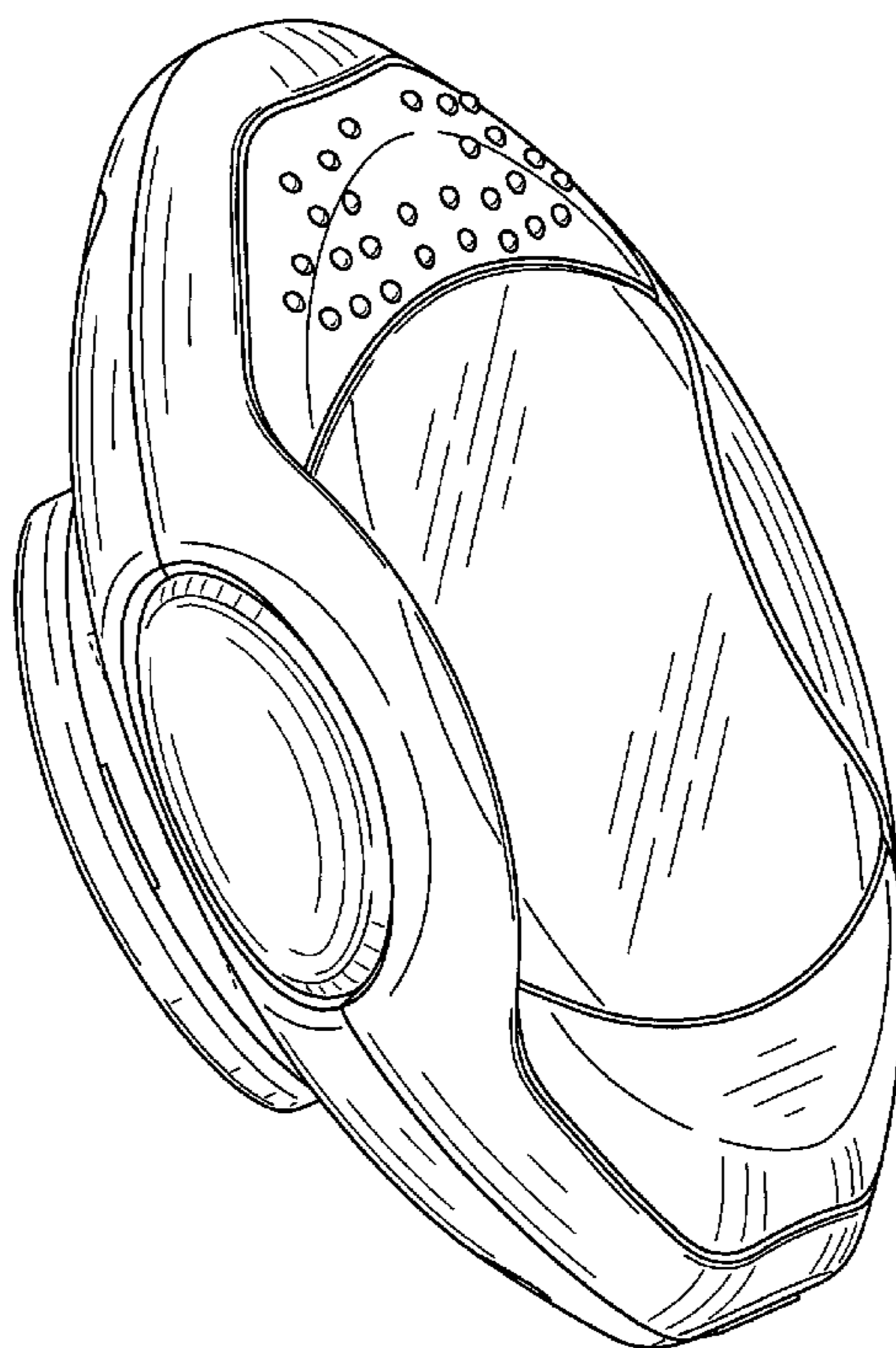
The ornamental design for a digital audio player, as shown and described.

**DESCRIPTION**

FIG. 1 is a front perspective view of a digital audio player showing my new design;  
FIG. 2 is a front view of the digital audio player shown in FIG. 1;  
FIG. 3 is a rear view of the digital audio player shown in FIG. 1;  
FIG. 4 is a left side view of the digital audio player shown in FIG. 1;  
FIG. 5 is a right side view of the digital audio player shown in FIG. 1;  
FIG. 6 is a top view of the digital audio player shown in FIG. 1; and,  
FIG. 7 is a bottom view of the digital audio player shown in FIG. 1.

The broken lines are for illustrative purpose only and form no part of the claimed design.

**1 Claim, 7 Drawing Sheets**



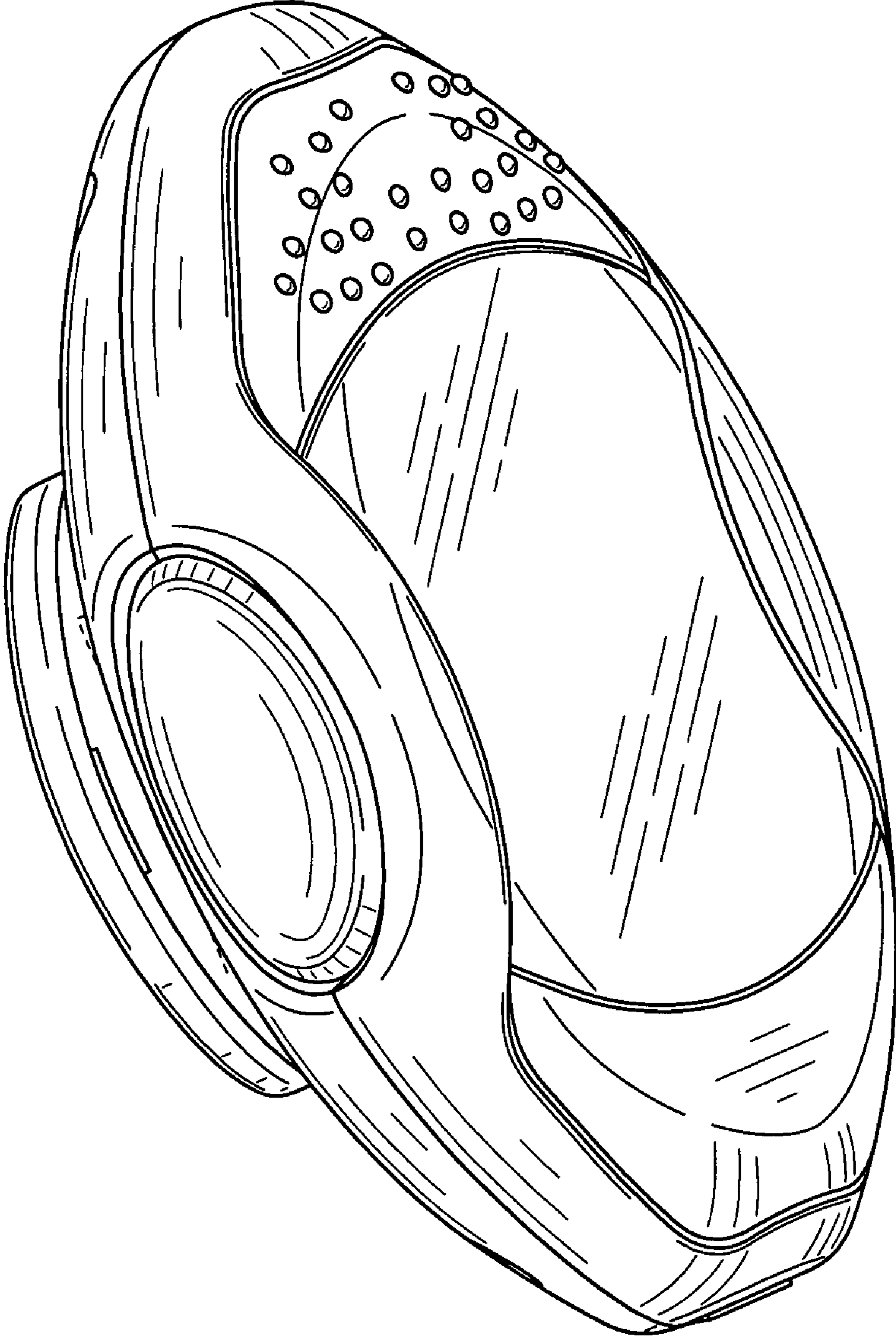


FIG. 1

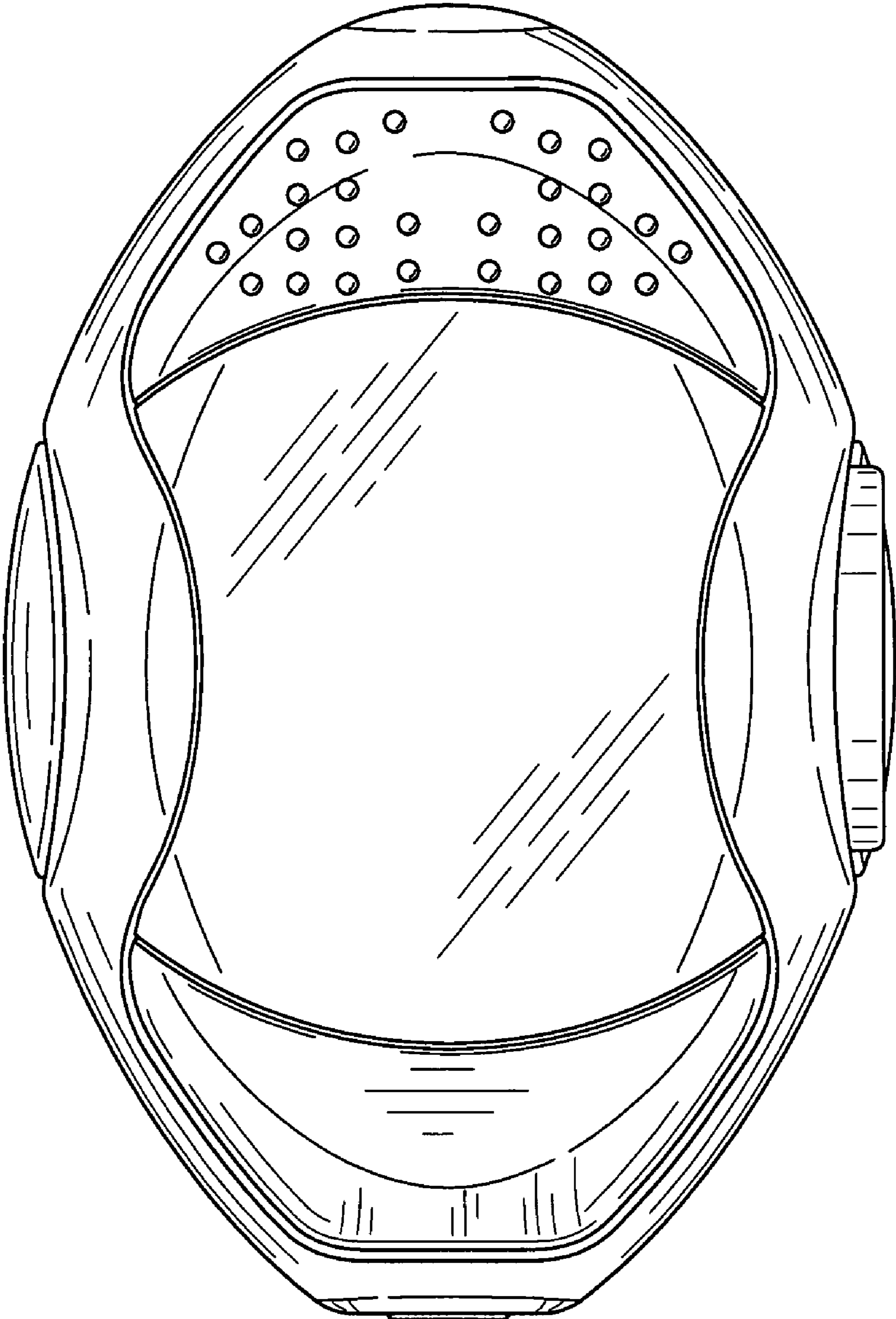


FIG. 2

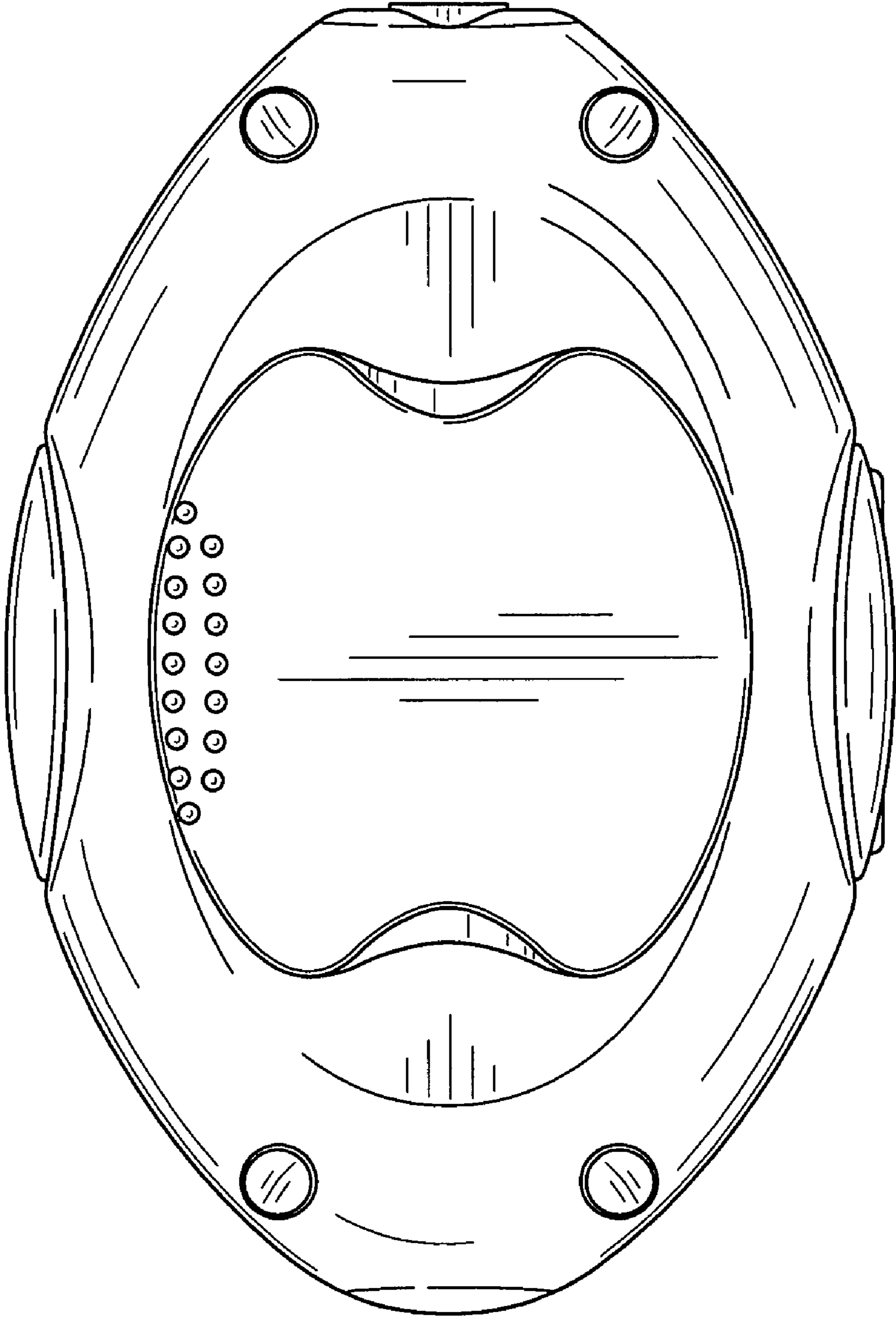


FIG. 3

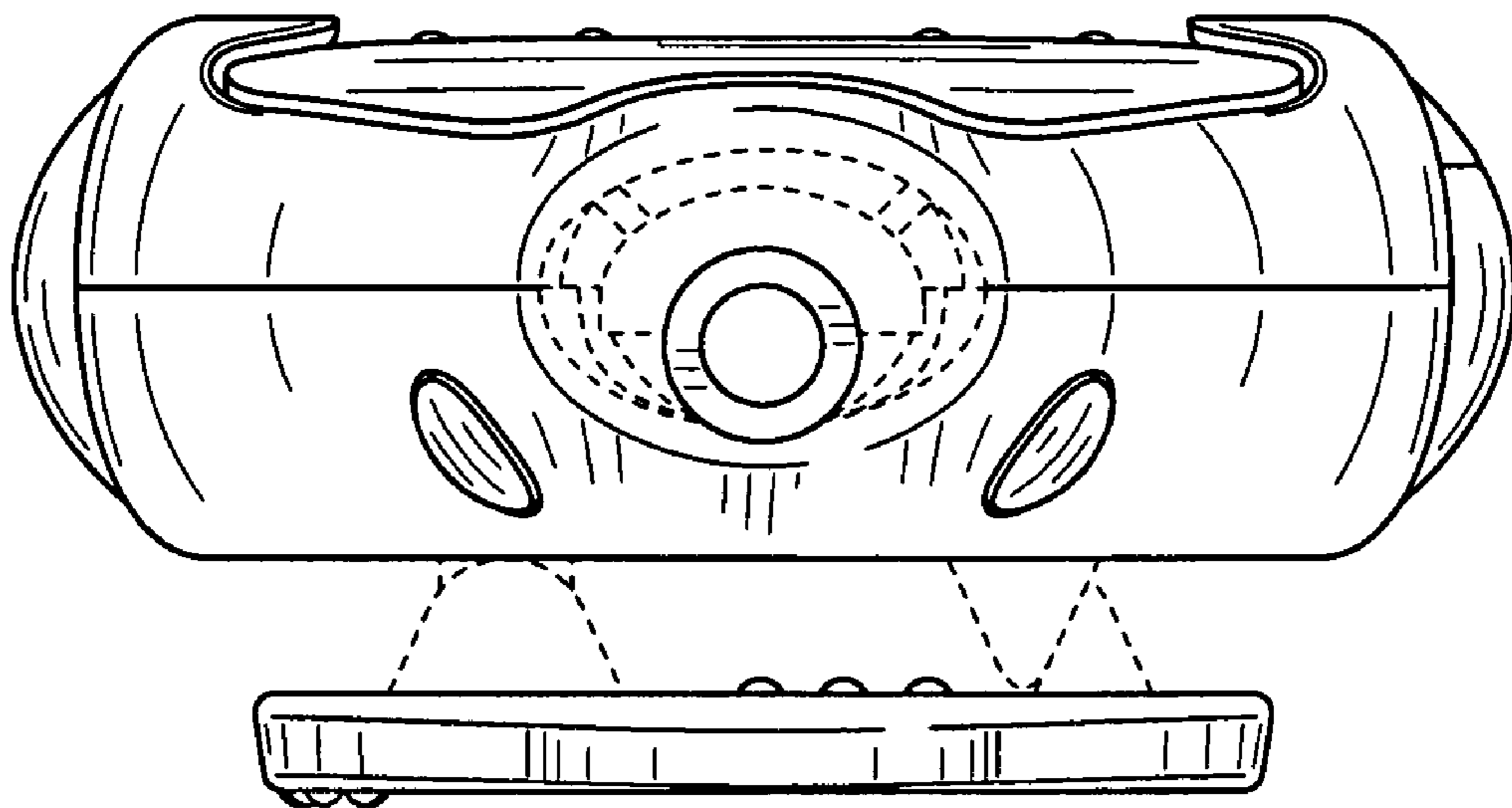


FIG. 4

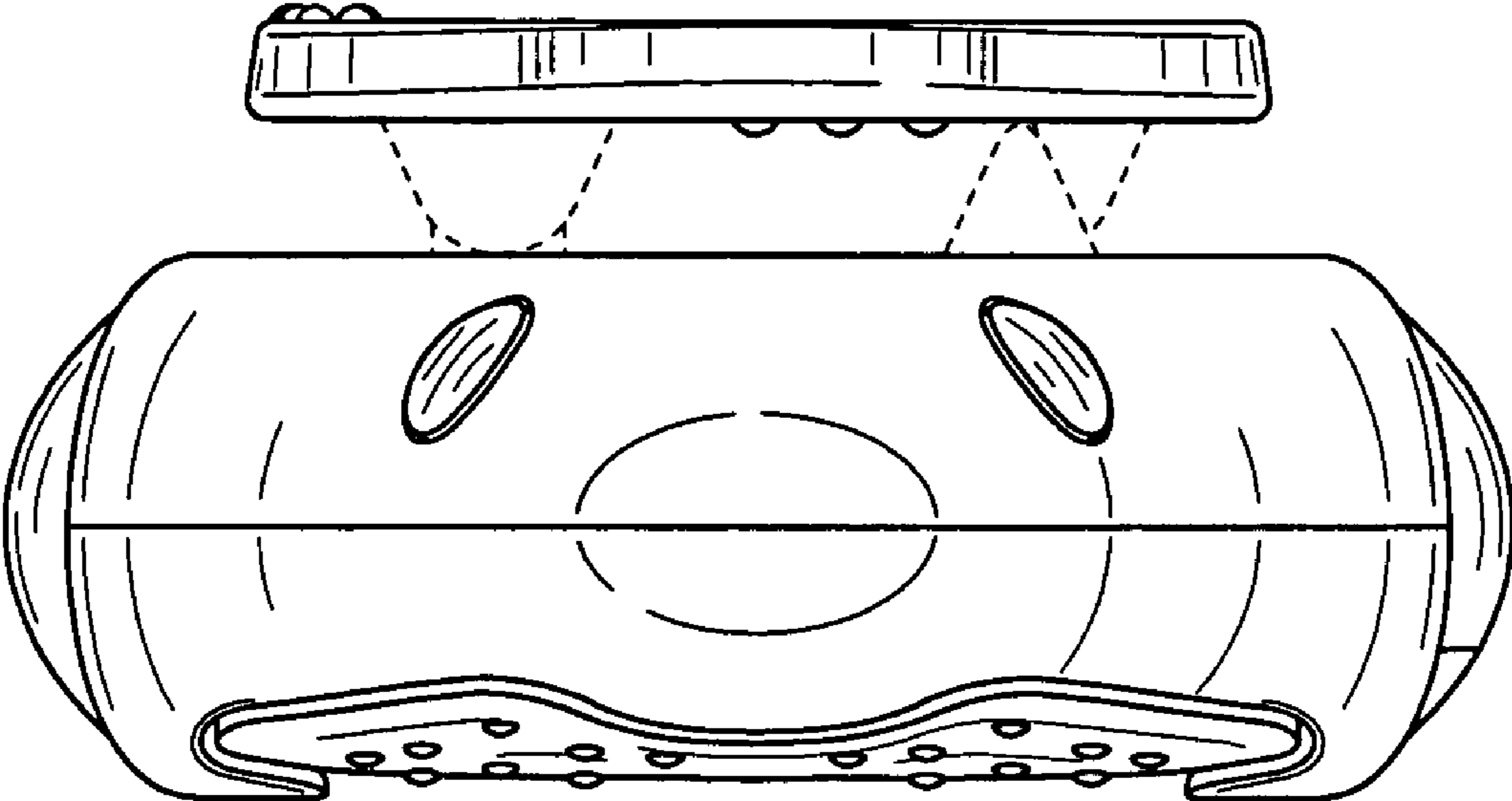


FIG. 5

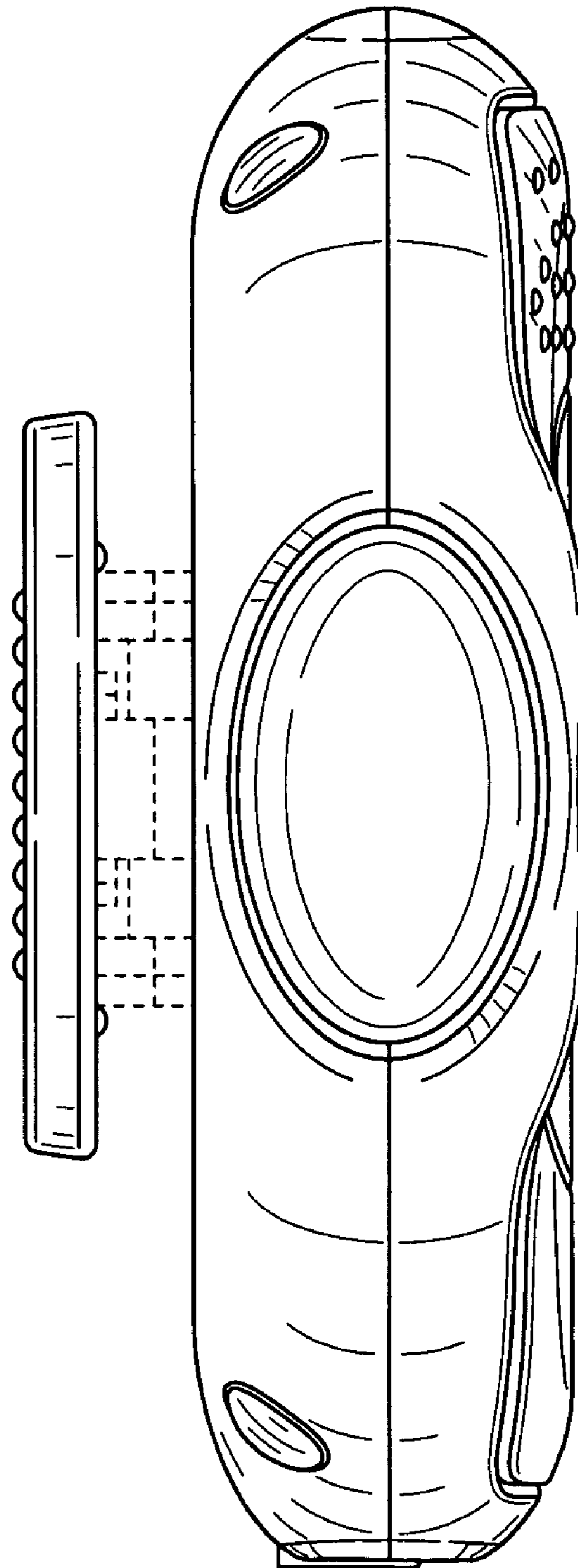


FIG. 6

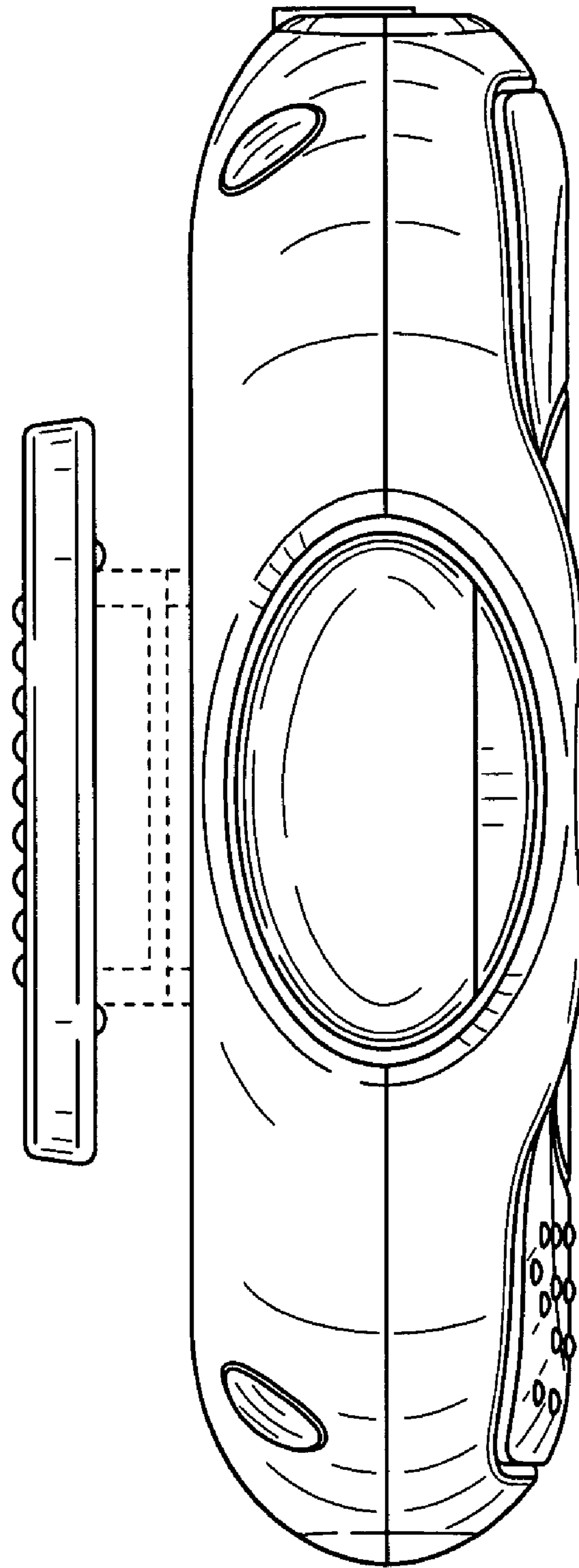


FIG. 7