



US00D655298S

(12) **United States Design Patent**
Xu et al.

(10) **Patent No.:** **US D655,298 S**
(45) **Date of Patent:** **** Mar. 6, 2012**

(54) **MOBILE COMPUTER DOCKING CRADLE**

(75) Inventors: **Bo Xu**, Mississauga (CA); **Gregory Smyth**, Toronto (CA)

(73) Assignee: **Psion Teklogix Inc.**, Mississauga, Ontario (CA)

(**) Term: **14 Years**

(21) Appl. No.: **29/377,571**

(22) Filed: **Oct. 22, 2010**

(30) **Foreign Application Priority Data**

Apr. 23, 2010 (CA) 135141

(51) **LOC (9) Cl.** **14-02**

(52) **U.S. Cl.** **D14/453**

(58) **Field of Classification Search** D14/434,
D14/447, 453, 432, 433, 385, 357, 149, 457,
D14/253, 251, 356, 242, 439, 344; D13/108,
D13/118, 199, 107, 177; D3/218, 228, 269;
D18/12; D8/349, 382; 361/683, 686, 679,
361/600; 455/557, 556.1, 556.2, 575.4, 569.2,
455/569.1; 248/346.03, 176.1, 181.1, 309.1,
248/221.11; 200/6 R; 206/701; 320/113-115,
320/107; 379/426; 345/156, 901, 905; 439/374,
439/131, 529, 534, 929, 346, 31, 640; 235/472.01;
429/100

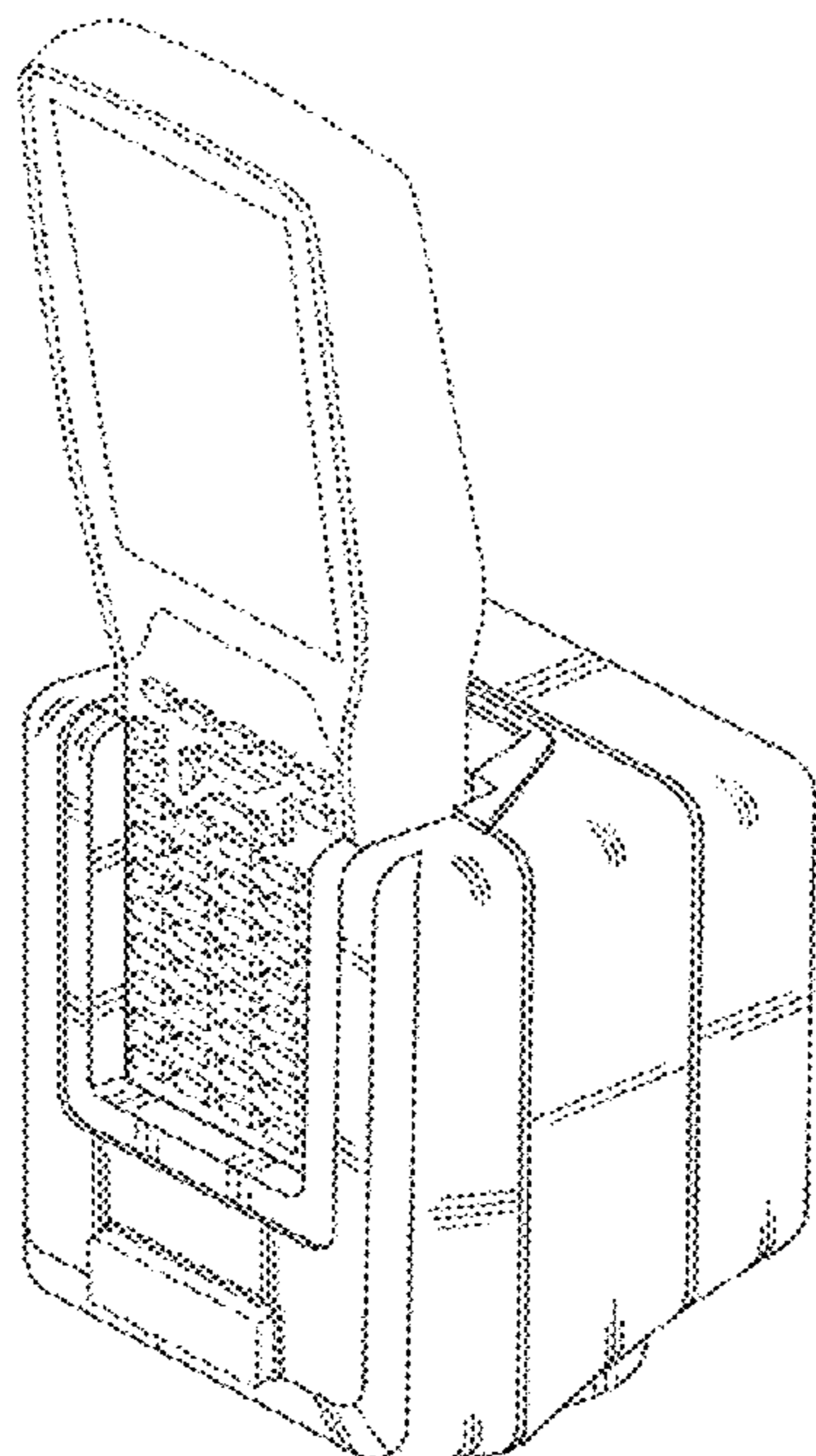
See application file for complete search history.

(56) **References Cited**

U.S. PATENT DOCUMENTS

D317,006 S * 5/1991 Naderi et al. D14/453

(Continued)



OTHER PUBLICATIONS

U.S. Appl. No. 29/377,468, filed Oct. 21, 2010, Cullen, et al.

(Continued)

Primary Examiner — Susan Moon Lee

(74) *Attorney, Agent, or Firm* — Haynes and Boone, LLP

(57) **CLAIM**

The ornamental design for a mobile computer docking cradle, as shown and described.

DESCRIPTION

FIG. 1 is a front perspective view of a mobile computer docking cradle according to our new design, shown in use with a mobile computer docked therein;

FIG. 2 is a front perspective view of the mobile computer docking cradle of FIG. 1;

FIG. 3 is a rear perspective view of the mobile computer docking cradle of FIG. 1;

FIG. 4 is a front elevation view of the mobile computer docking cradle of FIG. 1;

FIG. 5 is a rear elevation view of the mobile computer docking cradle of FIG. 1;

FIG. 6 is a top plan view of the mobile computer docking cradle of FIG. 1;

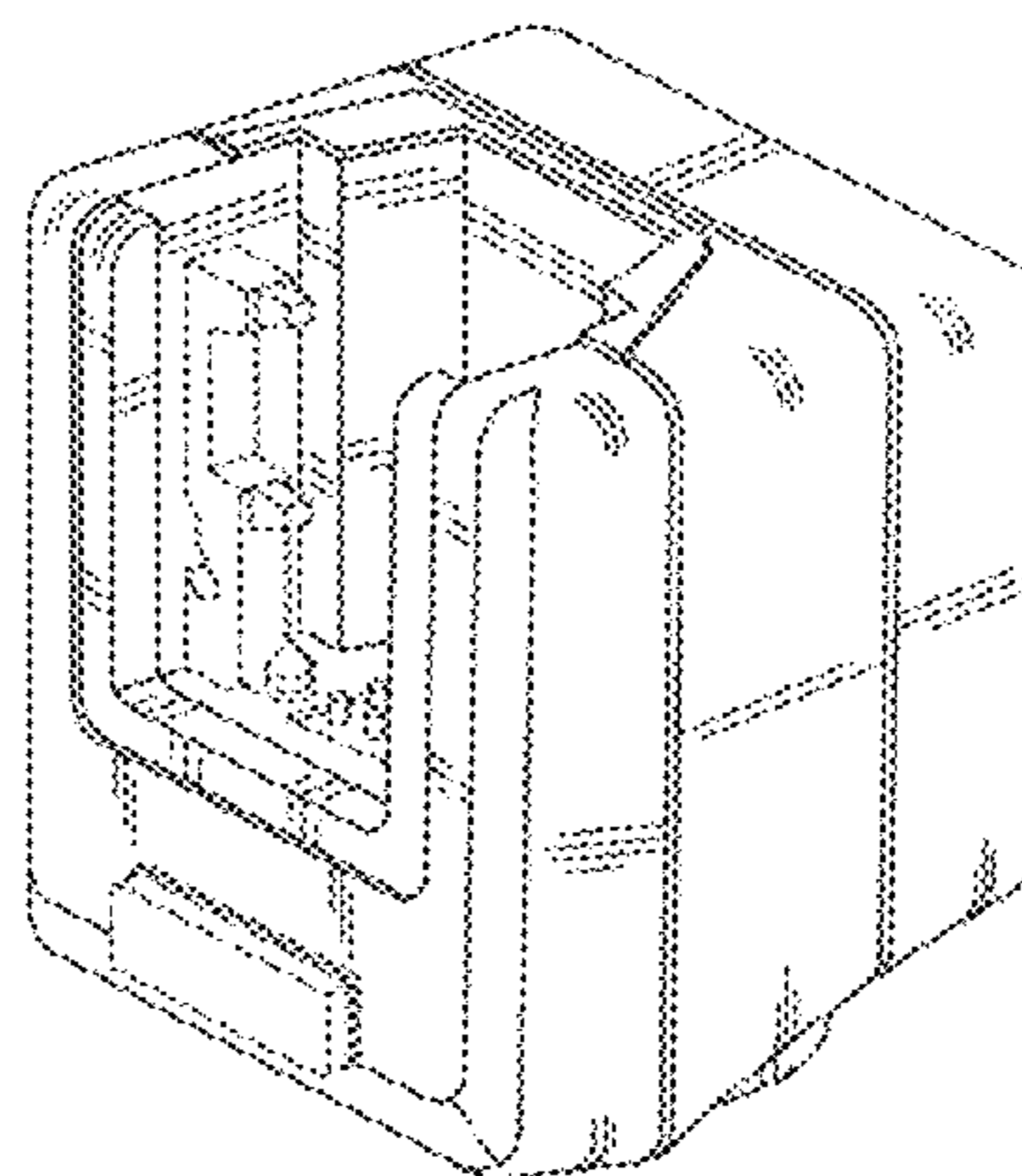
FIG. 7 is a bottom plan view of the mobile computer docking cradle of FIG. 1;

FIG. 8 is a right side elevation view of the mobile computer docking cradle of FIG. 1; and,

FIG. 9 is a left side elevation view of the mobile computer docking cradle of FIG. 1.

The broken line elements throughout the drawings are not claimed.

1 Claim, 9 Drawing Sheets



US D655,298 S

Page 2

U.S. PATENT DOCUMENTS

D419,160 S * 1/2000 Davidson et al. D14/253
D436,917 S 1/2001 Hayakawa et al.
D457,162 S * 5/2002 Hawkins et al. D14/434
D472,900 S * 4/2003 Matsumoto D14/447
D490,370 S 5/2004 Picardo
D500,041 S * 12/2004 Tsujimoto D14/434
D508,892 S 8/2005 Schlieffers et al.
D514,576 S * 2/2006 Sung et al. D14/434
D520,013 S * 5/2006 Yang D14/434
D524,315 S * 7/2006 Reusing et al. D14/434
D540,327 S * 4/2007 Wong et al. D14/434
D544,486 S * 6/2007 Hussaini et al. D14/434
D544,487 S * 6/2007 Hussaini et al. D14/434
D550,152 S 9/2007 Okuda et al.
D554,642 S * 11/2007 Suwalski et al. D14/434
D558,769 S * 1/2008 Krieger et al. D14/434
D580,352 S 11/2008 Croley
D584,732 S * 1/2009 Cho et al. D14/434

D587,647 S 3/2009 Croley et al.
D587,695 S * 3/2009 Leng et al. D14/240
D598,373 S 8/2009 Aglassinger
D605,112 S * 12/2009 Chang D13/107
D606,935 S 12/2009 Murayama et al.
D607,856 S * 1/2010 Ishii D14/137
D621,405 S * 8/2010 Waite et al. D14/434
D623,131 S * 9/2010 Kawakami et al. D13/107
D629,354 S * 12/2010 Chang D13/107
D634,269 S * 3/2011 Griffin, Jr. D13/108

OTHER PUBLICATIONS

U.S. Appl. No. 29/377,583, filed Oct. 22, 2010, Cullen, et al.
U.S. Appl. No. 29/377,590, filed Oct. 22, 2010, Cullen, et al.
U.S. Appl. No. 29/377,599, filed Oct. 22, 2010, Cullen, et al.
U.S. Appl. No. 29/379,593, filed Nov. 22, 2010, Cullen, et al.
U.S. Appl. No. 29/379,600, filed Nov. 22, 2010, Cullen, et al.

* cited by examiner

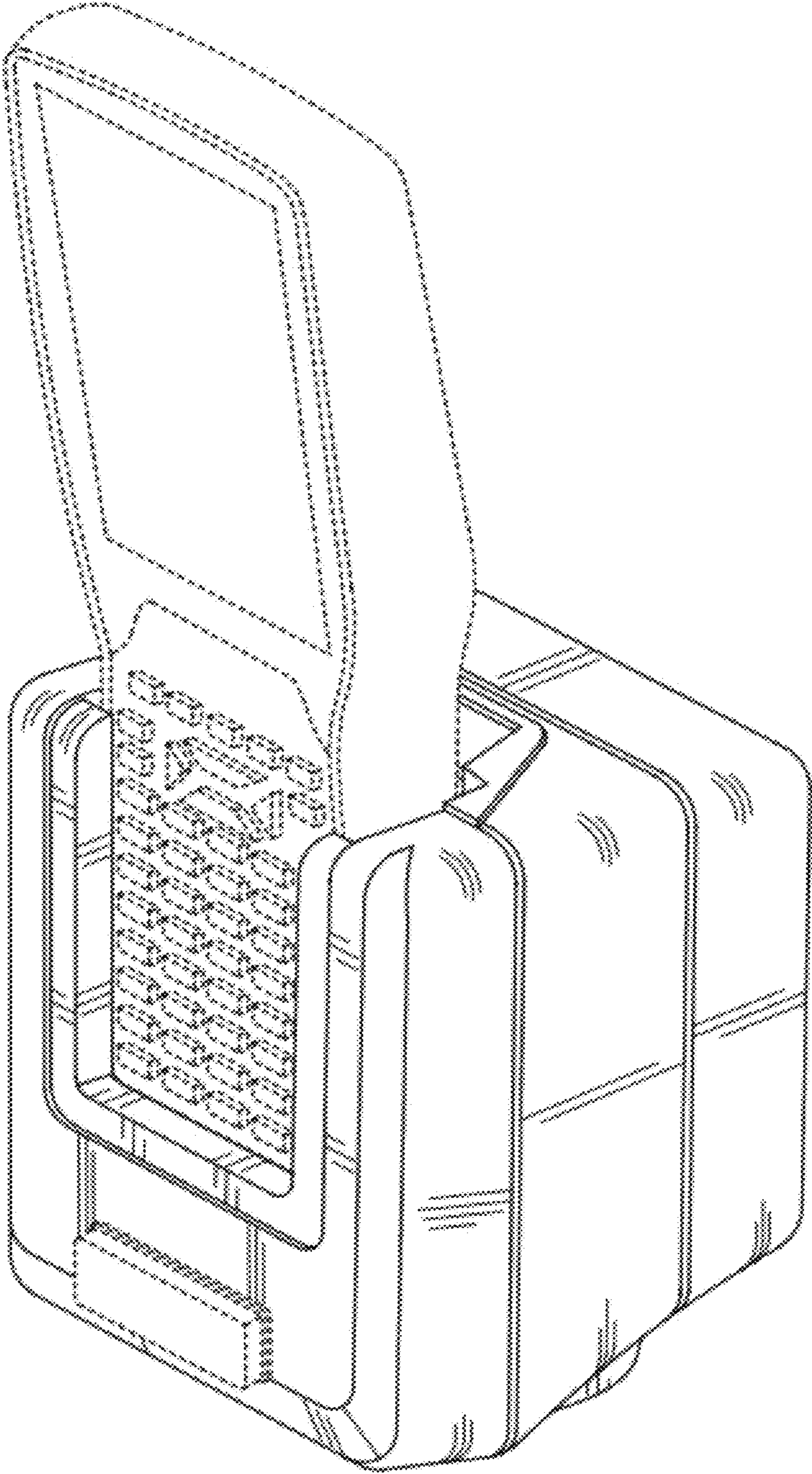


FIG. 1

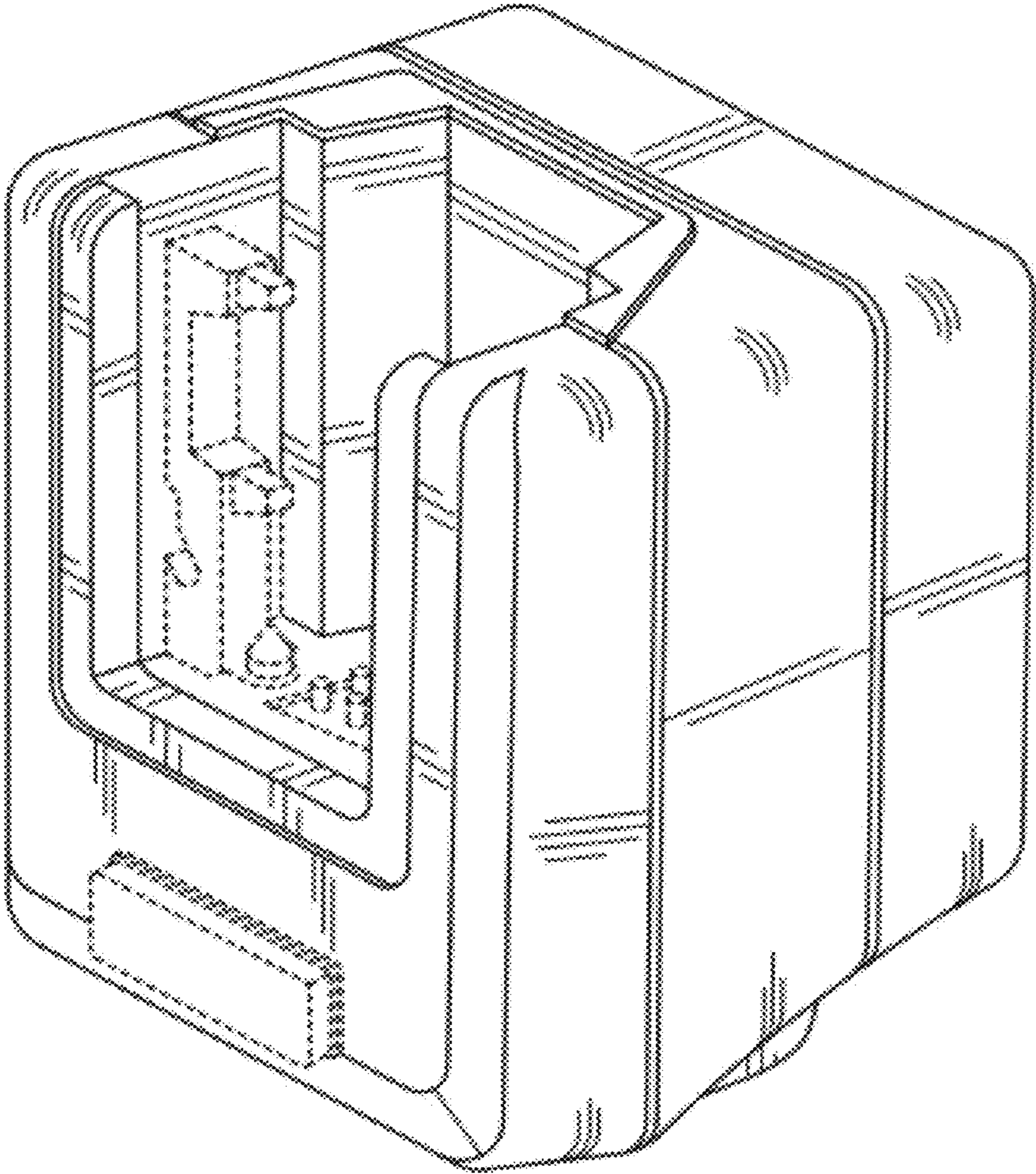


FIG. 2

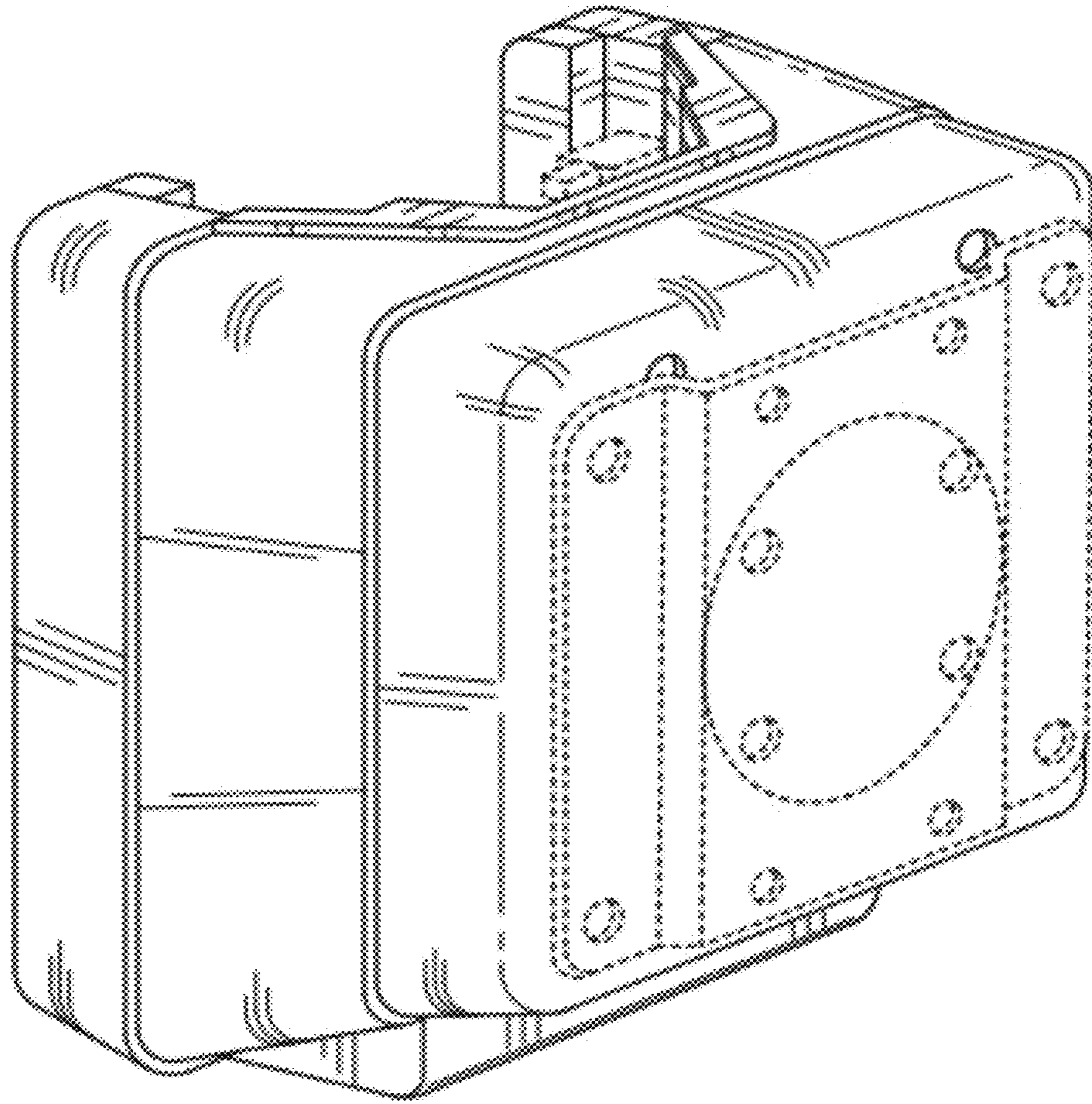


FIG. 3

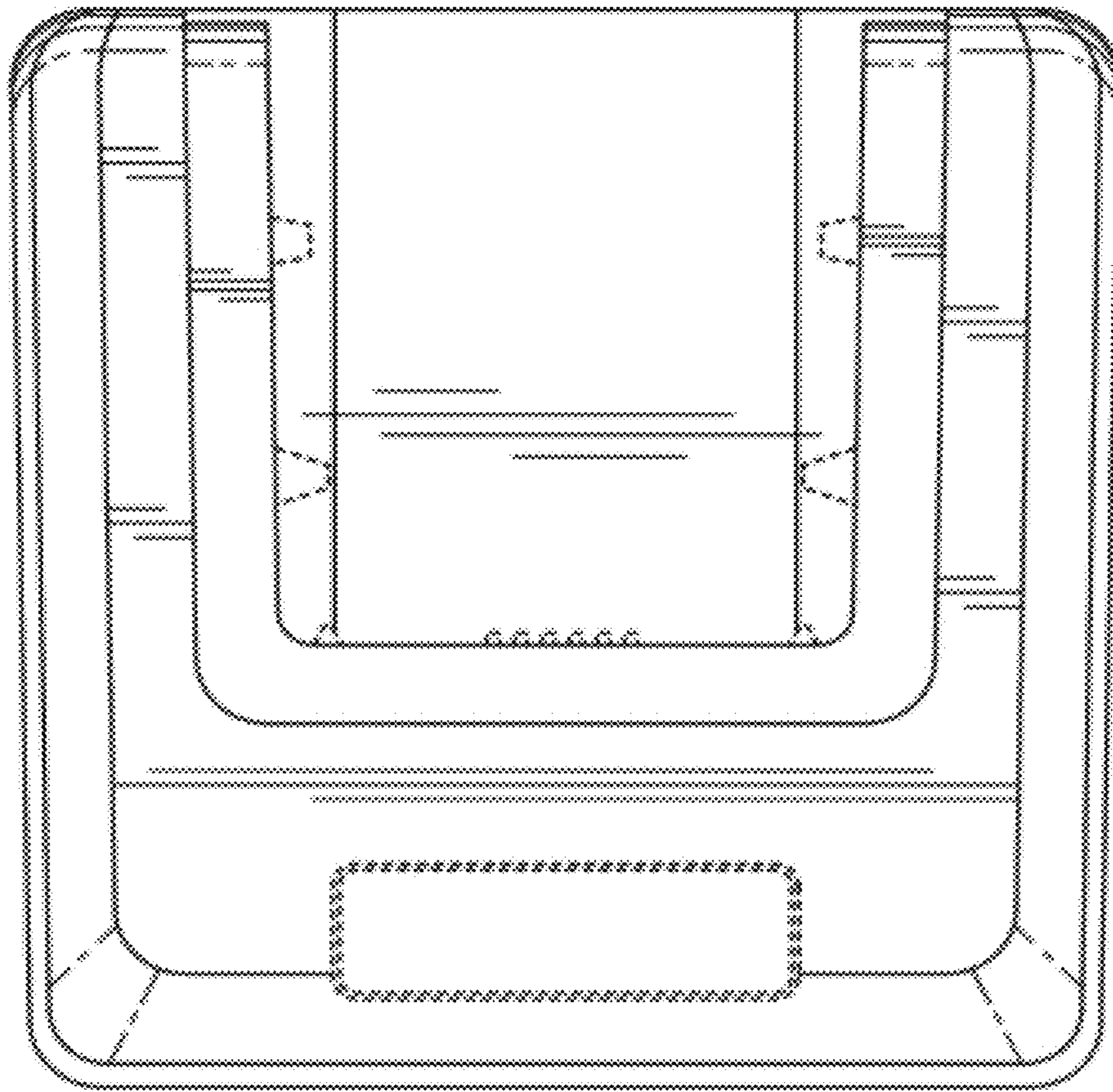


FIG. 4

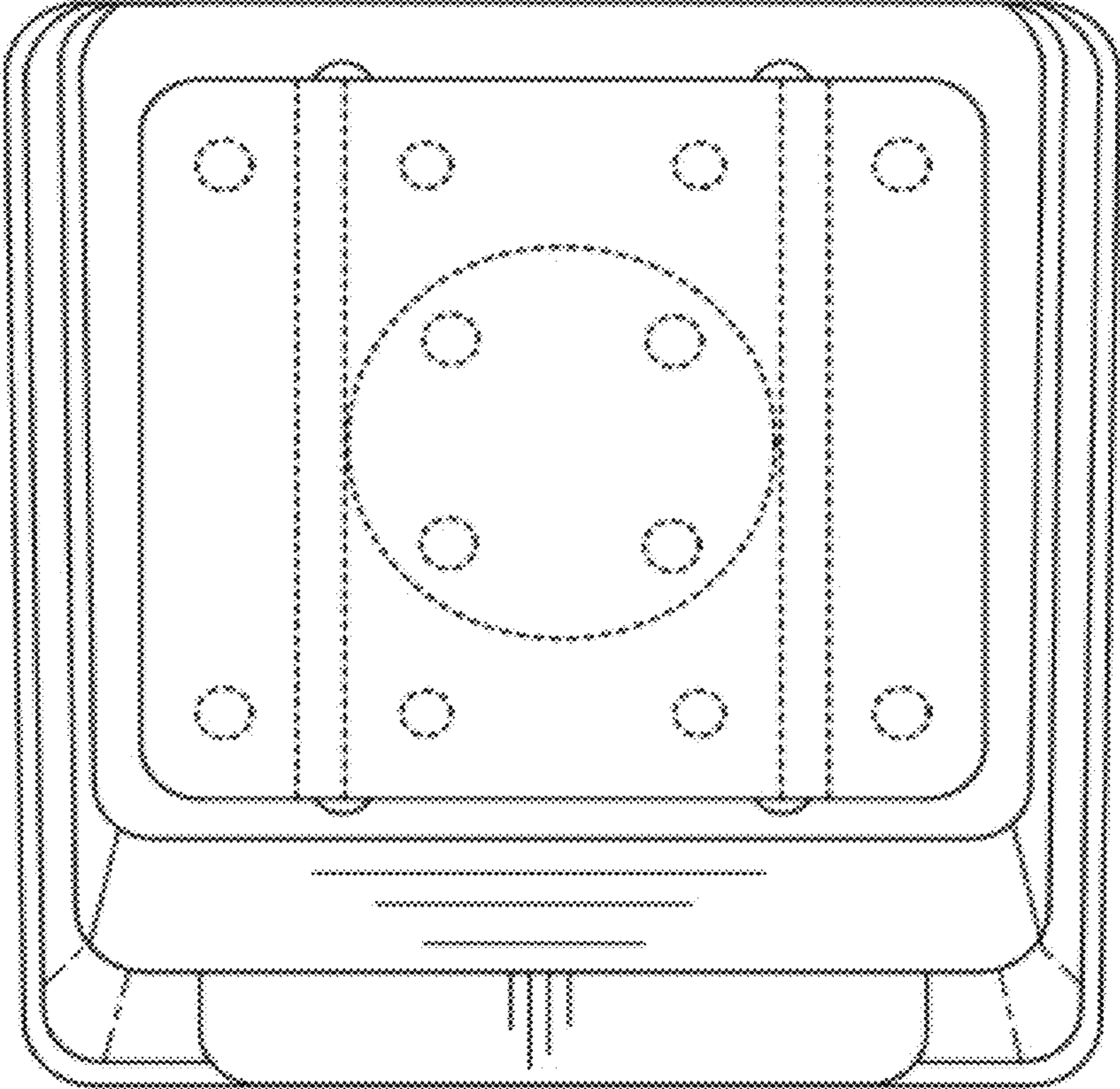


FIG. 5

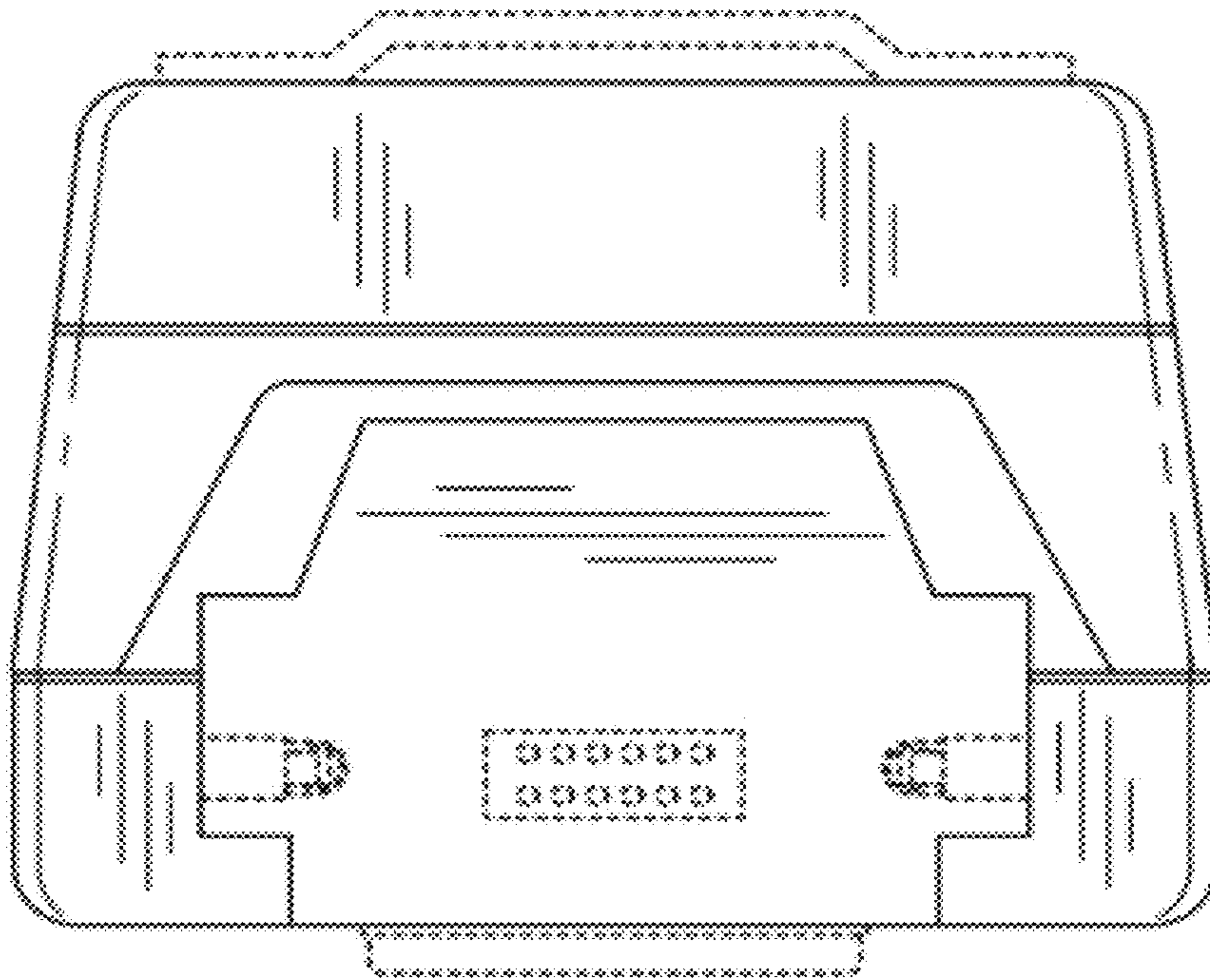


FIG. 6

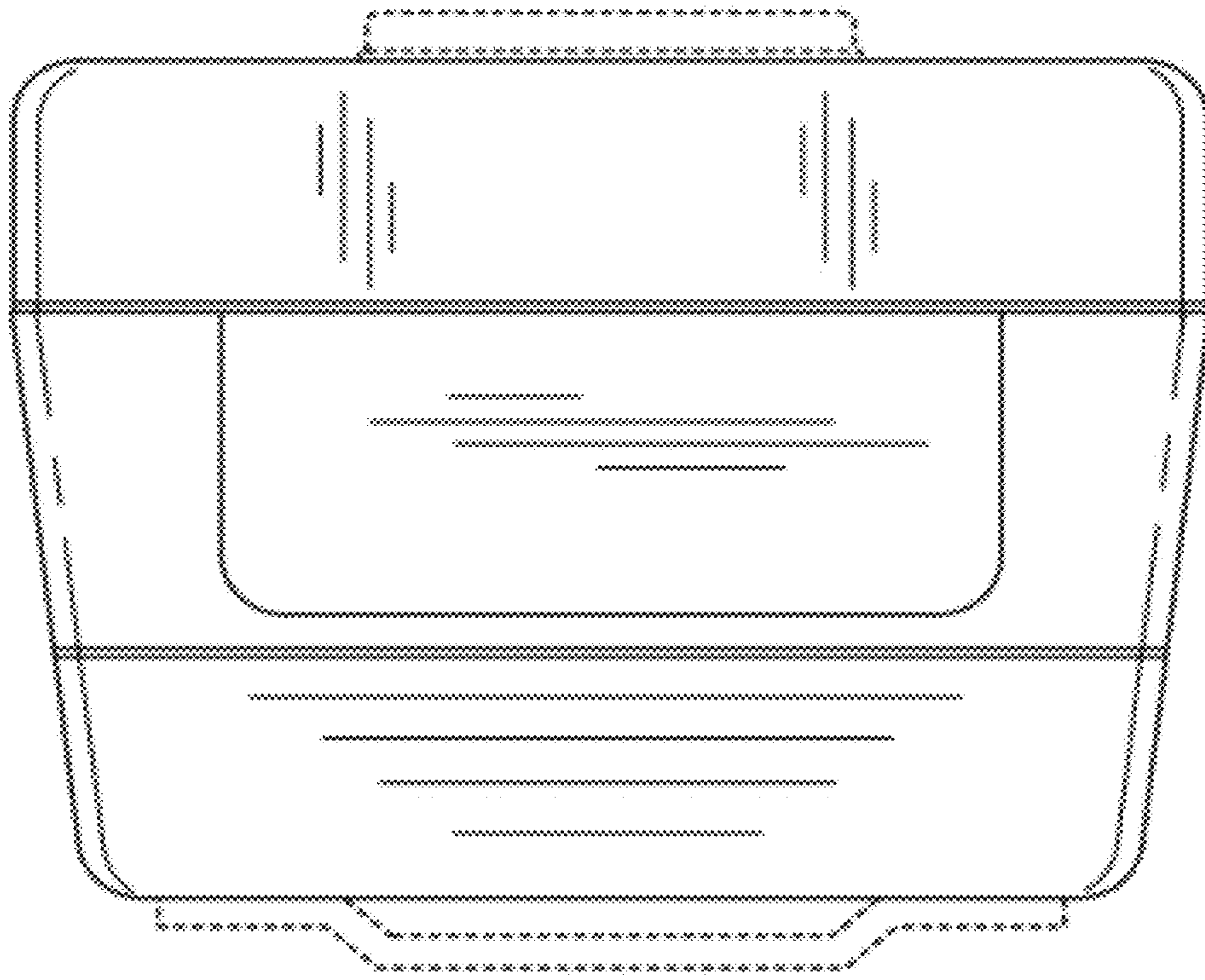


FIG. 7

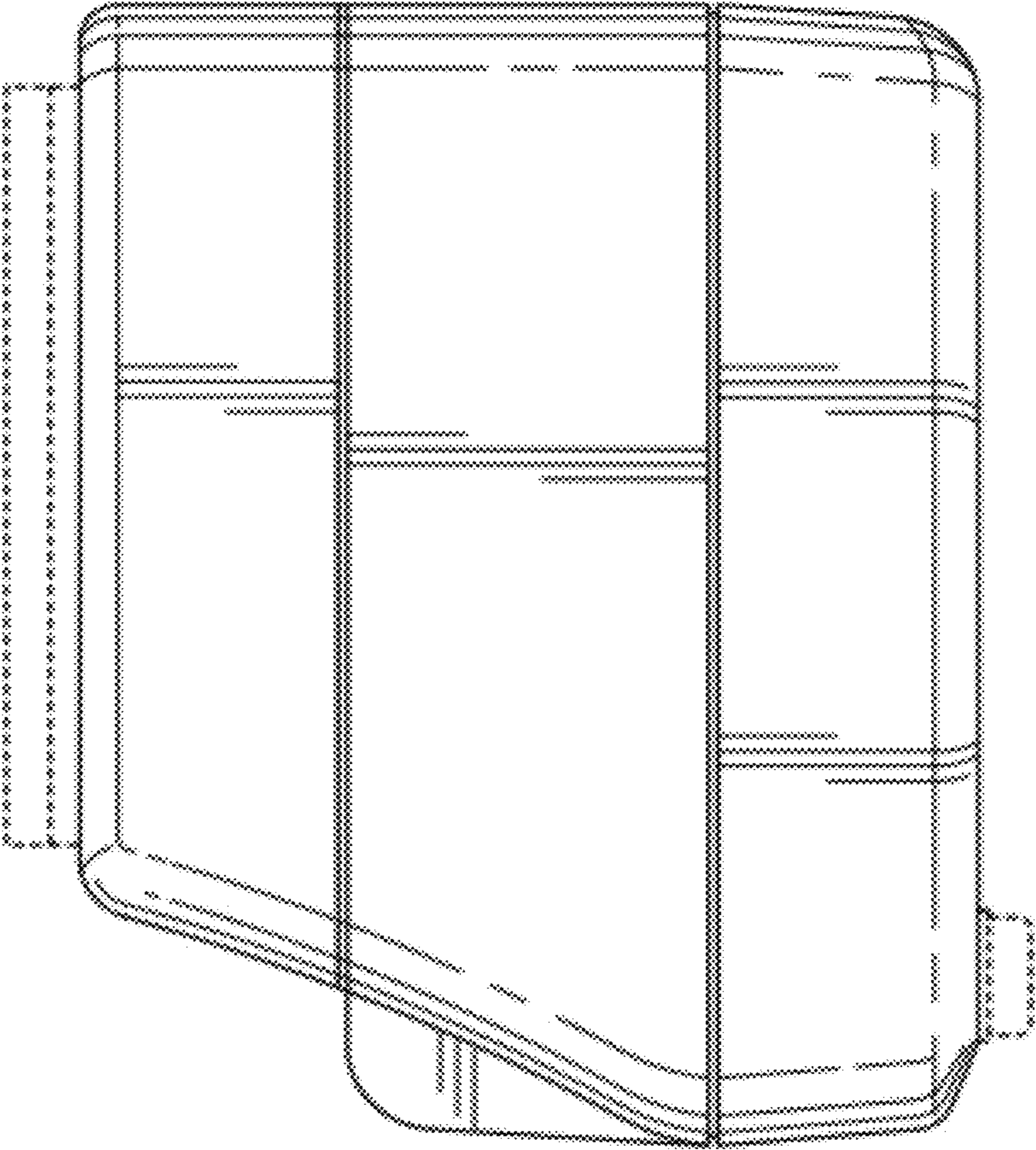


FIG. 8

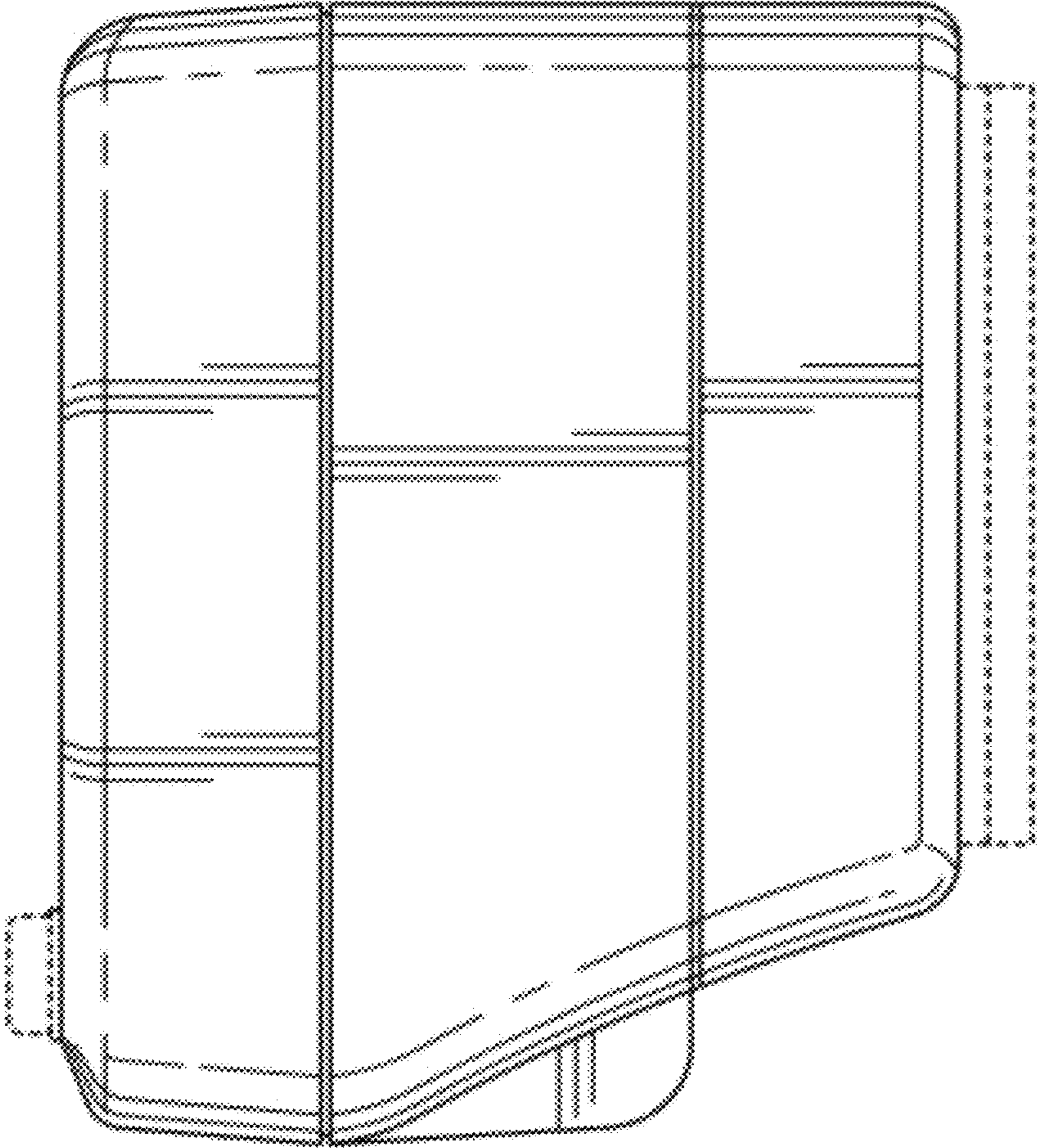


FIG. 9