



US00D655297S

(12) **United States Design Patent**
Magnusson

(10) **Patent No.:** **US D655,297 S**

(45) **Date of Patent:** **** Mar. 6, 2012**

(54) **SUPPORT ARM**

(75) **Inventor:** **Carl Gustav Magnusson**, New York,
NY (US)

(73) **Assignee:** **Teknion Limited (CA)**

(**) **Term:** **14 Years**

(21) **Appl. No.:** **29/393,950**

(22) **Filed:** **Jun. 10, 2011**

(51) **LOC (9) Cl.** **14-02**

(52) **U.S. Cl.** **D14/452**

(58) **Field of Classification Search** D14/452,
D14/451, 448, 447, 239; D8/349, 363, 373,
D8/380; 248/917-924, 122.1, 124.1, 125.8,
248/371, 393, 157, 425, 176.1, 186.1; 361/679.02,
361/679.04, 679.05, 679.06, 679.07, 679.21,
361/679.22

See application file for complete search history.

(56) **References Cited**

U.S. PATENT DOCUMENTS

D391,148 S *	2/1998	Rosen	D8/380
D435,852 S *	1/2001	Oddsens, Jr.	D14/452
D488,163 S *	4/2004	Hunt	D14/452
D496,367 S *	9/2004	Pfister	D14/451
D555,657 S *	11/2007	Loyd	D14/452
D559,662 S *	1/2008	Sculler et al.	D8/380
D598,917 S *	8/2009	Luber	D14/375

7,677,515 B2 *	3/2010	Oddsens et al.	248/274.1
7,694,927 B2 *	4/2010	Chuang	248/276.1
D627,474 S *	11/2010	Nordgren et al.	D24/185
D631,052 S *	1/2011	Hung	D14/452
D640,673 S *	6/2011	Molter et al.	D14/239
2007/0221794 A1 *	9/2007	Li	248/124.1

* cited by examiner

Primary Examiner — Angela J Lee

(74) *Attorney, Agent, or Firm* — Banner & Witcoff, Ltd.

(57) **CLAIM**

The ornamental design for a support arm, as shown and described.

DESCRIPTION

FIG. 1 is a perspective view of a support arm showing my new design;

FIG. 2 is a top view thereof;

FIG. 3 is a right side view thereof, the left side view being a mirror image thereof;

FIG. 4 is a bottom view thereof;

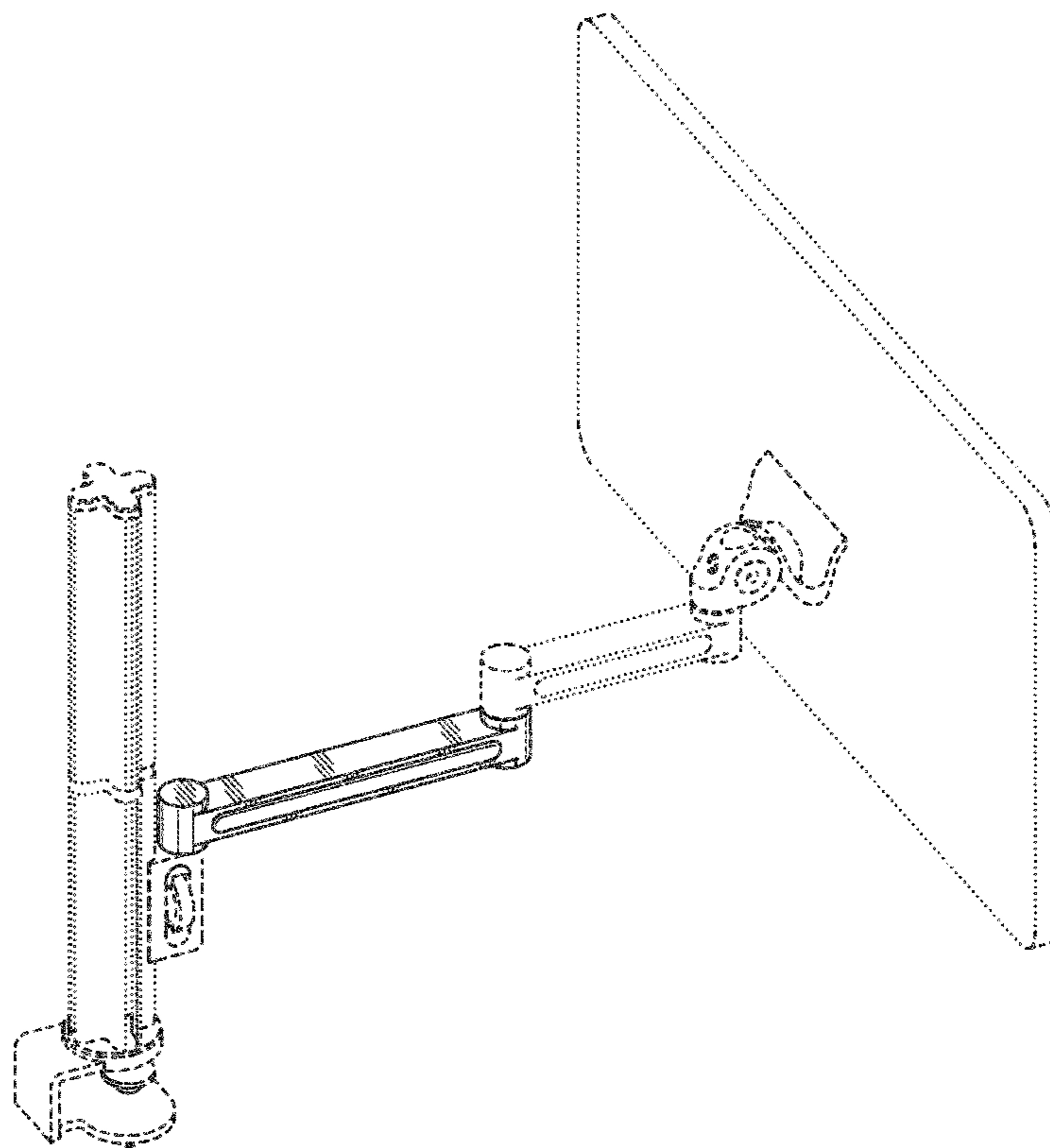
FIG. 5 is a front view thereof;

FIG. 6 is a rear view thereof; and,

FIG. 7 is a perspective view thereof with additional disclaimed environment showing an in-use position.

The broken-line showing of the circular regions on the top and bottom of the support arm in FIGS. 1, 2, and 4, and of additional supports and a monitor in FIG. 7 is for illustrative purposes only and forms no part of the claimed design.

1 Claim, 2 Drawing Sheets



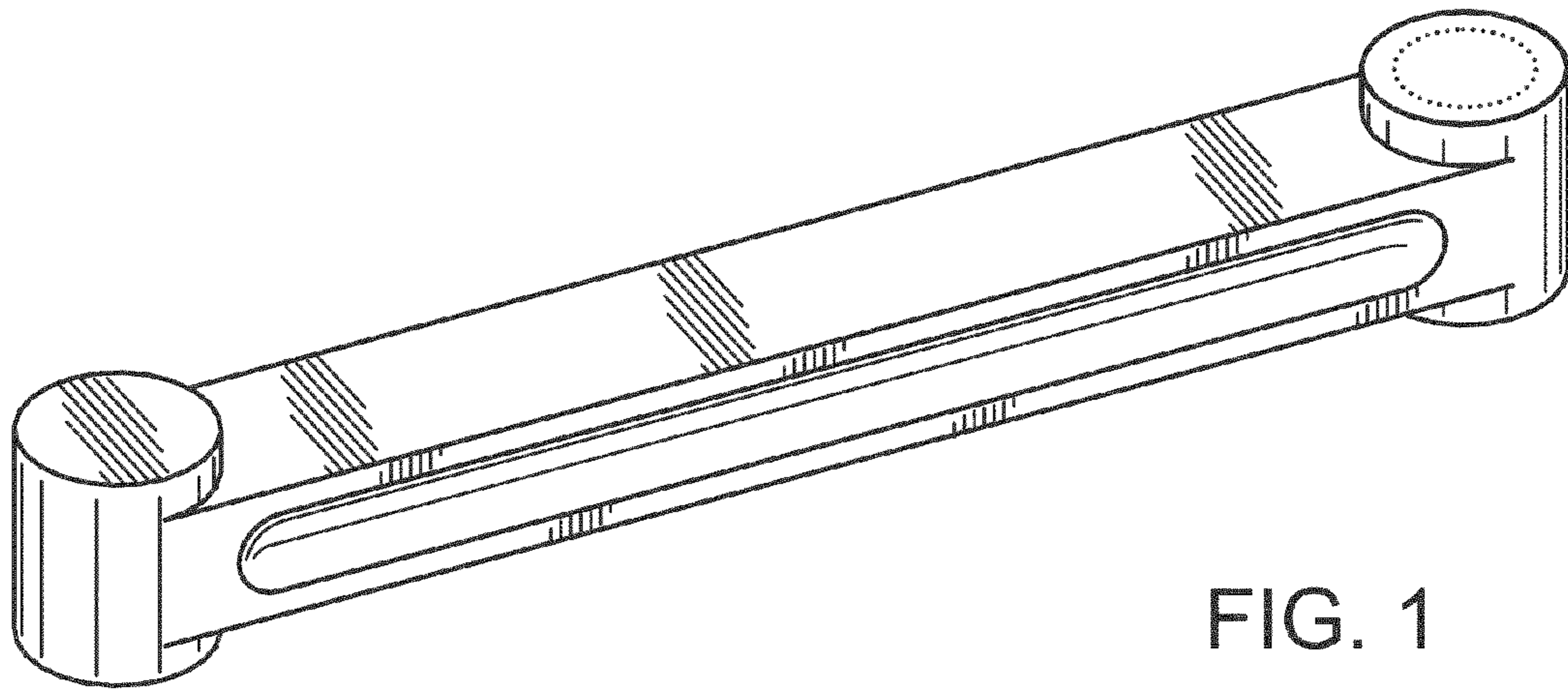


FIG. 1

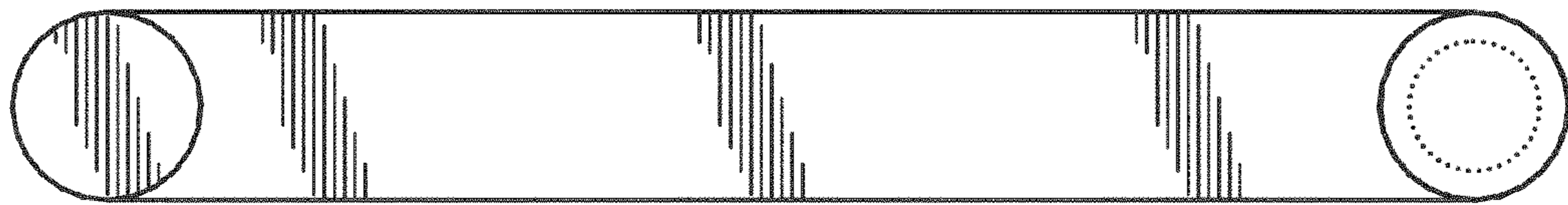


FIG. 2

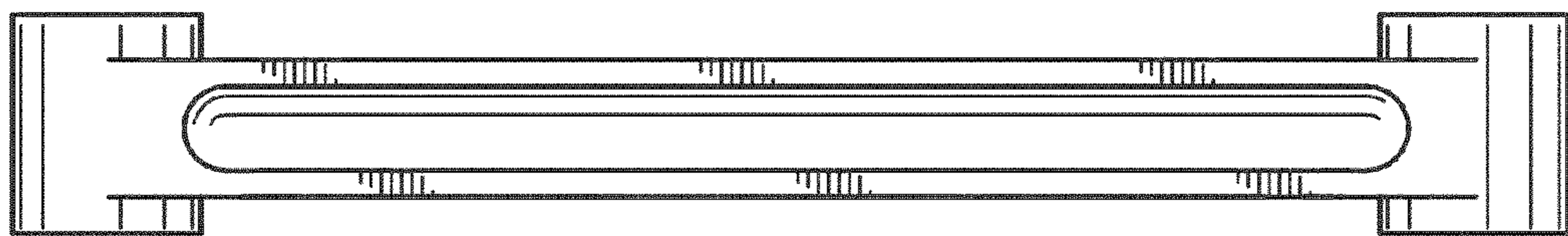


FIG. 3

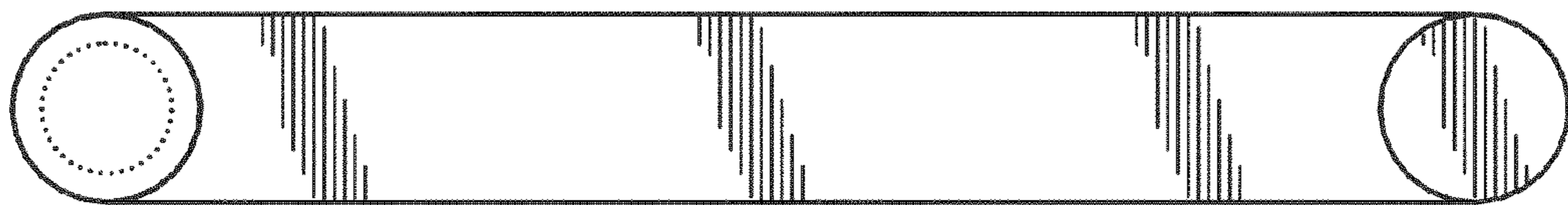


FIG. 4

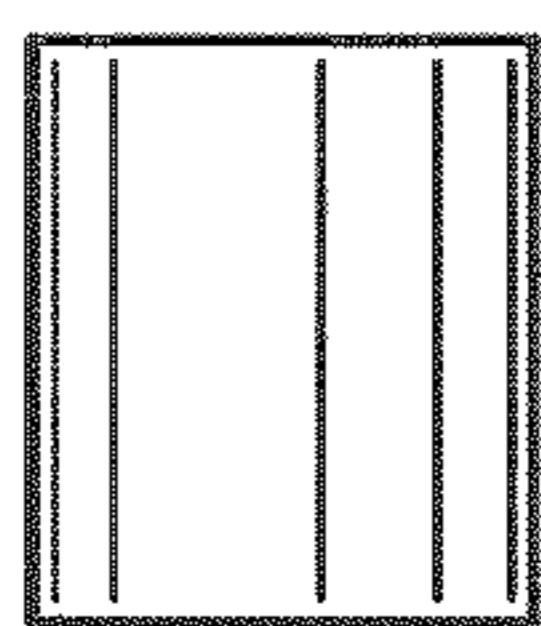


FIG. 5

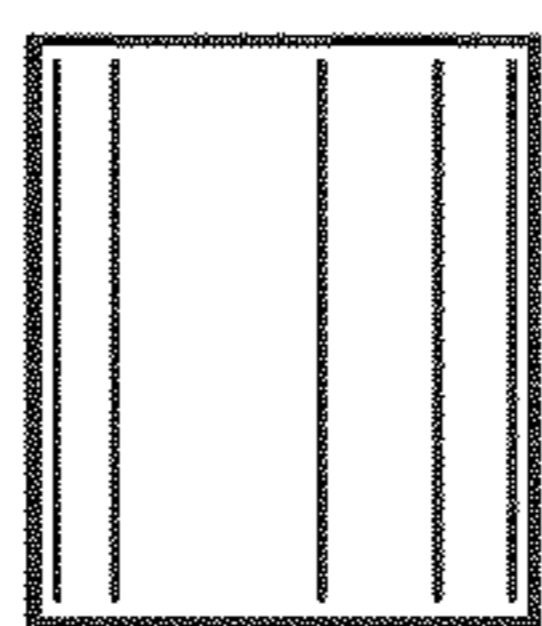


FIG. 6

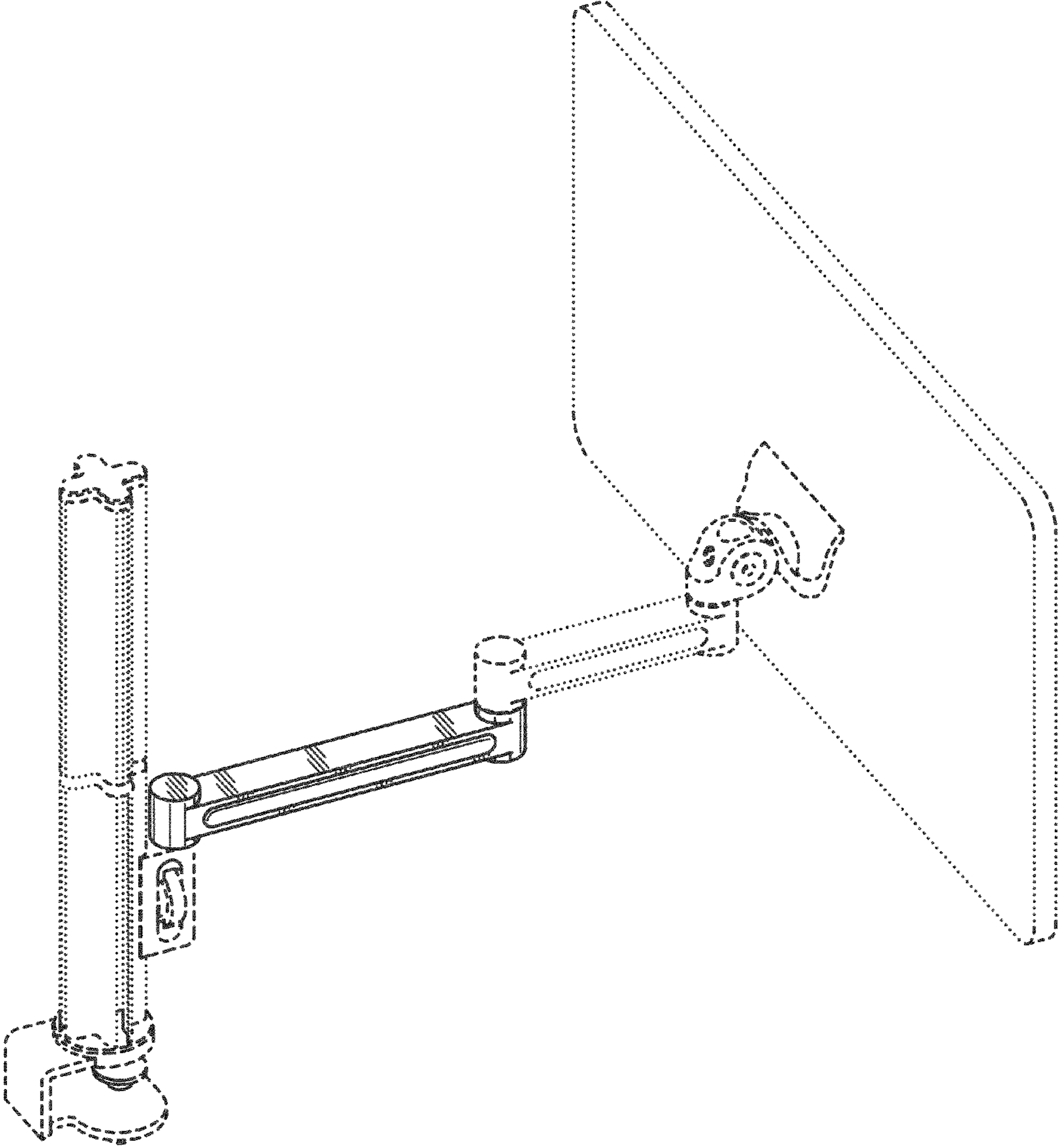


FIG. 7