



US00D655295S

(12) **United States Design Patent**  
**Lee et al.**

(10) **Patent No.:** **US D655,295 S**  
(45) **Date of Patent:** **\*\* Mar. 6, 2012**

(54) **CONNECTOR**

(75) Inventors: **Noel Lee**, Las Vegas, NV (US); **Jacky Hsiung**, San Jose, CA (US)

(73) Assignee: **Monster Cable Products, Inc.**,  
Brisbane, CA (US)

(\*\*) Term: **14 Years**

(21) Appl. No.: **29/389,510**

(22) Filed: **Apr. 12, 2011**

**Related U.S. Application Data**

(62) Division of application No. 29/351,325, filed on Dec. 3, 2009, now Pat. No. Des. 638,430.

(51) **LOC (9) Cl.** ..... **14-02**

(52) **U.S. Cl.** ..... **D14/435.1; D13/133**

(58) **Field of Classification Search** ..... D14/411,  
D14/433, 435.1, 436, 480.1–480.7, 484.1,  
D14/137, 155, 167, 168, 203.1–203.8, 240,  
D14/242, 299; D3/201, 273; D13/107, 108,  
D13/133, 135, 149, 184; 710/300, 301; 439/131,  
439/135–147  
See application file for complete search history.

(56) **References Cited**

**U.S. PATENT DOCUMENTS**

D291,559 S *	8/1987	Narveson et al.	.....	D13/199
5,529,513 A	6/1996	Lee		
5,564,942 A	10/1996	Lee		
D404,716 S	1/1999	Lee		
D405,050 S	2/1999	Lee		
D405,057 S	2/1999	Martin et al.		
D407,378 S	3/1999	Lee		
D411,523 S *	6/1999	Talesfore	.....	D14/433
D412,314 S	7/1999	Lee		
D415,101 S	10/1999	Martin		
D415,111 S	10/1999	Lee		
6,039,591 A	3/2000	Marsh et al.		
D425,487 S	5/2000	Lee		
6,129,568 A	10/2000	Mercurio et al.		
D434,009 S	11/2000	Lee		

6,176,716 B1	1/2001	Mercurio et al.	
6,203,370 B1	3/2001	Lee	
D445,422 S *	7/2001	Hsin	..... D14/385
D448,006 S	9/2001	Lee	
D450,296 S	11/2001	Lee	
6,341,979 B1	1/2002	Yamamoto	
D453,322 S	2/2002	Lee	
D456,362 S	4/2002	Lee	
6,406,313 B1	6/2002	Victor	
D463,373 S	9/2002	Lee	
D471,870 S	3/2003	Lee	
D473,194 S	4/2003	Lee	

(Continued)

**OTHER PUBLICATIONS**

ZB-Pro Professional Network Management Tool, [online], [retrieved on Mar. 23, 2011]. Retrieved from the Internet <URL: <http://www.rticorp.com/products/zbpro.html>>.\*

(Continued)

*Primary Examiner* — Karen E Kearney

(74) *Attorney, Agent, or Firm* — LaRiviere, Grubman & Payne, LLP

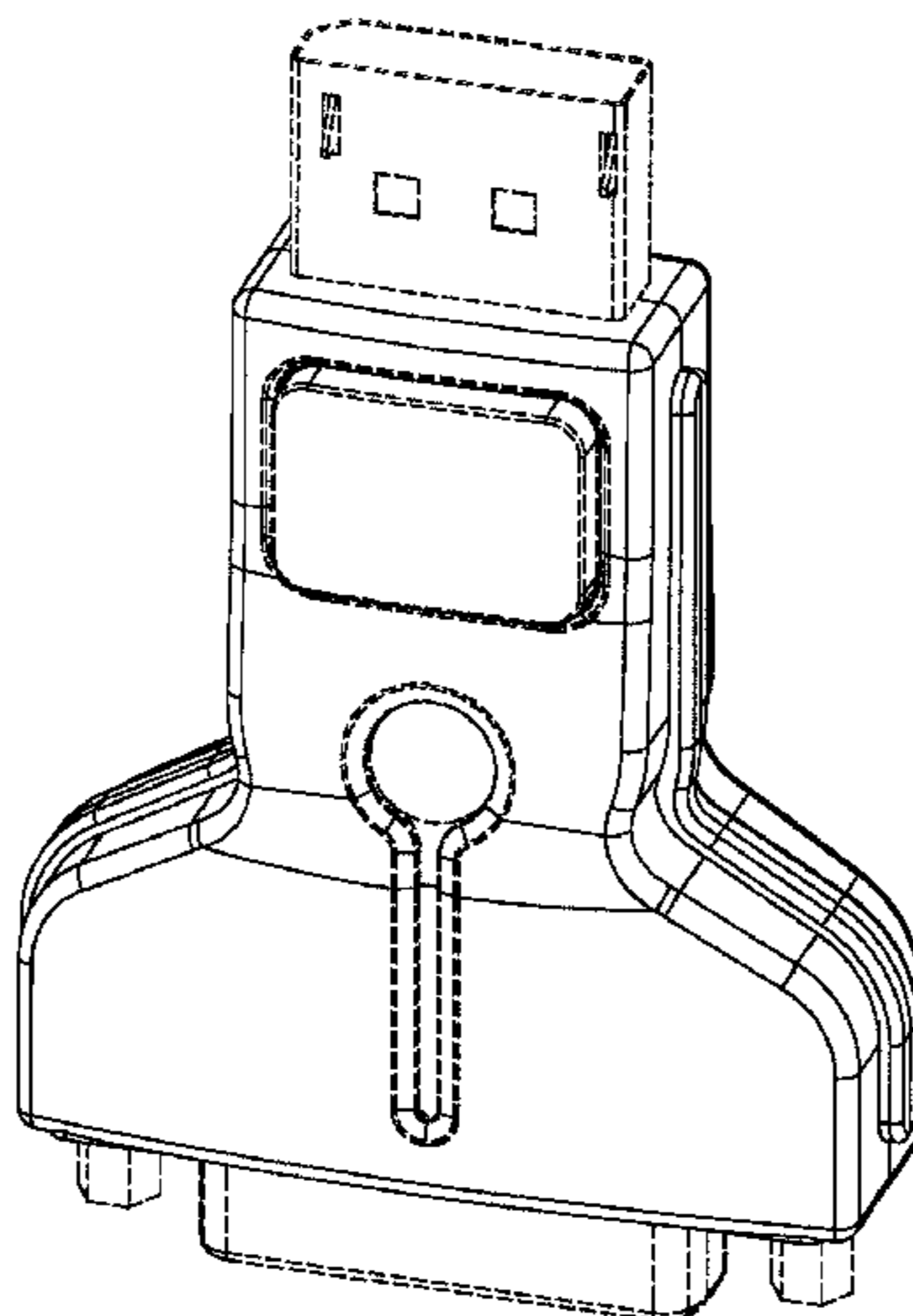
(57) **CLAIM**

The ornamental design for a connector, as shown and described.

**DESCRIPTION**

FIG. 1 is a front perspective view of a connector, showing our new design;  
FIG. 2 is a front view thereof;  
FIG. 3 is a rear view thereof;  
FIG. 4 is a side view thereof;  
FIG. 5 is an opposing side view thereof;  
FIG. 6 is a top view thereof; and,  
FIG. 7 is a bottom view thereof.  
The broken line showings of the USB and VGA connectors and the various elements on the front and rear in all the figures are included for the purpose of illustrating unclaimed portions of the connector and form no part of the claimed design.

**1 Claim, 3 Drawing Sheets**



# US D655,295 S

Page 2

## U.S. PATENT DOCUMENTS

6,609,935 B2 \* 8/2003 Huang ..... 439/620.16  
6,644,993 B2 11/2003 Victor  
D490,779 S 6/2004 Lee  
D491,085 S \* 6/2004 Shambaugh et al. .... D10/78  
D493,113 S \* 7/2004 Shambaugh et al. .... D10/78  
D505,390 S 5/2005 Lee et al.  
D511,501 S 11/2005 Lee et al.  
D514,523 S 2/2006 Lee et al.  
D515,508 S 2/2006 Lee  
D517,497 S 3/2006 Lee  
D549,174 S 8/2007 Lee et al.  
D549,662 S 8/2007 Lee et al.  
D553,568 S 10/2007 Lee et al.  
D563,872 S 3/2008 Lee et al.  
D563,897 S 3/2008 Lee et al.  
D563,898 S 3/2008 Lee et al.  
D570,788 S 6/2008 Lee et al.  
D570,789 S 6/2008 Lee et al.  
D573,103 S 7/2008 Lee et al.  
7,429,197 B2 9/2008 Weis et al.  
D581,413 S \* 11/2008 Kim ..... D14/480.7

D585,836 S 2/2009 Lee et al.  
7,484,990 B1 2/2009 Lee et al.  
D588,546 S 3/2009 Lee et al.  
D588,547 S 3/2009 Lee et al.  
D588,548 S 3/2009 Lee et al.  
D588,549 S 3/2009 Lee et al.  
D592,149 S 5/2009 Lee et al.  
D593,954 S 6/2009 Lee et al.  
D599,742 S 9/2009 Hyncek et al.  
D617,279 S \* 6/2010 Lee et al. .... D13/147  
D633,096 S \* 2/2011 Corcoran ..... D14/480.1  
D635,931 S \* 4/2011 Amidon ..... D13/154  
D635,933 S \* 4/2011 Amidon ..... D13/154  
2008/0009159 A1 \* 1/2008 Chang ..... 439/138  
2010/0281209 A1 \* 11/2010 Ni et al. .... 711/103

## OTHER PUBLICATIONS

U.S. Appl. No. 11/872,856, filed Oct. 16, 2007, Vern Smith.  
U.S. Appl. No. 12/201,418, filed Aug. 29, 2008, Dan Hua, et al.  
U.S. Appl. No. 12/201,645, filed Aug. 29, 2008, David Leung, et al.

\* cited by examiner

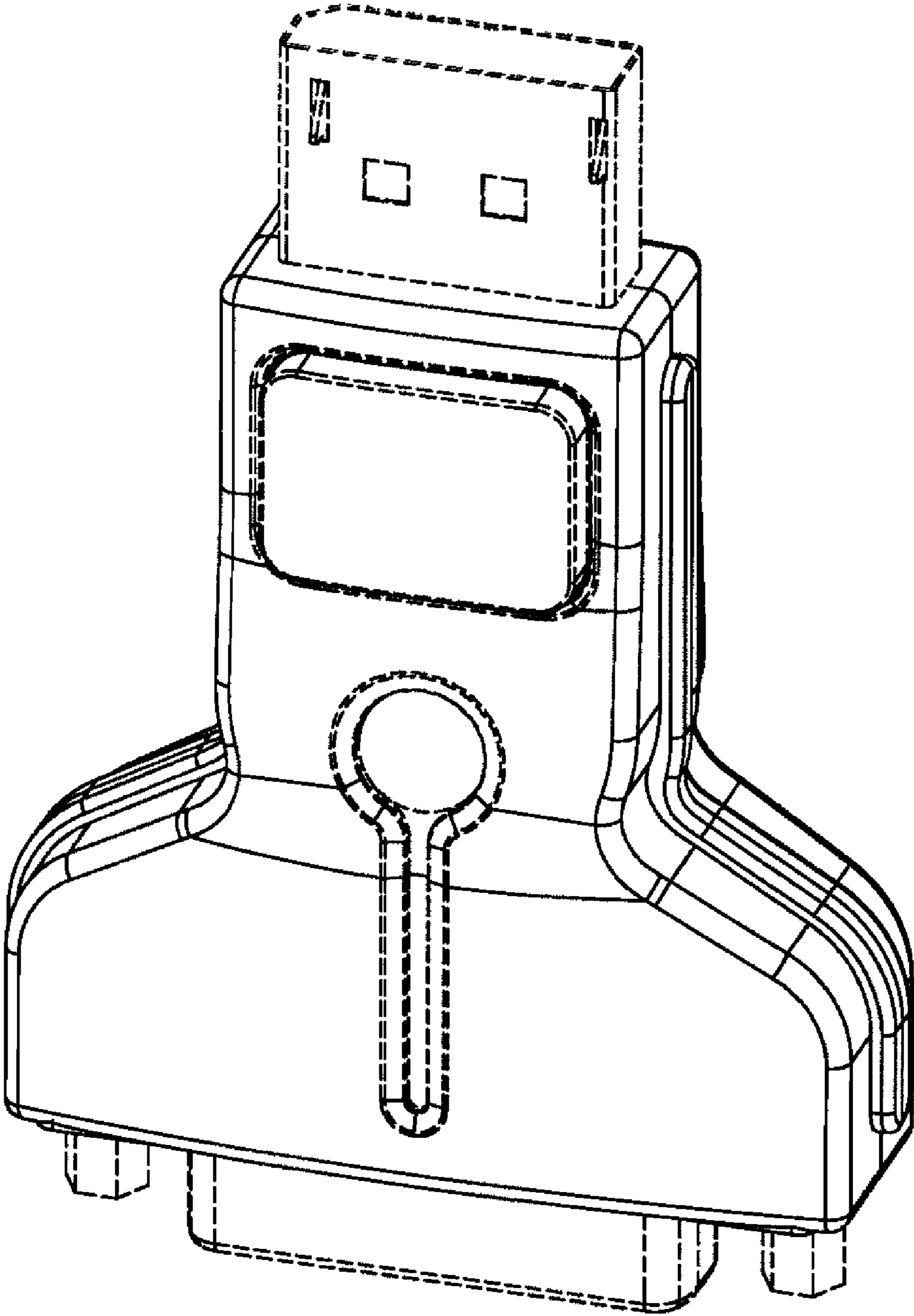


Figure 1

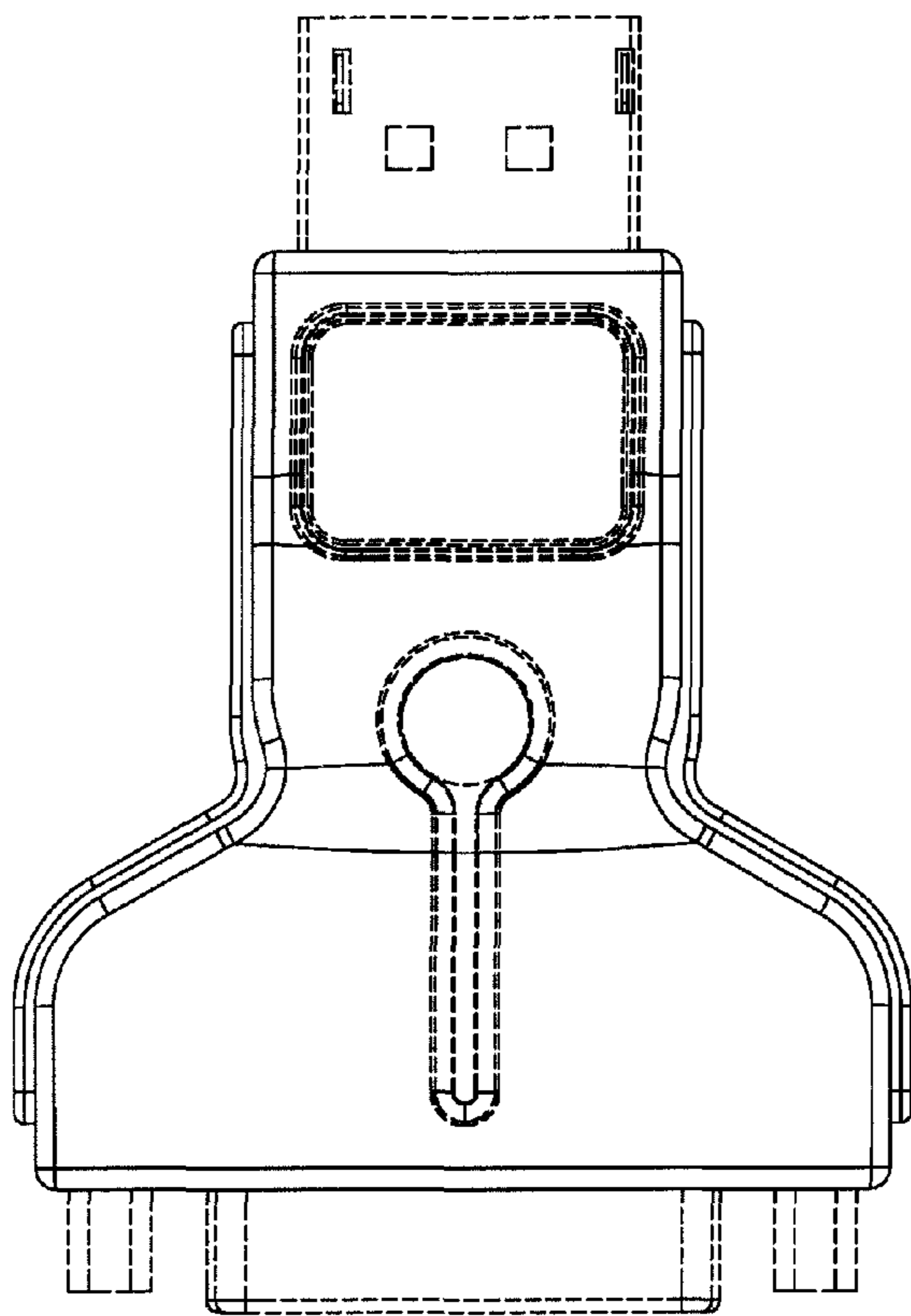


Figure 2

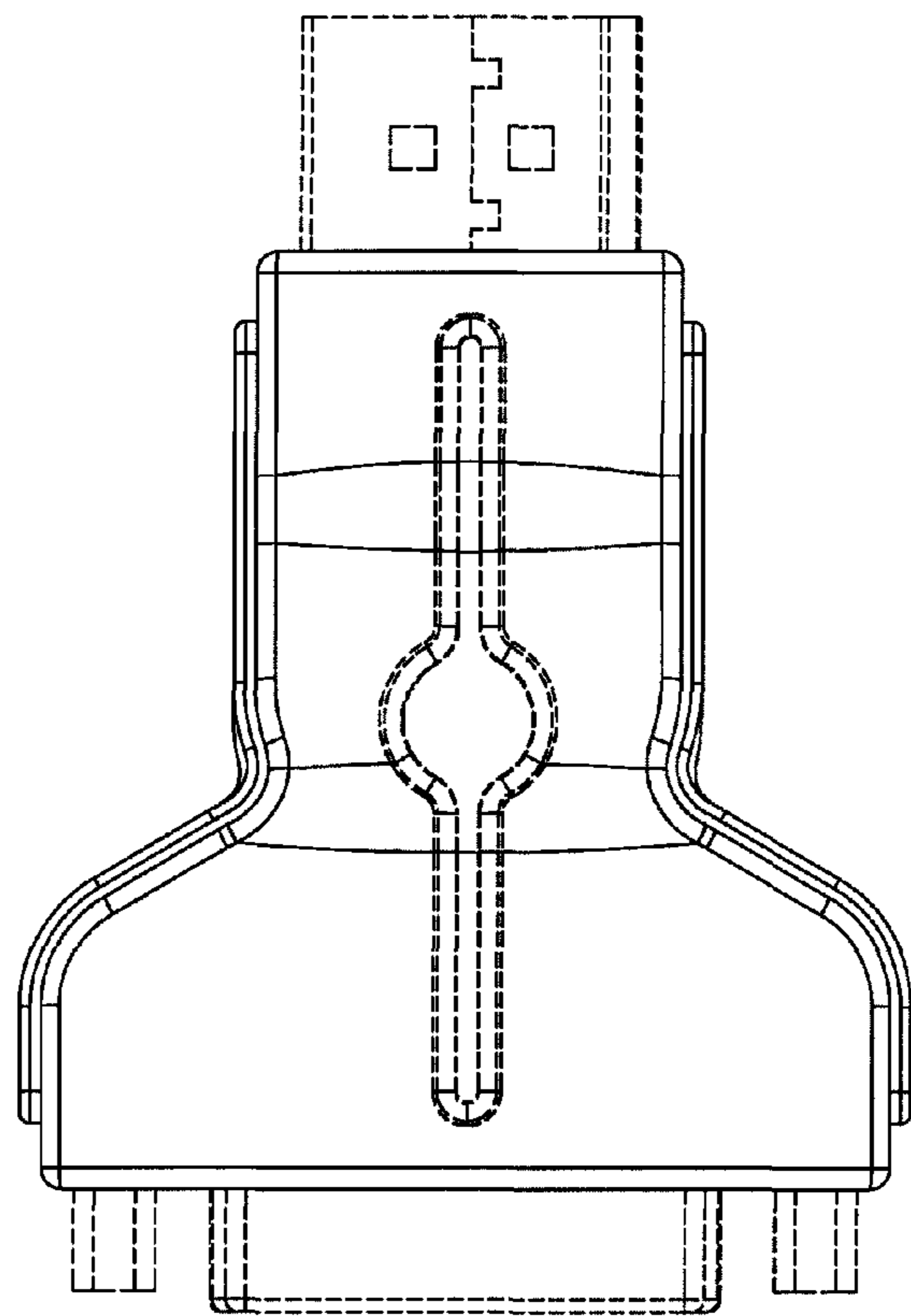


Figure 3

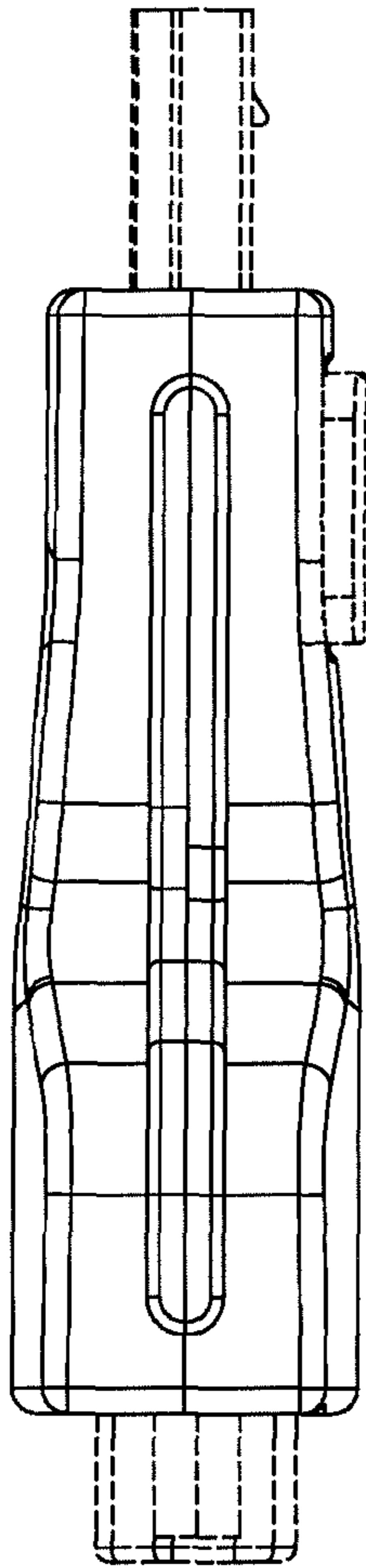


Figure 4

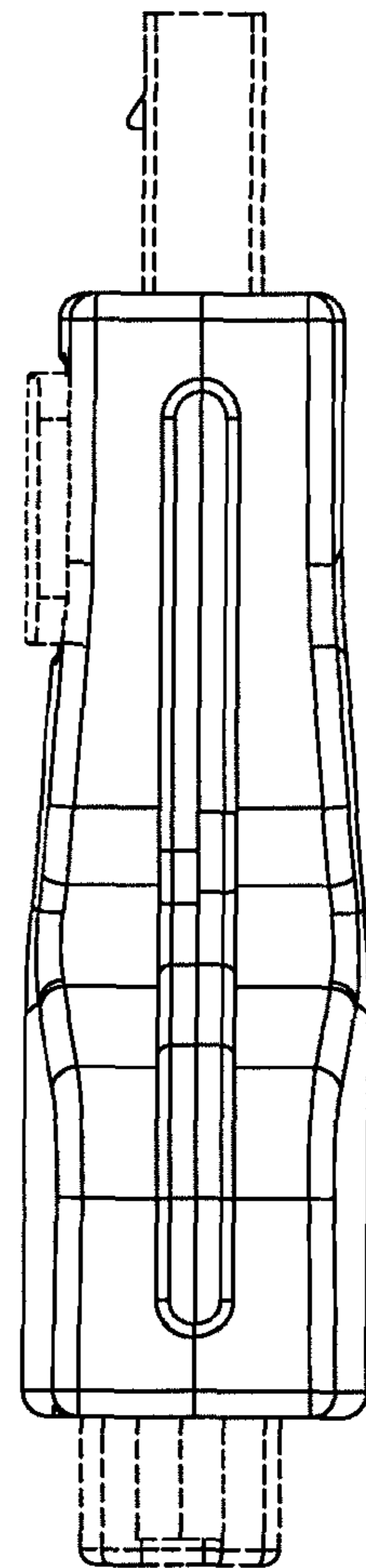


Figure 5

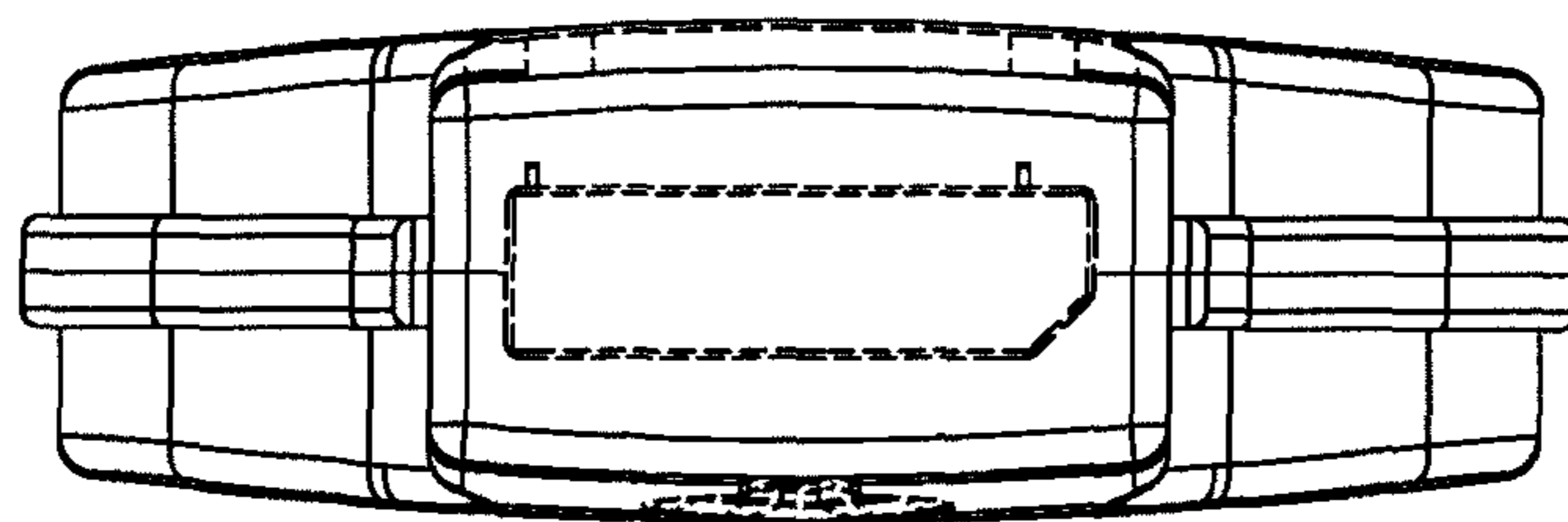


Figure 6

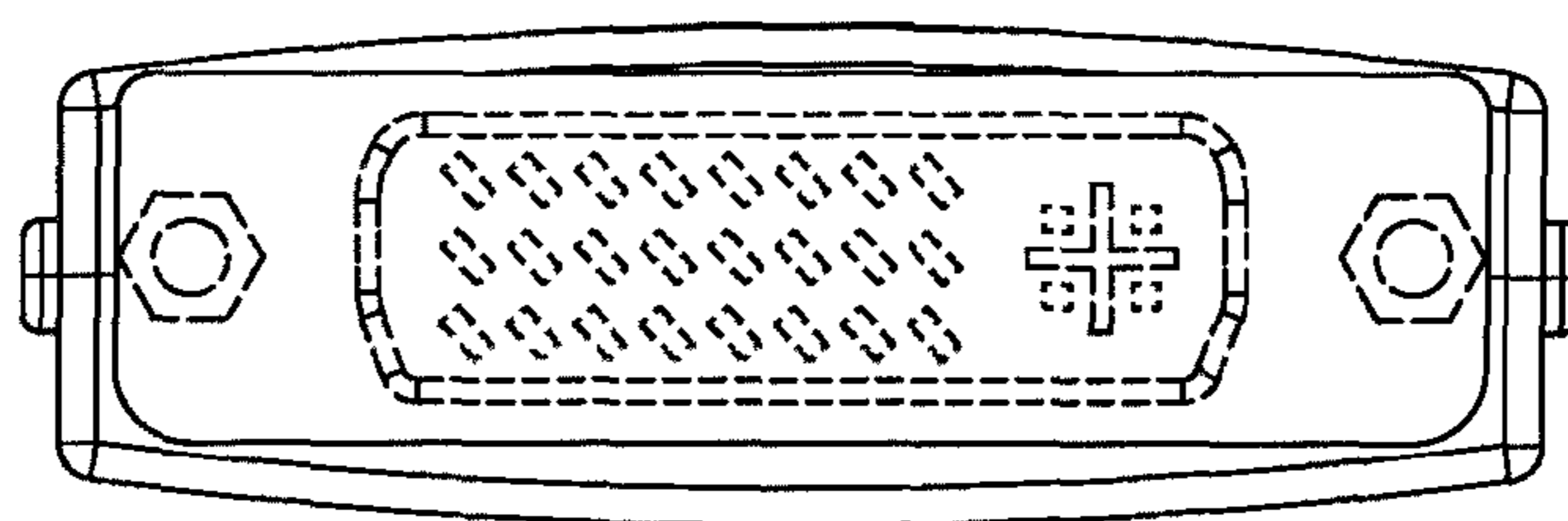


Figure 7