

US00D655293S

(12) **United States Design Patent**  
**Gioscia et al.**

(10) **Patent No.:** **US D655,293 S**  
(45) **Date of Patent:** **\*\* Mar. 6, 2012**

(54) **DOCKING STATION FOR COMPUTING DEVICES**

D598,453 S \* 8/2009 Solomon et al. .... D14/434  
D606,545 S \* 12/2009 Salmon ..... D14/434  
D627,785 S \* 11/2010 Bouthillier ..... D14/434

(75) Inventors: **Richard Gioscia**, Santa Clara, CA (US);  
**Seuncheon Lee**, Milpitas, CA (US);  
**Anand Agarwal**, San Jose, CA (US);  
**Doug Satzger**, Menlo Park, CA (US);  
**Philip Bryan**, San Francisco, CA (US)

\* cited by examiner

*Primary Examiner* — Freda S Nunn

(73) Assignee: **Hewlett-Packard Development Company, L.P.**, Houston, TX (US)

(57) **CLAIM**

The ornamental design for a docking station for computing devices, as shown and described.

(\*\*) Term: **14 Years**

**DESCRIPTION**

(21) Appl. No.: **29/385,070**

FIG. 1 is a front perspective view of a docking station for computing devices showing our new design;  
FIG. 2 is a rear perspective view thereof;  
FIG. 3 is a front view thereof;  
FIG. 4 is a rear view thereof;  
FIG. 5 is right side view thereof;  
FIG. 6 is a left side view thereof;  
FIG. 7 is a top end view thereof;  
FIG. 8 is a bottom view thereof;  
FIG. 9 is a front perspective view of a second embodiment thereof;  
FIG. 10 is a rear perspective view thereof;  
FIG. 11 is a front view thereof;  
FIG. 12 is a rear view thereof;  
FIG. 13 is a right side view thereof;  
FIG. 14 is a left side view thereof;  
FIG. 15 is a top end view thereof; and  
FIG. 16 is a bottom end view thereof.

(22) Filed: **Feb. 8, 2011**

(51) **LOC (9) Cl.** ..... **14-02**

(52) **U.S. Cl.** ..... **D14/434**

(58) **Field of Classification Search** ..... D14/432-434,  
D14/314, 204, 420, 421, 217; D13/107,  
D13/108, 146; D8/373; 248/346.03, 176.1;  
361/679.14, 679.31, 679.32, 679.4, 679.43,  
361/697.55; 320/109, 112-115

See application file for complete search history.

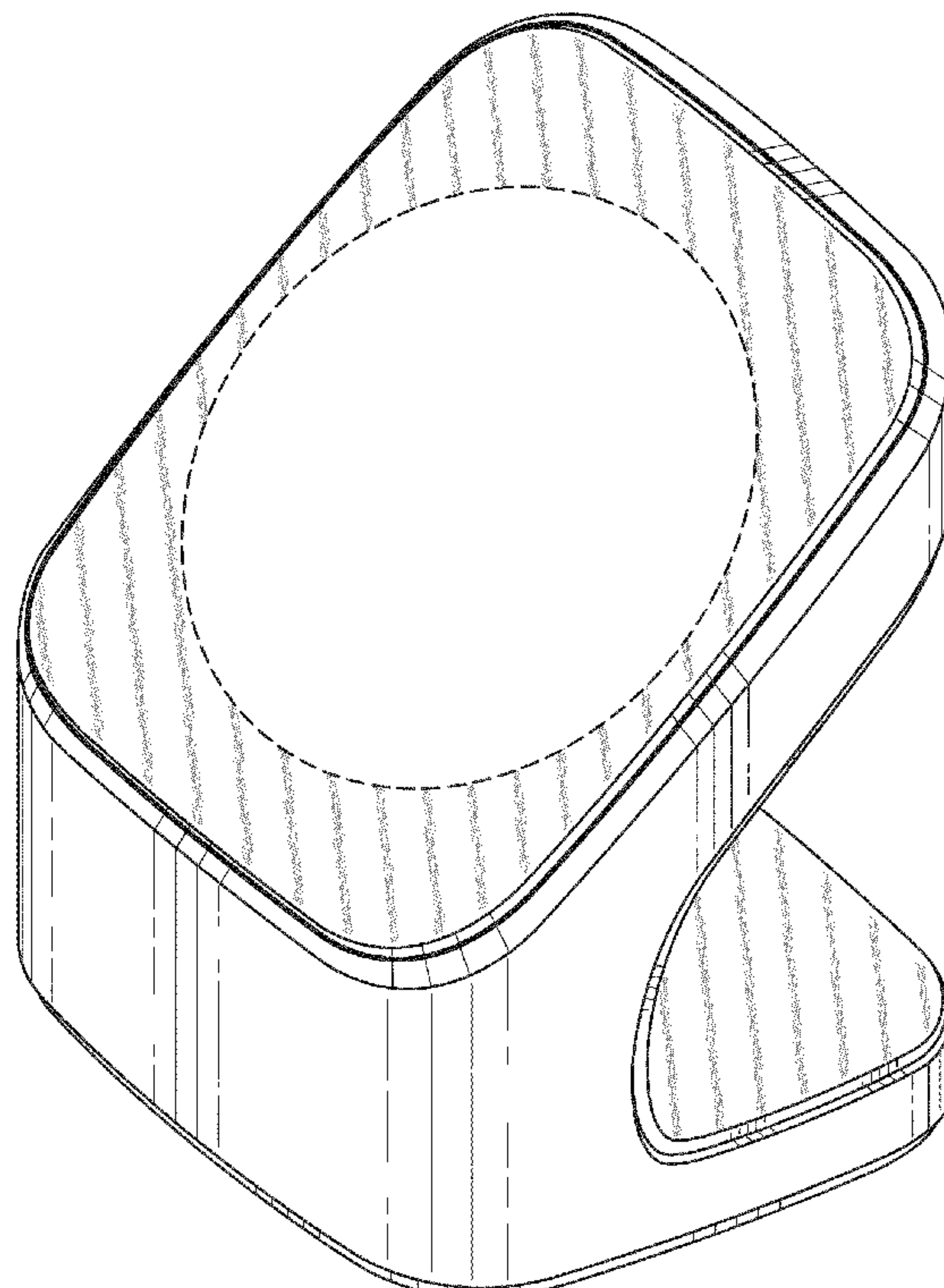
The interior of the phantom portions of the embodiments form no part of the claimed design.

(56) **References Cited**

U.S. PATENT DOCUMENTS

5,933,812 A \* 8/1999 Meyer et al. .... 705/15  
6,643,127 B1 \* 11/2003 Richardson ..... 361/679.4  
D520,013 S \* 5/2006 Yang ..... D14/434  
7,515,408 B2 \* 4/2009 Bakker et al. .... 361/679.33

**1 Claim, 16 Drawing Sheets**



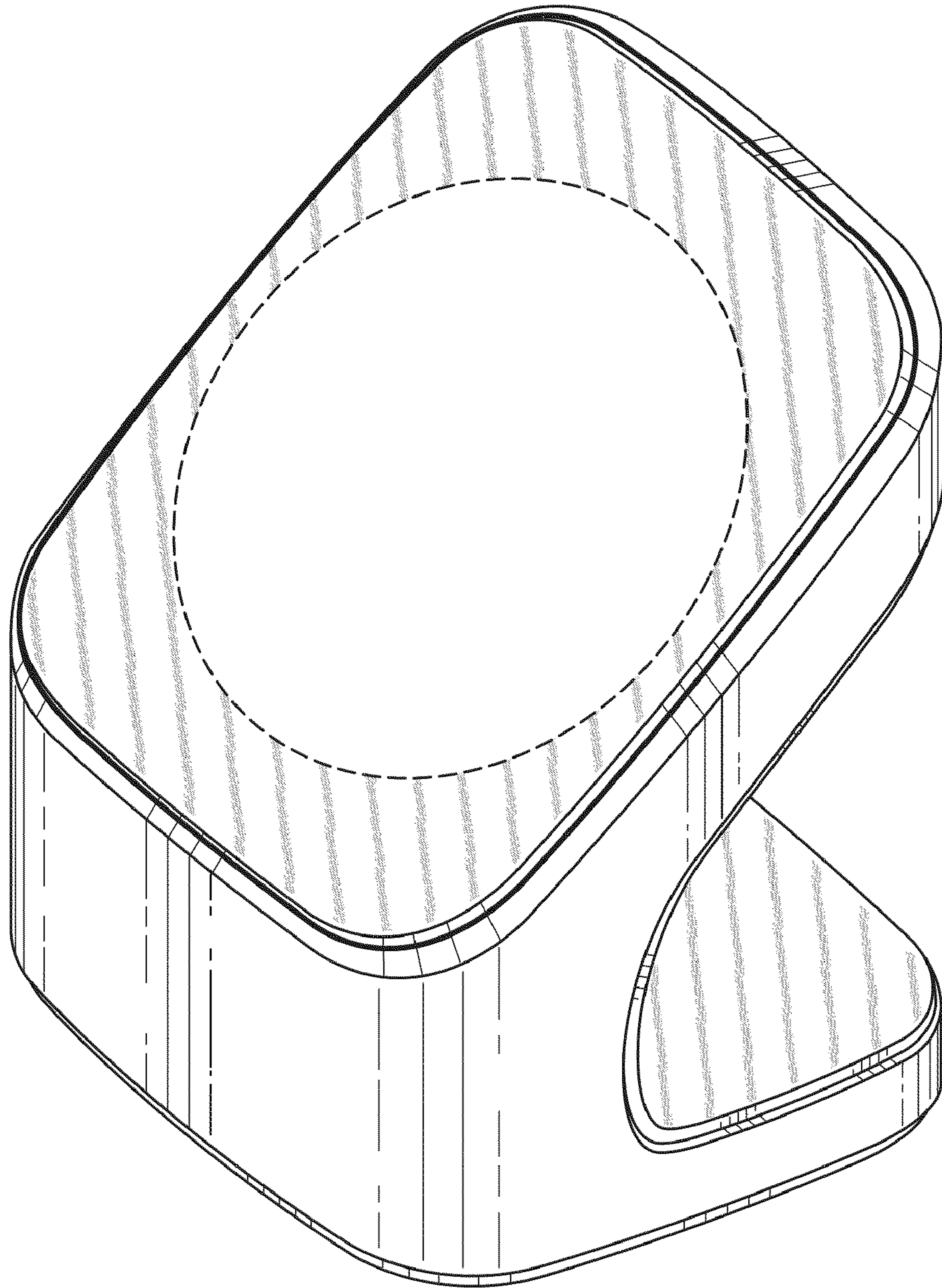


FIG. 1



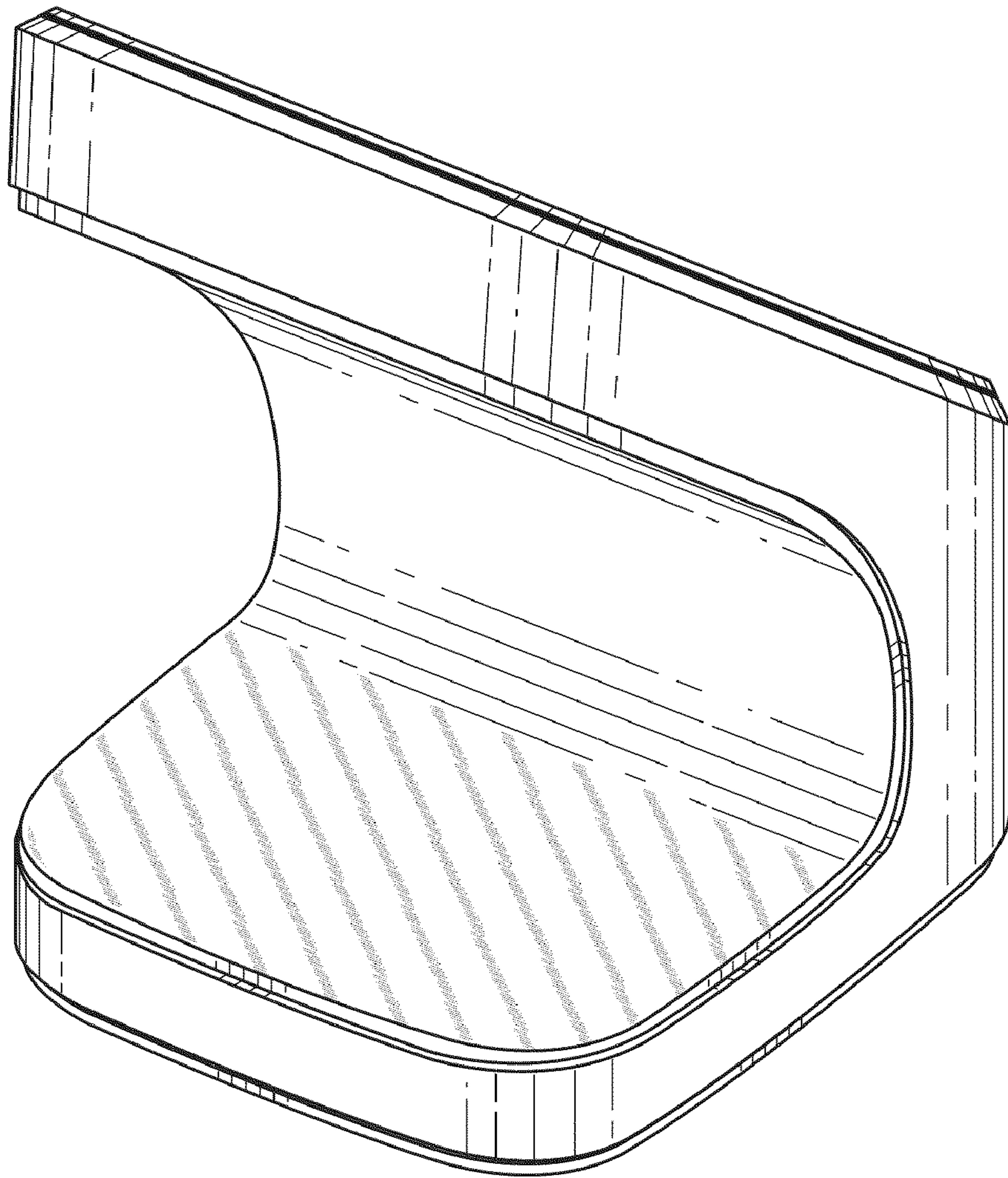


FIG. 2

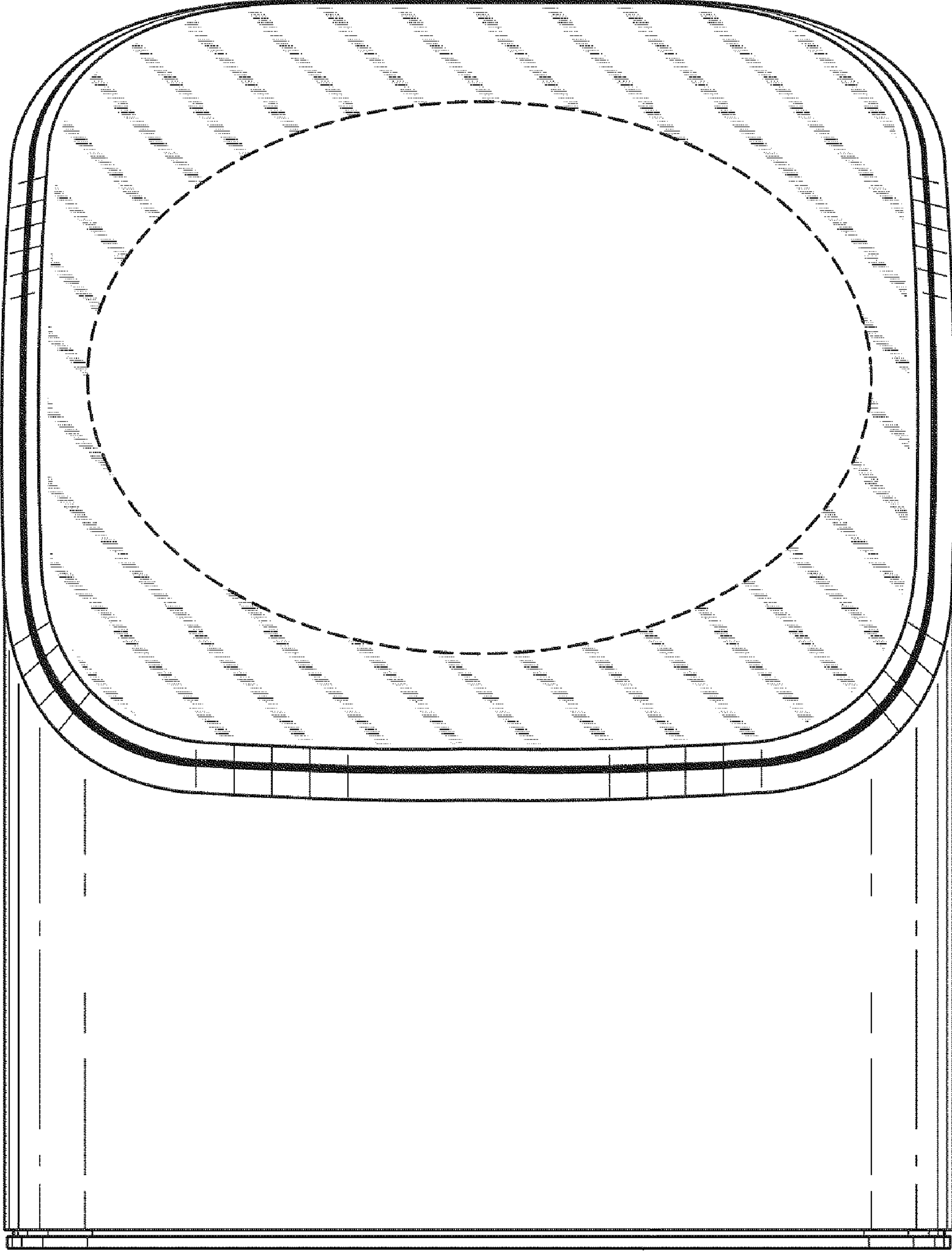


FIG. 3

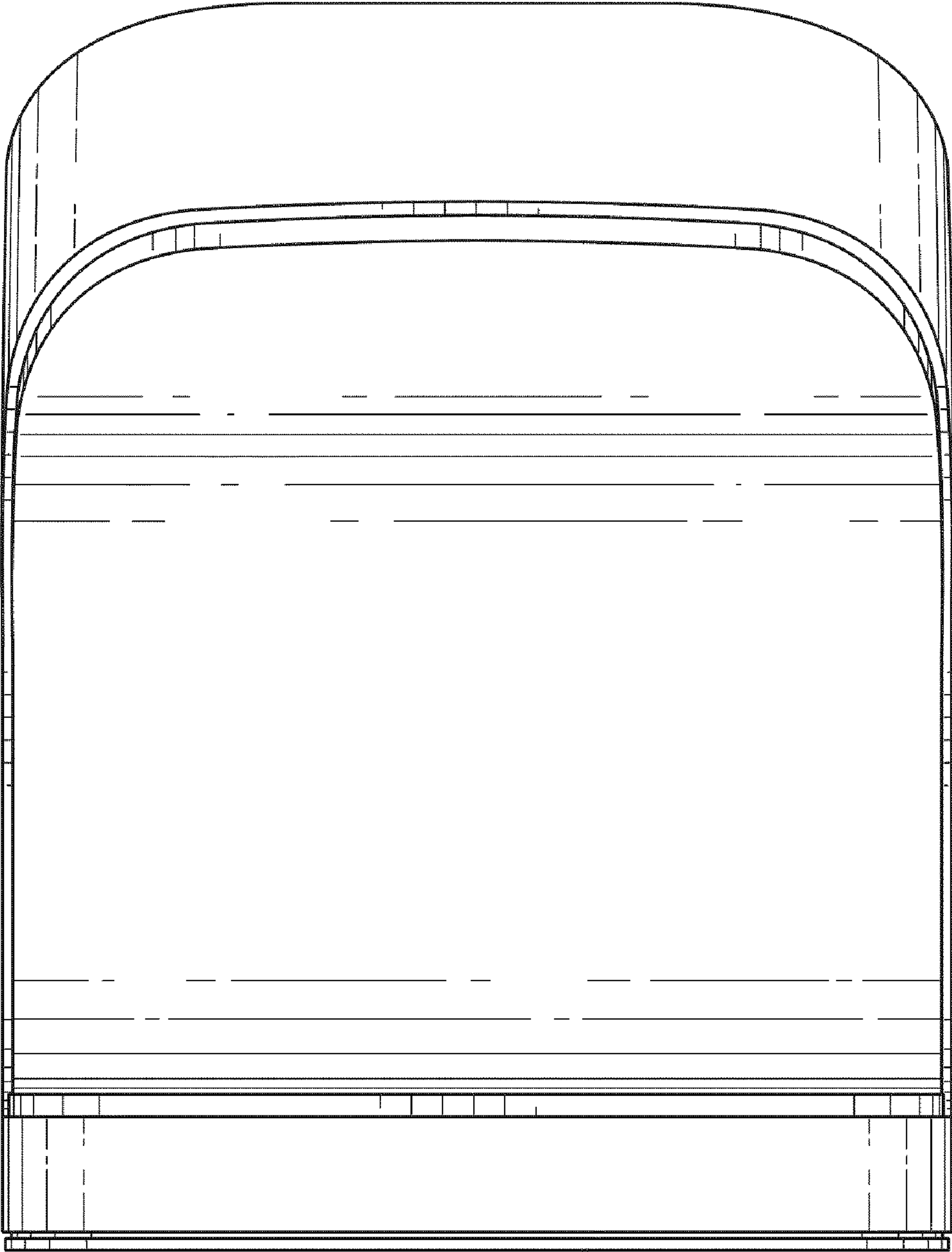


FIG. 4

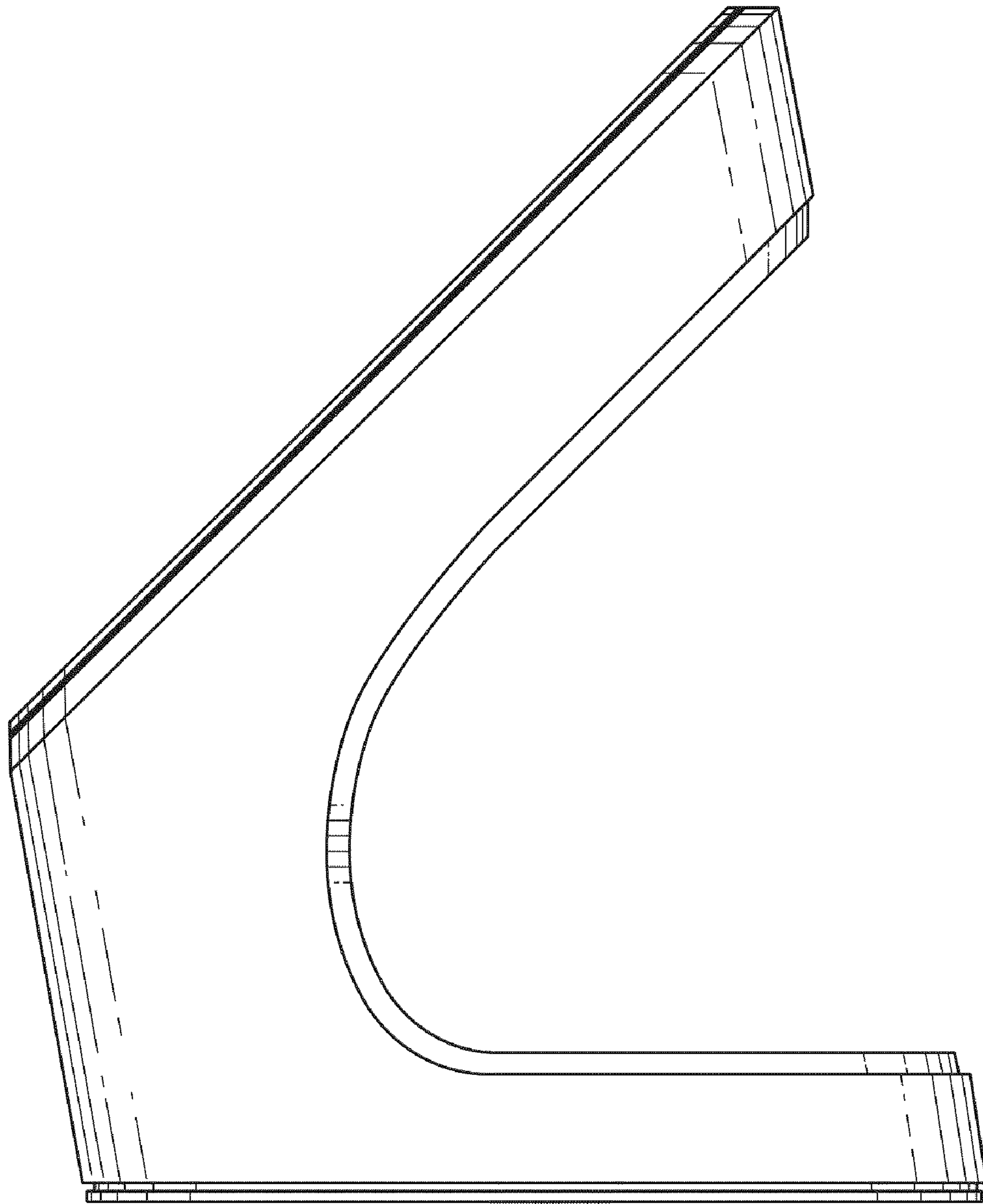


FIG. 5

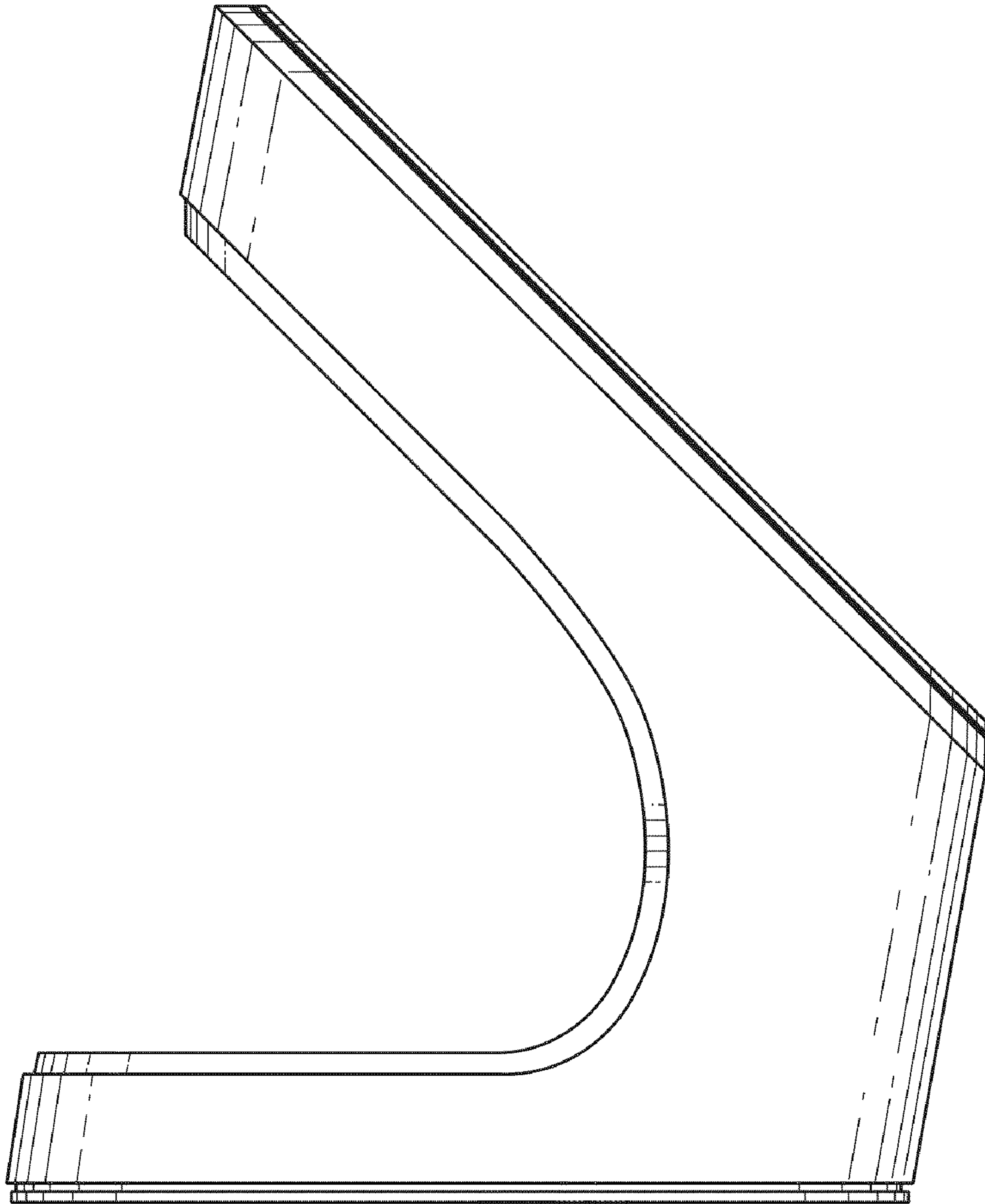


FIG. 6



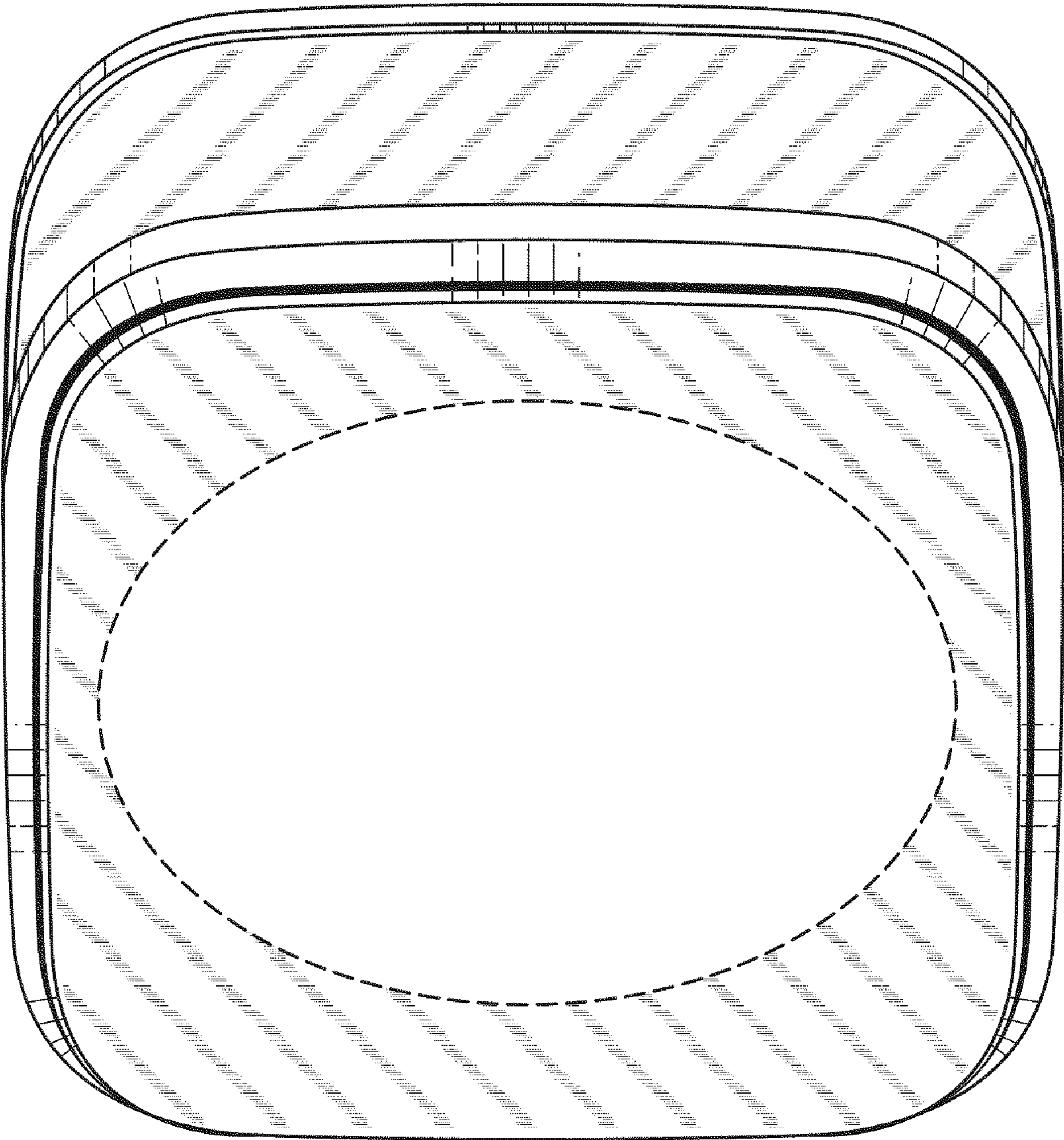


FIG. 7



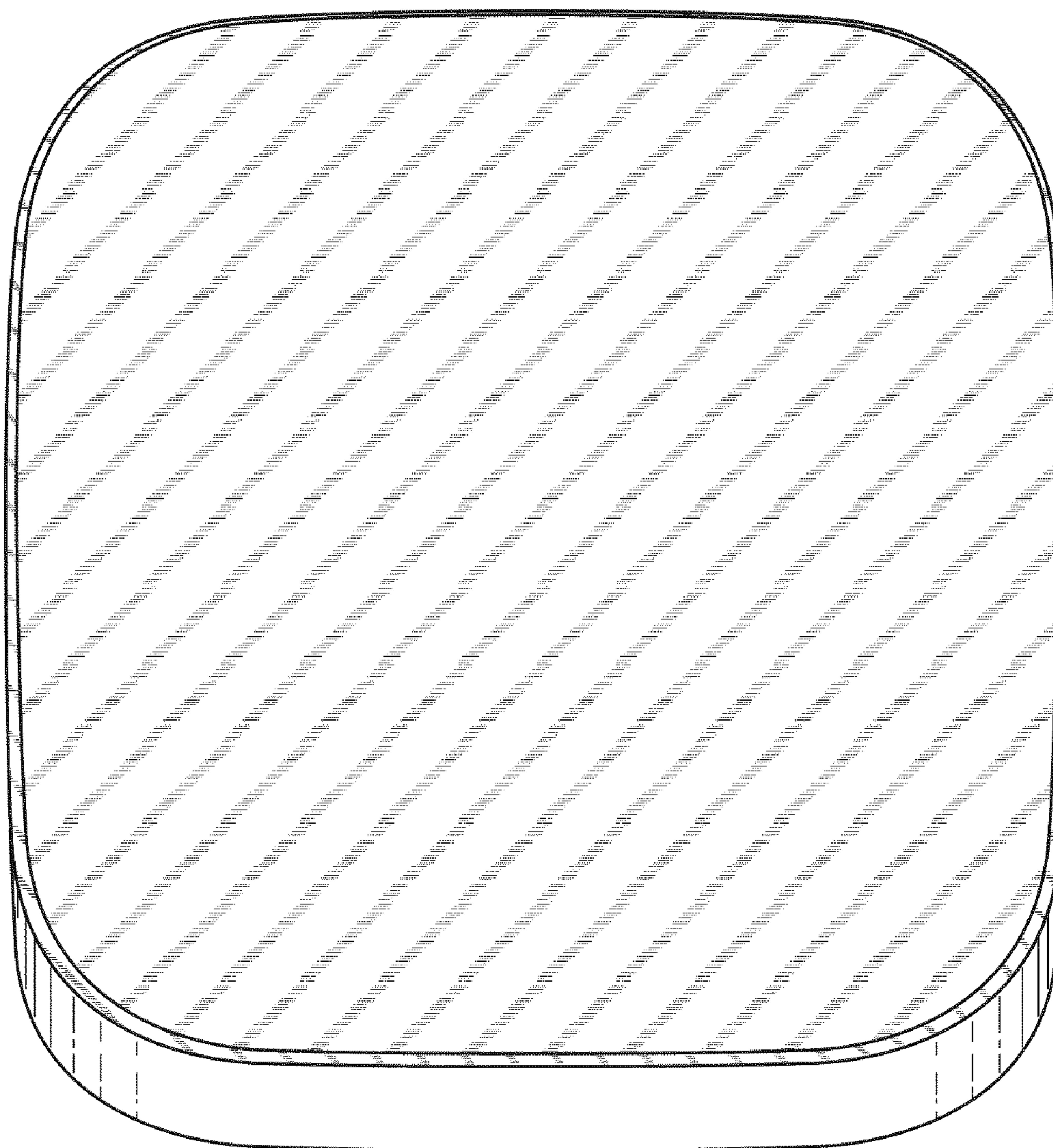


FIG. 8

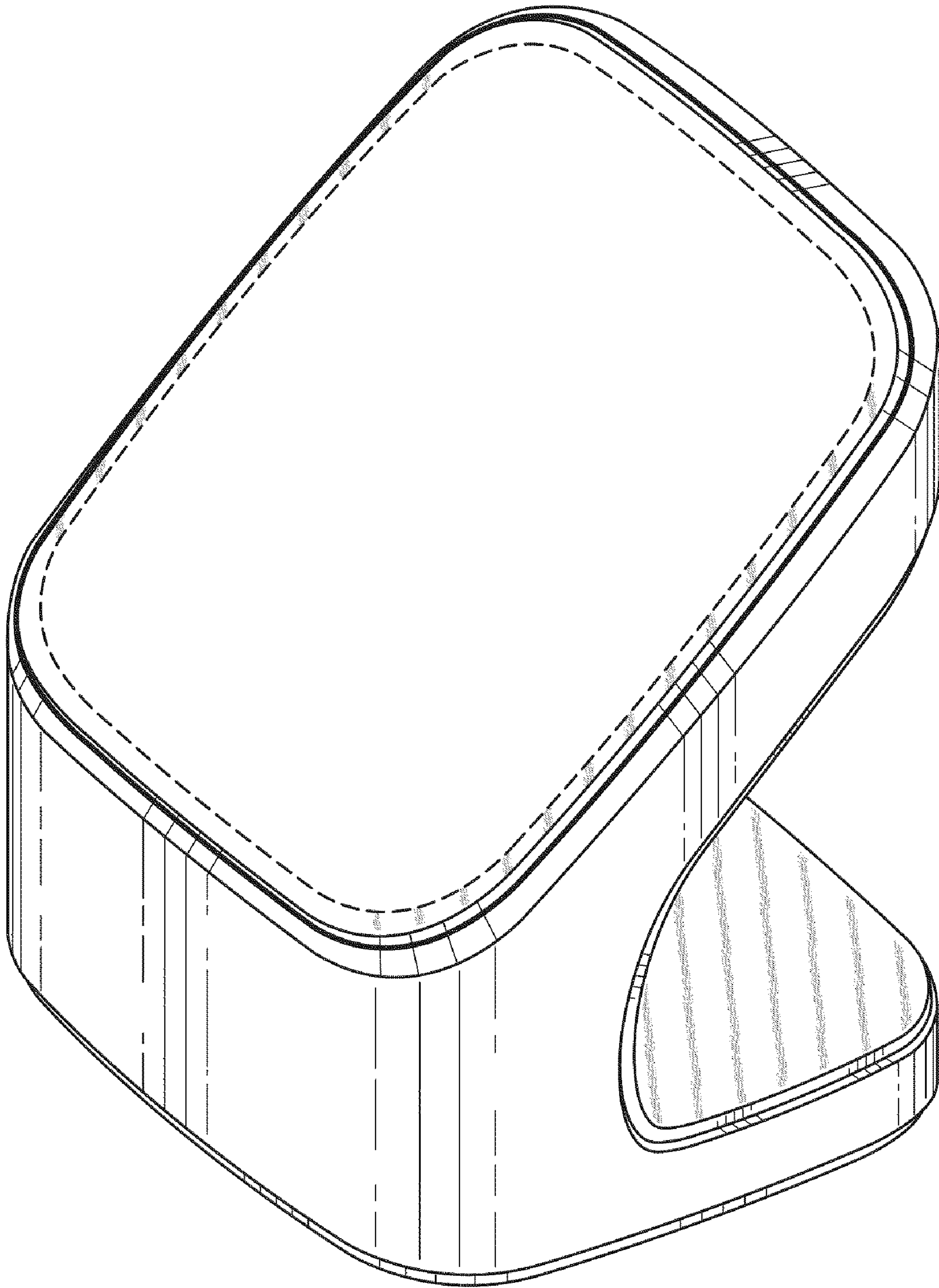


FIG. 9

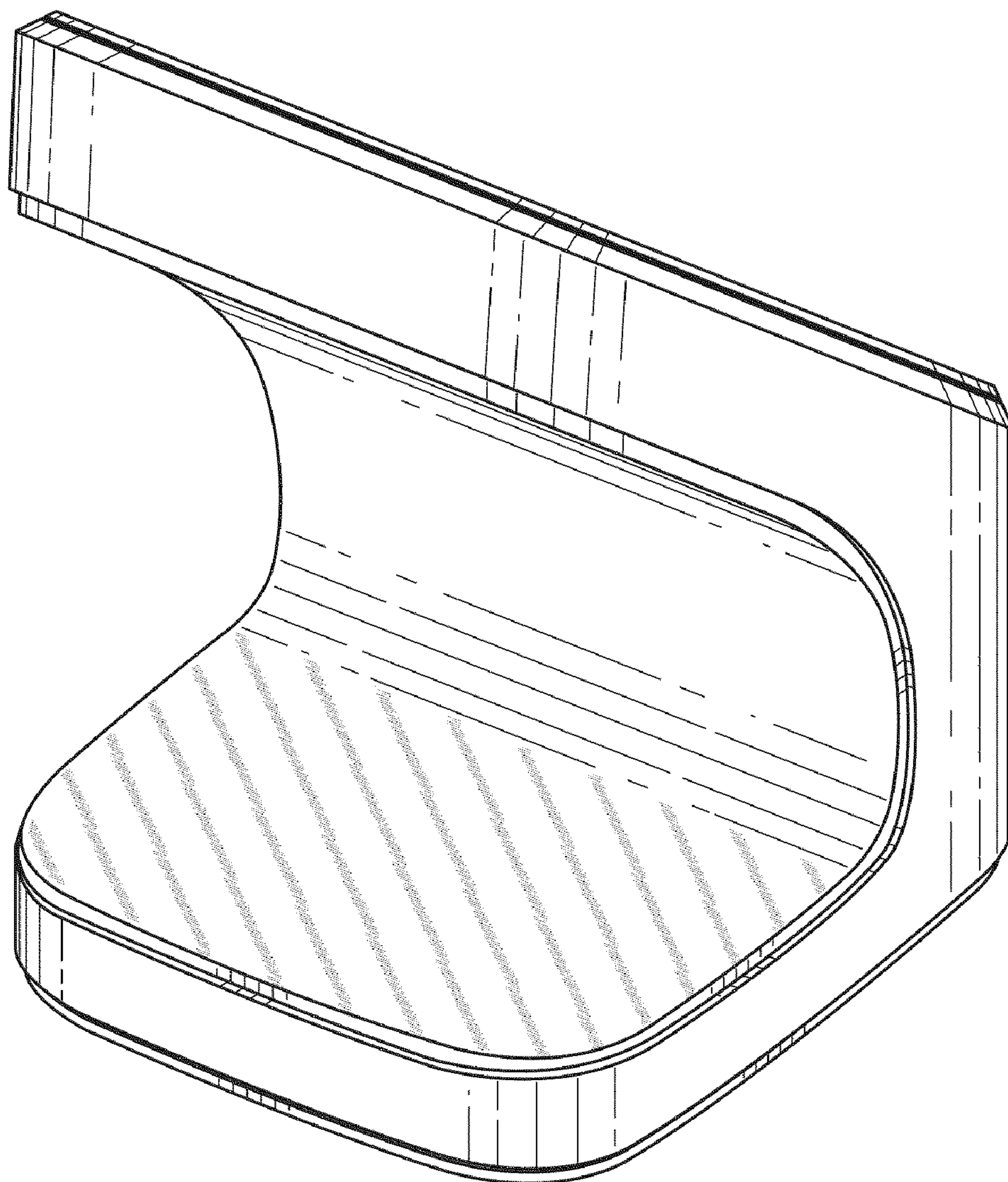


FIG. 10



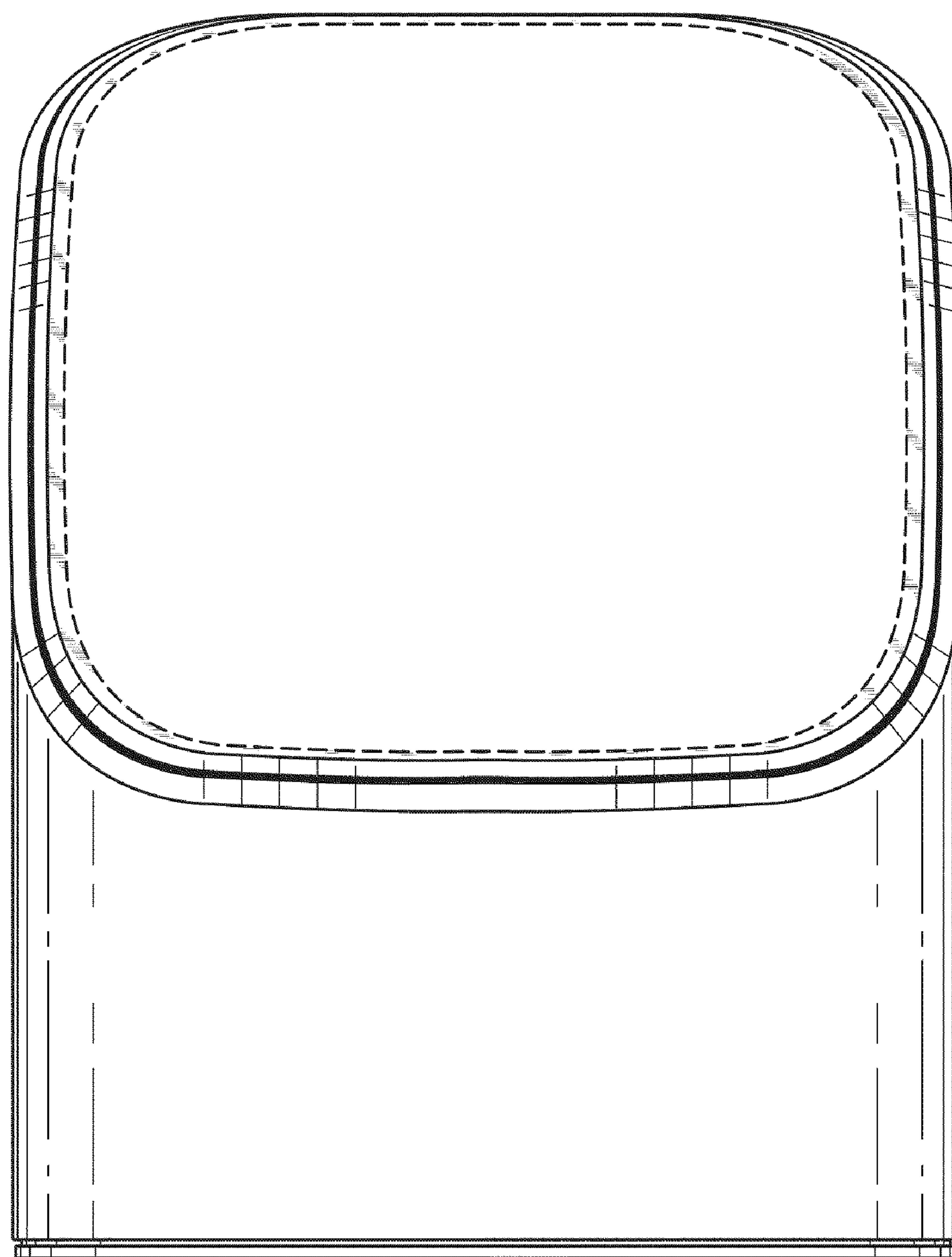


FIG. 11

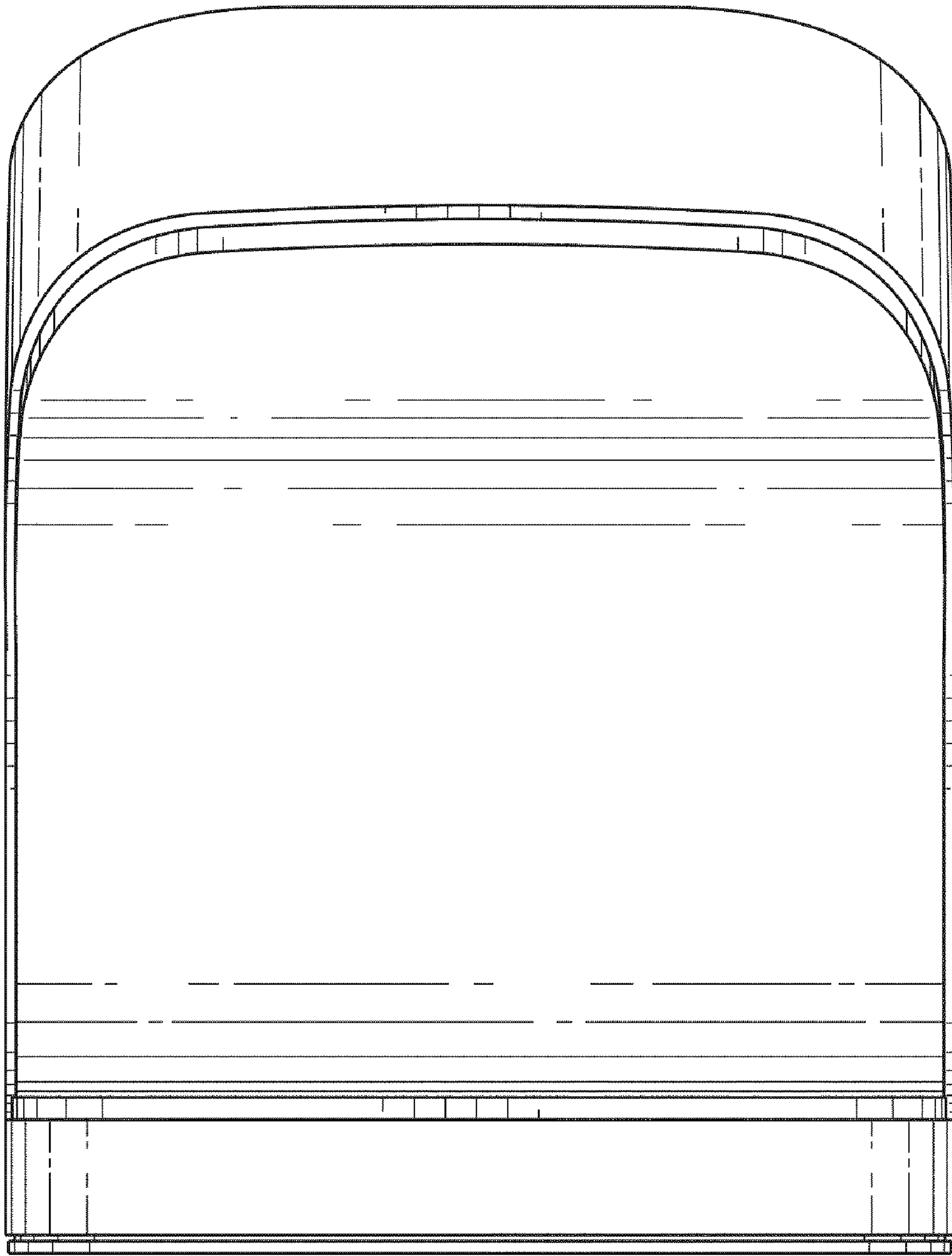


FIG. 12

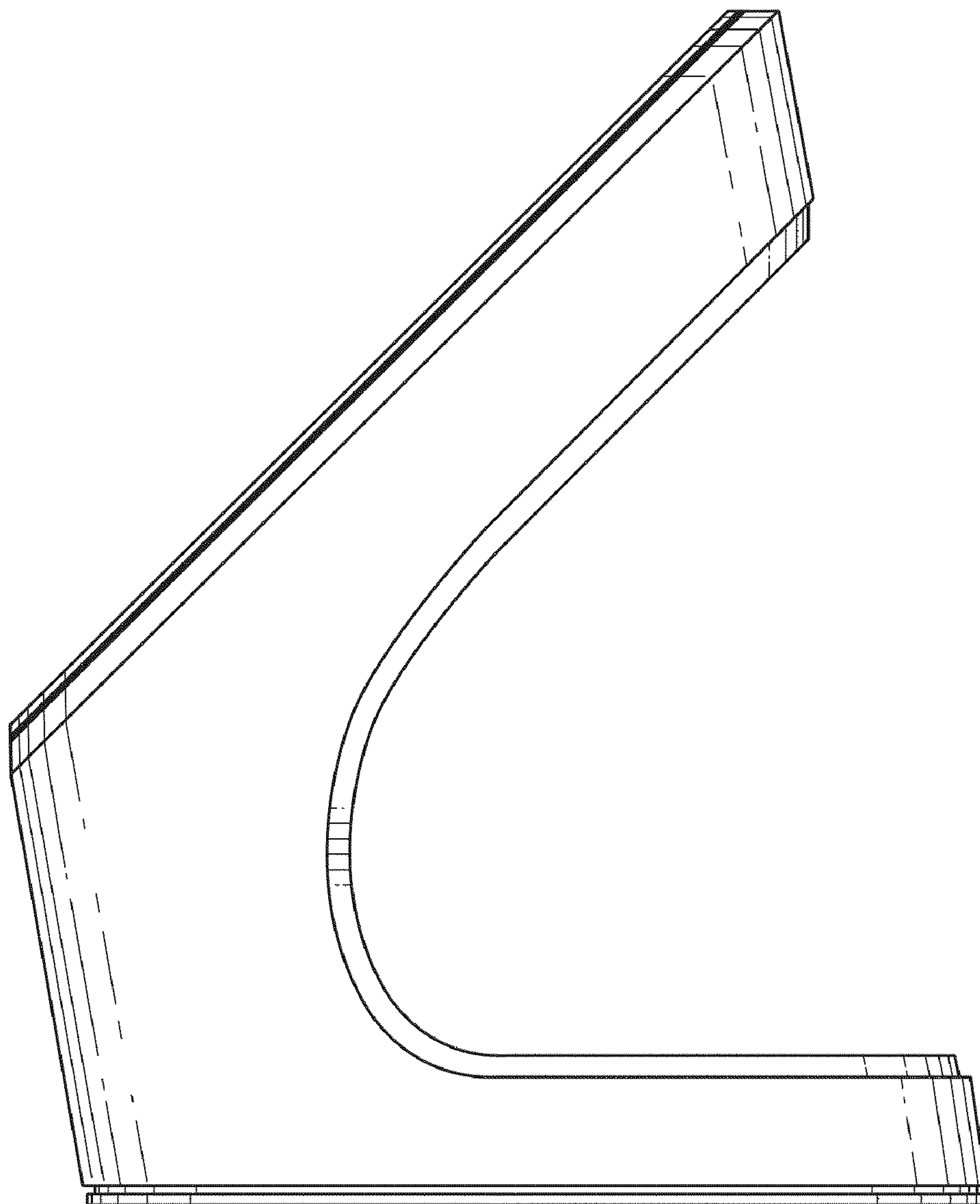


FIG. 13



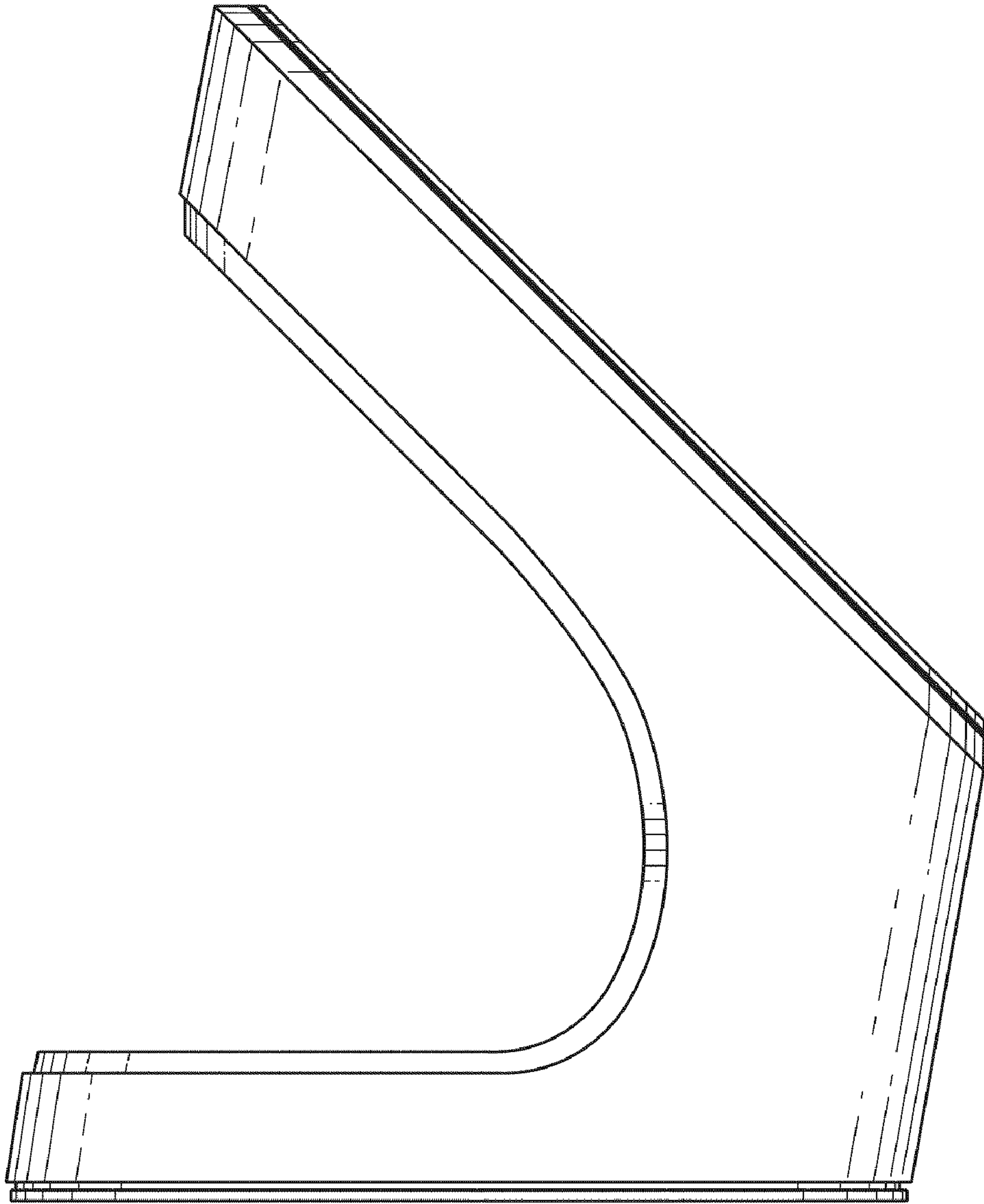


FIG. 14

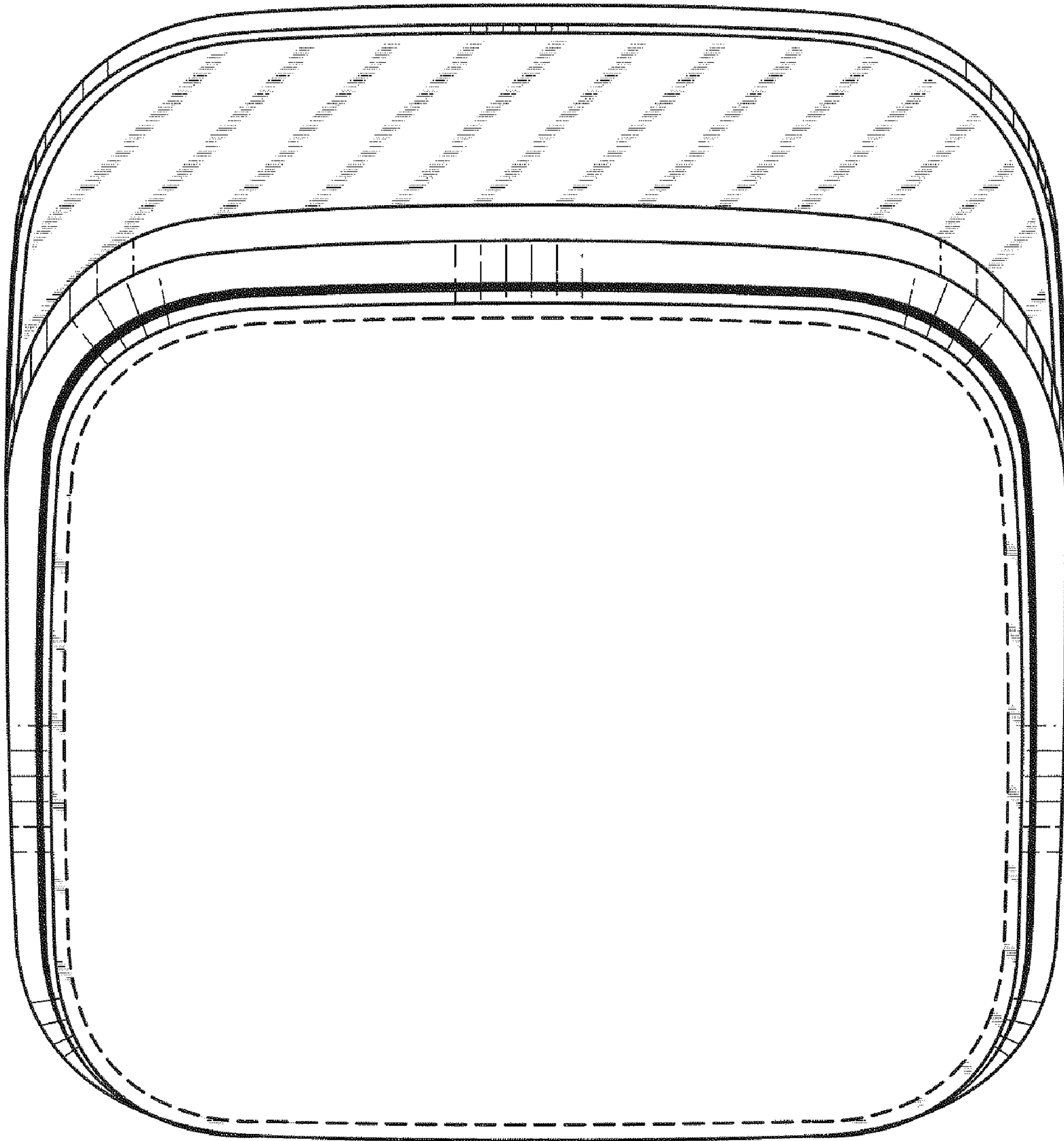


FIG. 15

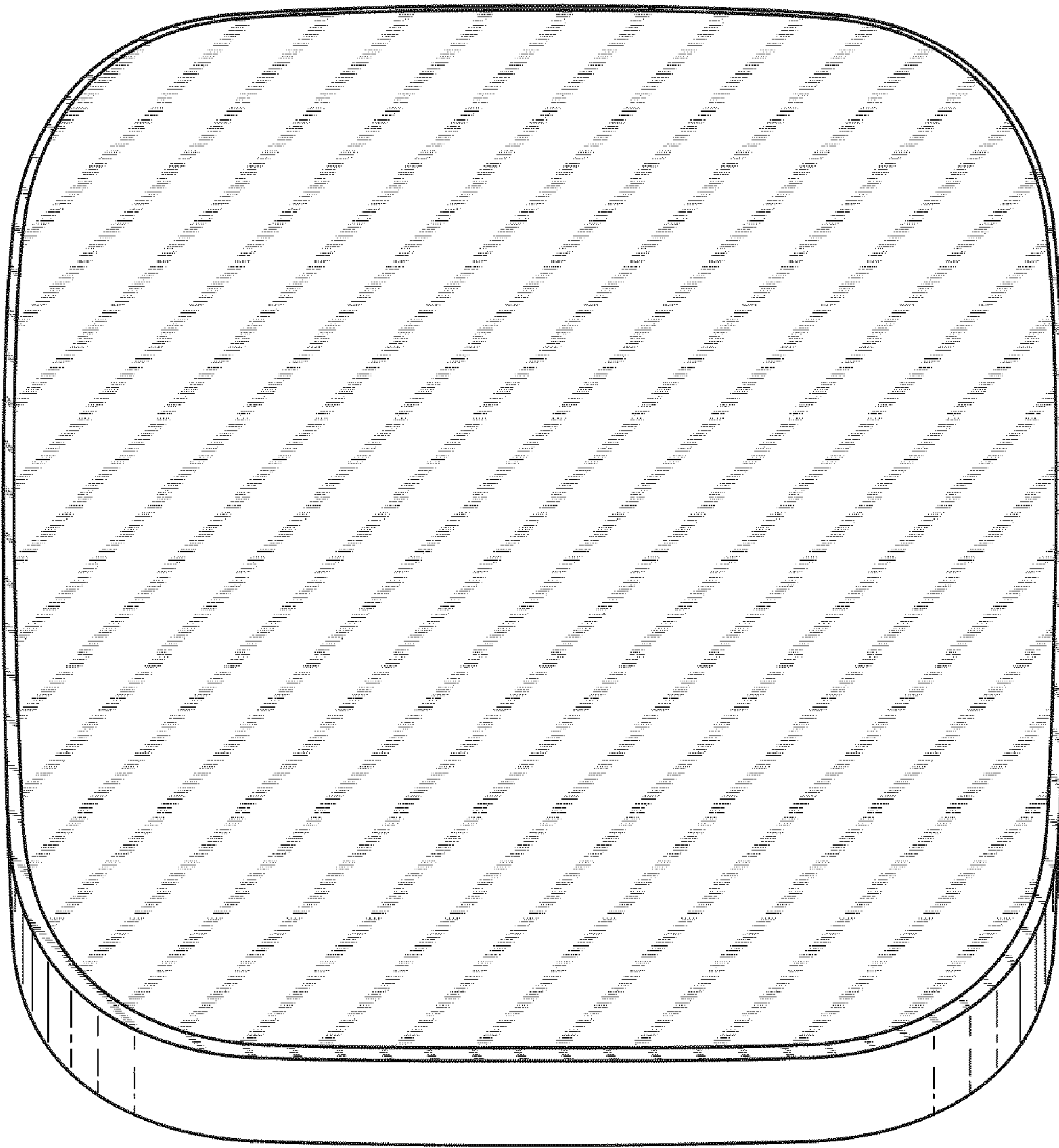


FIG. 16