



US00D655284S

(12) **United States Design Patent**  
**Richter**

(10) **Patent No.:** **US D655,284 S**

(45) **Date of Patent:** **\*\* Mar. 6, 2012**

(54) **SUCTION CUP APPARATUS HOLDER**

(76) Inventor: **Harald Richter**, Engelbrand (DE)

(\*\*) Term: **14 Years**

(21) Appl. No.: **29/370,972**

(22) Filed: **Sep. 27, 2010**

(51) **LOC (9) Cl.** ..... **14-03**

(52) **U.S. Cl.** ..... **D14/253**

(58) **Field of Classification Search** ..... D14/140,  
D14/217, 224, 224.1, 229, 240, 243, 250-253,  
D14/299, 344, 434, 447, 451-452, 483, 496;  
D13/108; 361/679.41; 439/534; 320/115,  
320/116, 107; D8/355, 363; D12/415, 418;  
379/449, 455, 165; 248/122.1, 127, 157,  
248/205.8, 206.2, 279.1, 205.5, 309.1, 309.3,  
248/352; D3/201, 218, 269, 273, 301; D11/79;  
63/26

See application file for complete search history.

(56) **References Cited**

**U.S. PATENT DOCUMENTS**

D554,136 S *	10/2007	Richter	.....	D14/447
D554,137 S *	10/2007	Richter	.....	D14/253
D579,854 S *	11/2008	Mo	.....	D12/415
D590,834 S *	4/2009	Richter	.....	D14/253
D592,205 S *	5/2009	O'Brien	.....	D14/447
D593,566 S *	6/2009	Richter	.....	D14/253
D599,355 S *	9/2009	Richter	.....	D14/253
D602,024 S *	10/2009	Richter	.....	D14/447
D602,025 S *	10/2009	Richter	.....	D14/253
D613,731 S *	4/2010	Yeo	.....	D14/253
D619,587 S *	7/2010	Richter	.....	D14/447
D638,008 S *	5/2011	Richter	.....	D14/253

\* cited by examiner

*Primary Examiner* — Raphael Barkai

*Assistant Examiner* — Randall Gholson

(74) *Attorney, Agent, or Firm* — Klaus J. Bach

(57) **CLAIM**

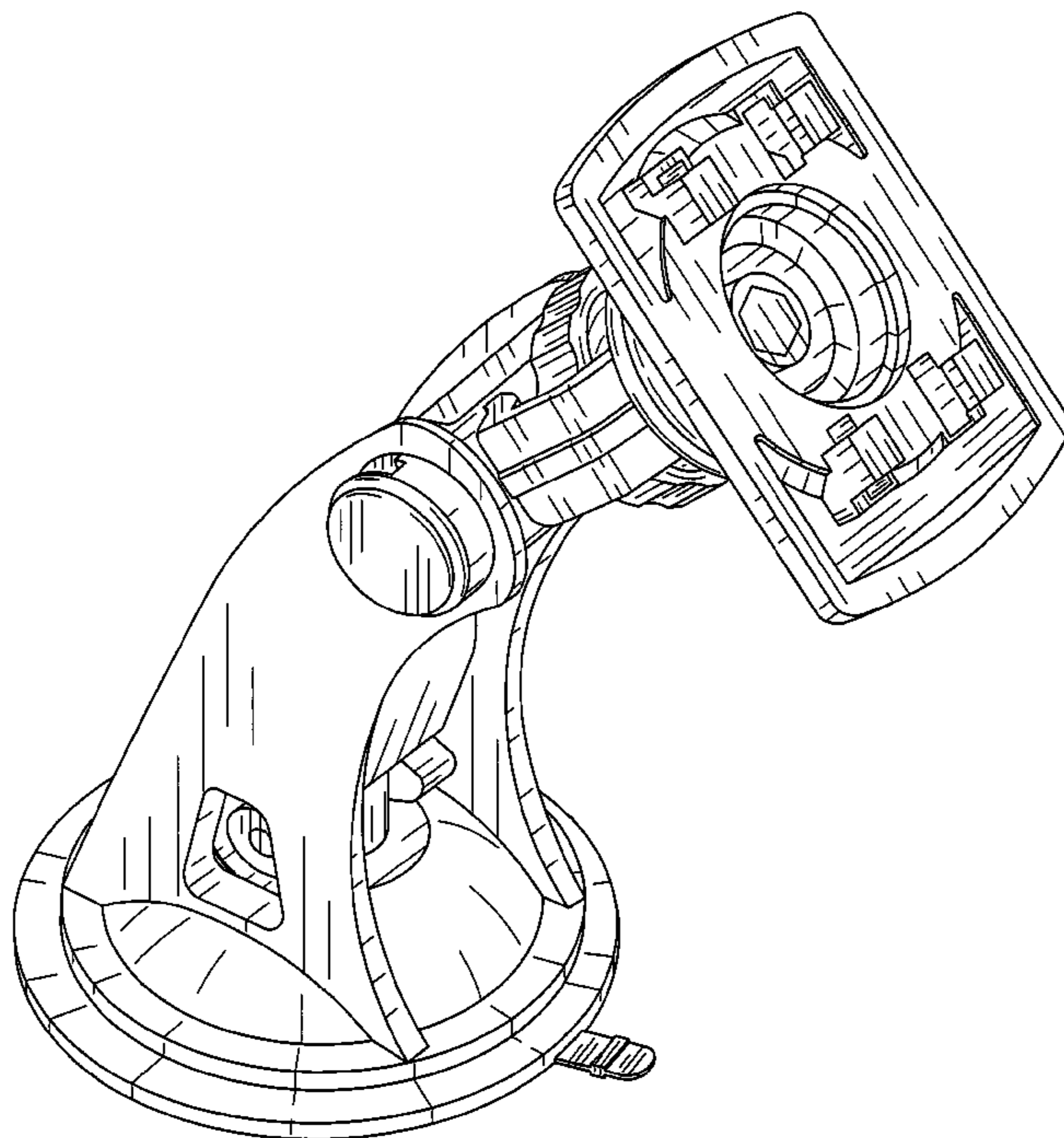
The ornamental design for a suction cup apparatus holder, as shown and described.

**DESCRIPTION**

FIG. 1 is a perspective view of a suction cup apparatus holder; FIG. 2 is a rear view of the suction cup apparatus holder shown in FIG. 1, FIG. 3 is a right side view of the suction cup apparatus holder shown in FIG. 2, FIG. 4 is a front view of the suction cup apparatus holder shown in FIG. 2, FIG. 5 is a left side view of the suction cup apparatus holder shown in FIG. 2, FIG. 6 is a top view of the suction cup apparatus holder shown in FIG. 2; and, FIG. 7 is a bottom view of the suction cup apparatus holder shown in FIG. 2.

The suction cup apparatus holder is used for supporting an apparatus holder on a flat smooth surface for holding an adapter engaging an apparatus such as a cellular phone or a GPS for example, or an apparatus directly if it is designed to be directly engaged by the retaining structure on the apparatus holders support surface.

**1 Claim, 7 Drawing Sheets**



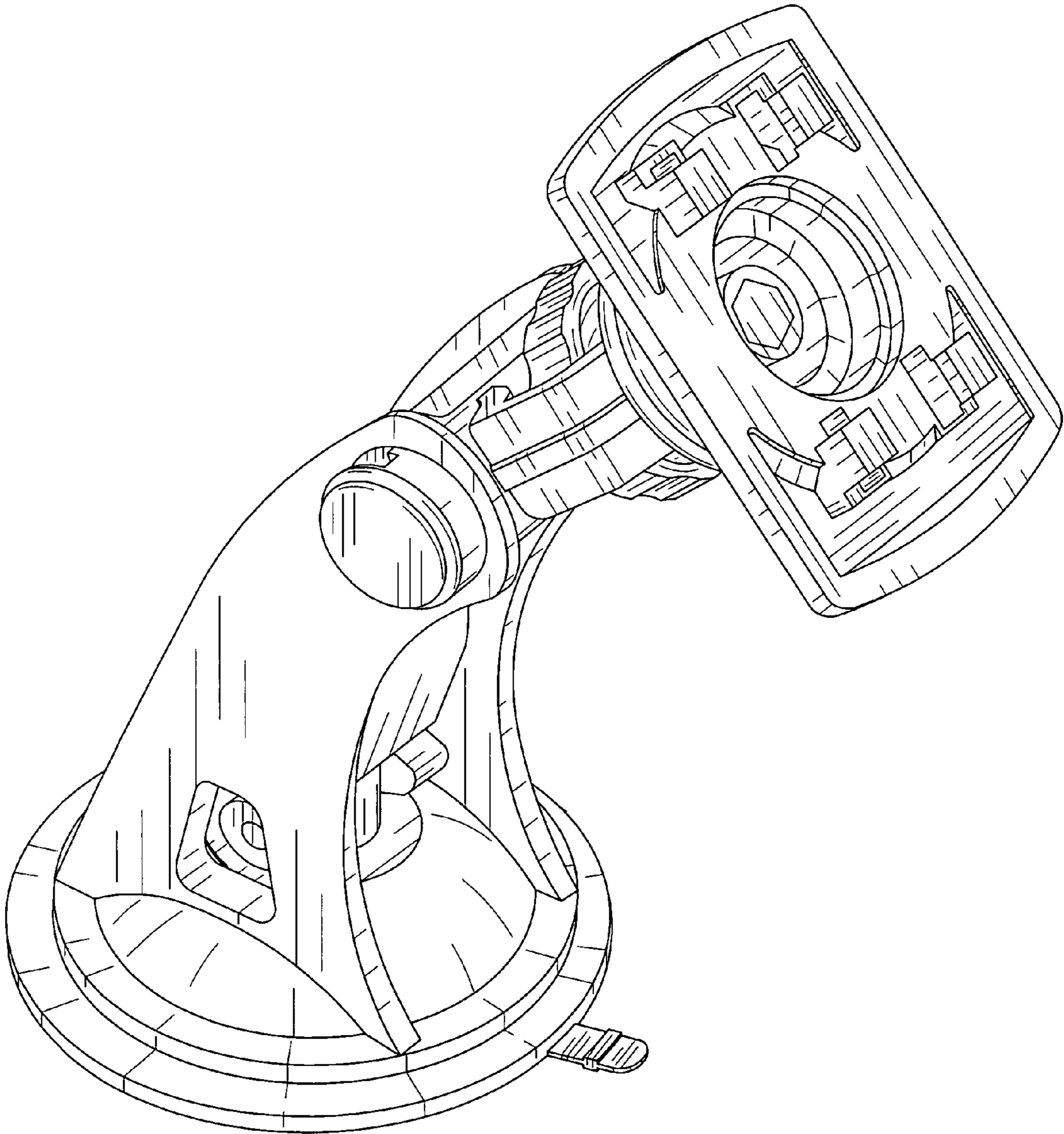


FIG.1

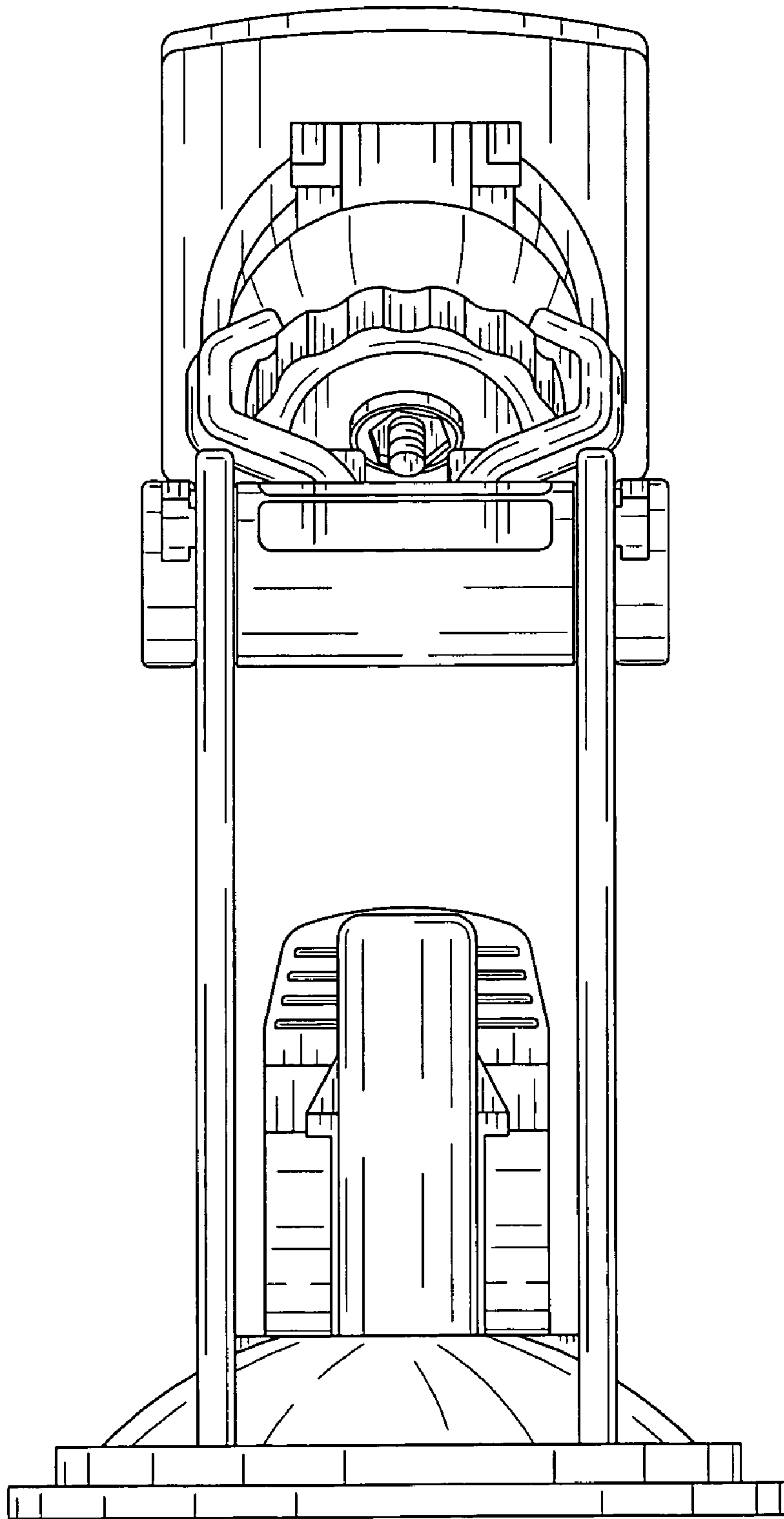


FIG. 2

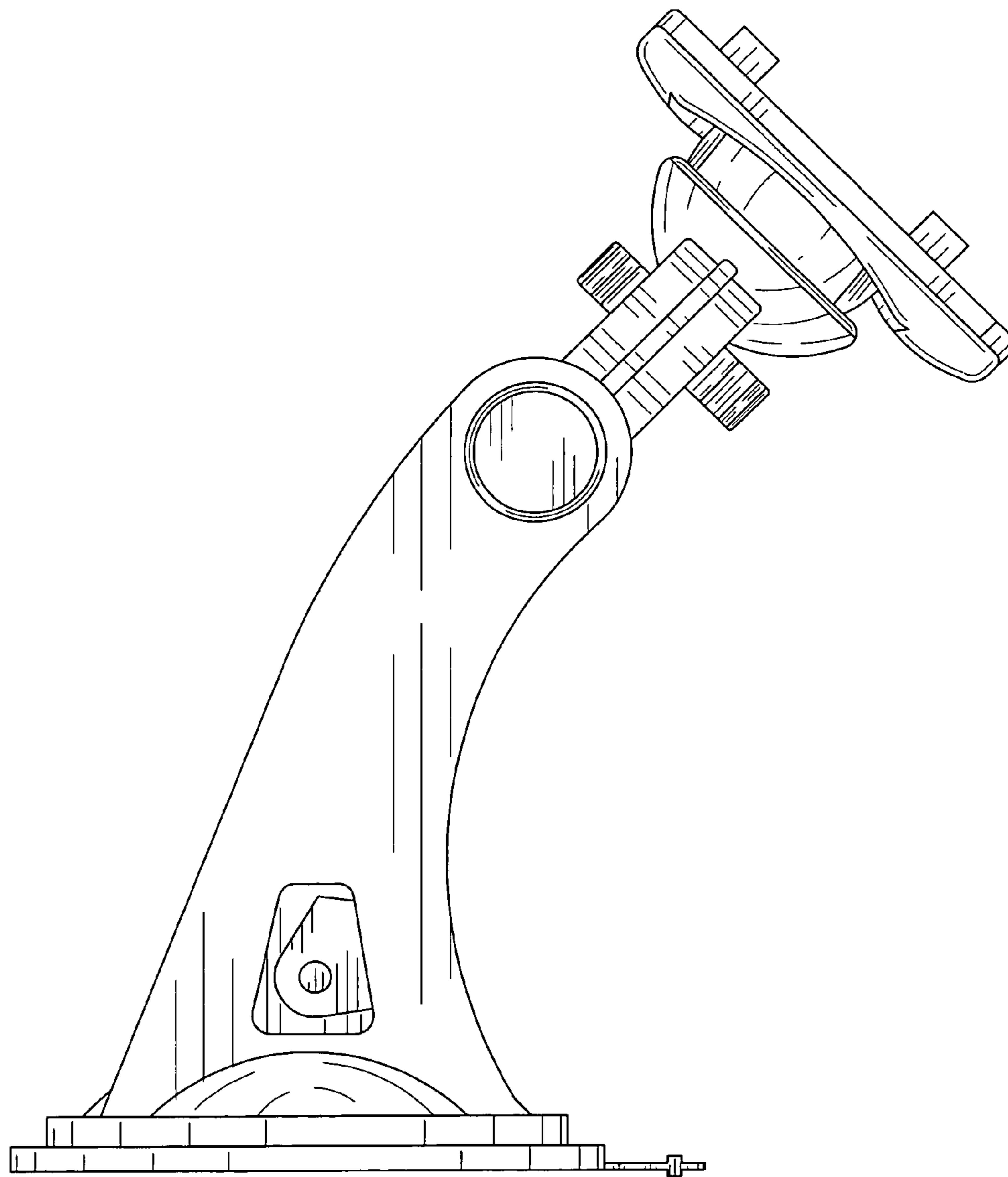


FIG. 3

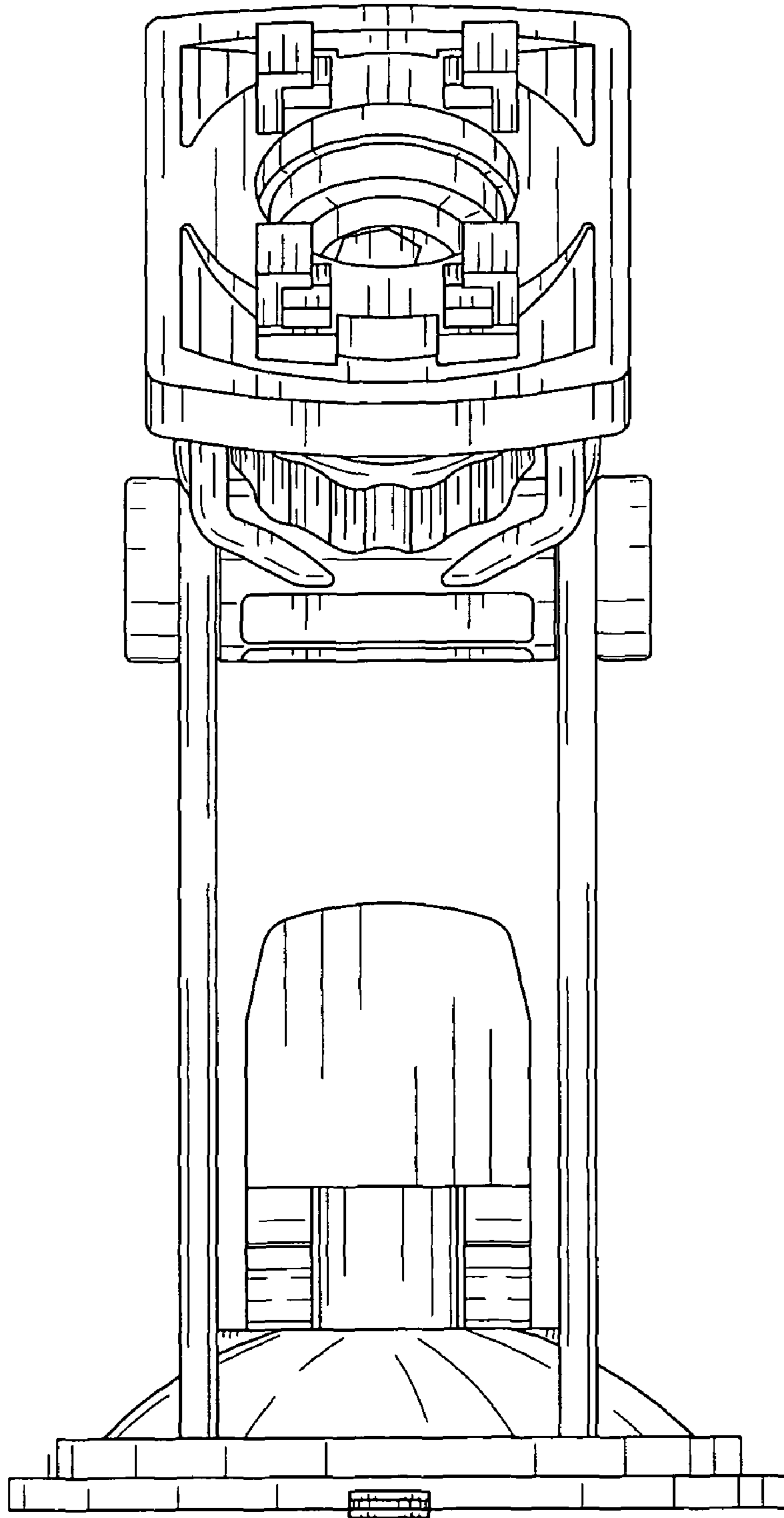


FIG. 4

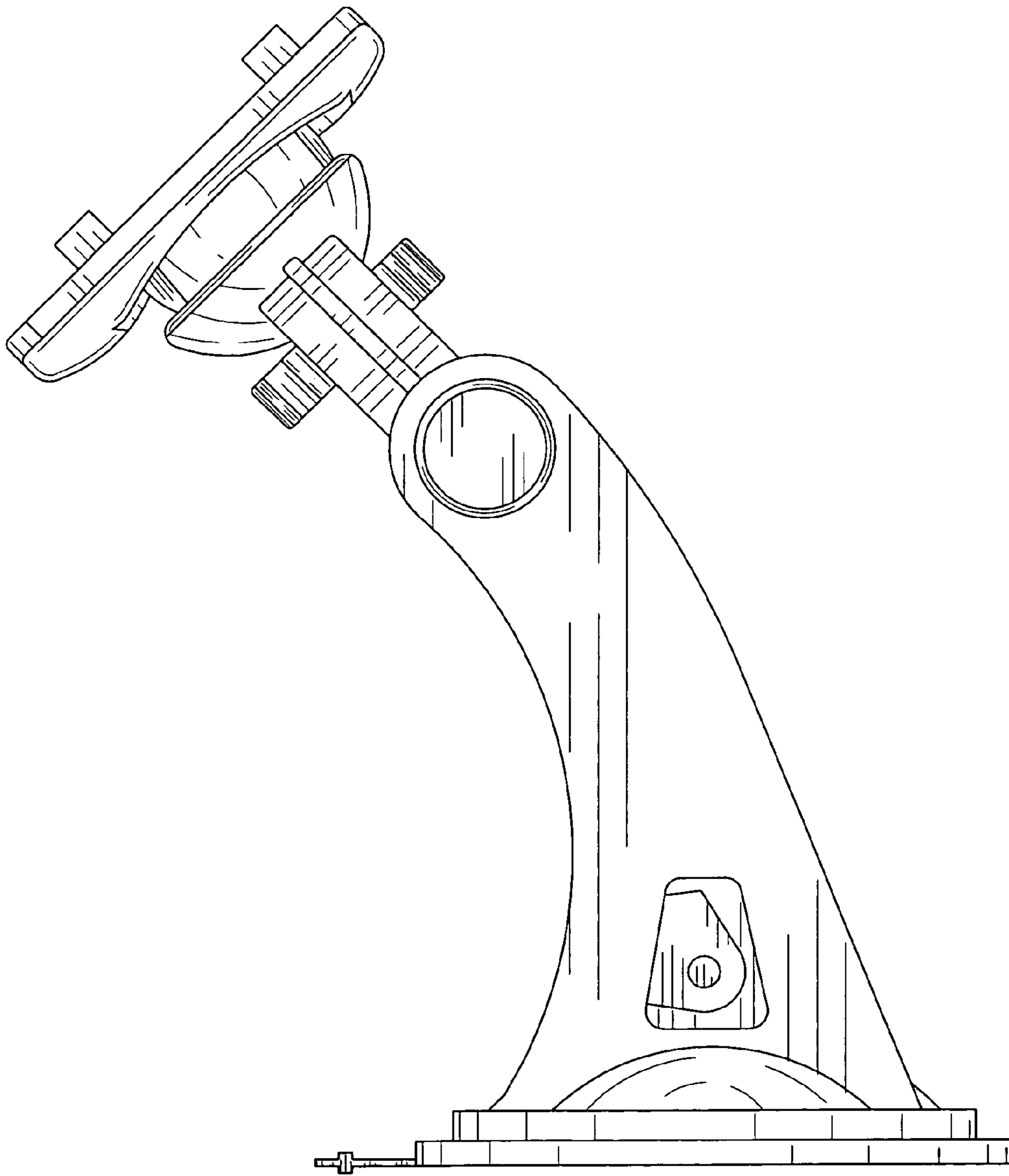


FIG. 5

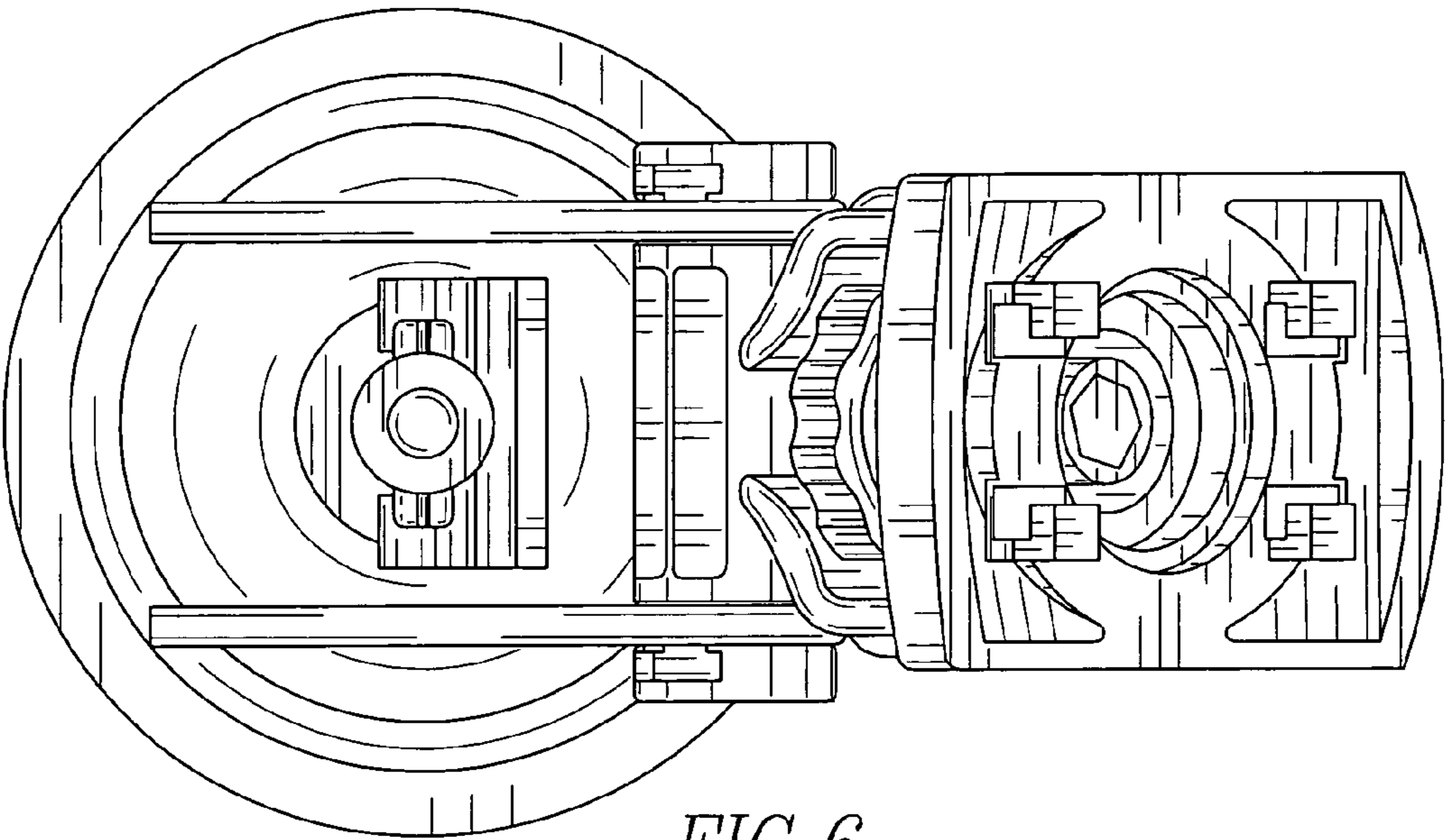


FIG. 6

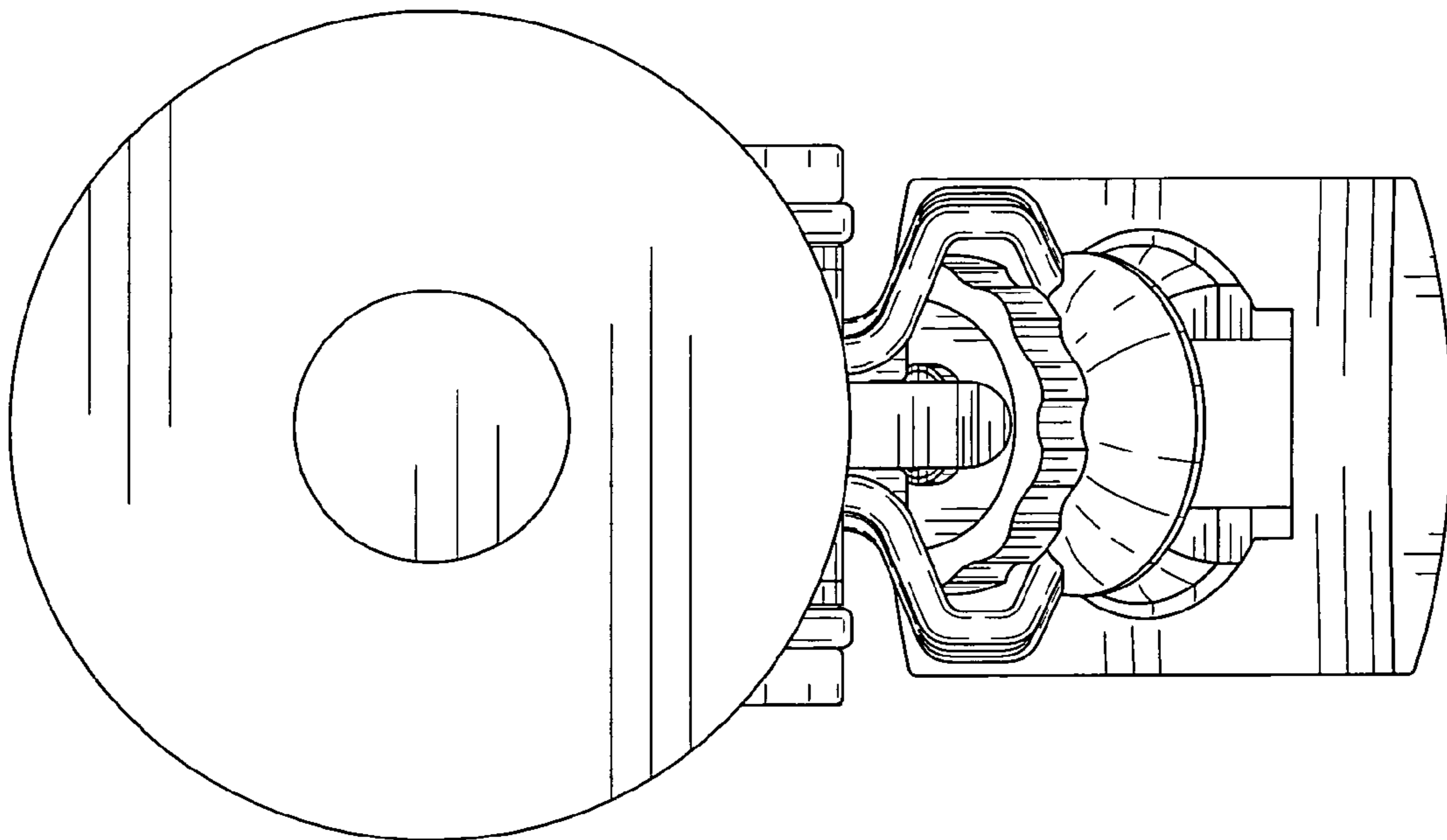


FIG. 7