



US00D655282S

(12) **United States Design Patent**  
**Richter**

(10) **Patent No.:** **US D655,282 S**  
(45) **Date of Patent:** **\*\* Mar. 6, 2012**

(54) **SUCTION CUP APPARATUS HOLDER**

(76) Inventor: **Harald Richter**, Engelbrand (DE)

(\*\*) Term: **14 Years**

(21) Appl. No.: **29/370,775**

(22) Filed: **Sep. 3, 2010**

(51) **LOC (9) Cl.** ..... **14-03**

(52) **U.S. Cl.** ..... **D14/253**

(58) **Field of Classification Search** ..... D14/140,  
D14/217, 224, 224.1, 229, 240, 243, 250-253,  
D14/299, 344, 434, 447, 451-452, 483, 496;  
D13/108; 361/679.41; 439/534; 320/115,  
320/116, 107; D8/355, 363; D12/415, 418;  
379/449, 455, 165; 248/122.1, 127, 157,  
248/205.8, 206.2, 279.1, 205.5, 309.1, 309.3,  
248/352; D3/201, 218, 269, 273, 301; D11/79;  
63/26

See application file for complete search history.

(56) **References Cited**

**U.S. PATENT DOCUMENTS**

D406,591 S *	3/1999	Richter	.....	D14/253
D533,054 S *	12/2006	Brassard	.....	D8/373
D602,025 S *	10/2009	Richter	.....	D14/447
D606,065 S *	12/2009	Rihu	.....	D14/253
D613,731 S *	4/2010	Yeo	.....	D14/253
D619,586 S *	7/2010	Richter	.....	D14/447
D619,587 S *	7/2010	Richter	.....	D14/447
D626,541 S *	11/2010	Kim et al.	.....	D14/253
D627,624 S *	11/2010	Brassard	.....	D8/363
D638,008 S *	5/2011	Richter	.....	D14/253
D640,247 S *	6/2011	Baumann et al.	.....	D14/253
D645,462 S *	9/2011	Choi	.....	D14/253

\* cited by examiner

*Primary Examiner* — Raphael Barkai  
*Assistant Examiner* — Randall Gholson  
(74) *Attorney, Agent, or Firm* — Klaus J. Bach

(57) **CLAIM**

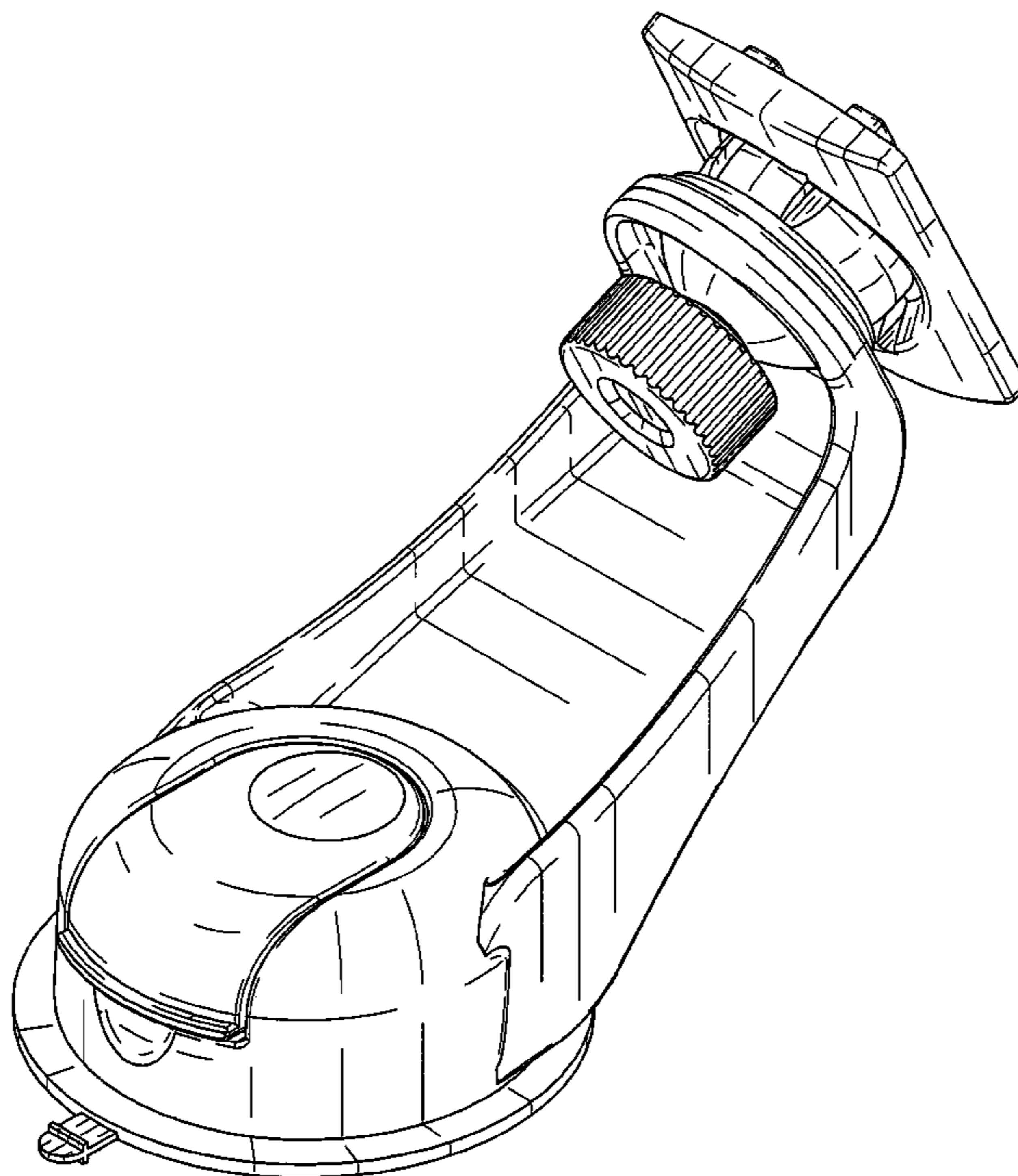
The ornamental design for a suction cup apparatus holder, as shown and described.

**DESCRIPTION**

FIG. 1 is a perspective view of a suction cup apparatus holder; FIG. 2 is a right side view of the suction cup apparatus holder shown in FIG. 1, FIG. 3 is a top view of the suction cup apparatus holder shown in FIG. 2, FIG. 4 is a left end view of the suction cup apparatus holder shown in FIG. 2, FIG. 5 is a right end view of the suction cup apparatus holder shown in FIG. 2, FIG. 6 is a bottom view of the suction cup apparatus holder shown in FIG. 2; and, FIG. 7 is a rear side view of the suction cup apparatus holder shown in FIG. 2.

The suction cup apparatus holder is used for supporting an apparatus holder on flat smooth surface for holding an adapter engaging an apparatus such as a cellular phone or a GPS for example, or an apparatus directly if it is designed to be directly engaged by the retaining structure on the apparatus holders support surface.

**1 Claim, 7 Drawing Sheets**



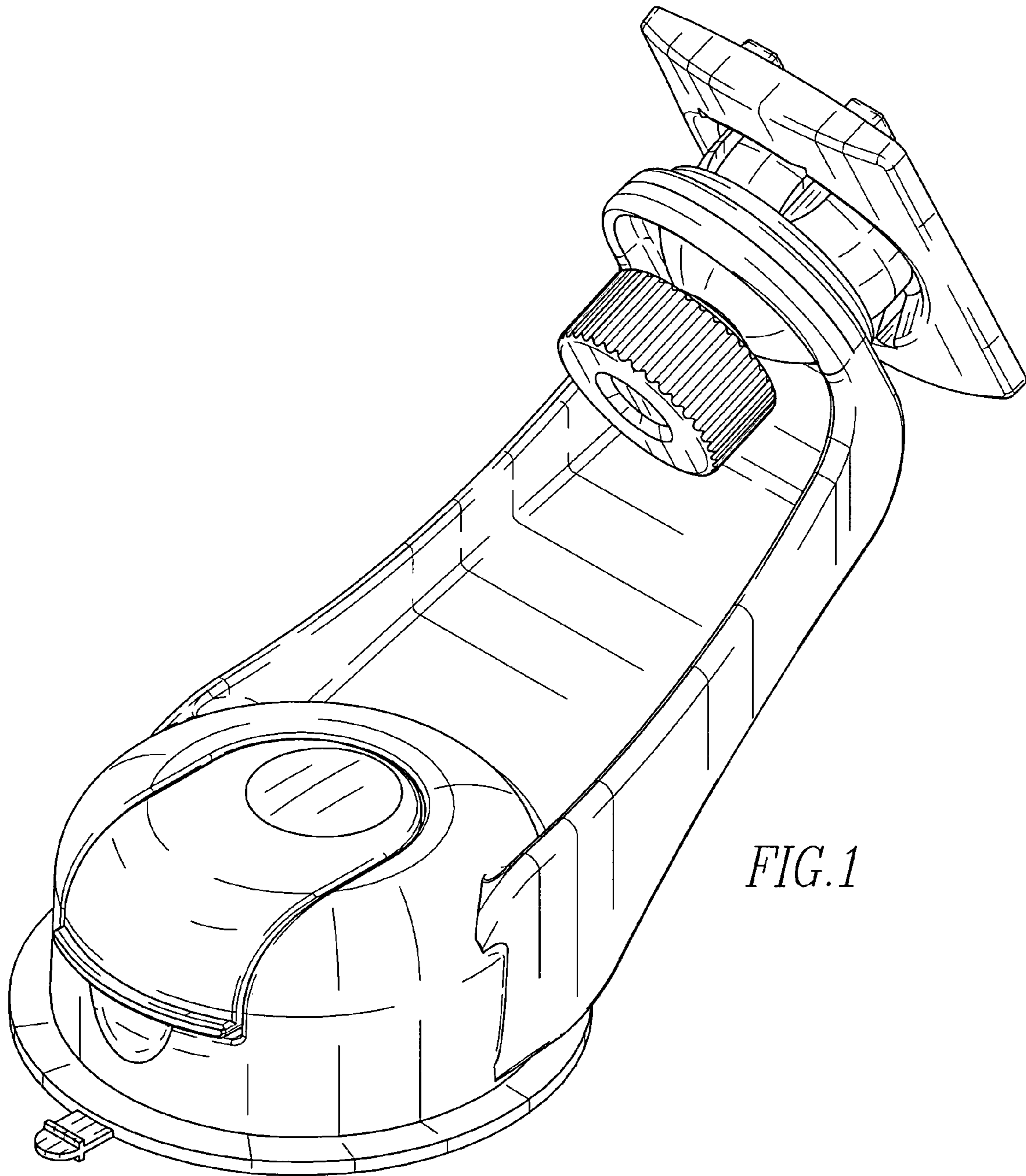


FIG. 1

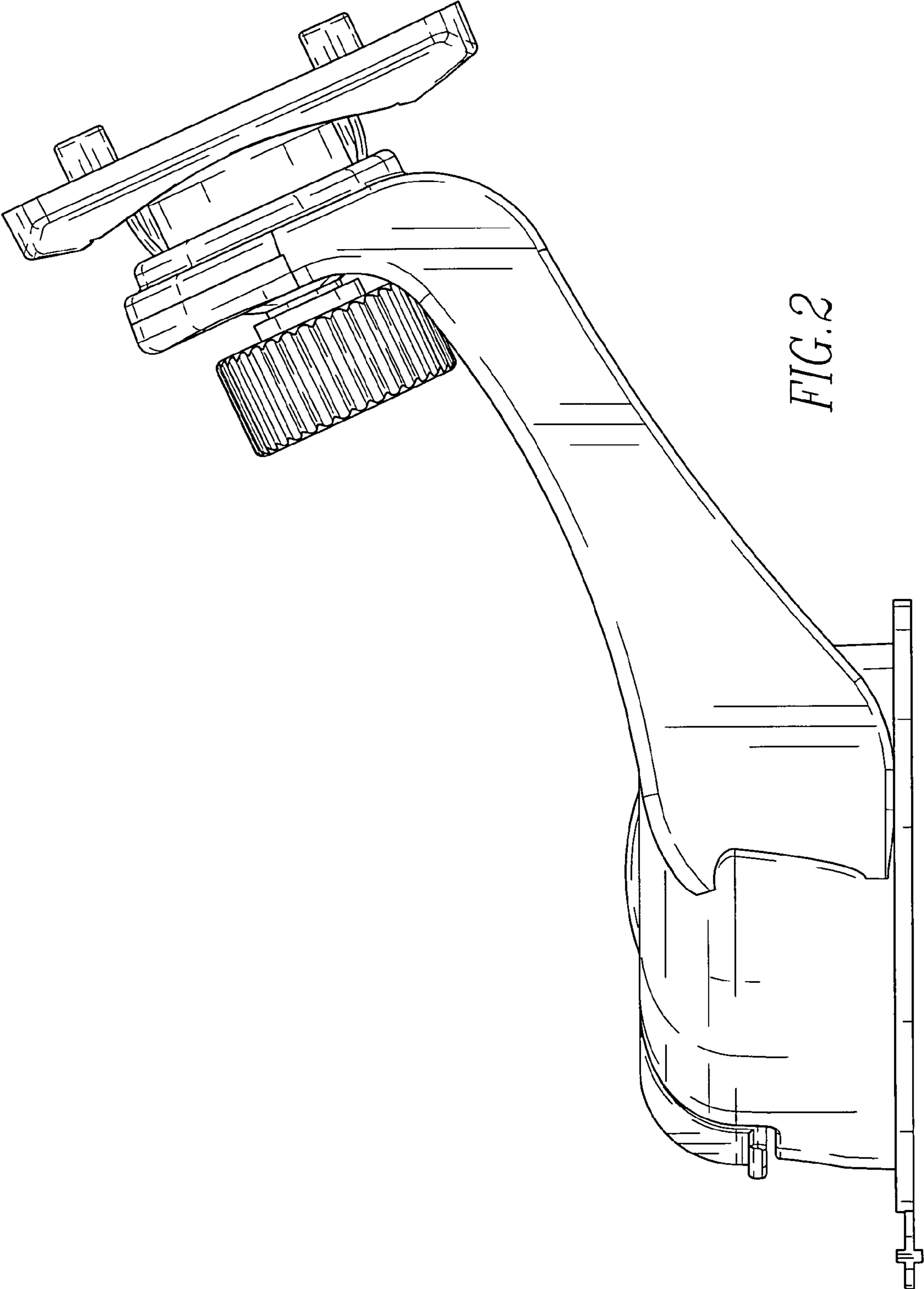


FIG. 2

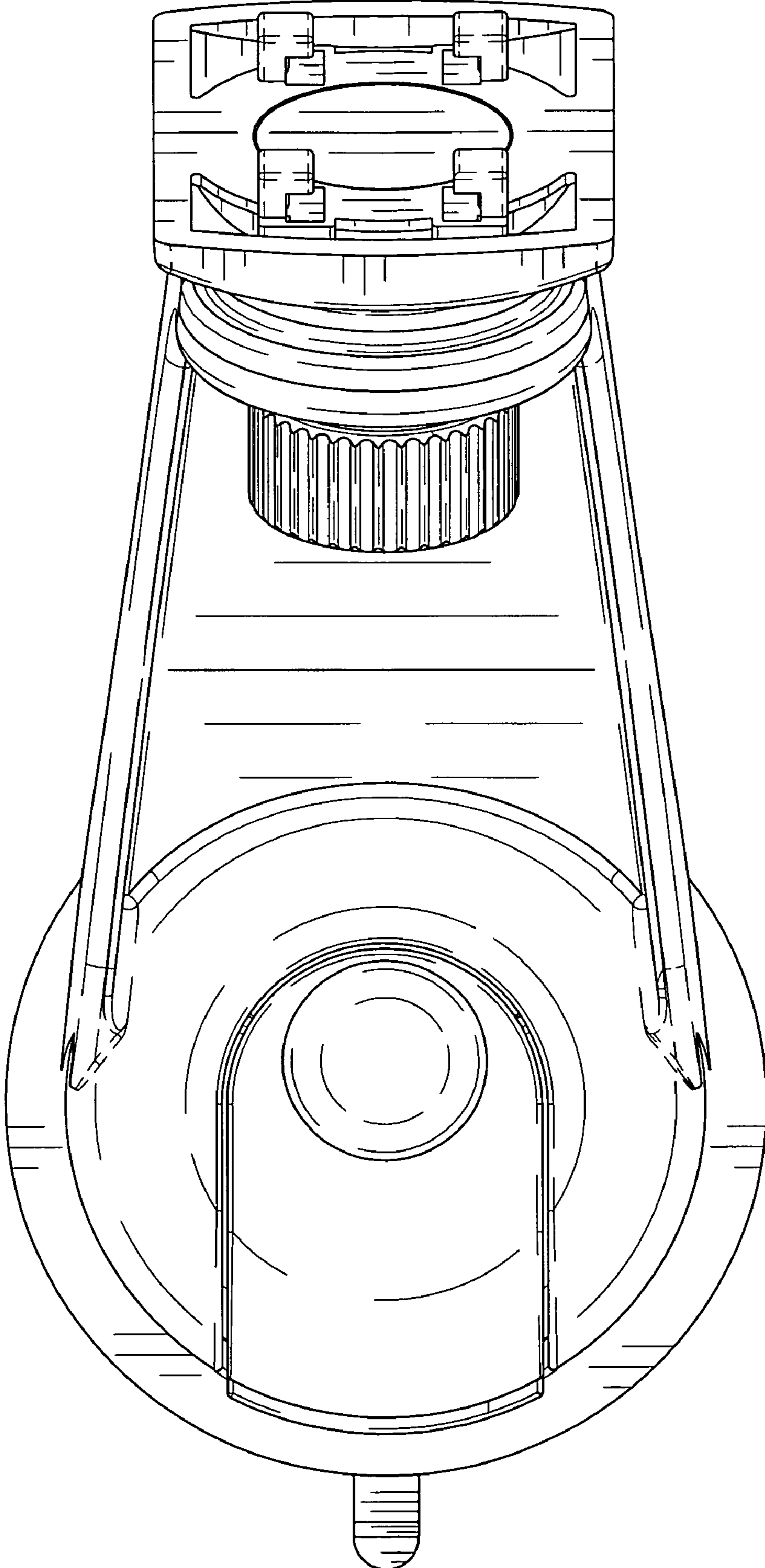


FIG. 3

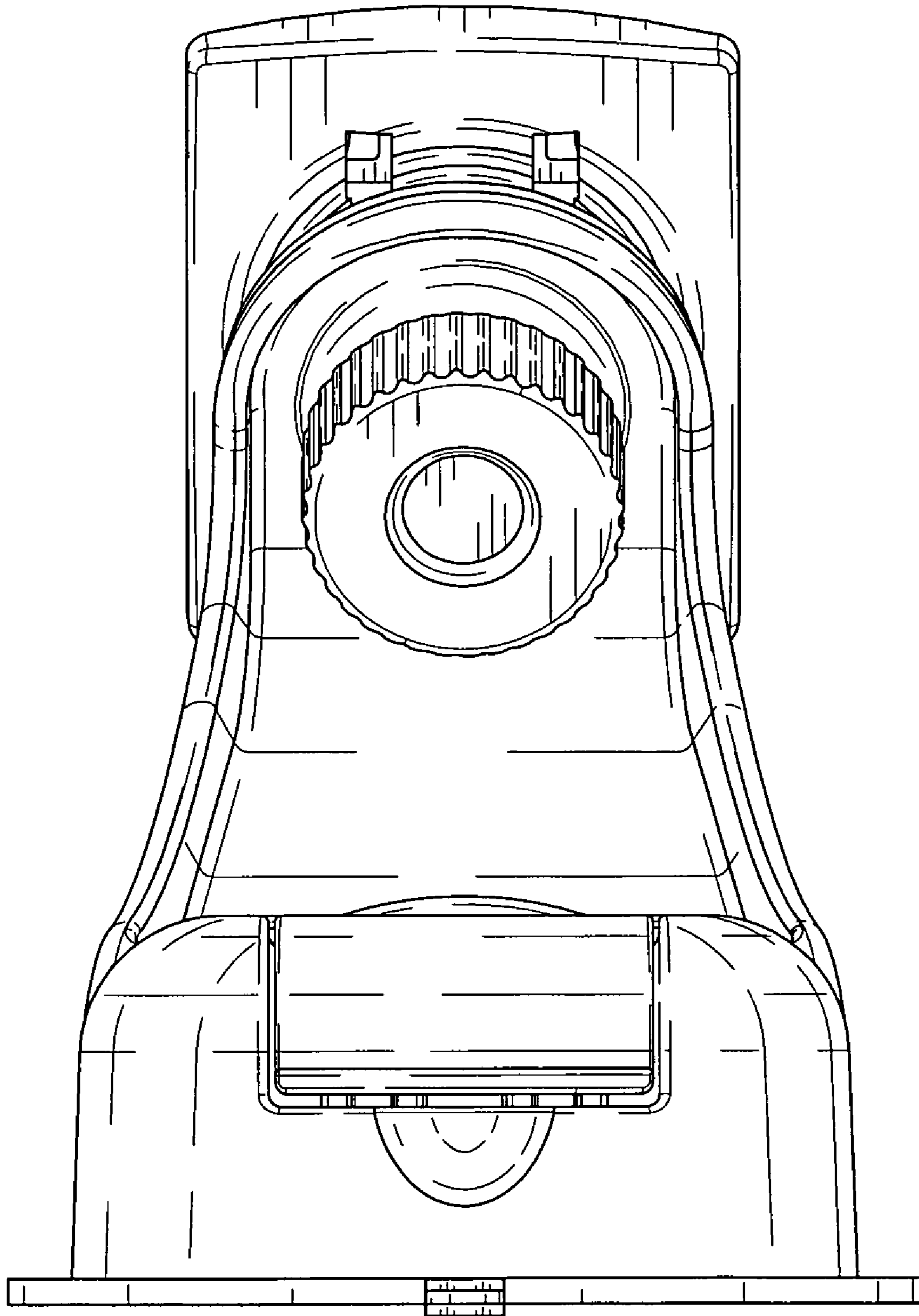
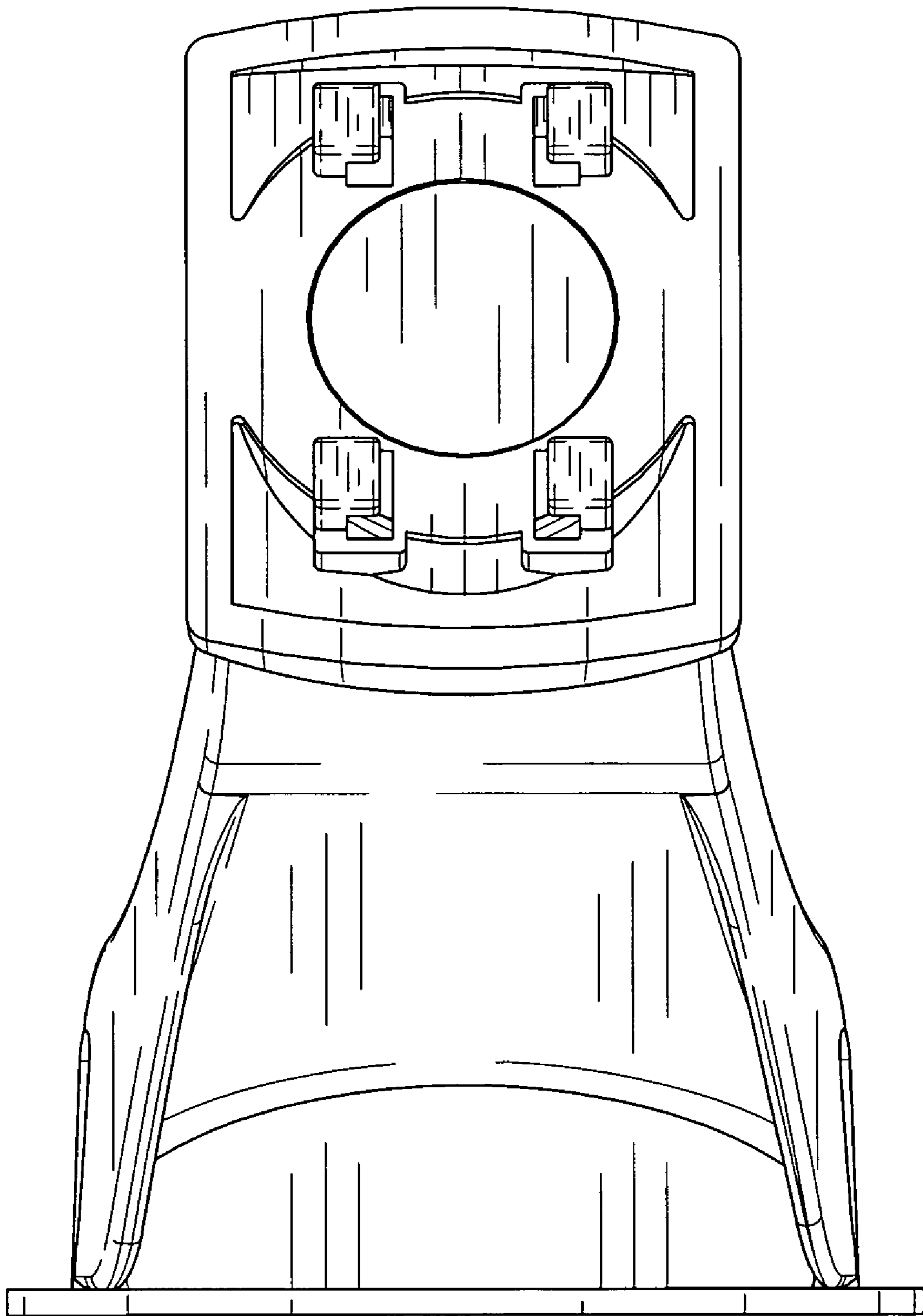


FIG. 4



*FIG. 5*

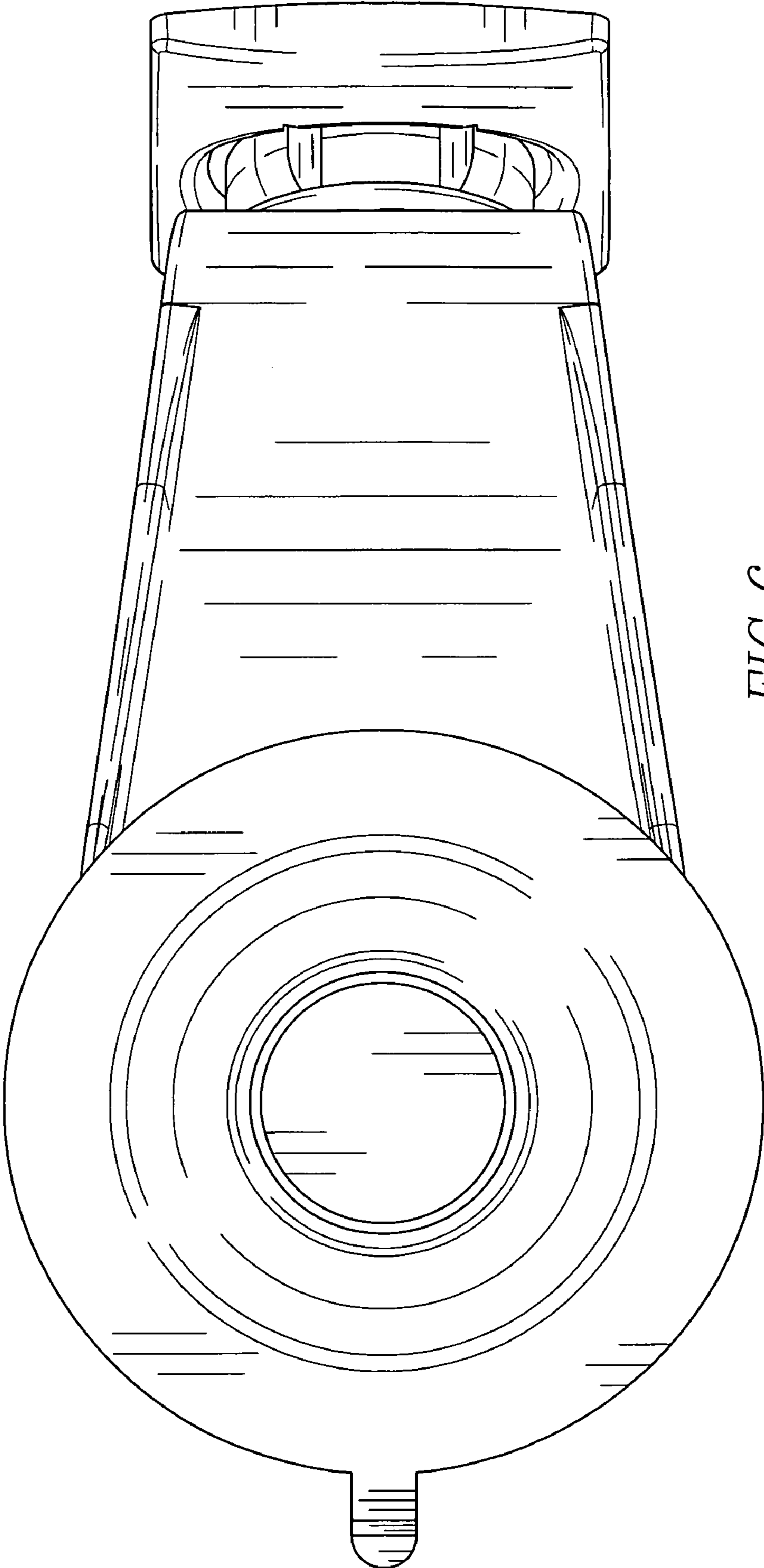


FIG. 6

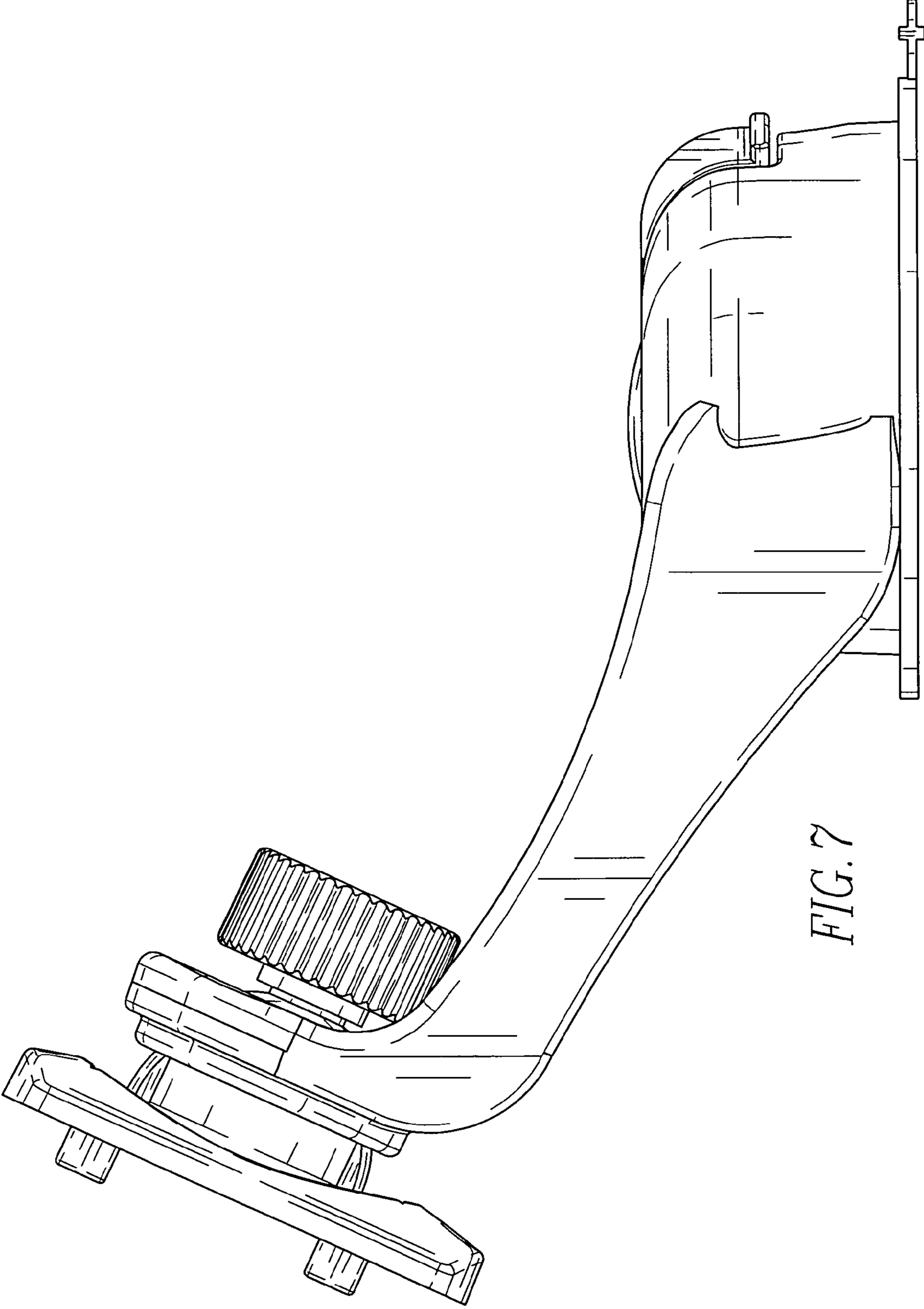


FIG. 7