



US00D655277S

(12) **United States Design Patent**
Wai

(10) **Patent No.:** **US D655,277 S**
(45) **Date of Patent:** **** Mar. 6, 2012**

(54) **AUDIO HEADSET**

(75) Inventor: **King Sun Wai**, Kowloon (HK)

(73) Assignee: **Angel Sales, Inc.**, Chicago, IL (US)

(**) Term: **14 Years**

(21) Appl. No.: **29/369,768**

(22) Filed: **Sep. 13, 2010**

(51) **LOC (9) Cl.** **14-01**

(52) **U.S. Cl.** **D14/223**

(58) **Field of Classification Search** D14/205,
D14/206, 223, 218, 240; D13/168; D10/46,
D10/60, 81, 104; 181/129, 130, 135; 381/380,
381/381; 379/430, 431, 433.01; D3/207;
24/3.13; D24/174; 455/90.3, 569.1, 575.1
See application file for complete search history.

D457,513 S 5/2002 Pirelli et al.
D462,689 S 9/2002 Moran
D463,787 S 10/2002 Beraut et al.
D465,784 S 11/2002 Lin
D469,770 S 2/2003 Carpenter et al.
D470,833 S 2/2003 Rath et al.
D473,217 S 4/2003 Rivera
D475,996 S 6/2003 Skulley
D478,893 S 8/2003 Corander

(Continued)

OTHER PUBLICATIONS

“Loud ‘N Clear” IdeaVillage Products Corp., accessed from <http://getloudandclear.com> (Copyright 2008).

(Continued)

Primary Examiner — Paula Greene

(74) *Attorney, Agent, or Firm* — Michael Best & Friedrich LLP

(56) **References Cited**

U.S. PATENT DOCUMENTS

D238,560 S 1/1976 Aupperle
D254,725 S 4/1980 Rawson et al.
4,745,661 A 5/1988 Wainscott
D354,489 S * 1/1995 Patton et al. D14/218
D373,567 S 9/1996 Rak et al.
D385,540 S 10/1997 Taylor
D385,541 S 10/1997 Taylor
D389,806 S 1/1998 Nielsen
D394,436 S 5/1998 Hall et al.
D395,312 S * 6/1998 Parsadayan et al. D14/218
D409,999 S * 5/1999 Nuovo et al. D14/138 R
D411,175 S 6/1999 Doren et al.
D419,677 S 1/2000 McKimm
D440,205 S 4/2001 Lord
D441,185 S 5/2001 Shimizu et al.
D441,524 S 5/2001 Shimizu et al.
D443,859 S 6/2001 Hogan
D453,503 S 2/2002 Fitzsimmons et al.
D453,753 S 2/2002 Ahn

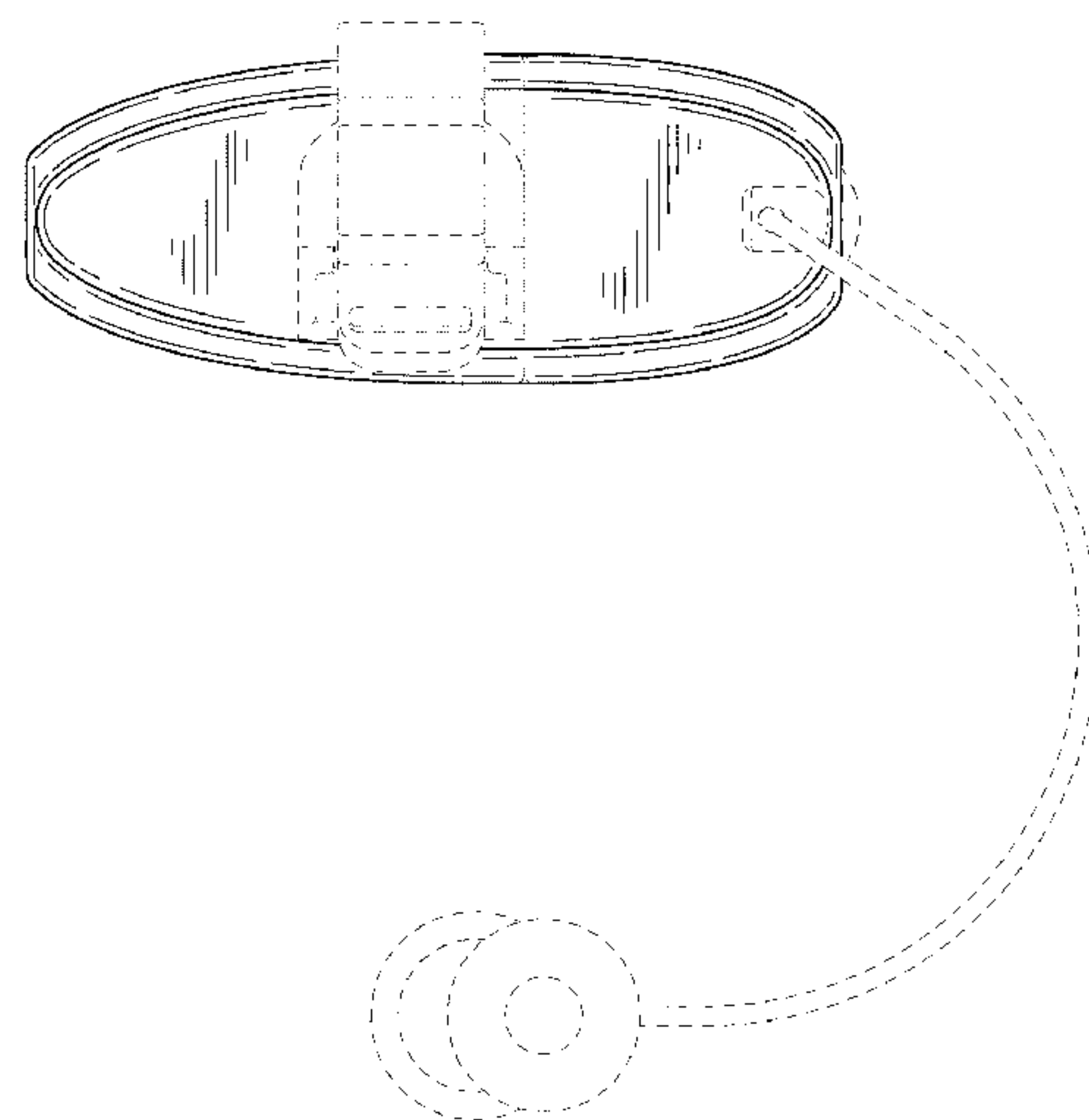
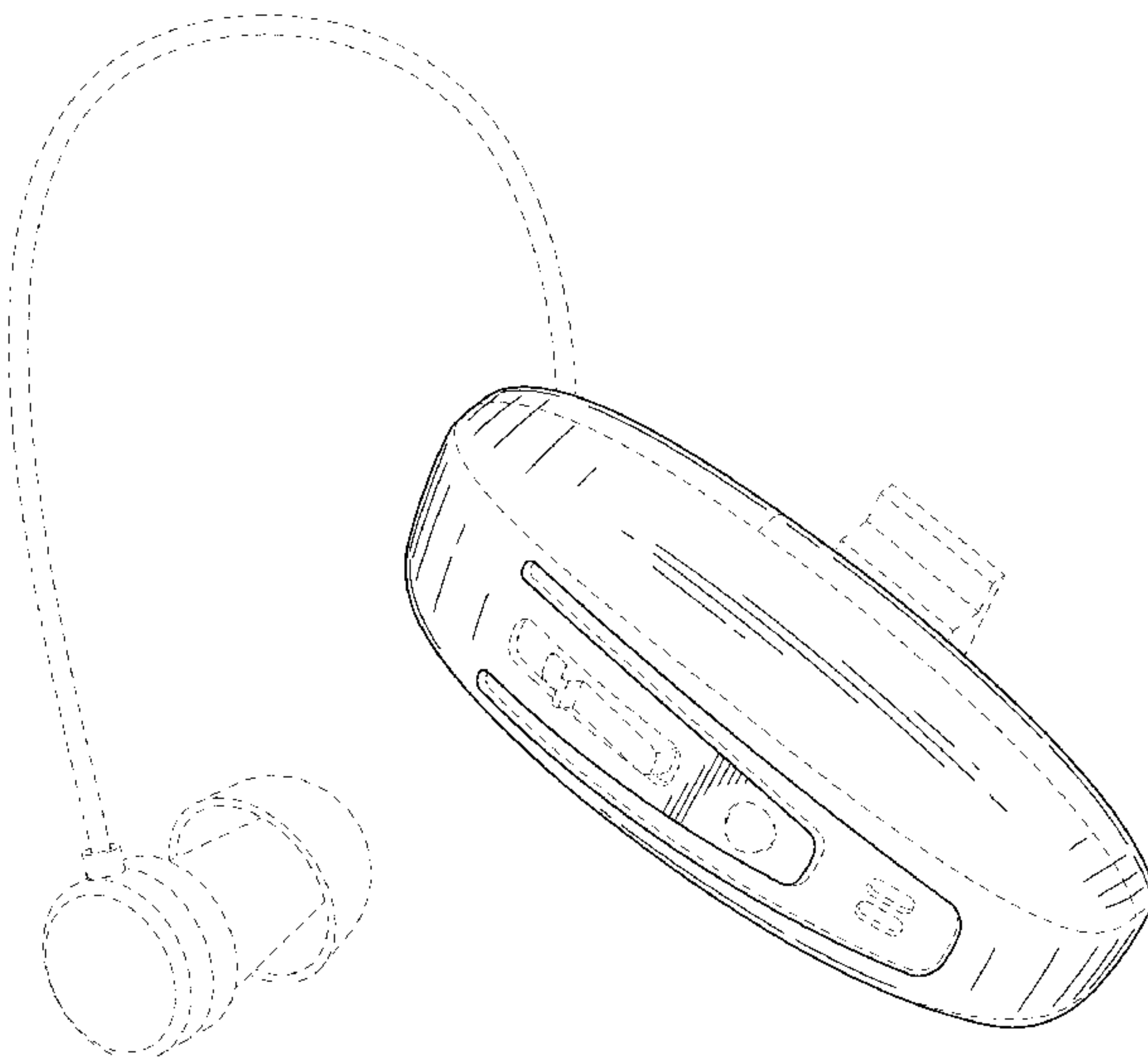
(57) **CLAIM**

I claim the ornamental design for an audio headset, as shown and described.

DESCRIPTION

FIG. 1 is a perspective view an audio headset.
FIG. 2 is a front view of the audio headset shown in FIG. 1.
FIG. 3 is a rear view of the audio headset shown in FIG. 1.
FIG. 4 is a left side view of the audio headset shown in FIG. 1.
FIG. 5 is a right side view of the audio headset shown in FIG. 1.
FIG. 6 is a top view of the audio headset shown in FIG. 1; and,
FIG. 7 is a bottom view of the audio headset shown in FIG. 1.
The broken lines show portions of the audio headset that form no part of the claimed design.

1 Claim, 4 Drawing Sheets



US D655,277 S

Page 2

U.S. PATENT DOCUMENTS

D479,834 S 9/2003 Salazar et al.
D480,386 S 10/2003 Browne et al.
D480,389 S 10/2003 Schulz et al.
D486,478 S 2/2004 Swan et al.
D493,175 S 7/2004 Schmidt et al.
D494,570 S 8/2004 Ma
D494,571 S 8/2004 Polito
D497,357 S 10/2004 Allum et al.
D501,643 S 2/2005 Strand et al.
D502,171 S 2/2005 Tang et al.
D504,884 S 5/2005 Hering
D509,210 S 9/2005 Skulley et al.
D510,711 S 10/2005 Syme et al.
D516,032 S 2/2006 Suckle et al.
7,020,300 B1 3/2006 Villaverde
7,031,485 B2 4/2006 Webber et al.
D520,988 S 5/2006 Miller
D525,947 S 8/2006 Gerard et al.
D529,612 S 10/2006 Feeley et al.
D532,775 S 11/2006 Ikeda et al.
D537,780 S 3/2007 Suckle
D538,271 S * 3/2007 Kim et al. D14/223
D539,787 S * 4/2007 Kim et al. D14/223
D541,261 S 4/2007 Ikeda et al.
D542,281 S 5/2007 Mabry et al.
D543,937 S * 6/2007 Rose et al. D13/110
D545,813 S 7/2007 Ma
D551,626 S 9/2007 Ho et al.
D552,596 S 10/2007 Christopher
D554,626 S 11/2007 Christopher
D555,021 S 11/2007 Rounds et al.
D555,150 S 11/2007 Christopher et al.
D555,151 S 11/2007 Eklund
D557,419 S * 12/2007 Jurkiewicz D24/174
D559,836 S 1/2008 Lee

D560,617 S 1/2008 Poulet
D561,743 S 2/2008 Huang et al.
D562,310 S 2/2008 Moon et al.
D565,033 S 3/2008 Goransson
D568,301 S * 5/2008 Kim et al. D14/223
D568,810 S * 5/2008 Weinstein D13/110
D569,842 S 5/2008 Yang
D571,737 S 6/2008 Koury et al.
D575,277 S * 8/2008 Gaarde et al. D14/223
D576,896 S * 9/2008 Radle et al. D10/78
D581,396 S * 11/2008 Wikel et al. D14/206
D582,897 S * 12/2008 Christopher et al. D14/223
D582,899 S 12/2008 Wai
D584,292 S 1/2009 Knight
D586,301 S 2/2009 Corsini et al.
D586,793 S 2/2009 Lee et al.
D591,274 S 4/2009 Khubani
D595,698 S * 7/2009 Guccione et al. D14/223
D599,908 S 9/2009 Nielsen
D600,682 S 9/2009 Wai
D603,377 S * 11/2009 Chung D14/223
D605,770 S 12/2009 Bergstrom
D608,766 S 1/2010 Brickstad
D609,695 S * 2/2010 Cigliano et al. D14/205
D618,221 S * 6/2010 Fahrendorff et al. D14/223
D620,926 S * 8/2010 Wai et al. D14/223
D635,125 S * 3/2011 Nousiainen D14/223
D638,409 S * 5/2011 Walter D14/240
D640,241 S * 6/2011 Wai D14/223
D640,242 S * 6/2011 Fahrendorff et al. D14/223

OTHER PUBLICATIONS

“Silver Sonic XL” Bell + Howell, accessed from <http://www.silversonicxl.com> (Copyright 2008).

* cited by examiner

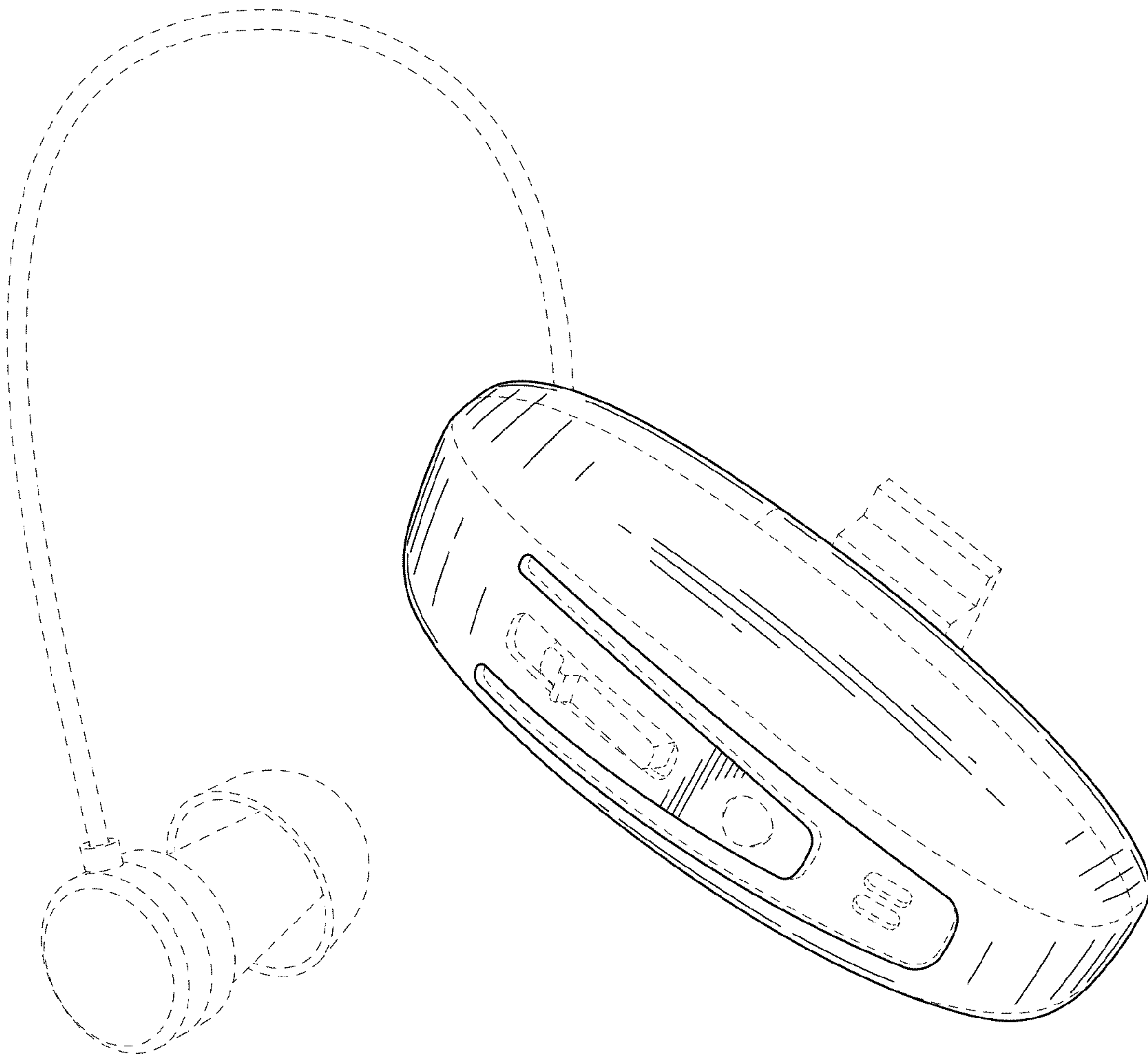


FIG. 1

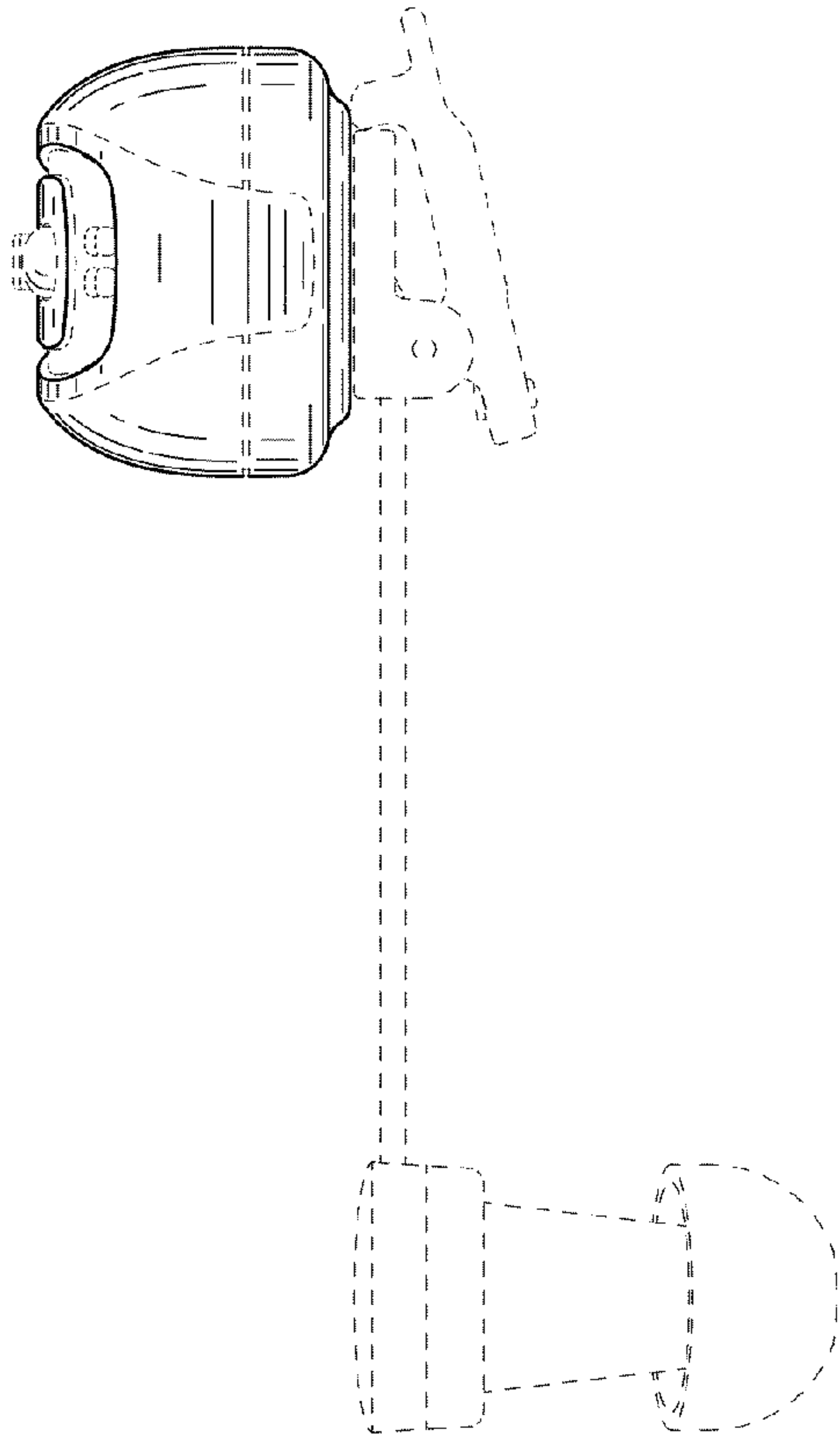


FIG. 4

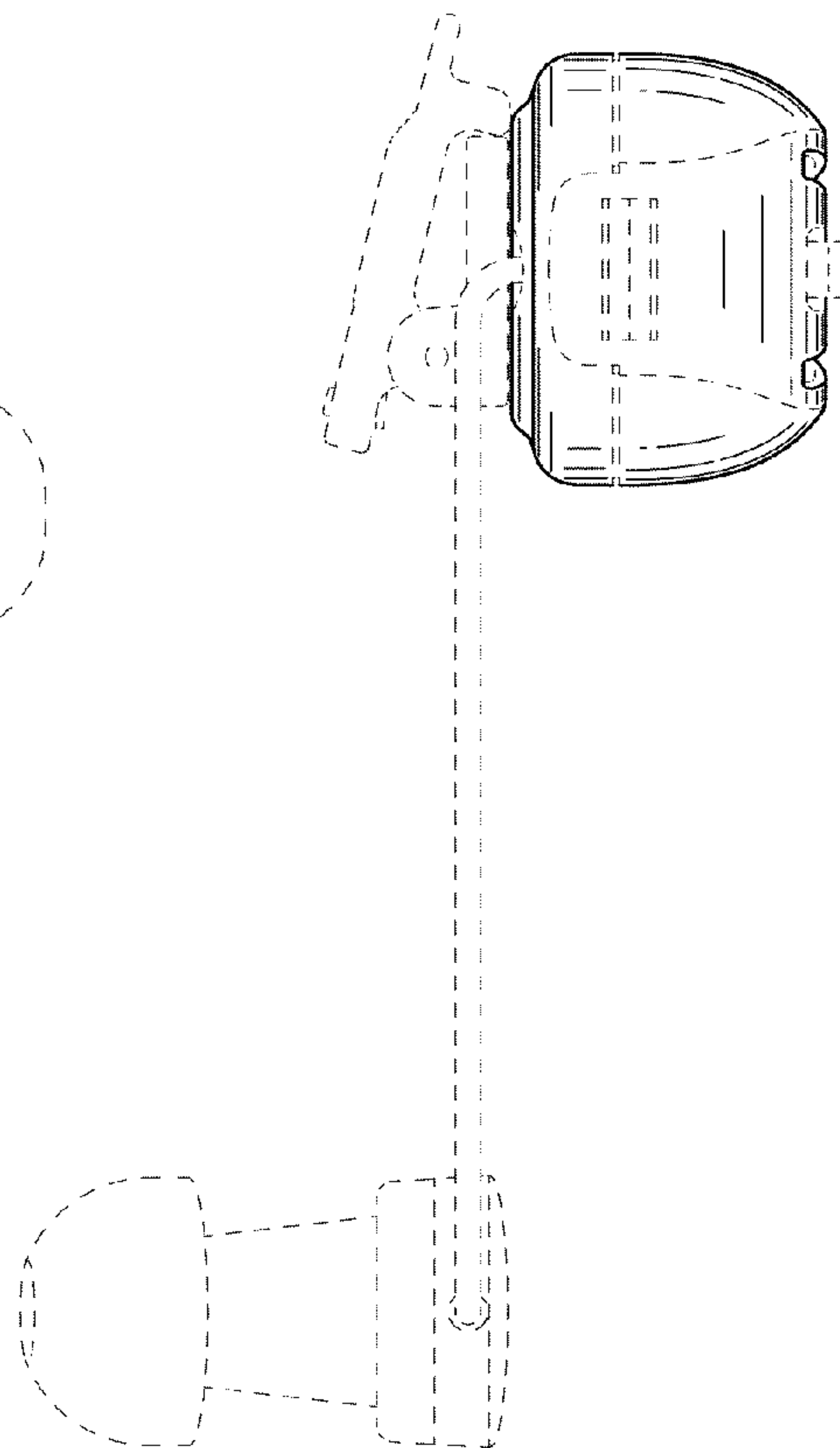


FIG. 5

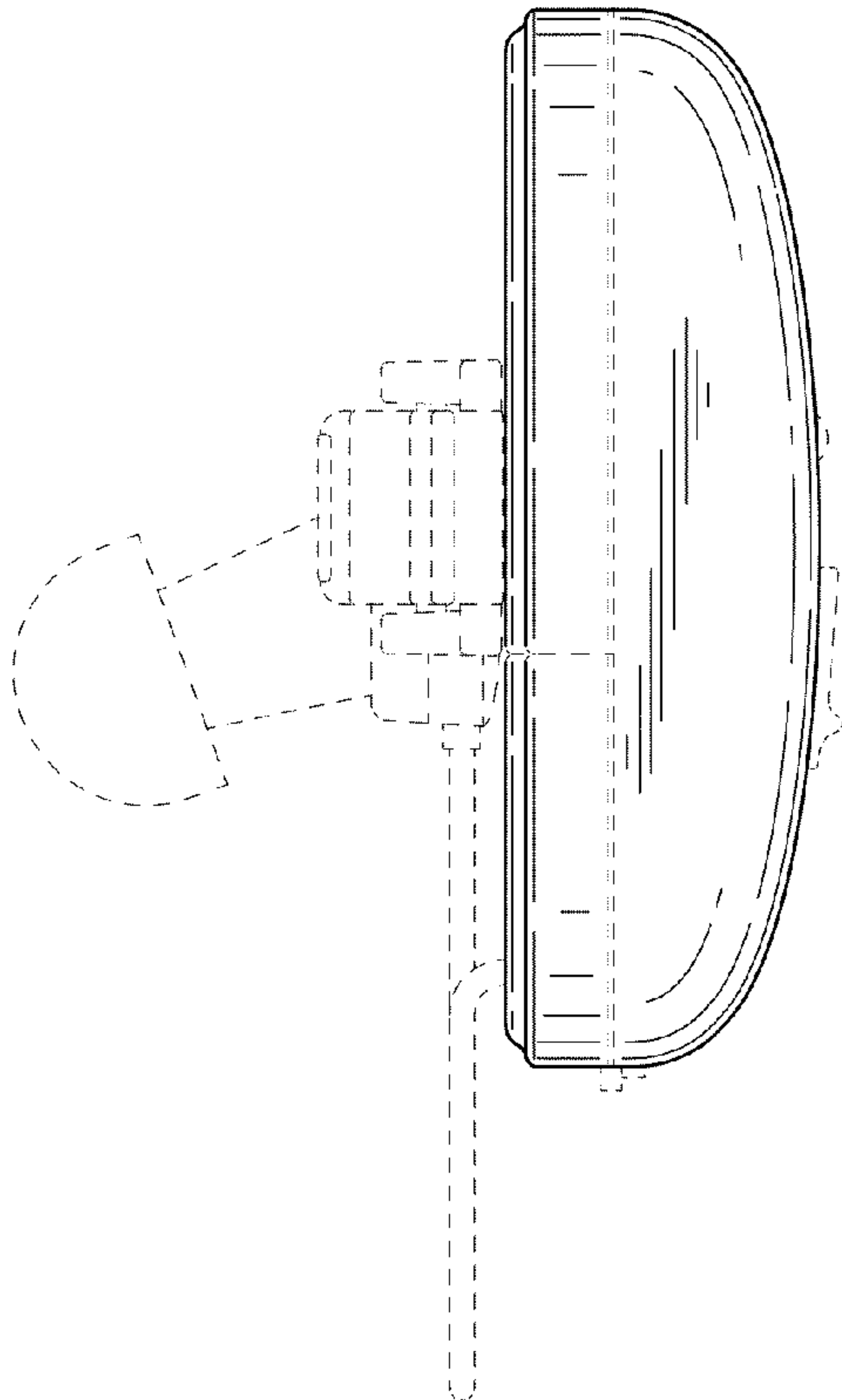


FIG. 6

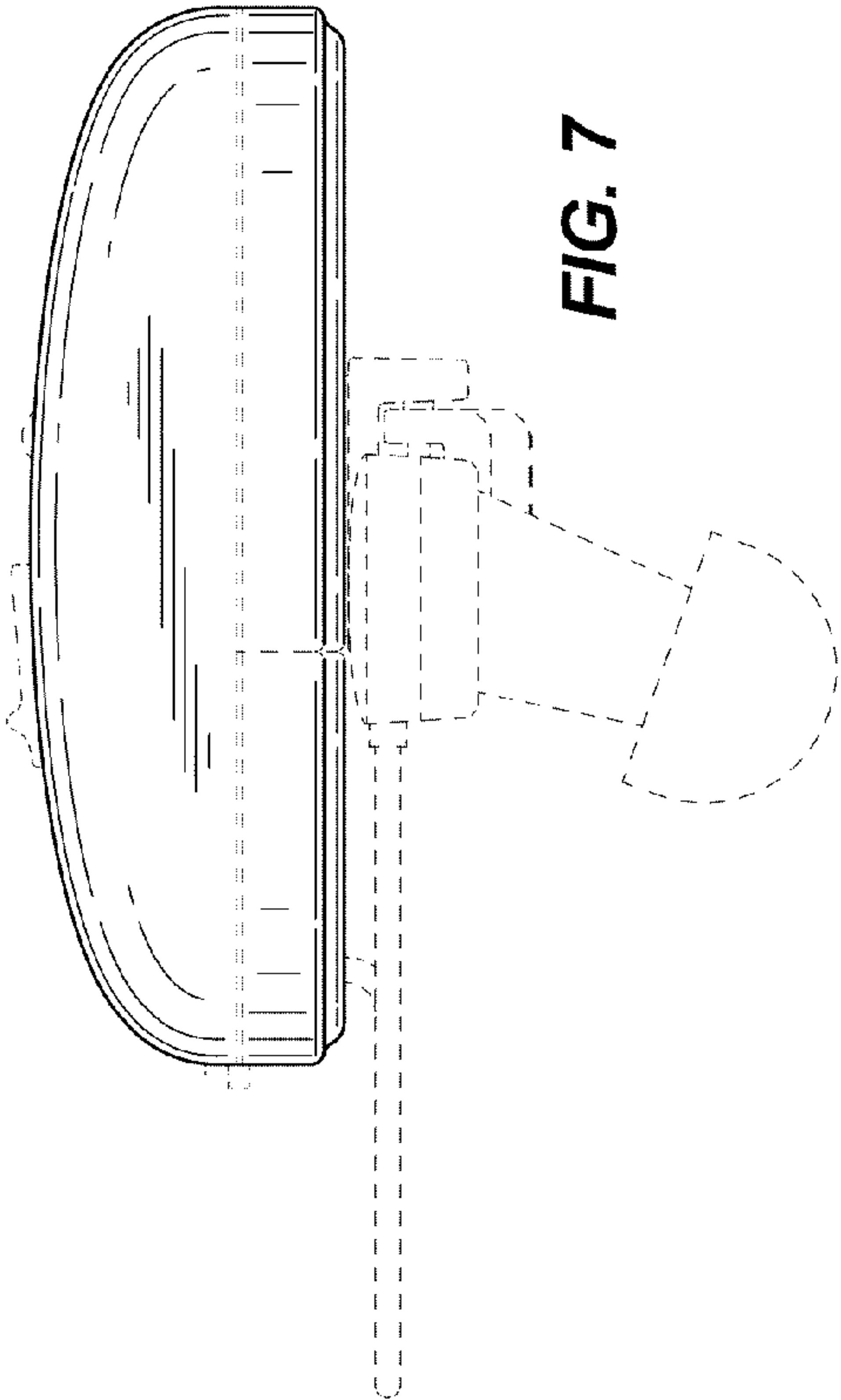


FIG. 7