



US00D655274S

(12) **United States Design Patent**
McManigal

(10) **Patent No.:** **US D655,274 S**

(45) **Date of Patent:** **** *Mar. 6, 2012**

(54) **SOUND BAR SPEAKER SYSTEM**

(75) Inventor: **Scott Paul McManigal**, Newport Beach, CA (US)

(73) Assignee: **Vizio Inc.**, Irvine, CA (US)

(*) Notice: This patent is subject to a terminal disclaimer.

(**) Term: **14 Years**

(21) Appl. No.: **29/381,163**

(22) Filed: **Dec. 16, 2010**

(51) **LOC (9) Cl.** **14-01**

(52) **U.S. Cl.** **D14/214**

(58) **Field of Classification Search** D14/204,
D14/210-216, 172; 181/143-144, 147-148,
181/150-153, 157, 198-199; 381/300-303,
381/306, 332-333, 336, 345, 361-364, 386-388;
D12/114

See application file for complete search history.

(56) **References Cited**

U.S. PATENT DOCUMENTS

D472,542 S * 4/2003 Oikawa D14/172
D520,494 S * 5/2006 Aiba et al. D14/214

D532,408 S * 11/2006 Kita D14/214
D540,310 S * 4/2007 Yuyama D14/214
D543,535 S * 5/2007 Hasegawa et al. D14/214
D573,133 S * 7/2008 Milks et al. D14/214

* cited by examiner

Primary Examiner — Nanda Bondade

(74) *Attorney, Agent, or Firm* — Law Office of Scott C. Harris, Inc.

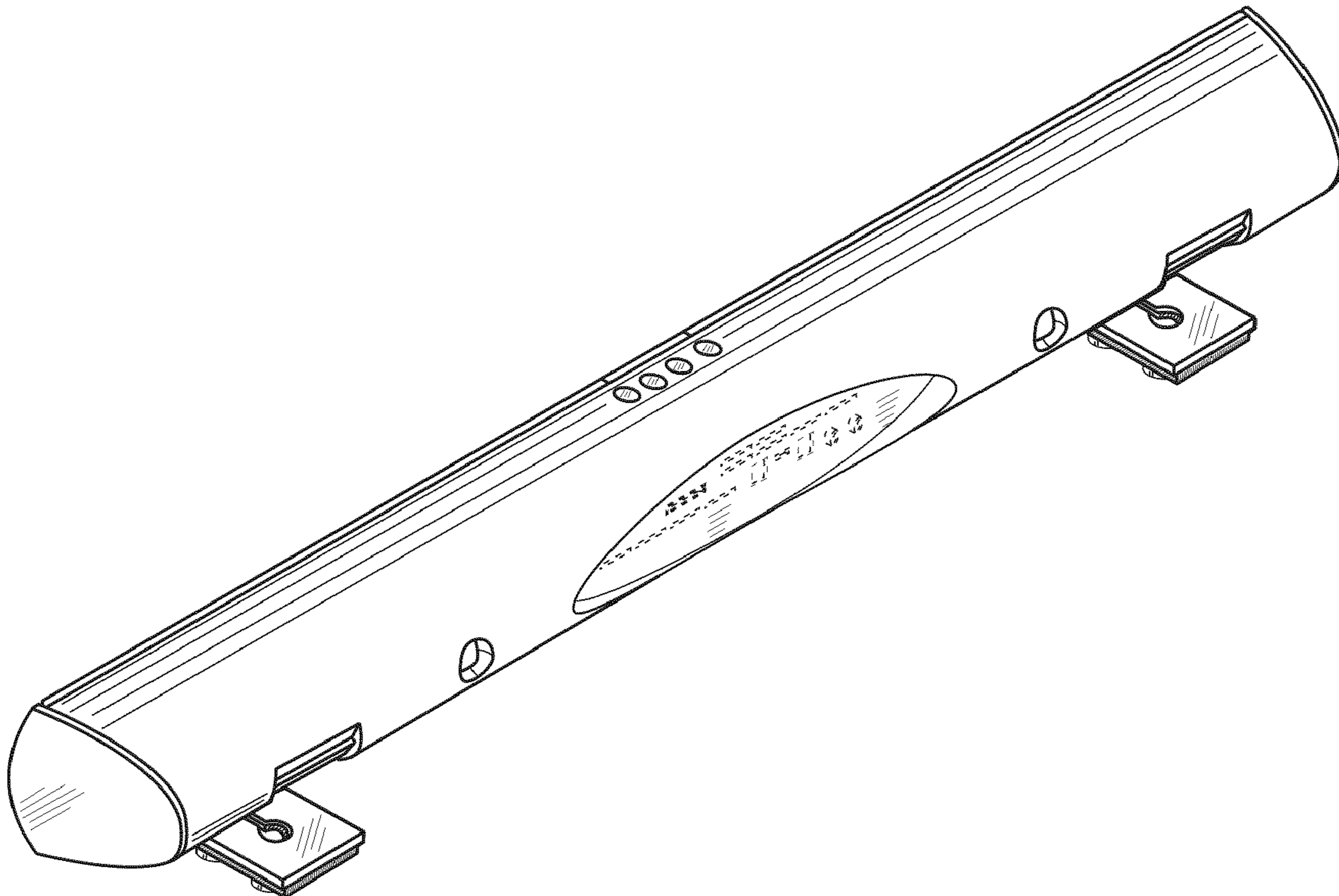
(57) **CLAIM**

I claim the ornamental design for a sound bar speaker system, as shown and described.

DESCRIPTION

FIG. 1 is a rear perspective view of a sound bar speaker system showing my new design; FIG. 2 is a right-side view thereof; FIG. 3 is a left-side view thereof; FIG. 4 is a front view thereof; FIG. 5 is a rear view thereof; FIG. 6 is a bottom view thereof; FIG. 7 is a top view thereof; and, FIG. 8 is a front perspective view thereof. The broken lines depicting a plurality of connectors and controls in FIGS. 1 and 5 are for illustrative purposes only and form no part of the claimed design.

1 Claim, 8 Drawing Sheets



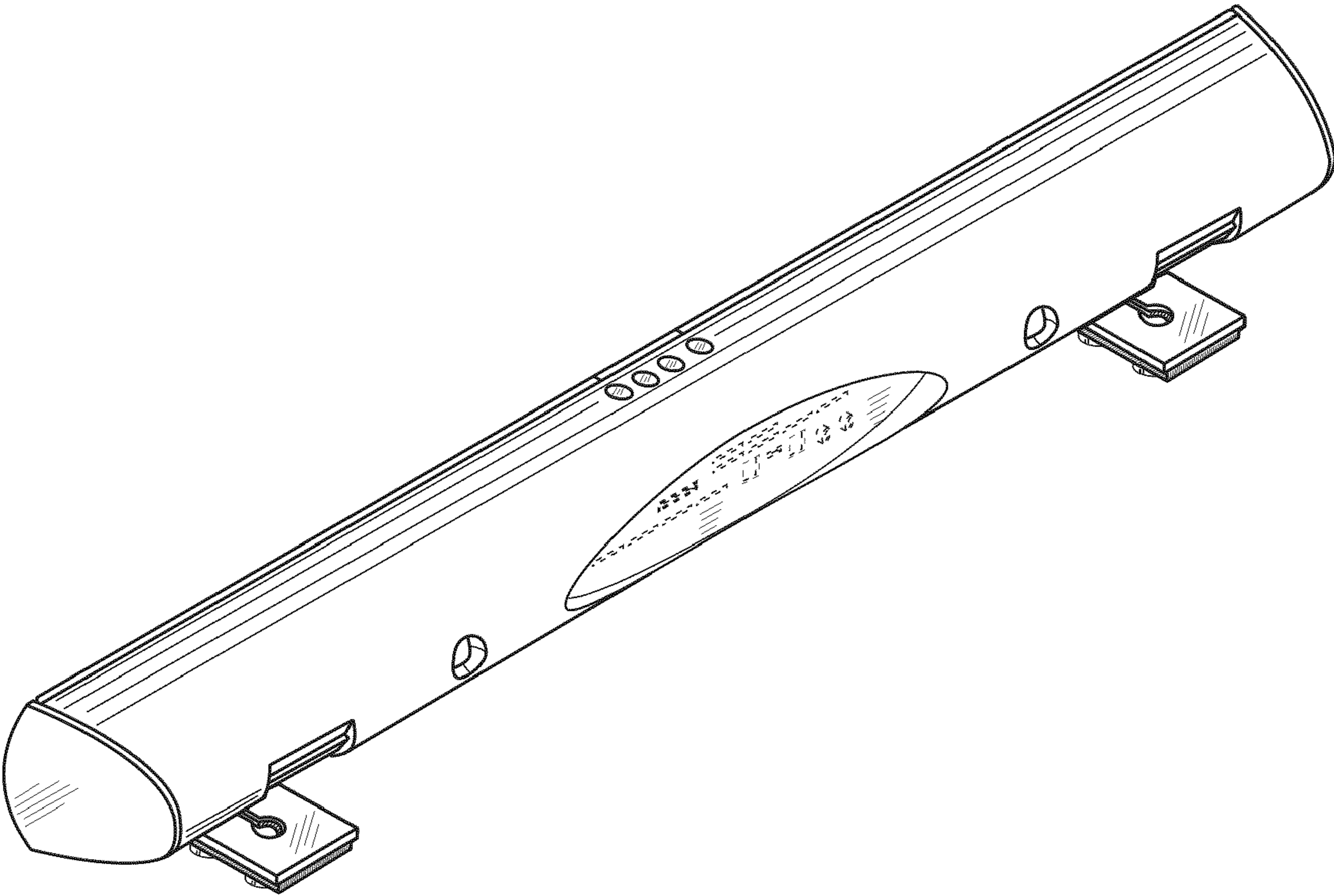


FIG.1

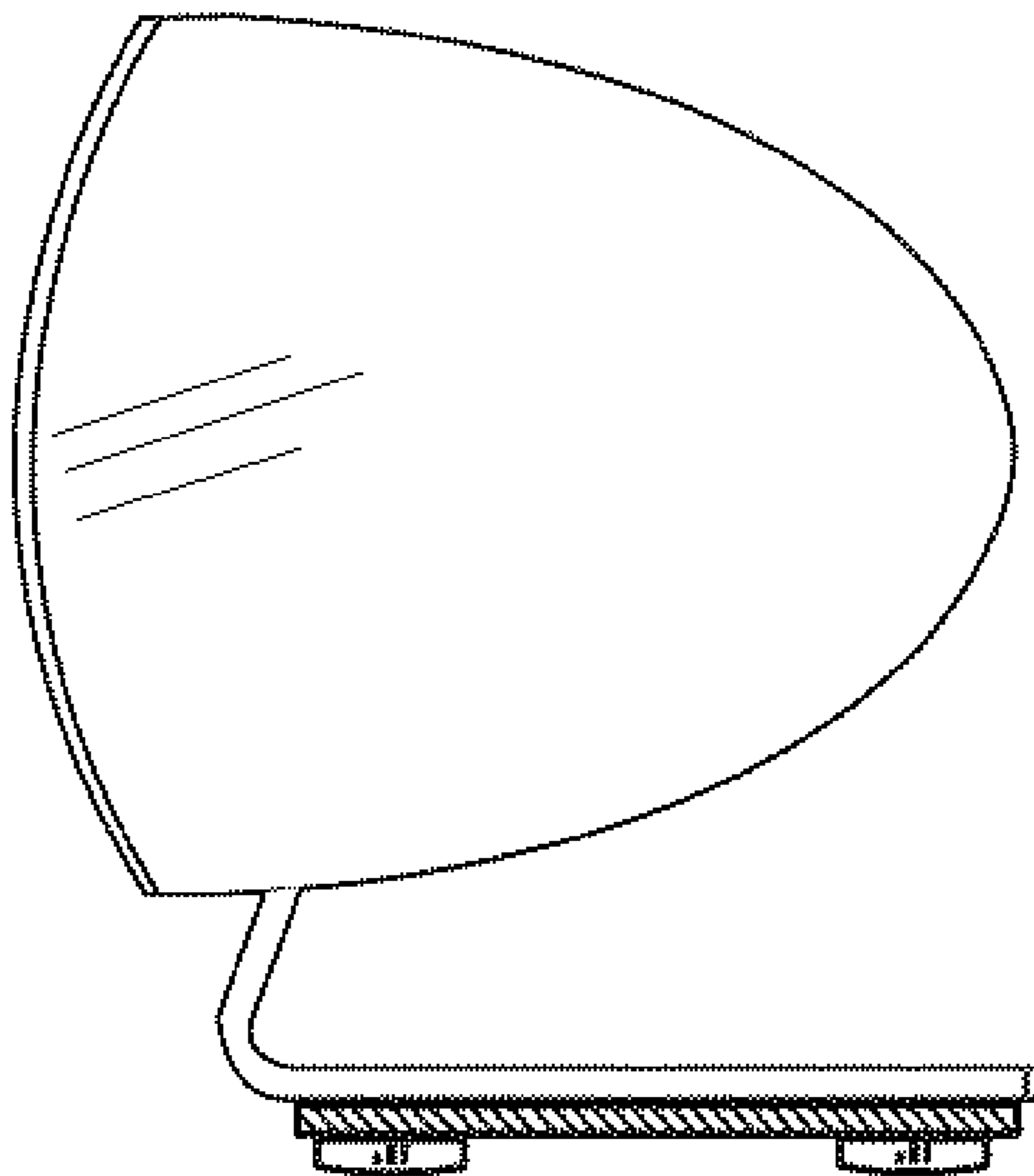


FIG. 2

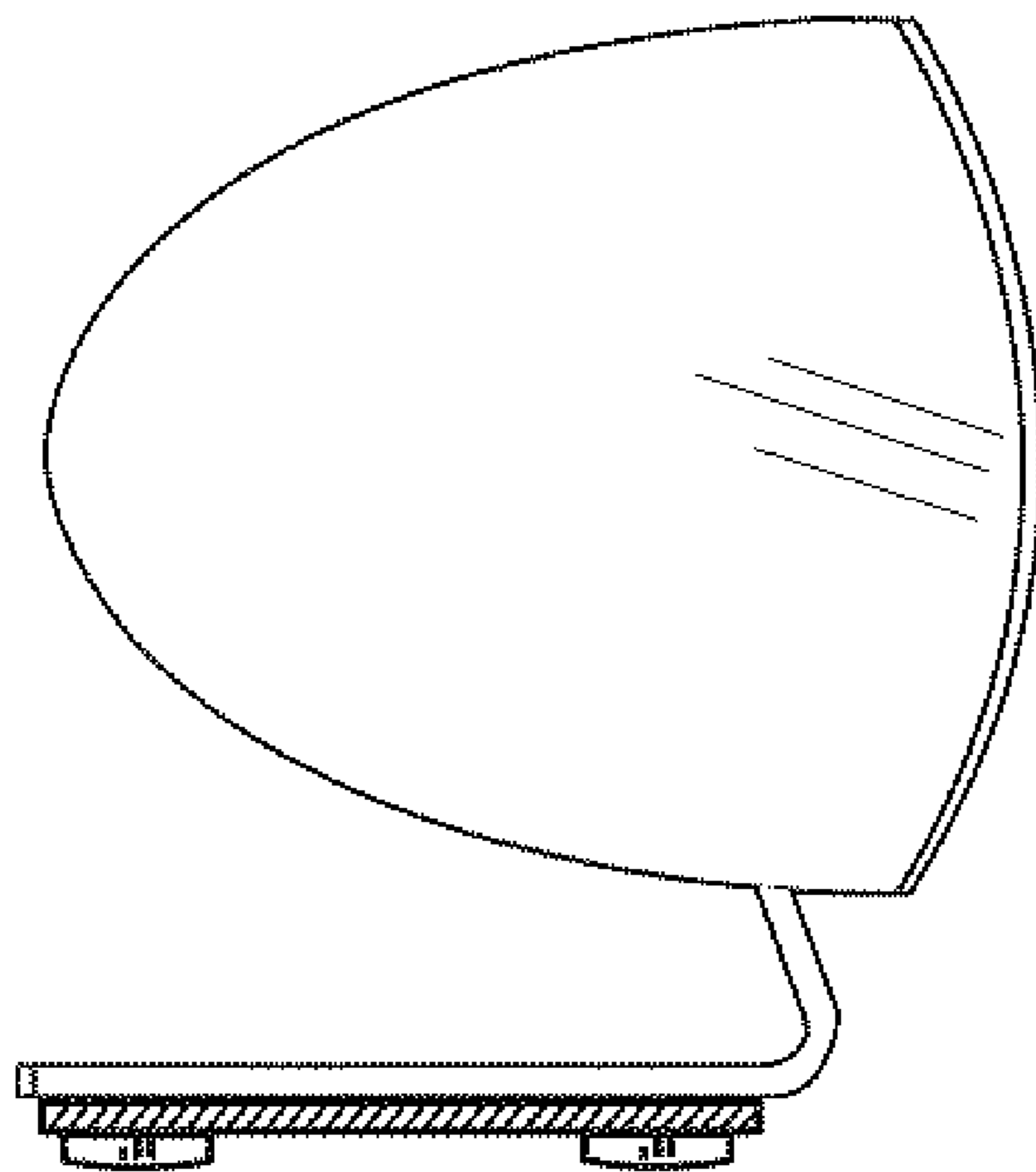


FIG. 3

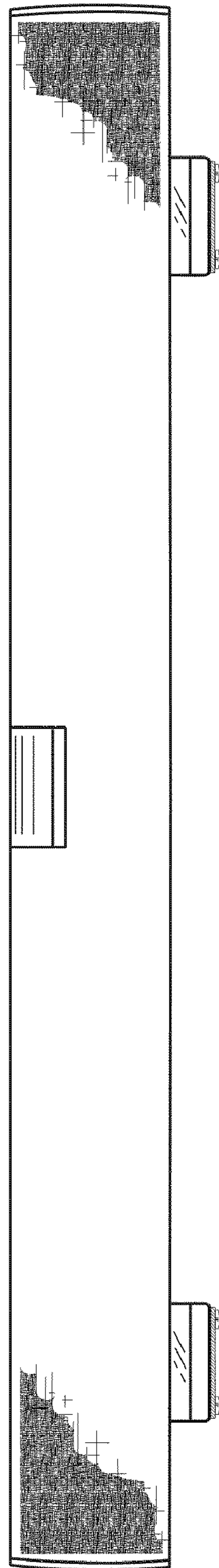


FIG.4

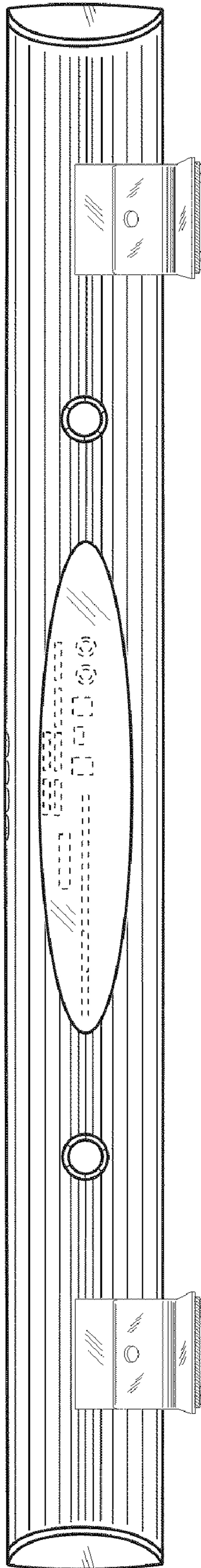


FIG.5

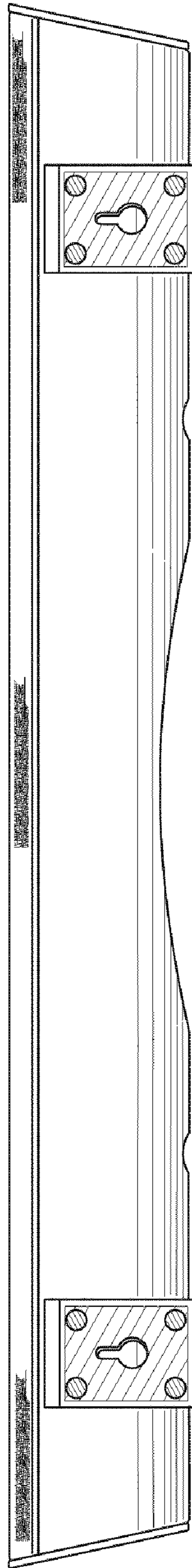


FIG.6

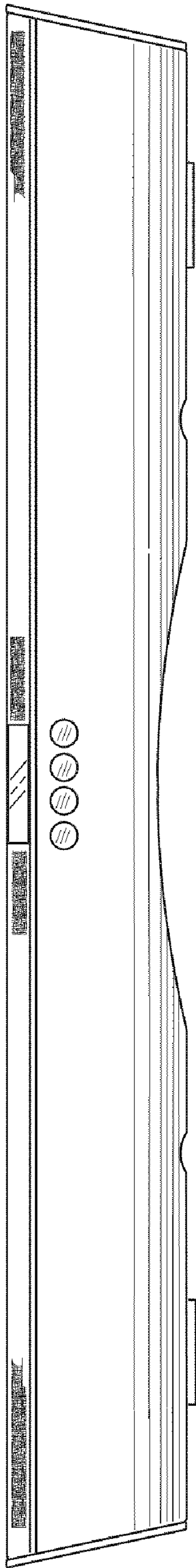


FIG. 7

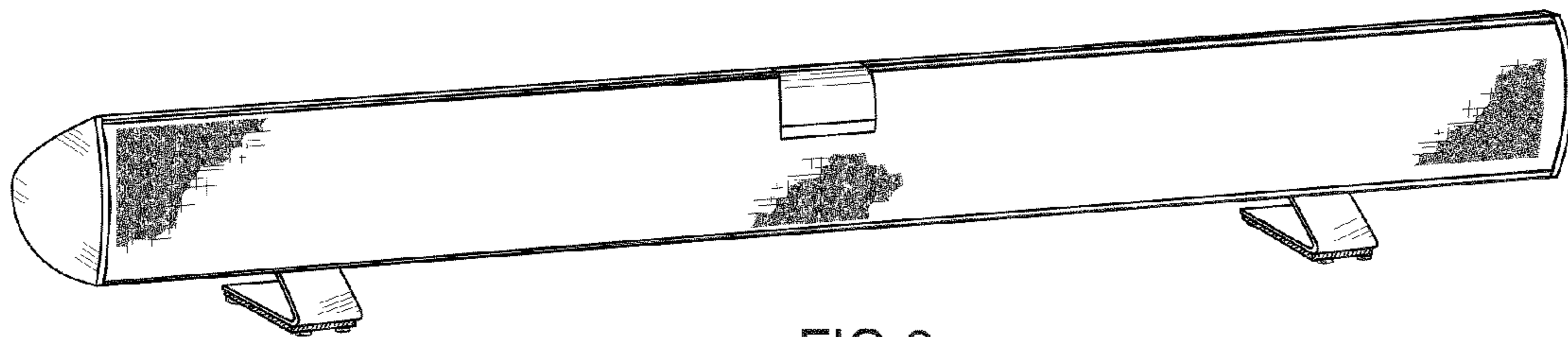


FIG.8