



US00D655273S

(12) **United States Design Patent**
Parkins et al.

(10) **Patent No.:** **US D655,273 S**
(45) **Date of Patent:** **** Mar. 6, 2012**

(54) **EARCUP FOR A HEADSET**

(74) *Attorney, Agent, or Firm* — Brown & Michaels, PC

(75) Inventors: **John W. Parkins**, Ithaca, NY (US);
David Parkins, Groton, NY (US); **David**
L. Fergot, Syracuse, NY (US); **Douglas**
M. Russell, Syracuse, NY (US)

(57) **CLAIM**
The ornamental design for an earcup for a headset, as shown and described.

(73) Assignee: **Red Tail Hawk Corporation**, Ithaca, NY (US)

DESCRIPTION

(**) Term: **14 Years**

This invention was made with Government support under SBIR contract N68335-09-C-0003, awarded by the US Navy. The government has certain rights in the invention.

(21) Appl. No.: **29/383,762**

FIG. 1 is a perspective view of the earcup of the present invention. The approximately oval center area in FIG. 1 is a solid surface.

(22) Filed: **Jan. 21, 2011**

FIG. 2 is a side view of the earcup.

(51) **LOC (9) Cl.** **14-01**

(52) **U.S. Cl.** **D14/205**

(58) **Field of Classification Search** D14/205,
D14/206, 223, 156, 188, 138 R; D29/112;
2/209, 423; 128/864; 181/175; 381/309,
381/380, 381; 455/575.2

FIG. 3 is a side view of the earcup, showing the opposite side from FIG. 2.

See application file for complete search history.

FIG. 4 is a top view of the earcup.

(56) **References Cited**

U.S. PATENT DOCUMENTS

3,661,225 A * 5/1972 Anderson 181/175

(Continued)

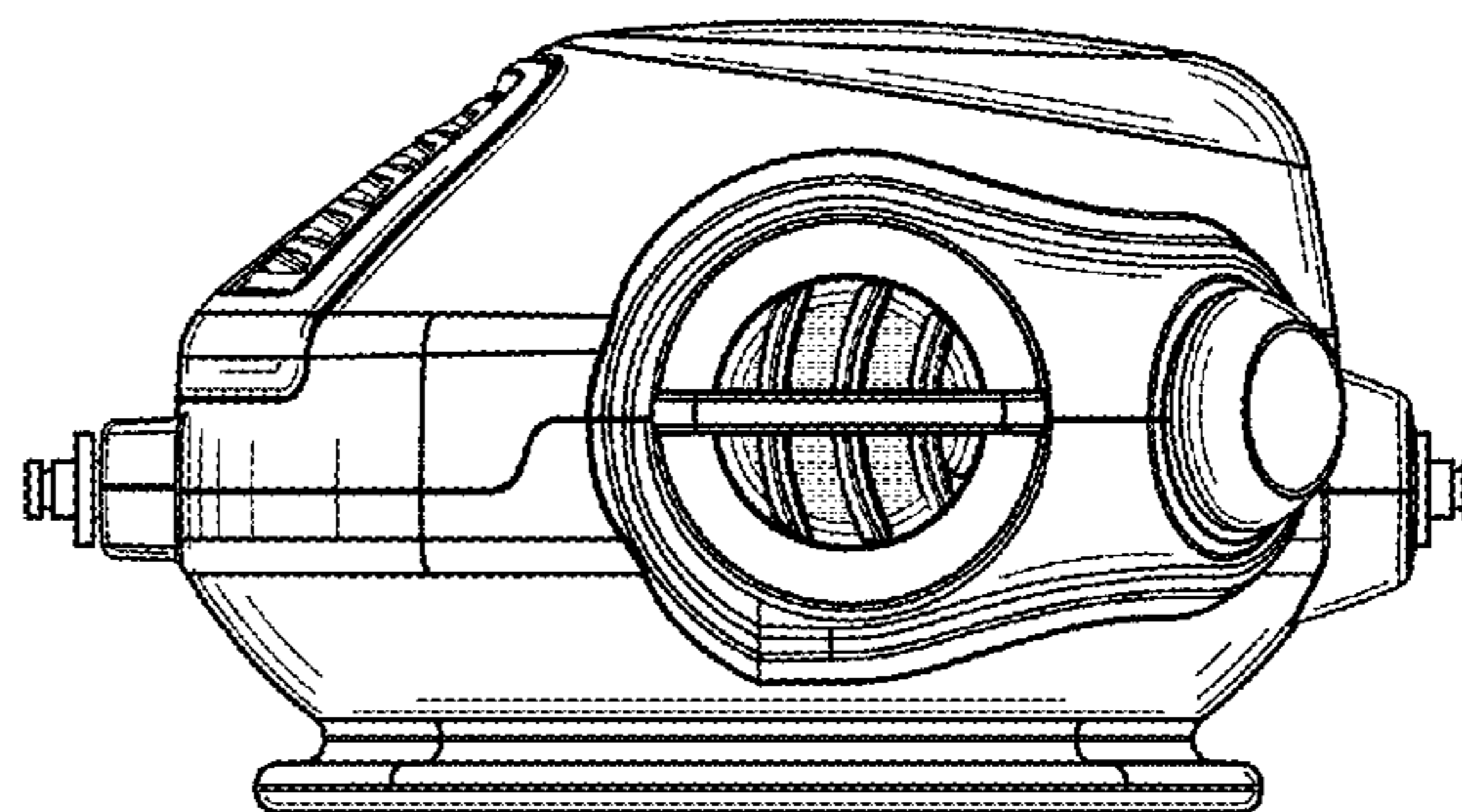
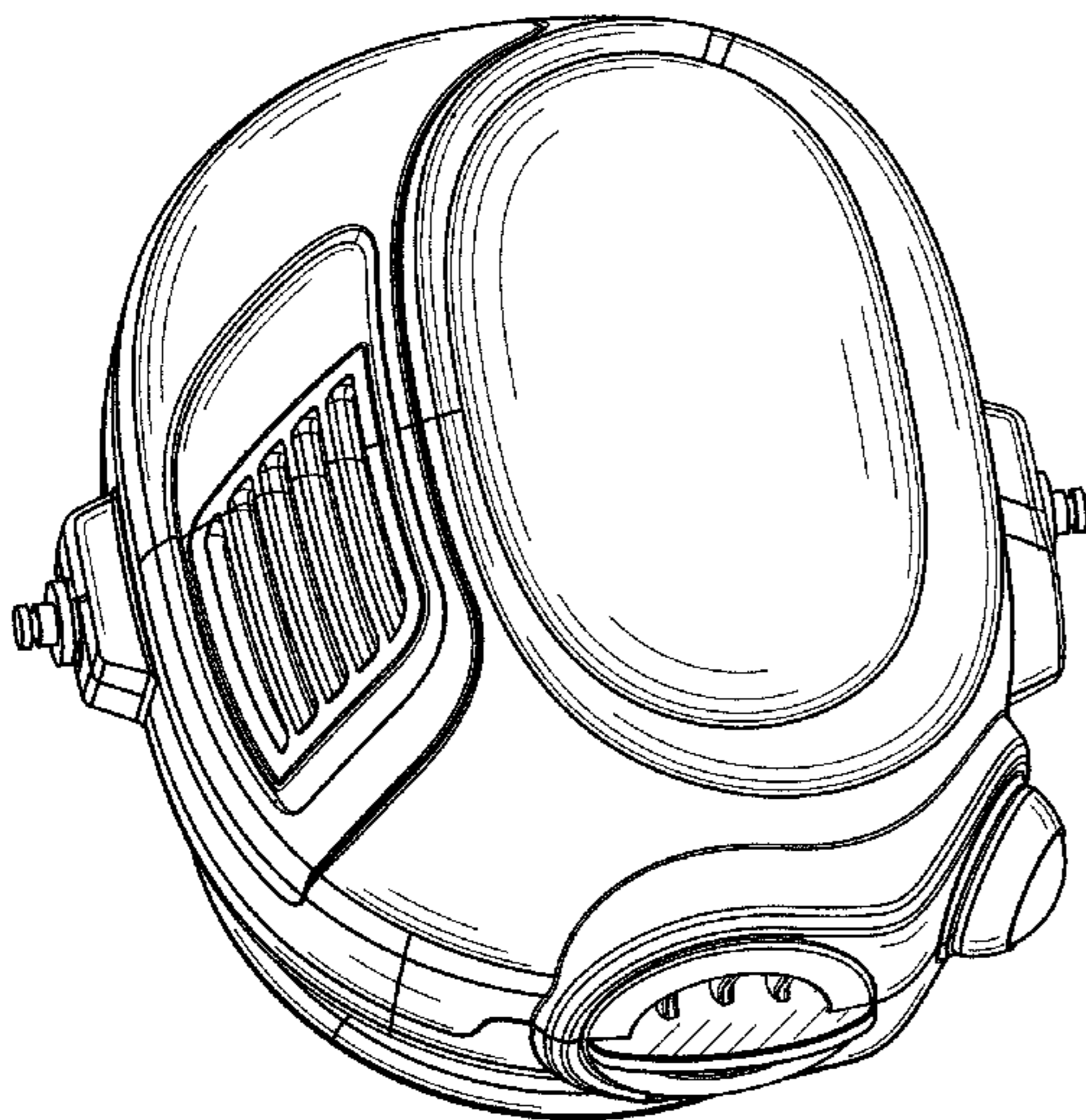
FIG. 5 is a side view of the earcup, showing the side facing away from a wearer's head when the earcup is worn as part of a headset. The approximately oval center area in FIG. 5 is a solid surface.

FIG. 6 is a bottom view of the earcup. The broken lines form no part of the claimed design; and,

FIG. 7 is a side view of the earcup, showing the side facing toward a wearer's head when the earcup is worn as part of a headset. The approximately oval center area in FIG. 7 is a hole into the interior of the earcup.

Primary Examiner — Paula Greene

1 Claim, 4 Drawing Sheets



US D655,273 S

Page 2

U.S. PATENT DOCUMENTS

D239,787 S *	5/1976	Lonnstedt	D29/112	D459,337 S *	6/2002	Mori	D14/192
3,984,885 A *	10/1976	Yoshimura et al.	381/309	D504,414 S *	4/2005	Yoshida	D14/192
D276,855 S *	12/1984	Falco	D29/112	D549,688 S *	8/2007	Suzuki	D14/205
D327,888 S *	7/1992	Fitzgerald	D14/147	D568,290 S *	5/2008	Wikel	D14/205
D377,174 S *	1/1997	Runquist	D14/206	D581,394 S *	11/2008	Lee	D14/205
D411,200 S *	6/1999	Almqvist	D14/192	D592,640 S *	5/2009	Tkachuk	D14/205
D442,340 S *	5/2001	Leight et al.	D29/112	D602,002 S *	10/2009	Asai	D14/206

* cited by examiner

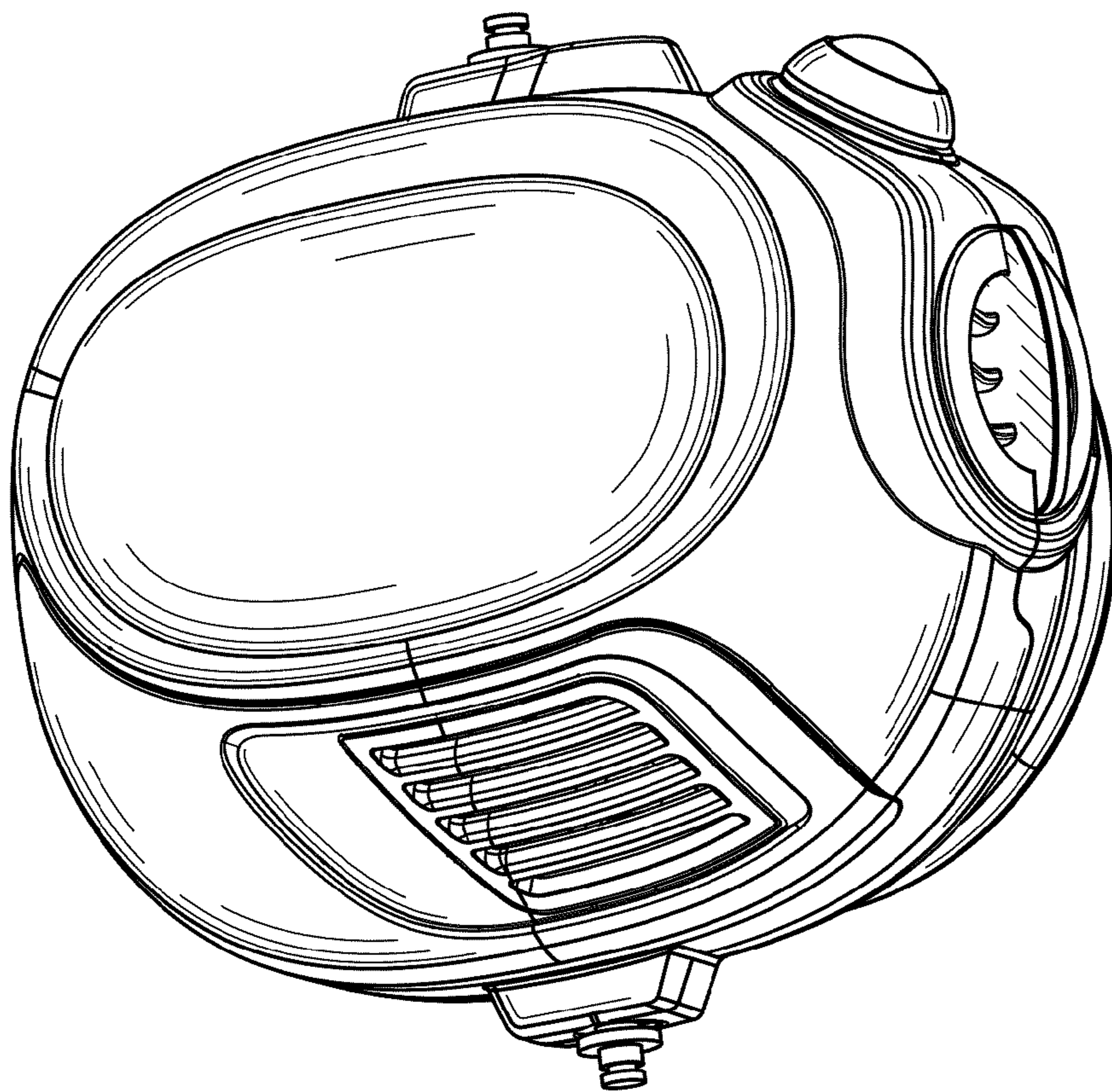


FIG. 1

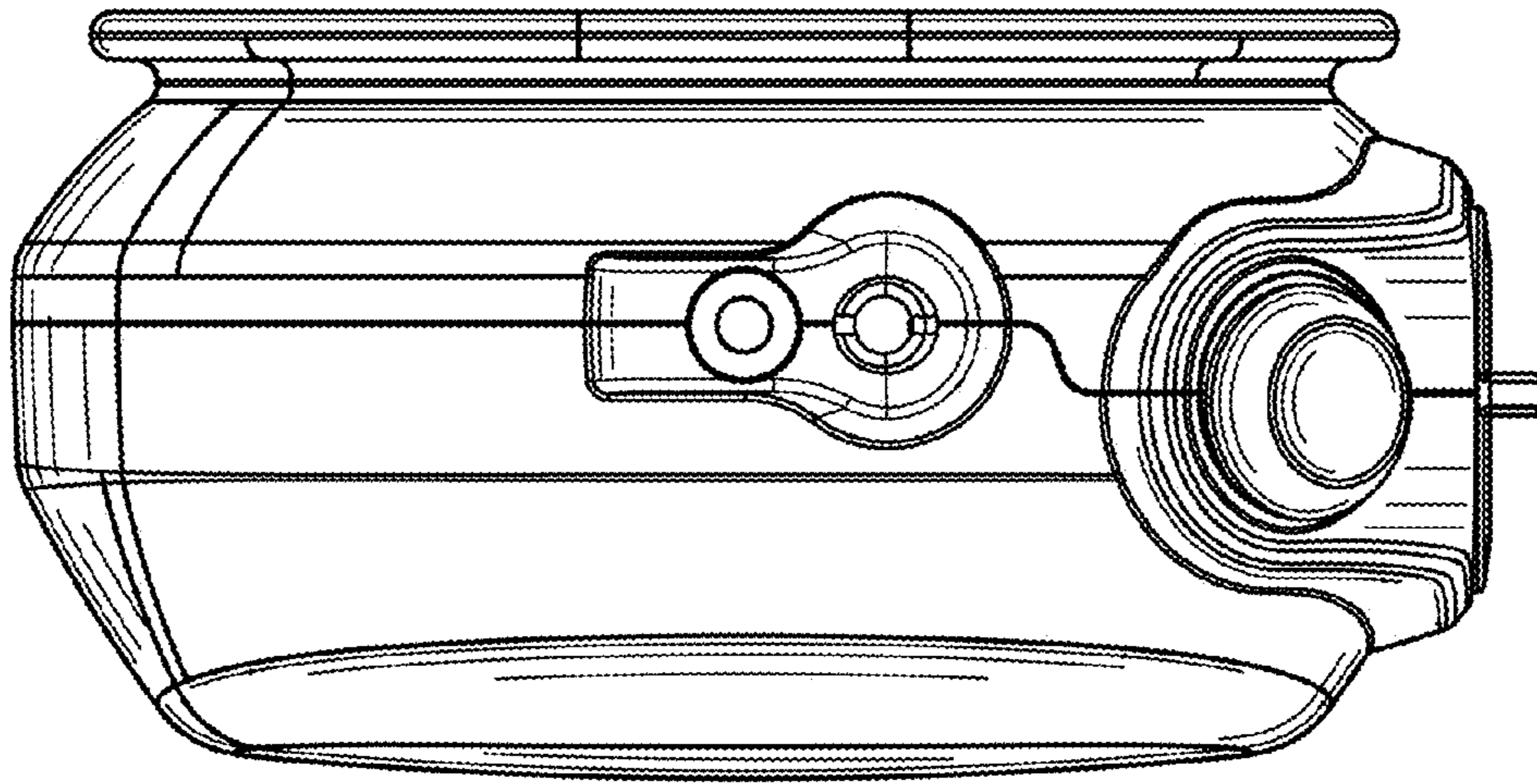


FIG. 3

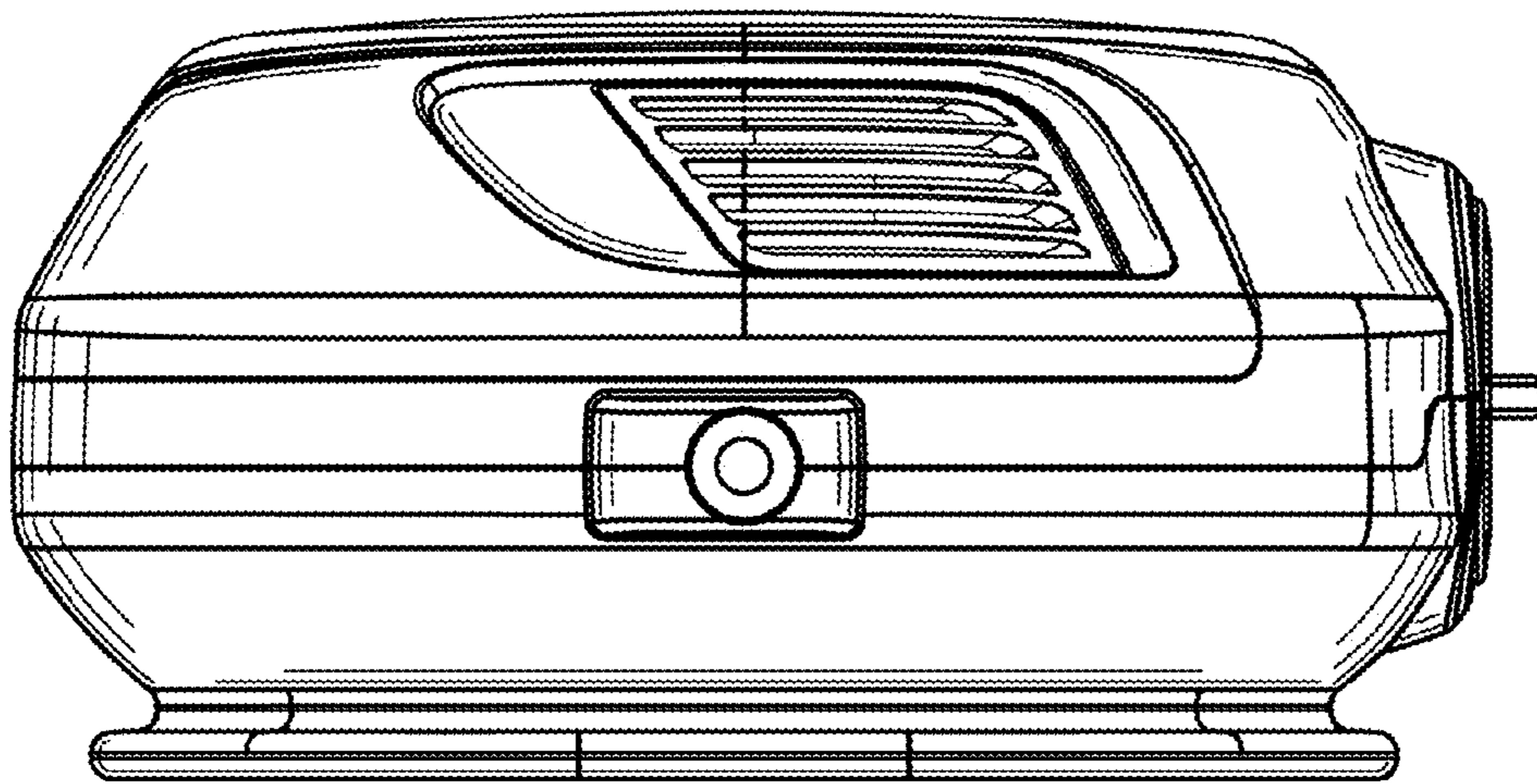


FIG. 2

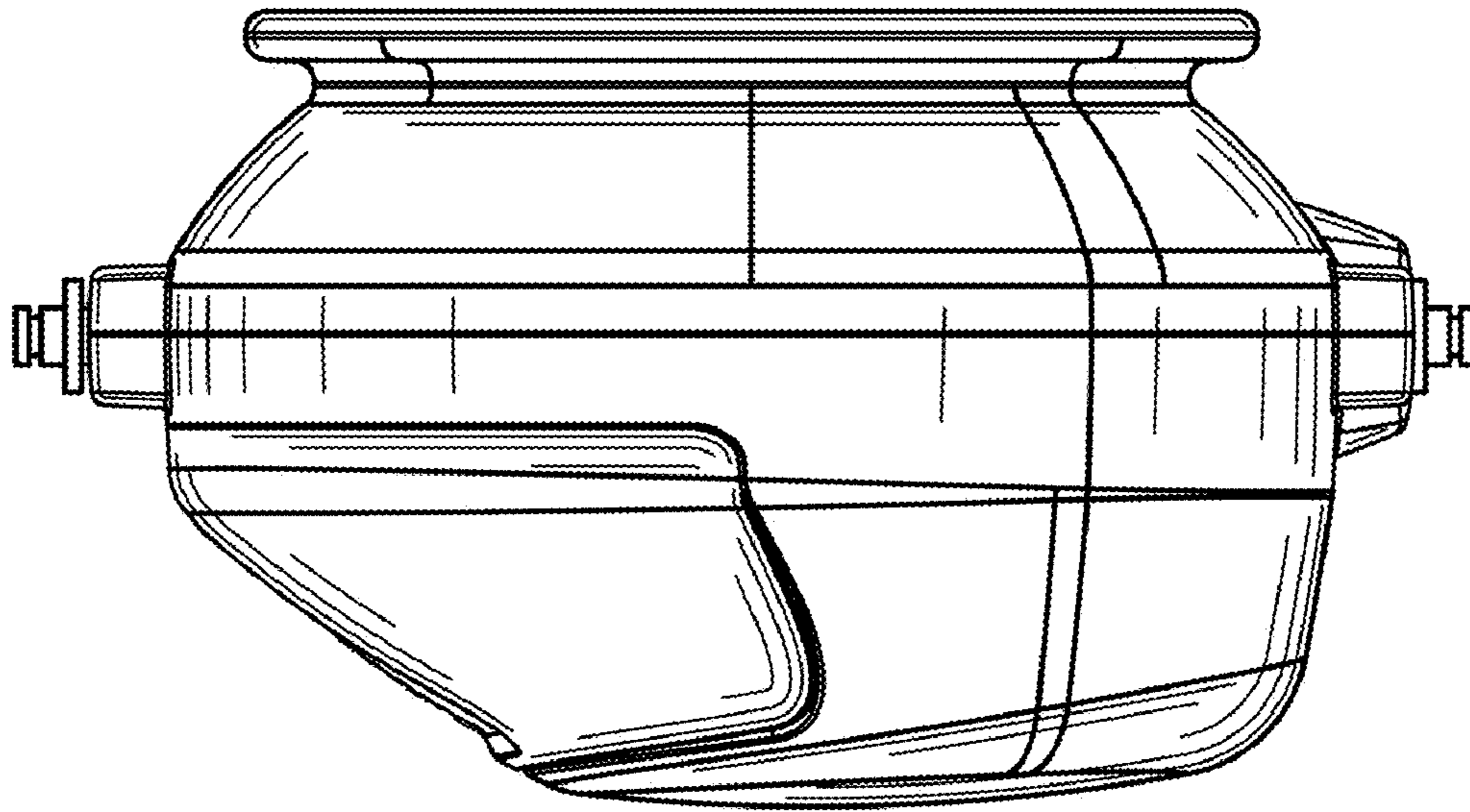


FIG. 4

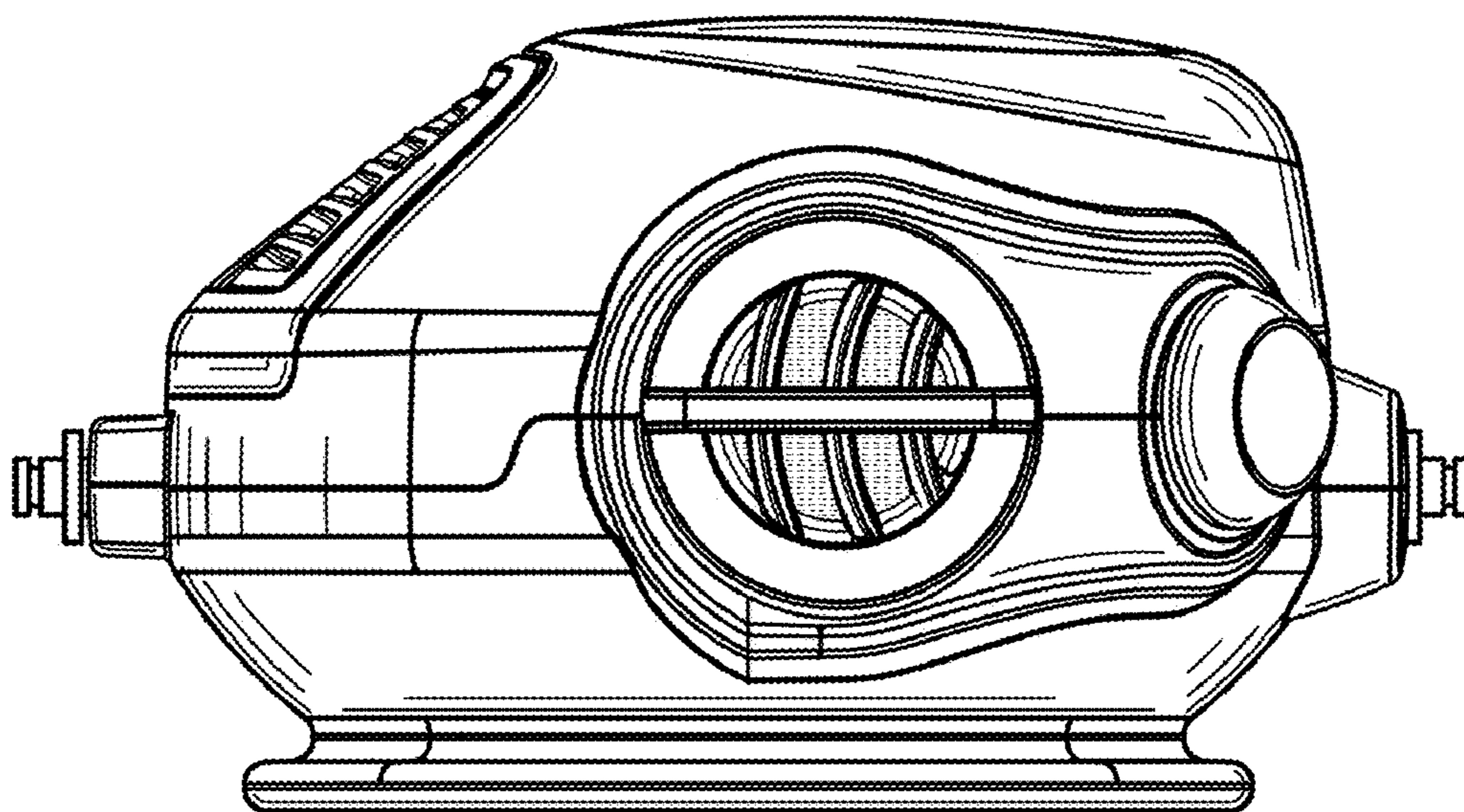


FIG. 6

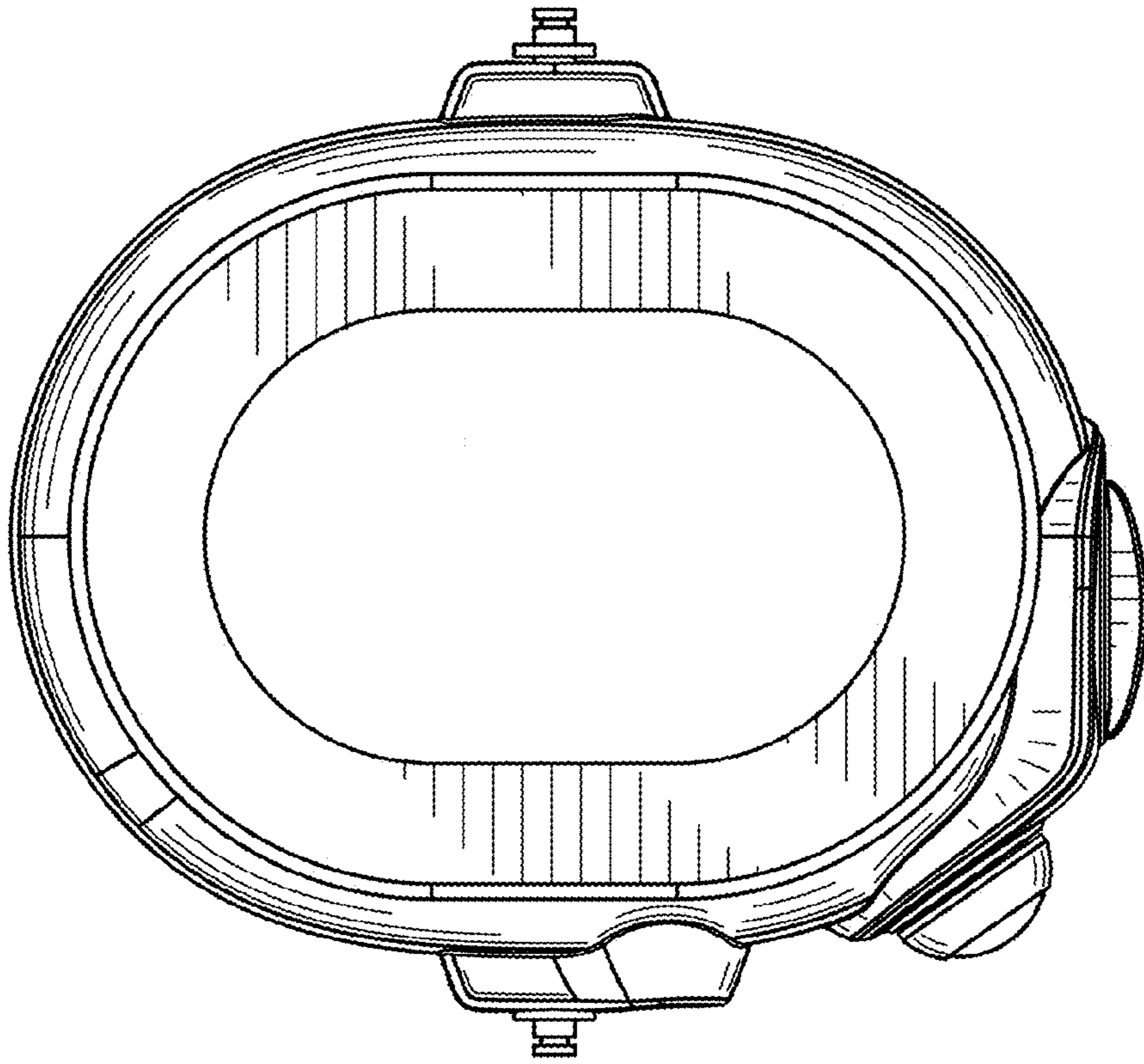


FIG. 7

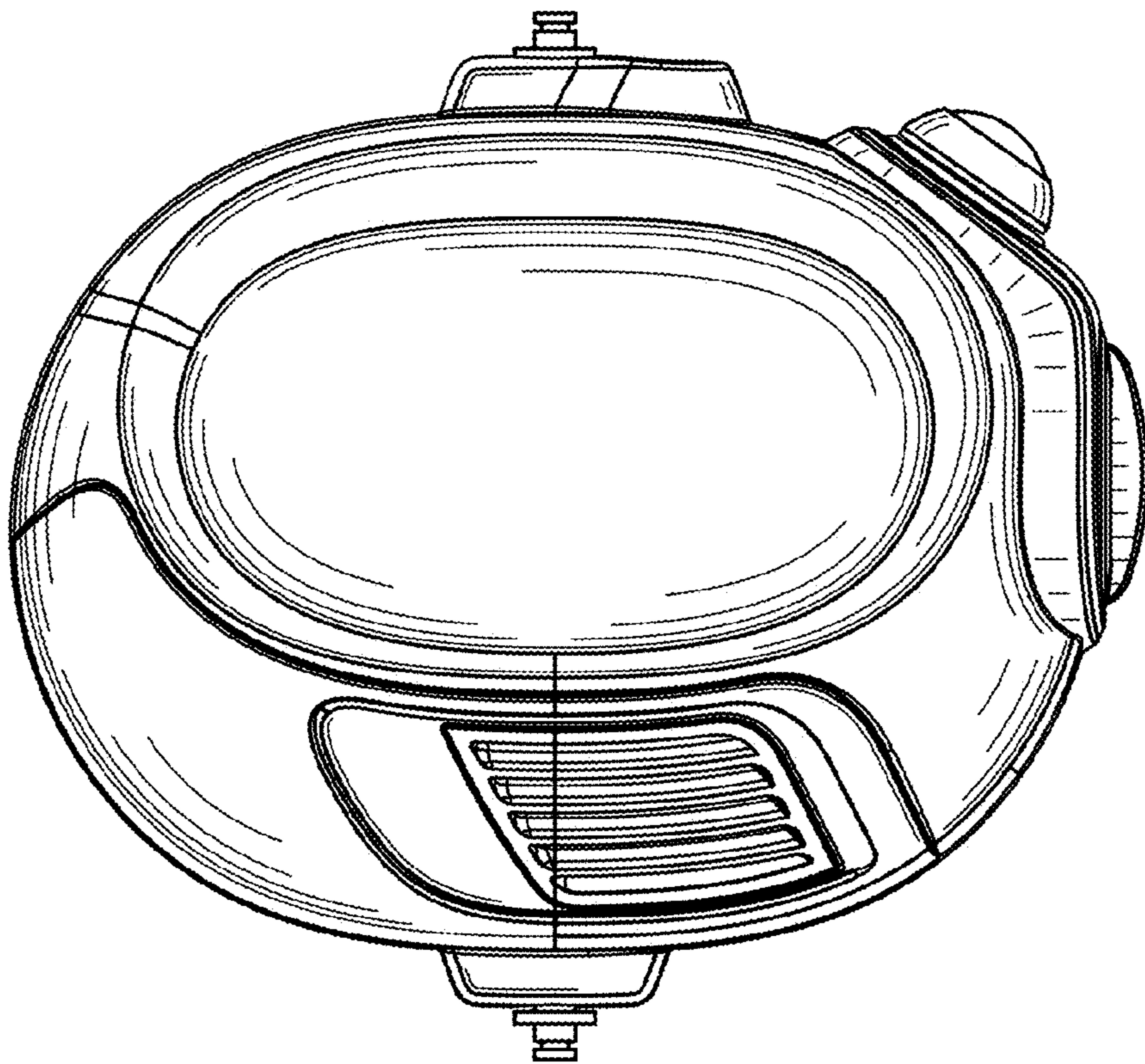


FIG. 5