



US00D655272S

(12) **United States Design Patent**
Kawase et al.

(10) **Patent No.:** **US D655,272 S**
(45) **Date of Patent:** **** Mar. 6, 2012**

(54) **RADIO RECEIVER**

(75) Inventors: **Tomonori Kawase**, Aichi-ken (JP);
Takayoshi Yoshimura, Aichi-ken (JP)

(73) Assignee: **Makita Corporation**, Anjo (JP)

(**) Term: **14 Years**

(21) Appl. No.: **29/386,082**

(22) Filed: **Feb. 24, 2011**

(30) **Foreign Application Priority Data**

Aug. 31, 2010 (JP) 2010-021009

(51) **LOC (9) Cl.** **14-03**

(52) **U.S. Cl.** **D14/194; D14/198**

(58) **Field of Classification Search** D14/137,
D14/155, 162, 167-171, 188, 189, 193-198,
D14/203.1-203.8, 204, 208, 209.1, 210, 212,
D14/214, 215, 217, 257, 258, 265, 299, 496;
369/6-12; 455/90.1-90.3, 344-355

See application file for complete search history.

(56) **References Cited**

U.S. PATENT DOCUMENTS

D277,751 S	2/1985	Ohno et al.	
D297,833 S	9/1988	Kawabe et al.	
D452,228 S *	12/2001	Tanaka	D14/198
D514,545 S *	2/2006	Watanabe	D14/499
D522,993 S *	6/2006	Harris et al.	D14/195
D553,611 S *	10/2007	Gan	D14/214
D556,732 S *	12/2007	Chan	D14/168
D560,205 S *	1/2008	Bhavnani	D14/171
D578,506 S	10/2008	Nakamura	
D597,073 S *	7/2009	Khoo et al.	D14/209.1

D599,322 S *	9/2009	Zheng	D14/168
D599,782 S *	9/2009	Tse	D14/209.1
D641,729 S *	7/2011	Hao et al.	D14/215

FOREIGN PATENT DOCUMENTS

GB 2042733 2/1995

OTHER PUBLICATIONS

Russian Patent Office, Official Notice of Substantive Examination issued on Oct. 20, 2011 in Russian Patent Application No. 2011501530 w/English-language Translation.

* cited by examiner

Primary Examiner — Stella Reid

Assistant Examiner — Keli L Hill

(74) *Attorney, Agent, or Firm* — Oliff & Berridge, PLC

(57) **CLAIM**

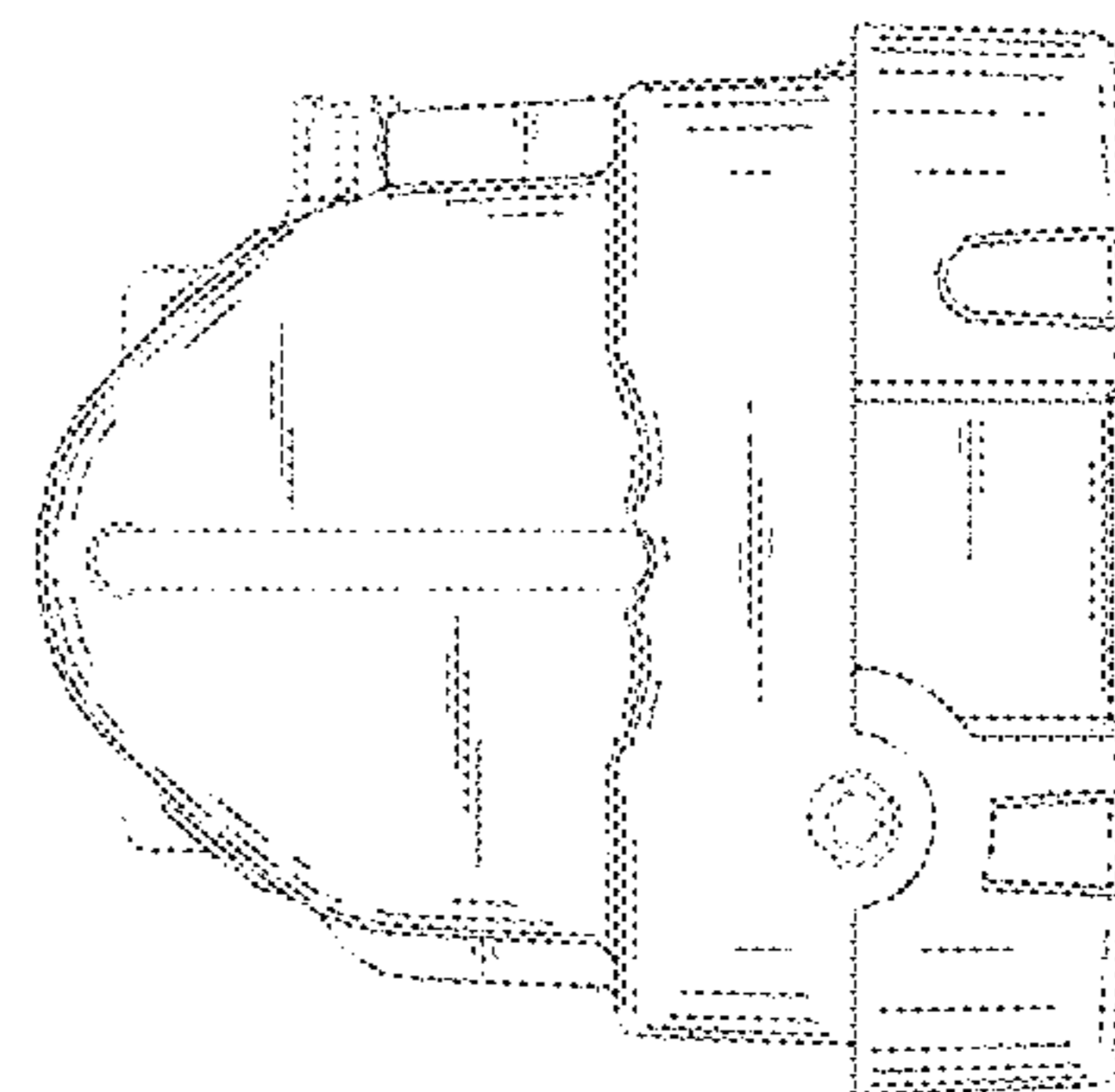
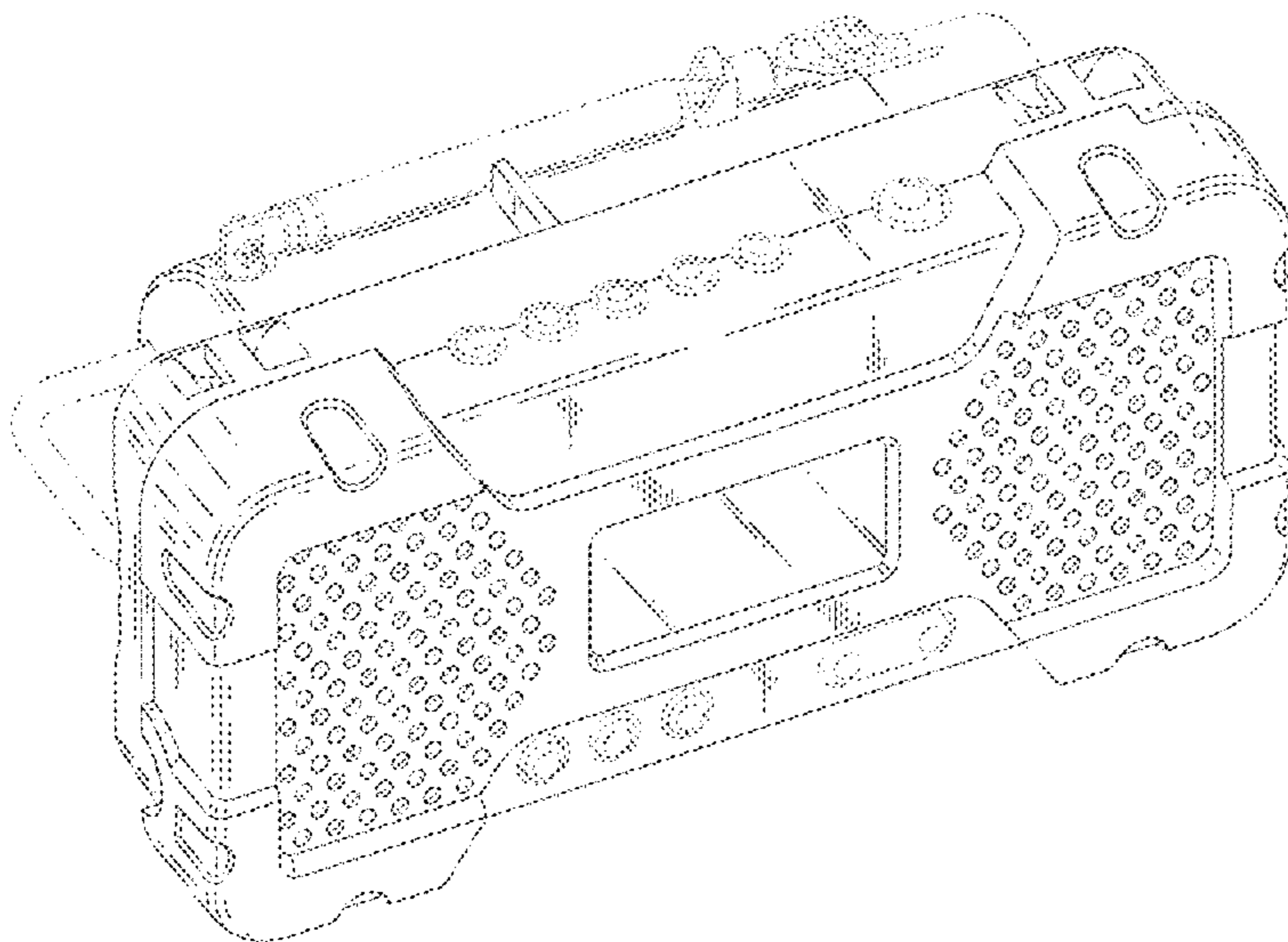
The ornamental design for a radio receiver, as shown and described.

DESCRIPTION

FIG. 1 is a perspective view of the front, top and left side of a radio receiver showing our new design; FIG. 2 is a front view thereof; FIG. 3 is a rear view thereof; FIG. 4 is a top plan view thereof; FIG. 5 is a bottom view thereof; FIG. 6 is a left side view thereof; and, FIG. 7 is a right side view thereof.

The broken lines shown are included for the purpose of illustrating the unclaimed portions of the article and form no part of the claim.

1 Claim, 6 Drawing Sheets



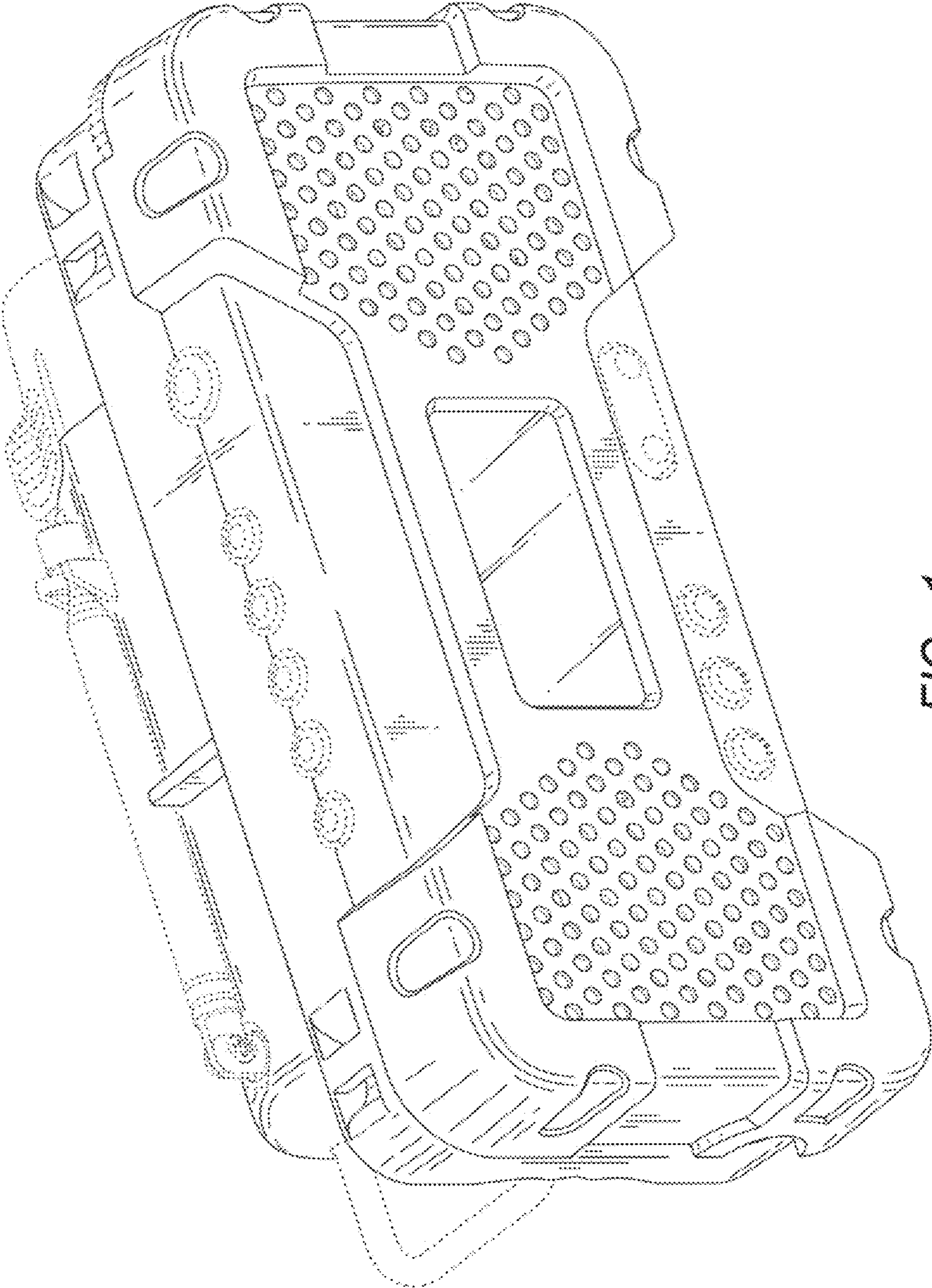


FIG. 1

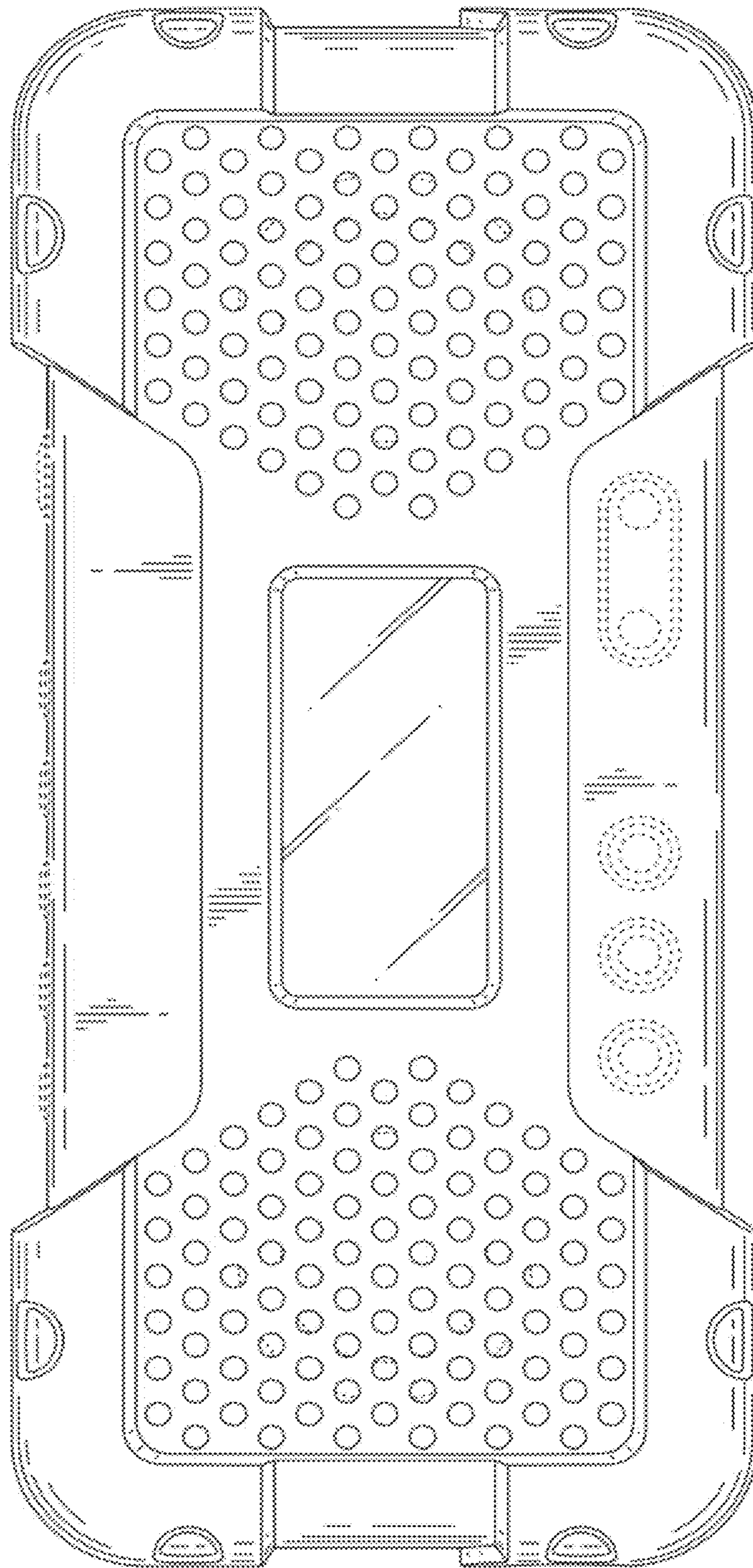


FIG. 2

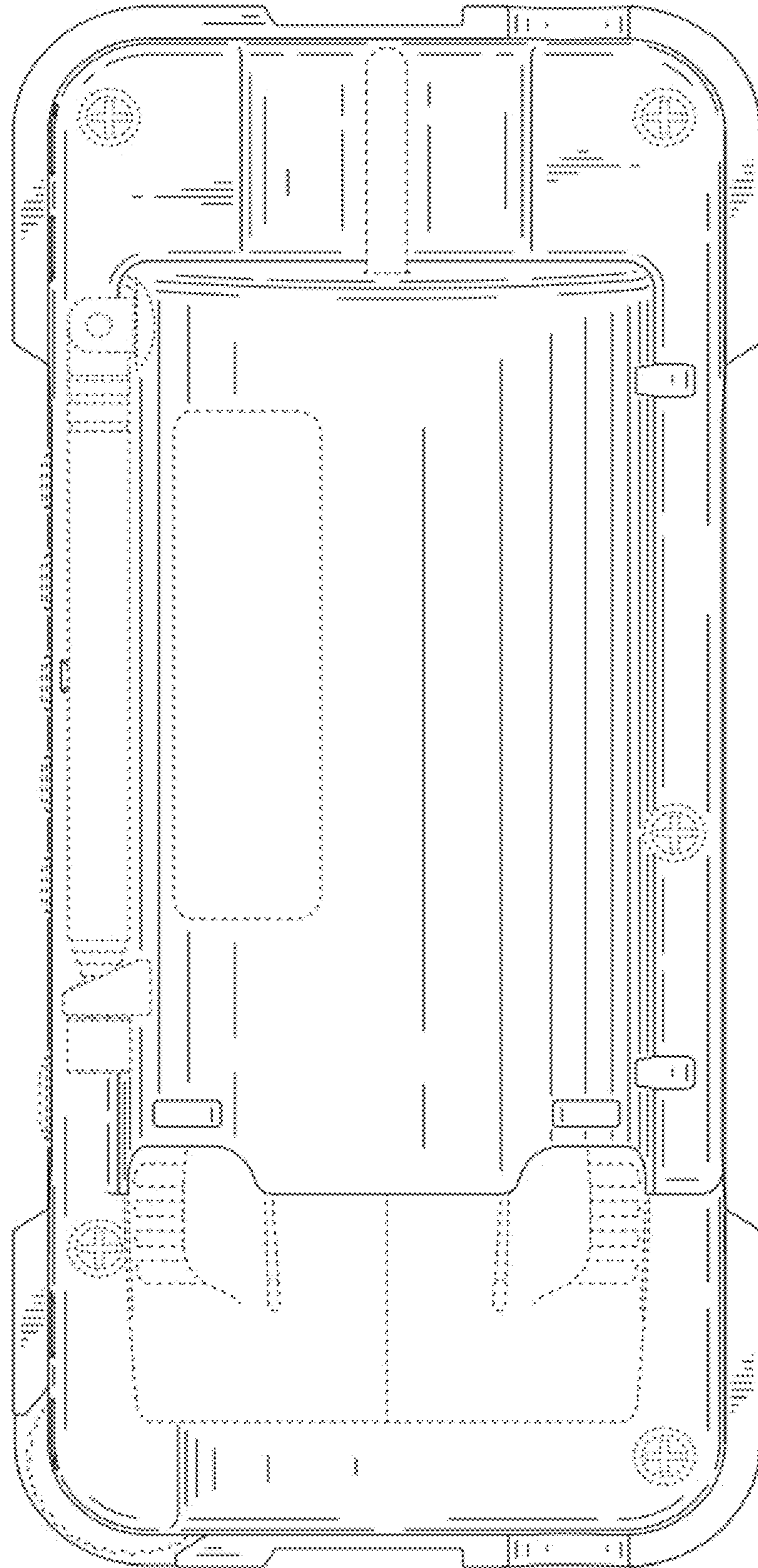


FIG. 3

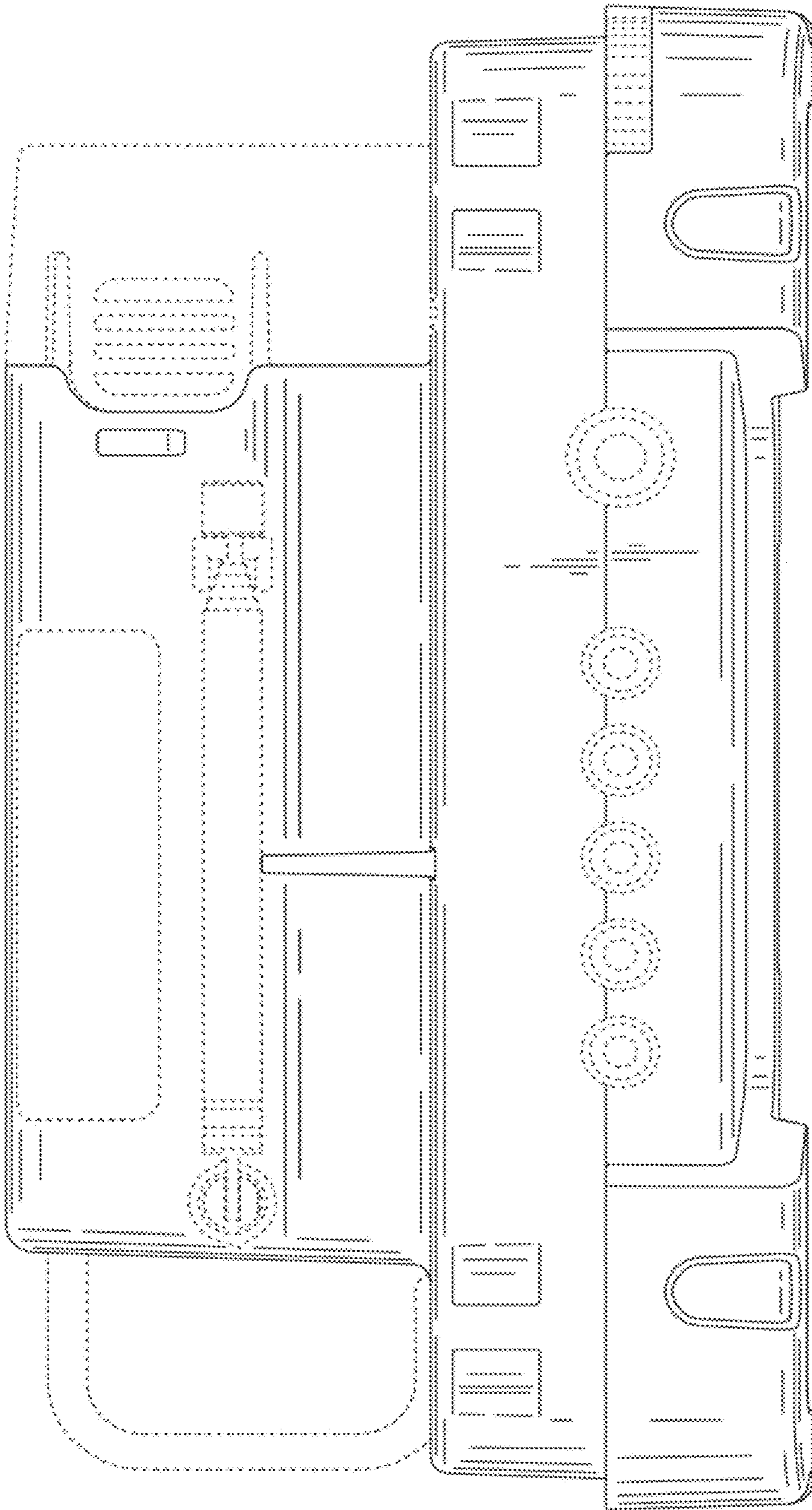


FIG. 4

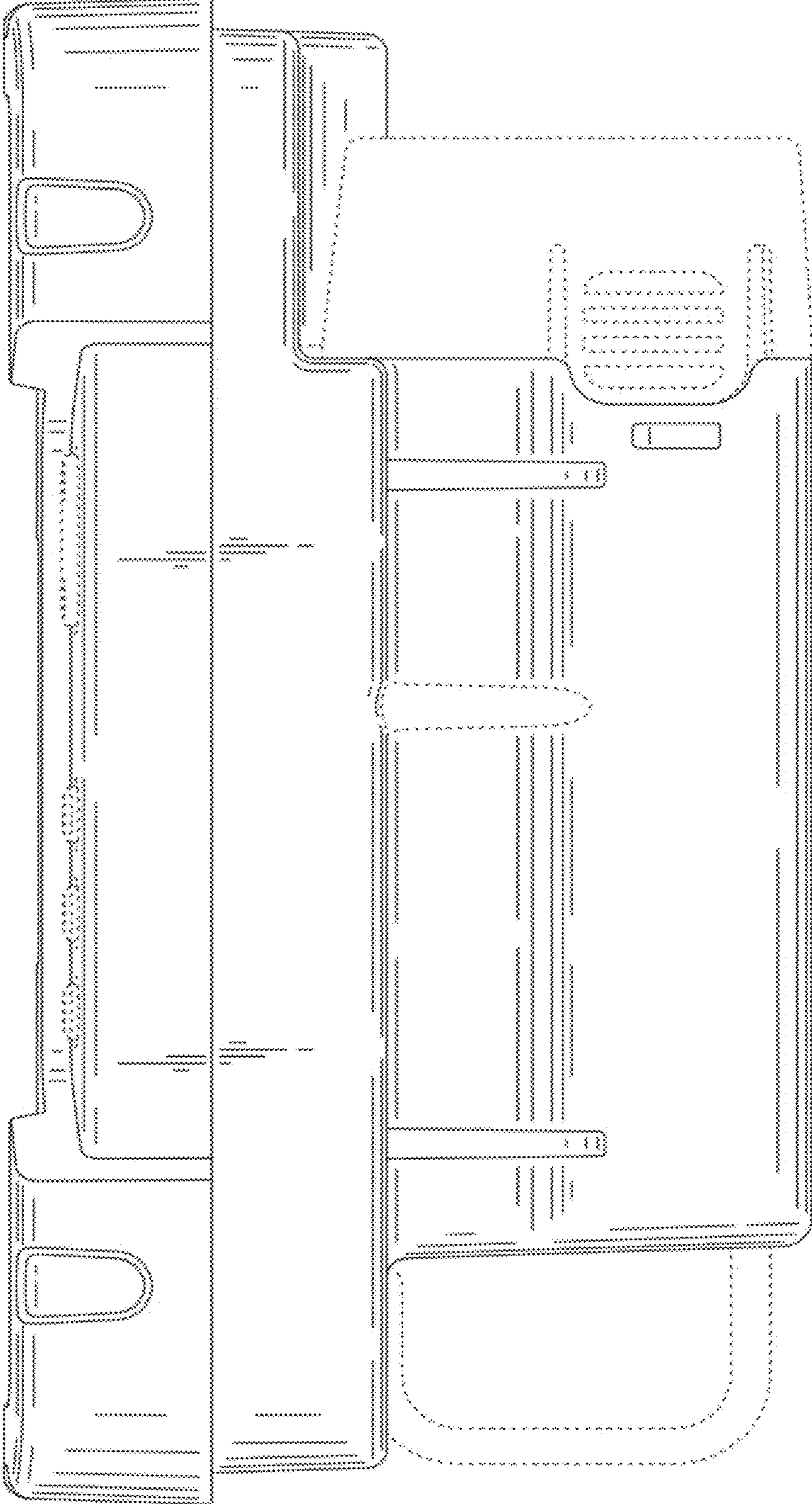


FIG. 5

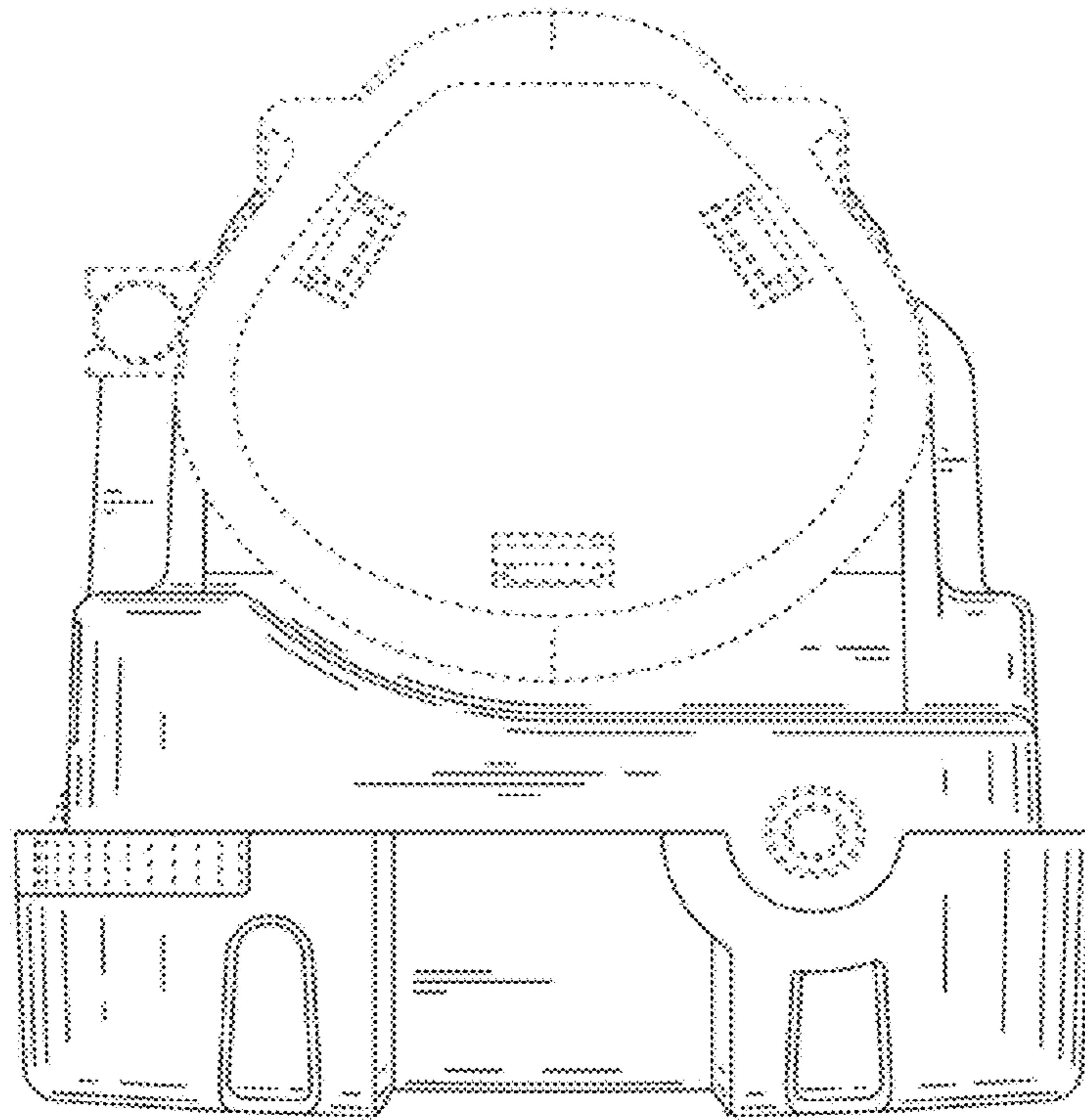


FIG. 7

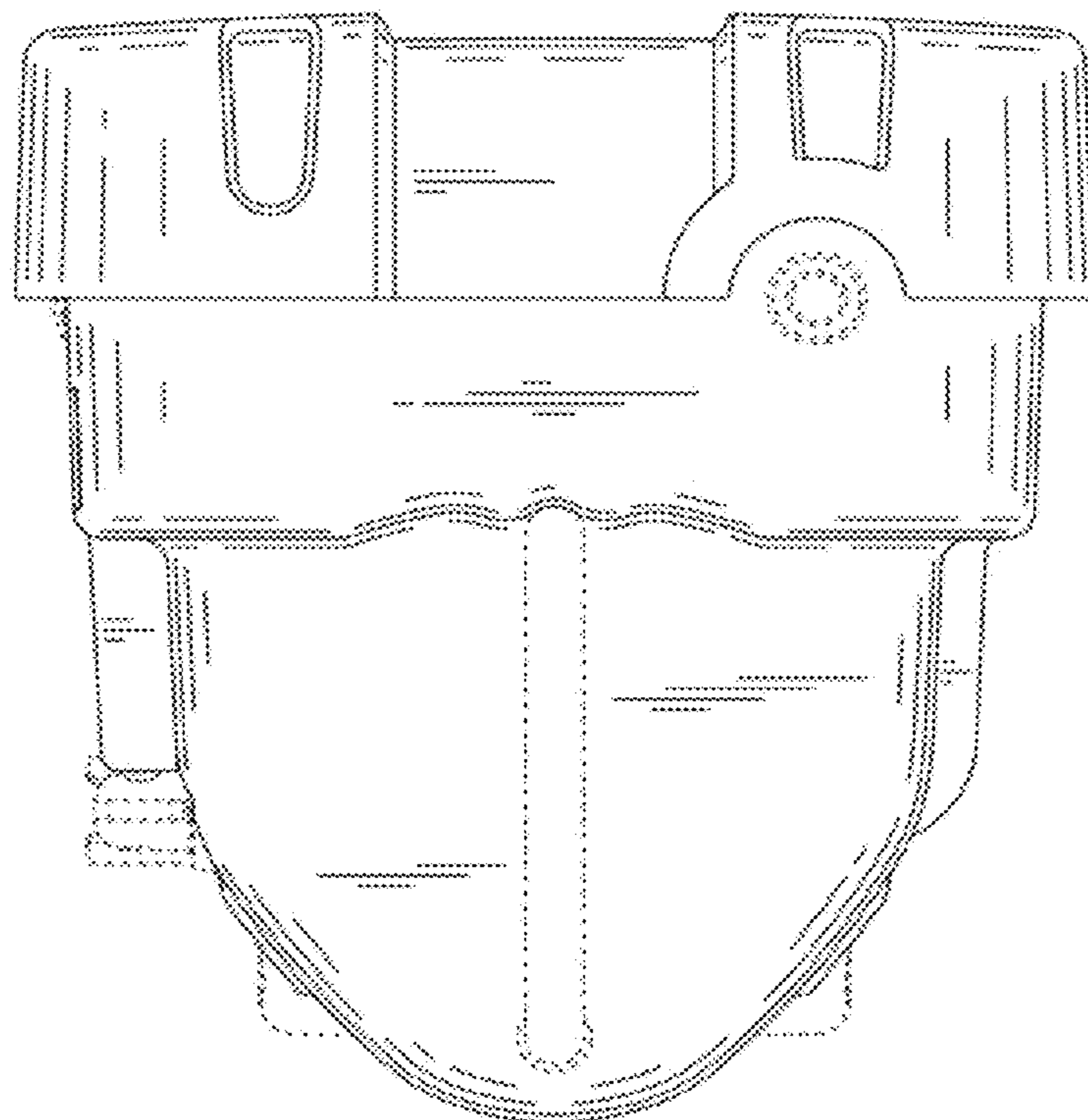


FIG. 6