



US00D655267S

(12) **United States Design Patent**
Daniel

(10) **Patent No.:** **US D655,267 S**
(45) **Date of Patent:** **** Mar. 6, 2012**

(54) **PORTABLE REMOTE TERMINAL FOR TRANSMITTING COMMUNICATIONS OF GAME PLAY INSTRUCTIONS**

(75) Inventor: **Isaac Sayo Daniel**, Miramar, FL (US)

(73) Assignee: **F3M3 Companies, Inc.**, Miramar, FL (US)

(**) Term: **14 Years**

(21) Appl. No.: **29/361,867**

(22) Filed: **May 17, 2010**

(51) **LOC (9) Cl.** **14-03**

(52) **U.S. Cl.** **D14/137; D14/155; D14/240**

(58) **Field of Classification Search** D14/240–242, D14/356–358, 371, 341, 140.1–140.6, 140, D14/155, 159, 137, 149, 150, 217, 170–171, D14/125, 188, 203.3, 203.4, 203.7, 336, 496, D14/511, 138 R, 138 G, 138 AD, 345, 346, D14/250, 218; 455/550.1, 66.1; D13/184, D13/133, 152, 147, 168; 361/679.4, 679.56, 361/679.03, 679.26; 340/7.54; 439/717, 439/131, 135–147; 370/315, 352; 375/311; 710/300, 301; D10/65; D21/329, 331

See application file for complete search history.

(56) **References Cited**

U.S. PATENT DOCUMENTS

D293,088	S	*	12/1987	Brown et al.	D10/106.1
D352,706	S	*	11/1994	Hong	D14/137
D357,000	S	*	4/1995	Takahashi	D14/341
D359,920	S	*	7/1995	Sakamoto	D10/65
5,493,697	A	*	2/1996	May	455/66.1
5,553,846	A	*	9/1996	Frye et al.	473/455
D376,146	S	*	12/1996	Totsch	D14/155
5,646,589	A		7/1997	Murray et al.		
D419,993	S	*	2/2000	Silzer, Jr.	D14/138 G
D429,287	S	*	8/2000	Nara et al.	D21/329
D448,757	S	*	10/2001	Okubo	D14/511
D503,170	S	*	3/2005	Leviel et al.	D14/341
D507,269	S	*	7/2005	Schlieffers et al.	D14/346
D508,213	S	*	8/2005	Silzer et al.	D10/65
D509,760	S	*	9/2005	Burrell et al.	D10/65
D531,920	S	*	11/2006	Mudd et al.	D10/65

D533,551	S	*	12/2006	Smith et al.	D14/341
7,171,553	B2		1/2007	Rix et al.		
D572,266	S	*	7/2008	Anderson et al.	D14/496
D592,659	S	*	5/2009	Montgomery et al.	D14/341
D594,358	S	*	6/2009	Lammers-Meis et al.	D10/65
7,609,512	B2	*	10/2009	Richardson et al.	361/679.41
D614,587	S	*	4/2010	Yodfat et al.	D13/168
7,702,101	B2		4/2010	Malcolm et al.		
D615,438	S	*	5/2010	Goetzl et al.	D10/104.1
D633,088	S	*	2/2011	Liao	D14/341
2002/0132211	A1		9/2002	August		
2006/0025214	A1		2/2006	Smith		
2007/0143382	A1		6/2007	Luster		
2007/0290801	A1	*	12/2007	Powell	340/7.55
2008/0317263	A1	*	12/2008	Villarreal, Jr.	381/120
2010/0098264	A1	*	4/2010	Gutierrez	381/77

FOREIGN PATENT DOCUMENTS

WO WO 2008/032315 A 3/2008

* cited by examiner

Primary Examiner — Jeffrey D Asch

(74) *Attorney, Agent, or Firm* — Carol N. Green, Esq.

(57) **CLAIM**

The ornamental design for a portable remote terminal for transmitting communications of game play instructions, as shown and described.

DESCRIPTION

FIG. 1 is a front right perspective view showing my new design:

FIG. 2 is a back right perspective view thereof;

FIG. 3 is a front elevation view thereof;

FIG. 4 is a back elevation view thereof;

FIG. 5 is a left side elevation view thereof;

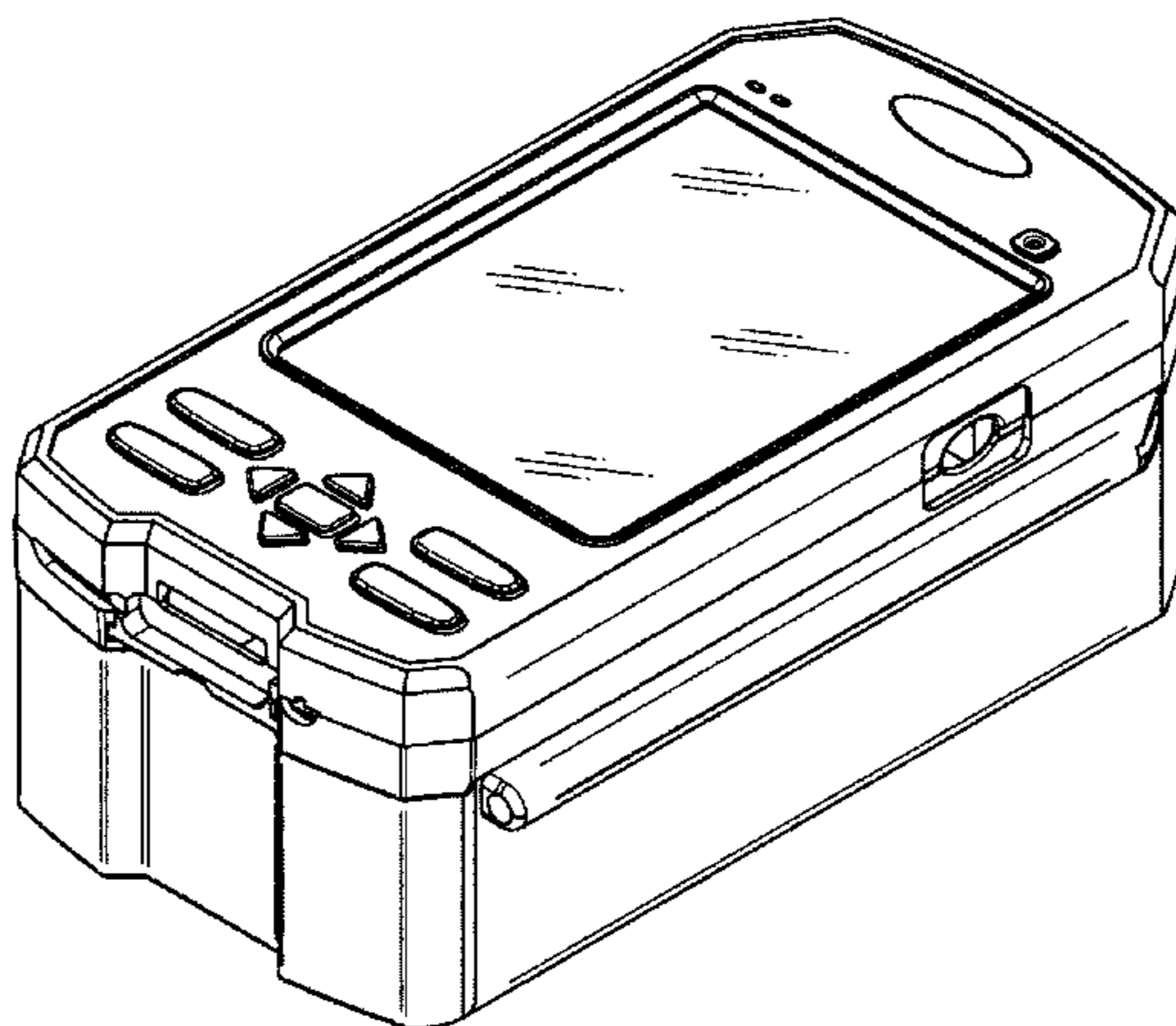
FIG. 6 is a right side elevation view thereof;

FIG. 7 is a bottom plan view thereof; and,

FIG. 8 is a top plan view thereof.

The broken lines shown throughout the various views, which are immediately adjacent to the shaded areas and define unshaded regions, represent the bounds of the claimed design, while all other broken lines are directed to environment and for illustrative purposes only; the broken lines form no part of the claimed design.

1 Claim, 6 Drawing Sheets



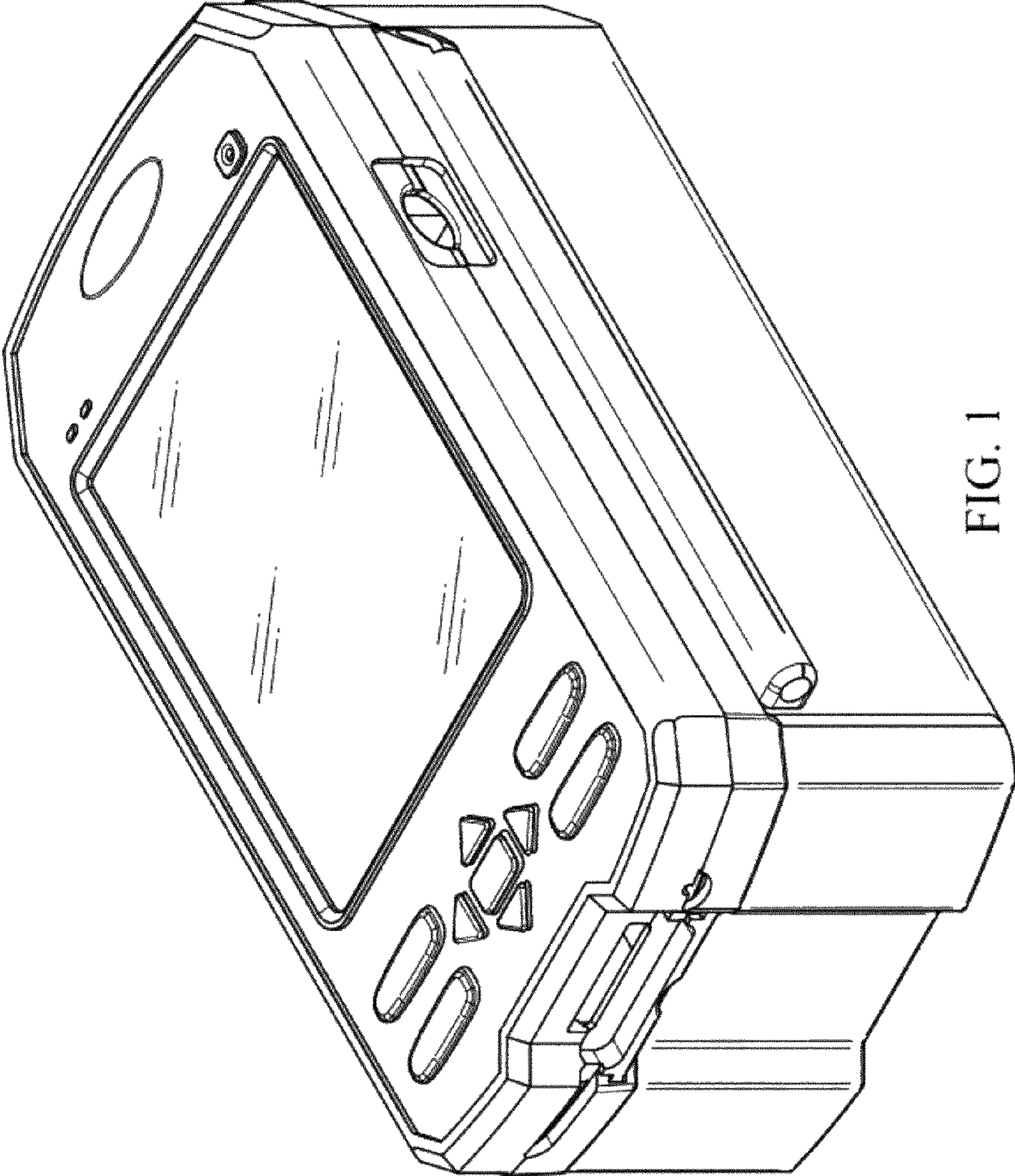


FIG. 1

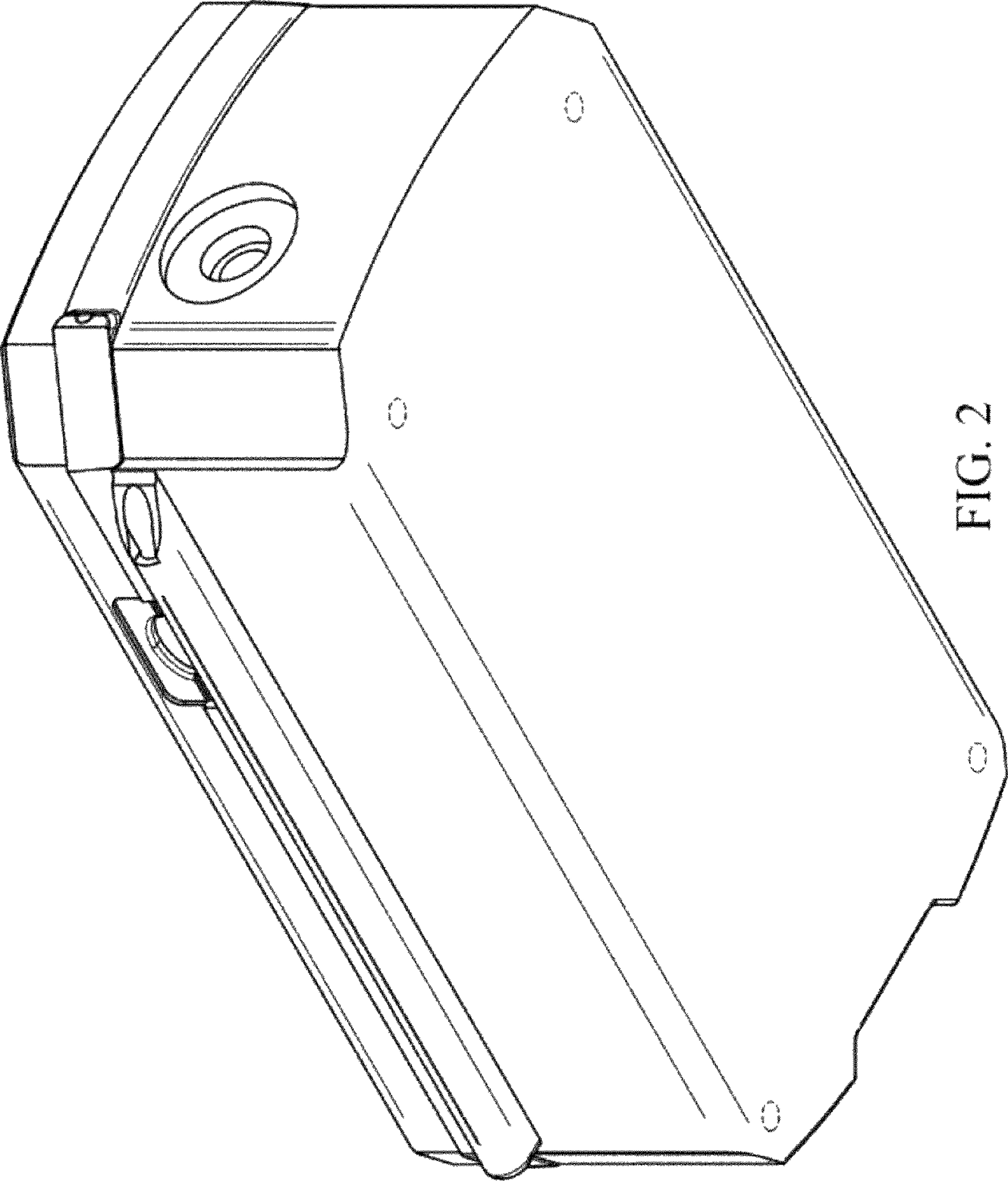


FIG. 2

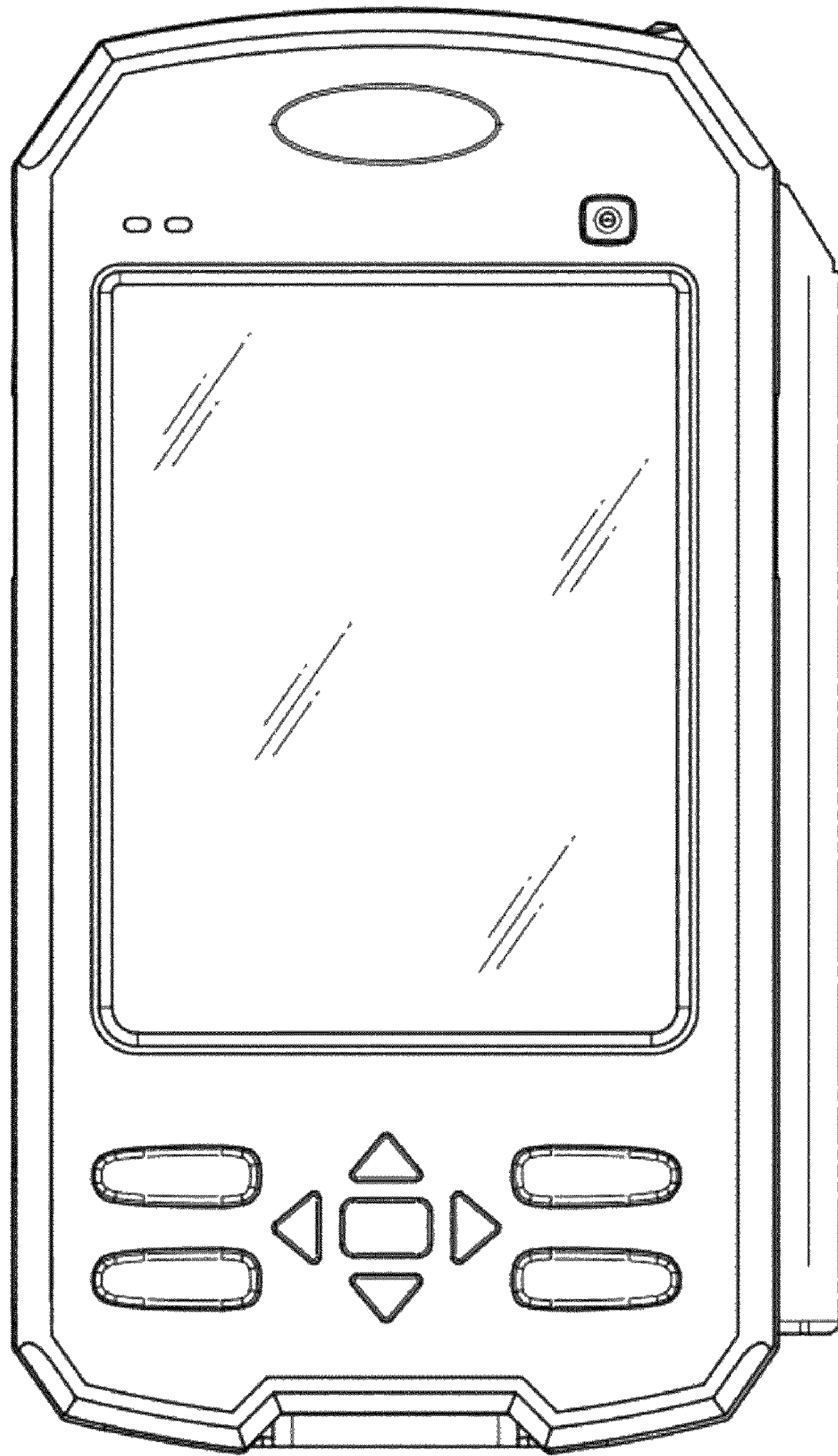


FIG. 3

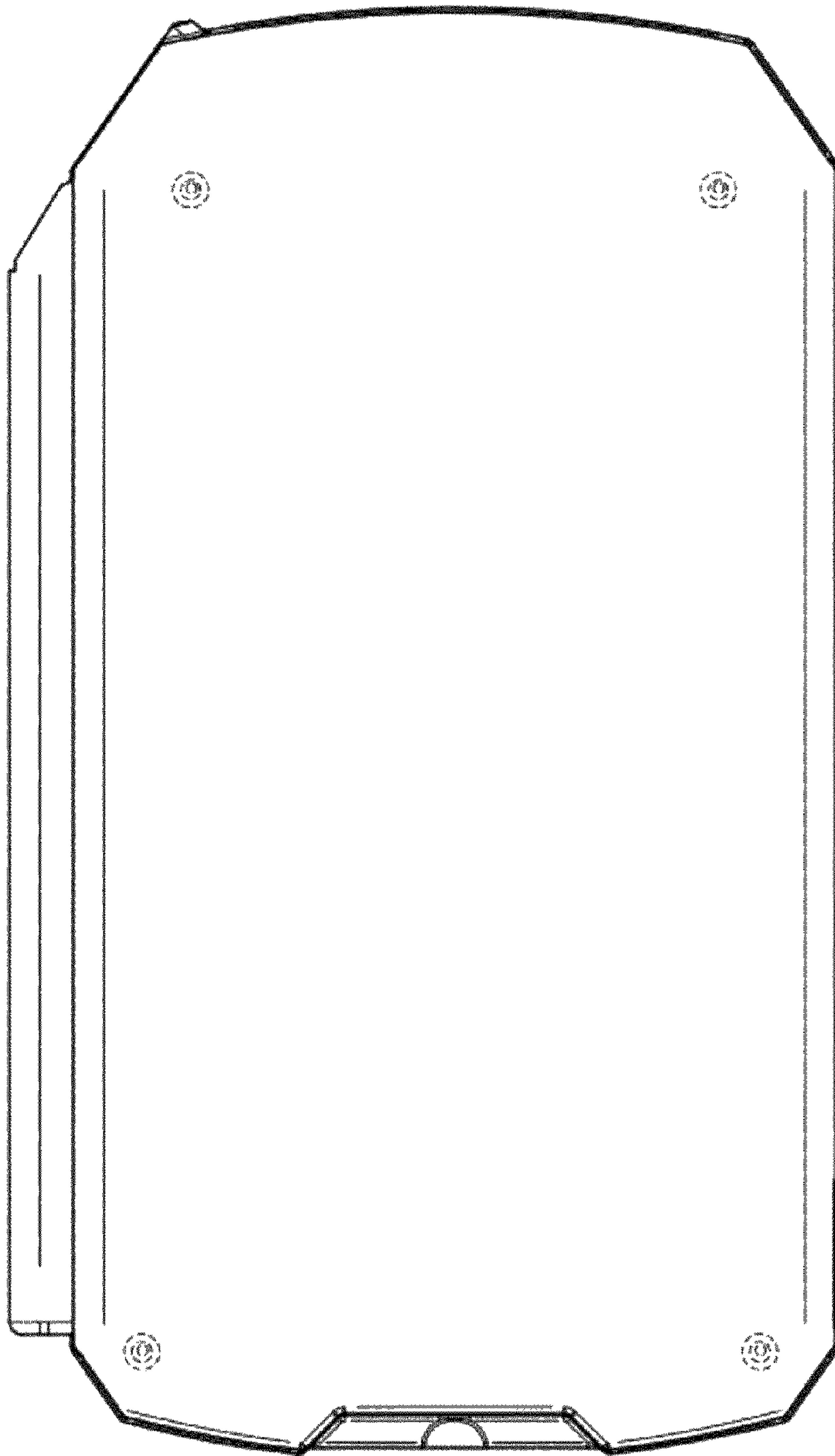


FIG. 4

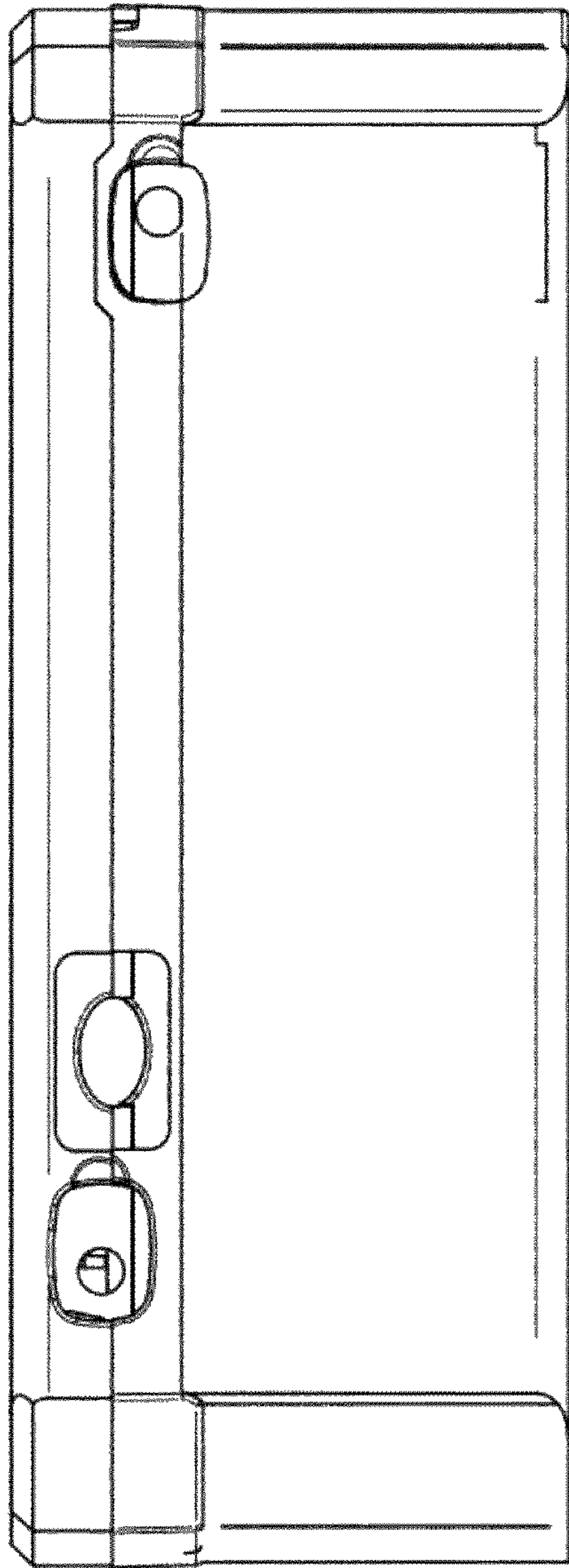


FIG. 5

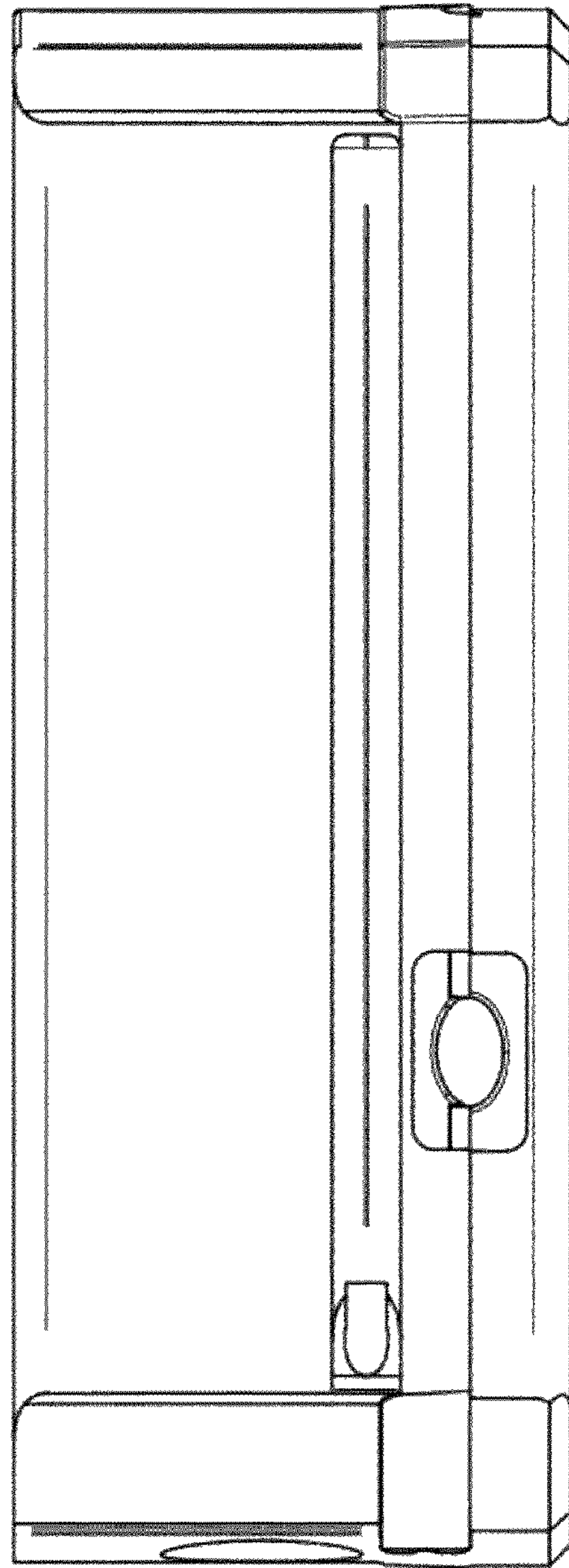


FIG. 6

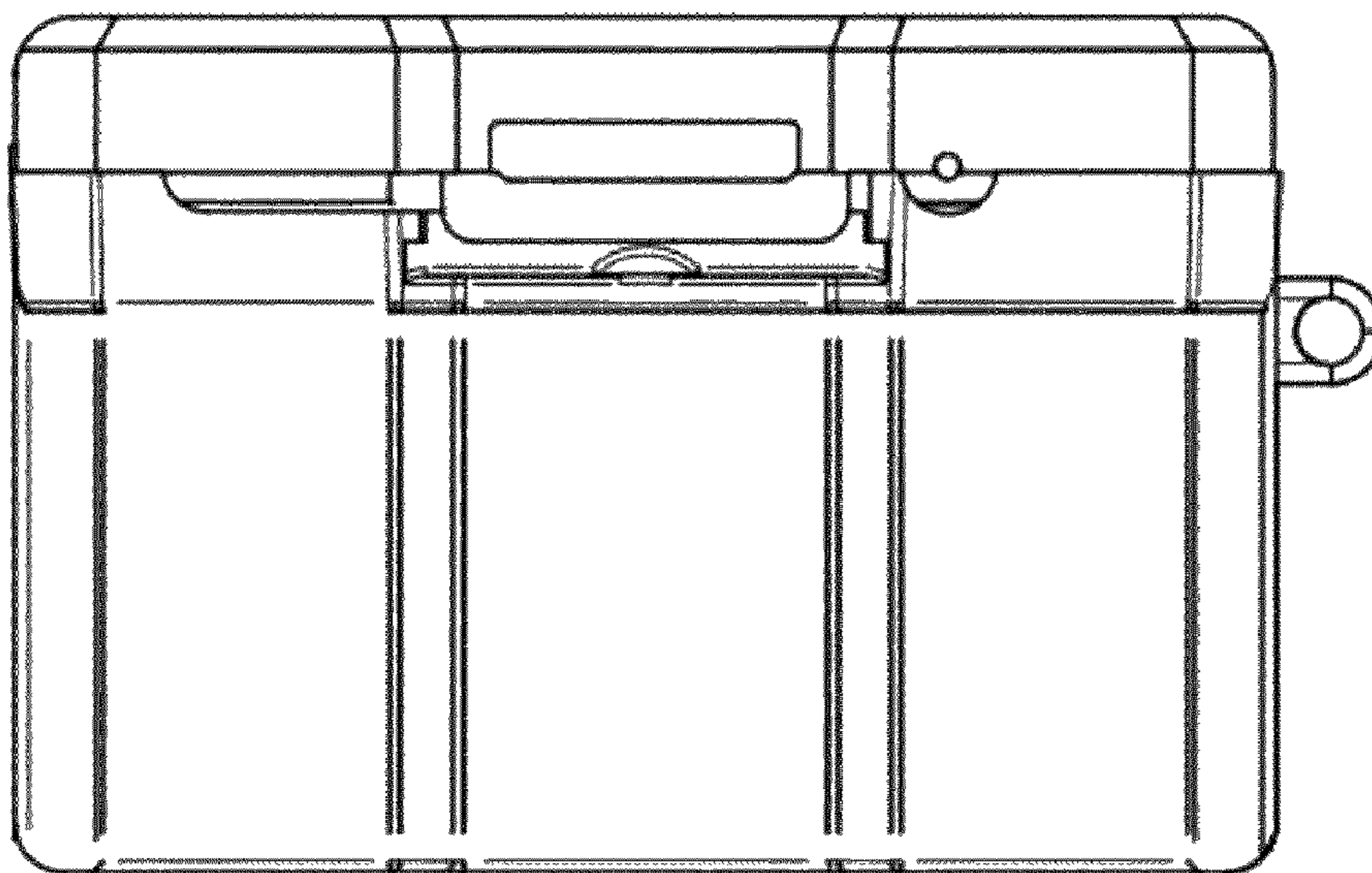


FIG. 7

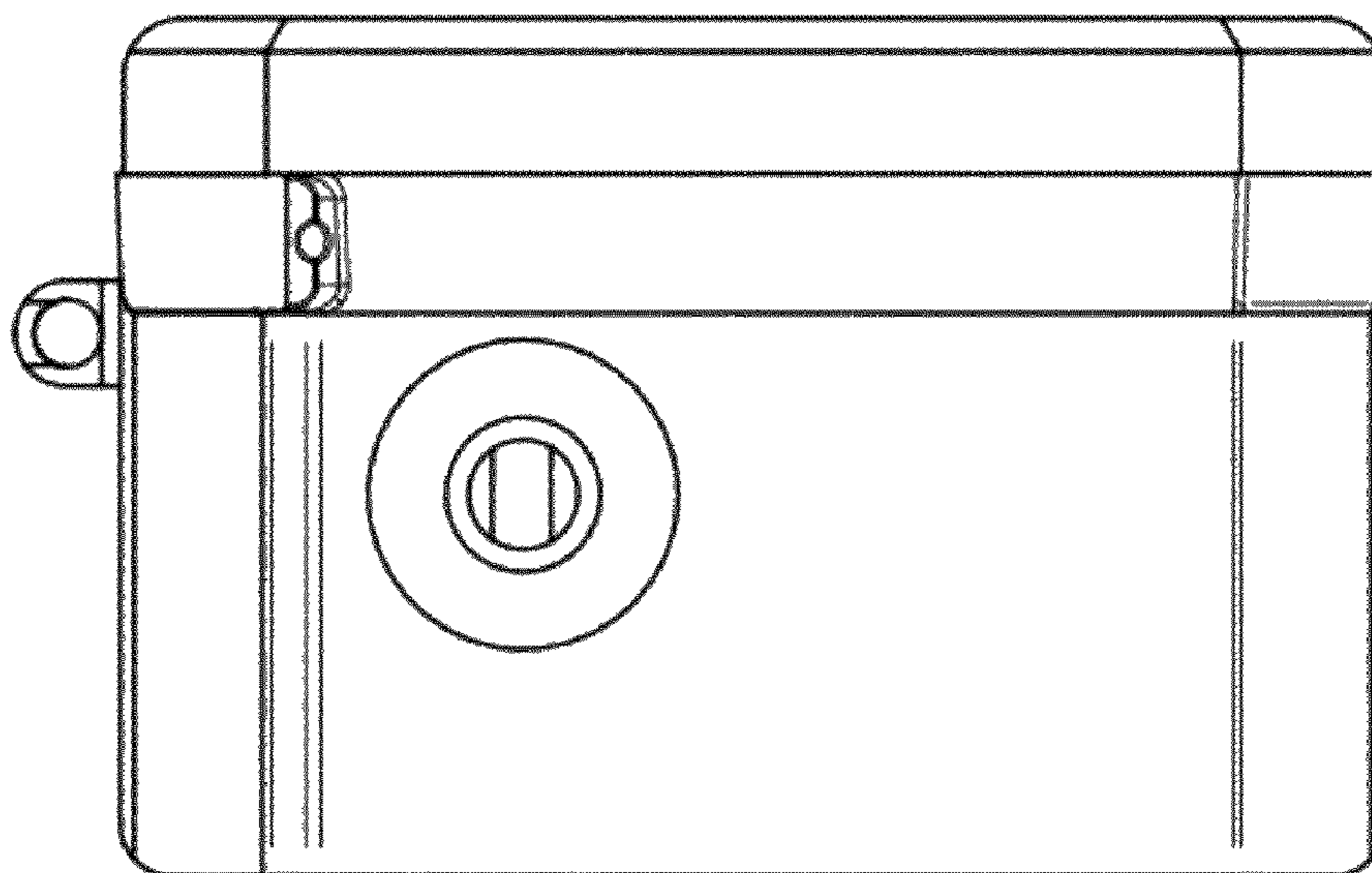


FIG. 8