



US00D655266S

(12) **United States Design Patent**
Kim

(10) **Patent No.:** **US D655,266 S**

(45) **Date of Patent:** **** Mar. 6, 2012**

(54) **TELEVISION RECEIVER**

(75) Inventor: **Young Se Kim**, Seoul (KR)

(73) Assignee: **LG Display Co., Ltd**, Seoul (KR)

(**) Term: **14 Years**

(21) Appl. No.: **29/394,652**

(22) Filed: **Jun. 20, 2011**

(30) **Foreign Application Priority Data**

Dec. 21, 2010 (KR) 30-2010-0055163

(51) **LOC (9) Cl.** **14-03**

(52) **U.S. Cl.** **D14/126**

(58) **Field of Classification Search** D14/125-134,
D14/239, 371, 136, 374-377, 440, 450, 448,
D14/336, 342; 312/7.2; 348/836, 838, 180,
348/184, 325, 739; 341/12; 248/917-924,
248/465; 345/104, 133, 156, 168, 87, 173;
720/605, 669, 600, 655; 369/99, 197; 455/344-347;
D21/329, 515, 577, 622, 333, 433, 448, 452,
D21/450, 331; D6/477, 479, 300; 273/148 B;
446/484, 175, 356; D10/15, 26
See application file for complete search history.

(56) **References Cited**

U.S. PATENT DOCUMENTS

D323,324 S *	1/1992	Suda	D14/125
D494,165 S *	8/2004	Yokota	D14/341
D529,005 S *	9/2006	Hong	D14/126
D529,883 S *	10/2006	Hoehn et al.	D14/126
D535,953 S *	1/2007	Fujii	D14/126

D547,740 S *	7/2007	Otani	D14/126
D561,126 S *	2/2008	Hoehn et al.	D14/126
D564,993 S *	3/2008	Lee	D14/126
D597,976 S *	8/2009	Gredler et al.	D14/126
D597,977 S *	8/2009	Won et al.	D14/126
D609,661 S *	2/2010	VanDuyn et al.	D14/126
D616,400 S *	5/2010	Lee et al.	D14/126

* cited by examiner

Primary Examiner — Raphael Barkai

(74) *Attorney, Agent, or Firm* — Birch, Stewart, Kolasch & Birch, LLP

(57) **CLAIM**

The ornamental design for a television receiver, as shown and described.

DESCRIPTION

FIG. 1 is a perspective view of a television receiver showing my new design;
FIG. 2 is a front view thereof;
FIG. 3 is a rear view thereof;
FIG. 4 is a left side view thereof where the right side view is a mirror image;
FIG. 5 is a top plan view thereof;
FIG. 6 is a bottom plan view thereof;
FIG. 7 is a perspective view thereof showing the state that the stand parts of the television receiver have been folded and then the television receiver has been attached to a wall; and,
FIG. 8 is an enlarged view taken along line A-A, B-B, C-C and D-D.

The broken lines shown in FIG. 7 are for illustrative purposes only and form no part of the claimed design.

1 Claim, 7 Drawing Sheets

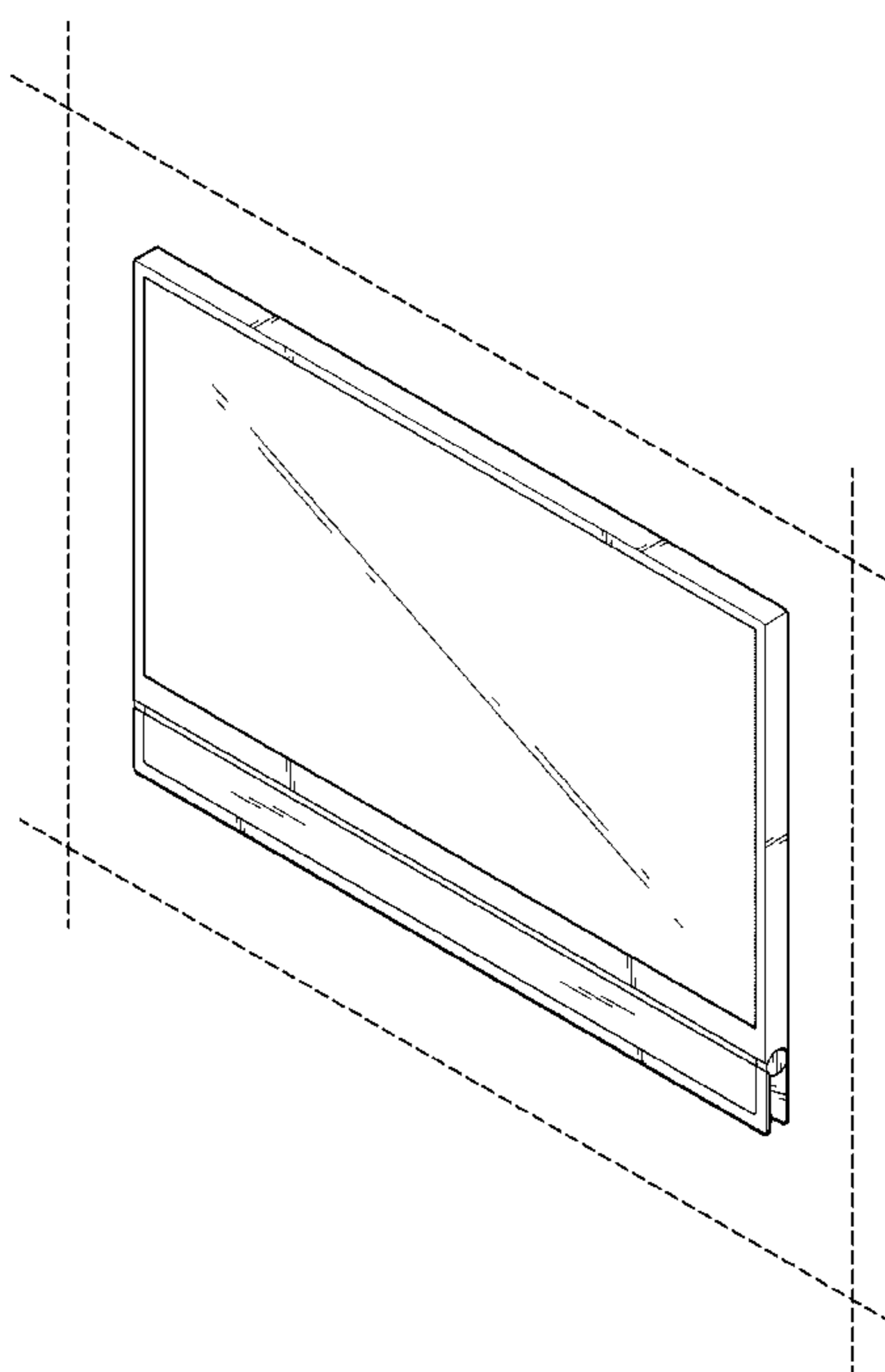
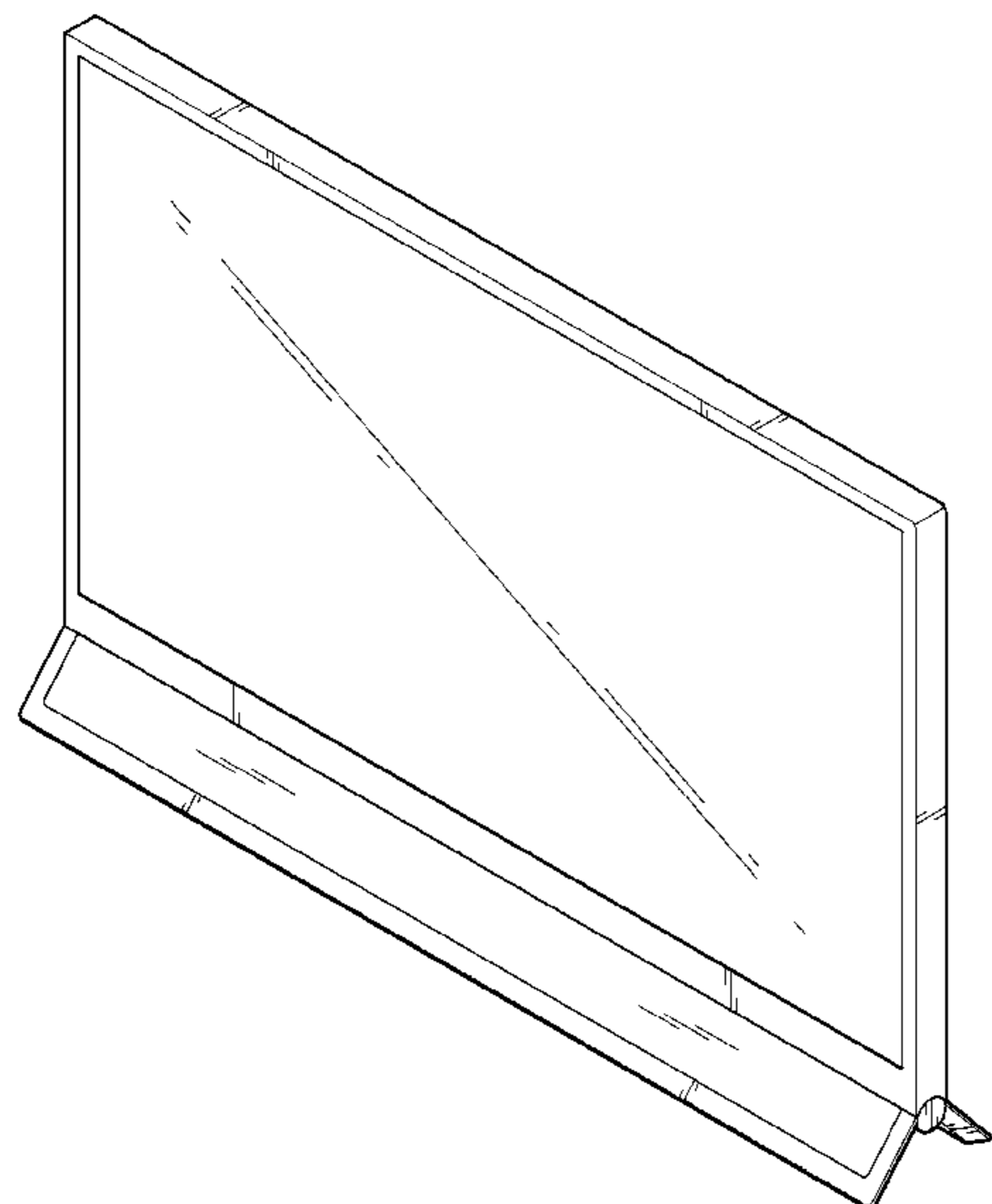


FIG. 1

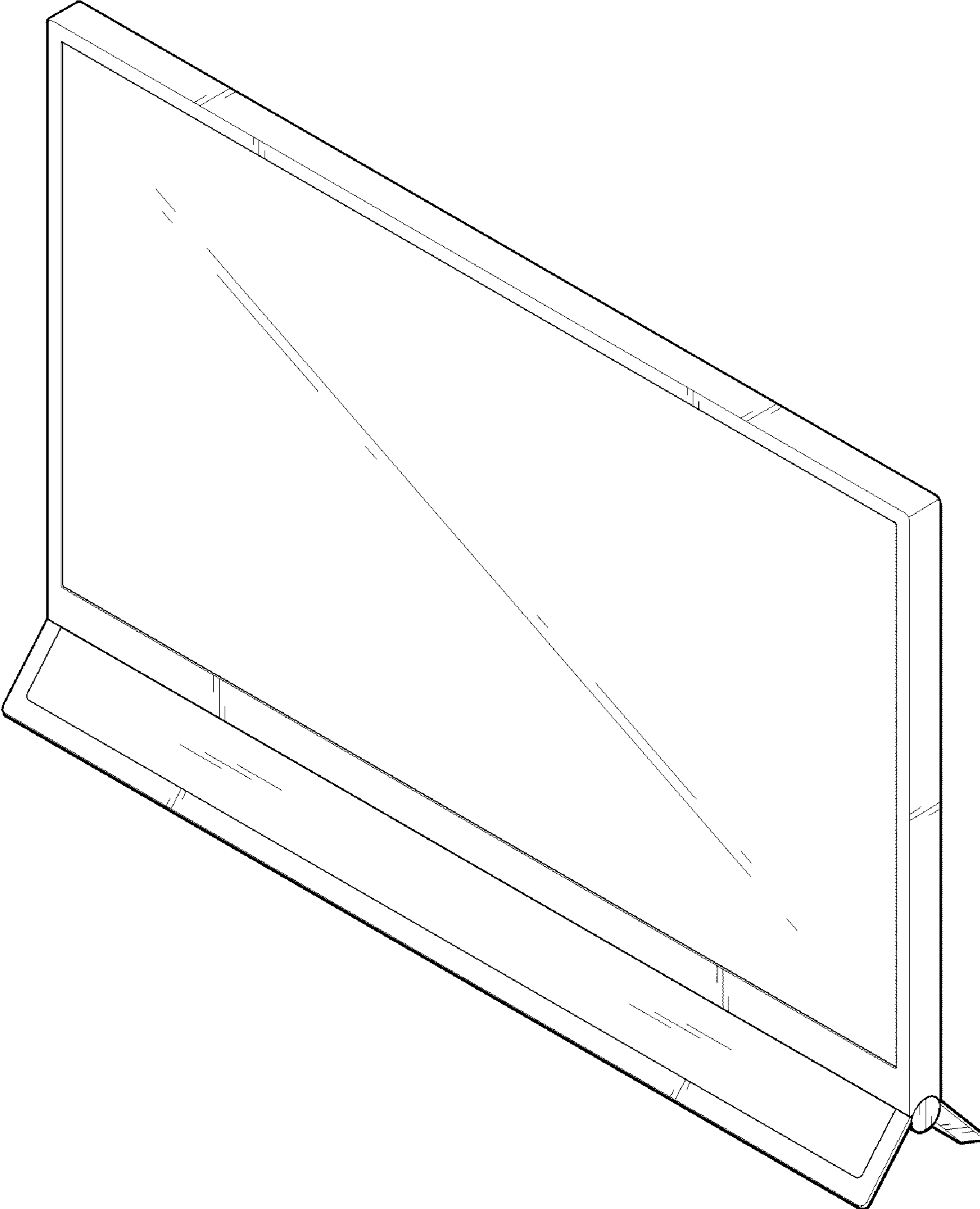


FIG. 2

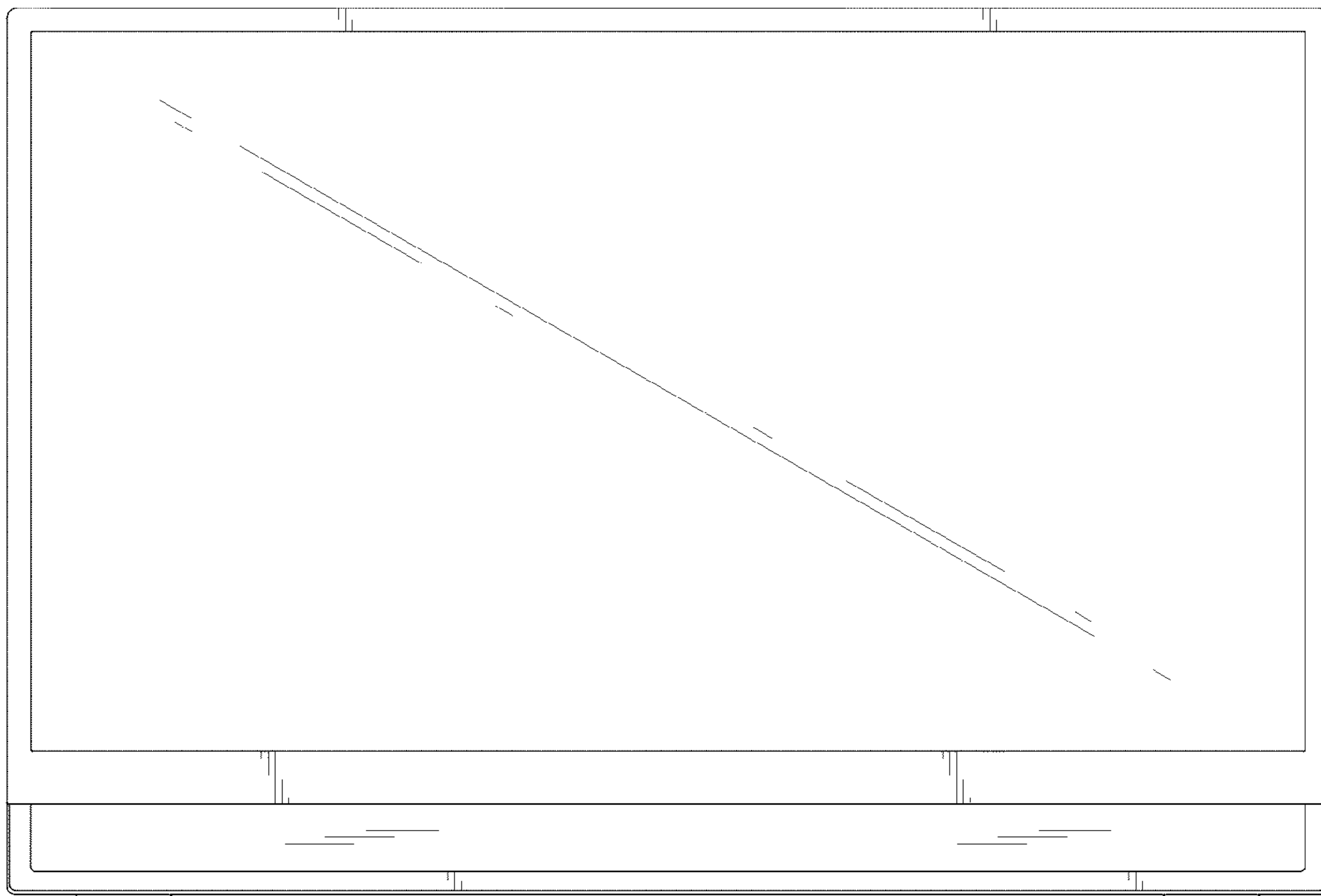


FIG. 3

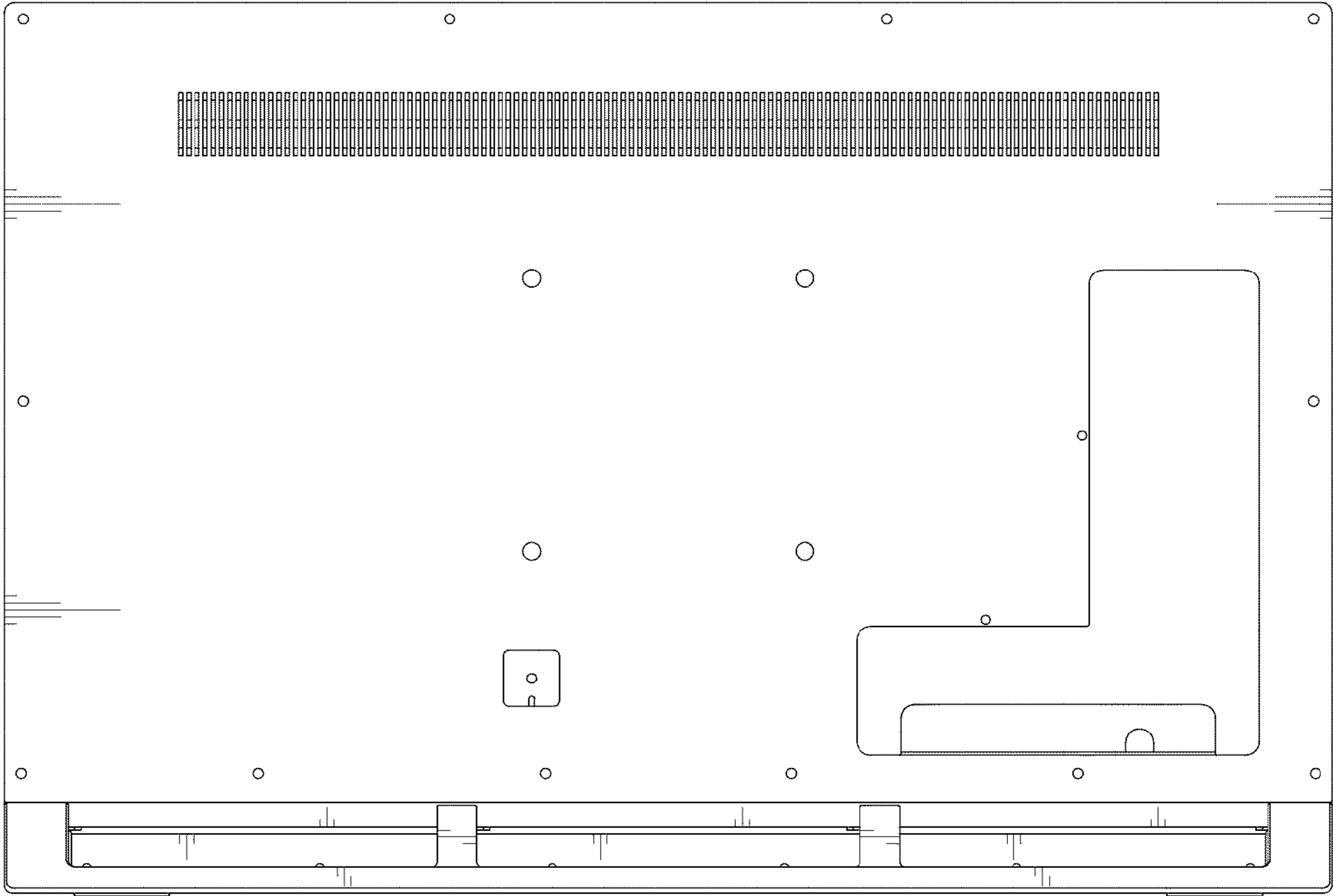


FIG. 4

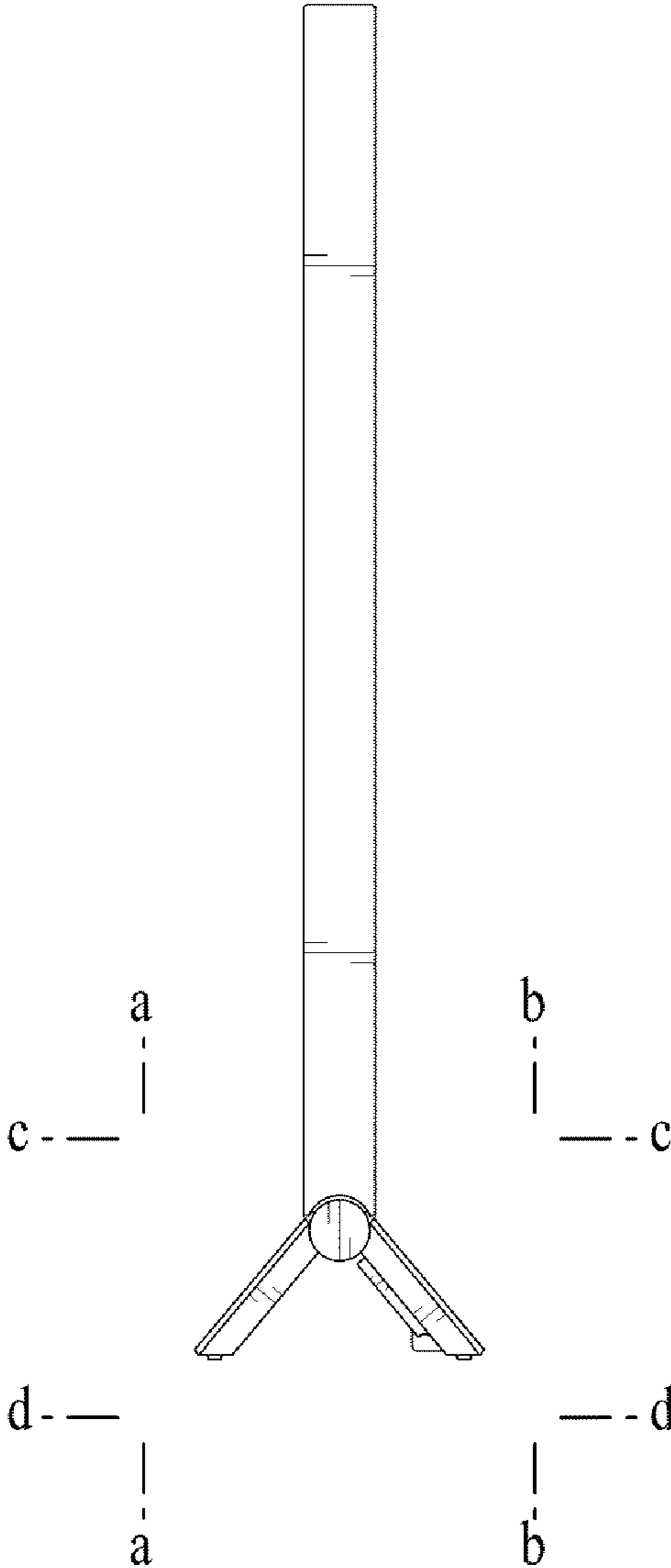


FIG. 5

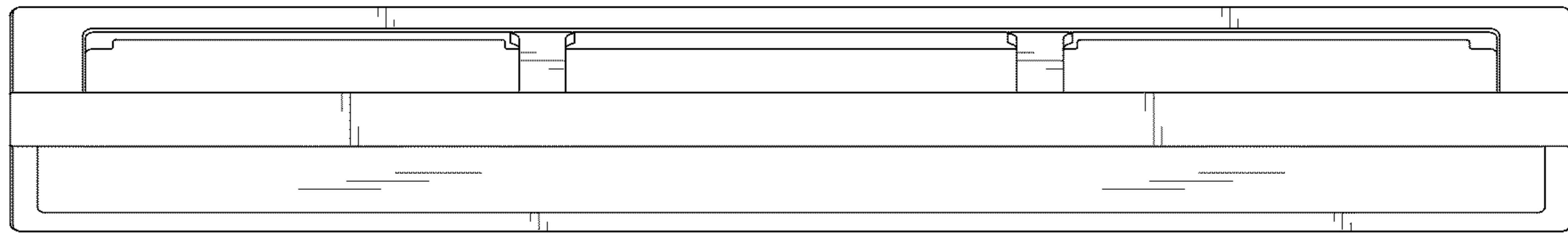


FIG. 6

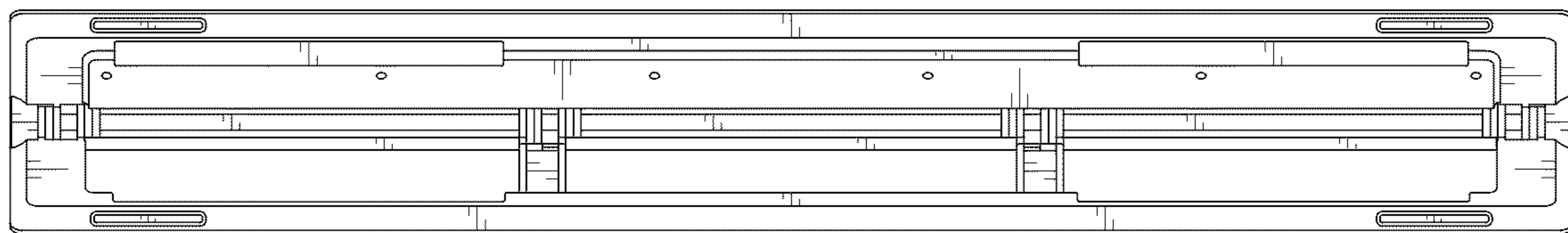


FIG. 7

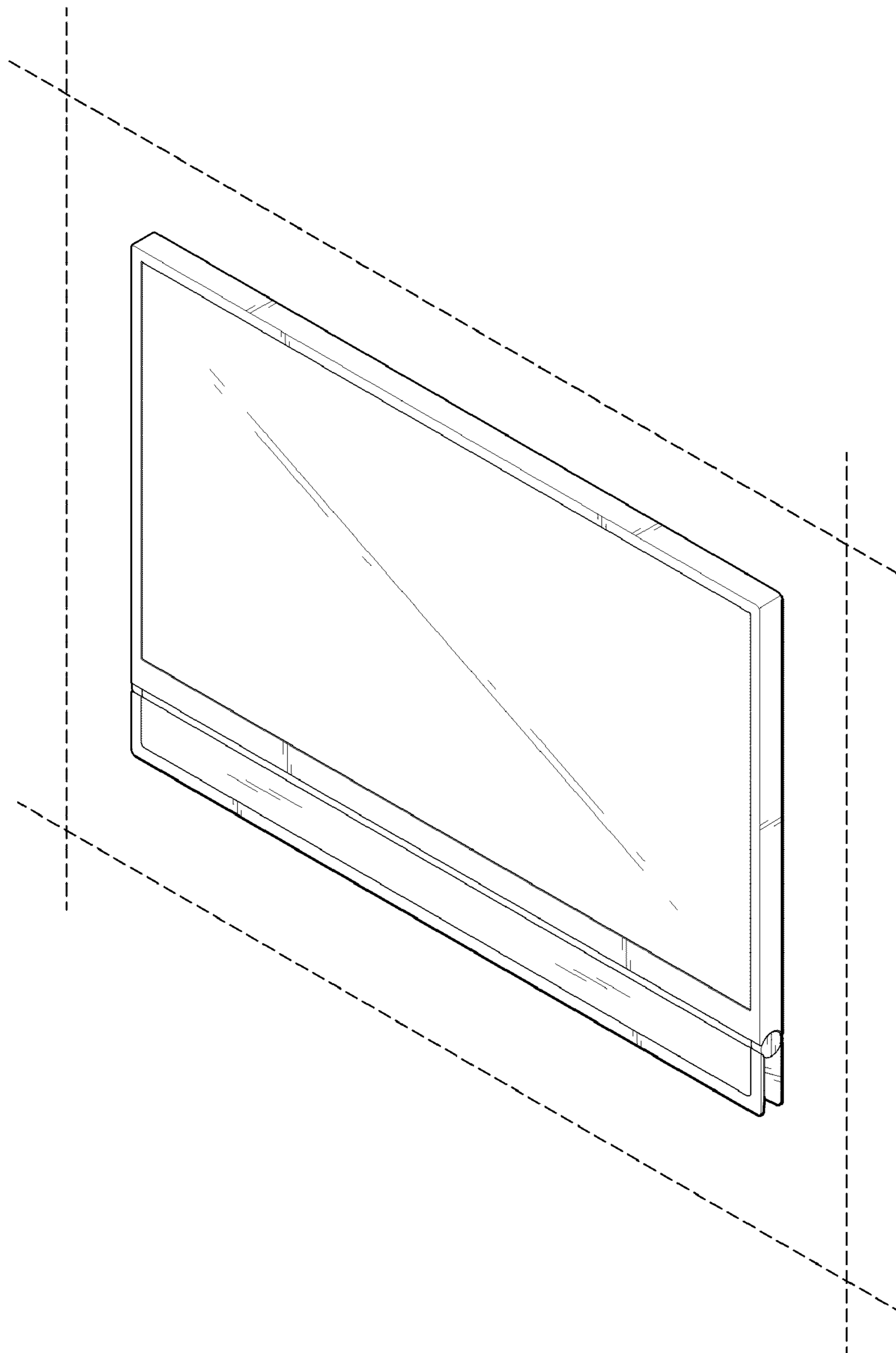


FIG. 8

