



US00D655261S

(12) **United States Design Patent**  
**Honma et al.**

(10) **Patent No.:** **US D655,261 S**  
(45) **Date of Patent:** **\*\* Mar. 6, 2012**

(54) **GAS-SEPARATING PLATE FOR REACTOR FOR MANUFACTURING SEMICONDUCTOR**

(75) Inventors: **Manabu Honma**, Oshu (JP); **Katsuyuki Hishiya**, Oshu (JP)

(73) Assignee: **Tokyo Electron Limited**, Minato-Ku (JP)

(\*\*) Term: **14 Years**

(21) Appl. No.: **29/389,566**

(22) Filed: **Apr. 13, 2011**

(30) **Foreign Application Priority Data**

Oct. 21, 2010 (JP) ..... 2010-025242

(51) **LOC (9) Cl.** ..... **13-03**

(52) **U.S. Cl.** ..... **D13/182**

(58) **Field of Classification Search** ..... D13/182;  
D23/413, 414; 118/724, 725; 432/241, 253,  
432/260

See application file for complete search history.

(56) **References Cited**

**U.S. PATENT DOCUMENTS**

3,618,921 A \* 11/1971 Corbett, Jr. .... 432/260  
5,709,543 A \* 1/1998 Shimazu ..... 432/241  
6,379,466 B1 \* 4/2002 Sahin et al. .... 118/724

D600,220 S \* 9/2009 Sato ..... D13/182  
7,625,205 B2 \* 12/2009 Sasajima et al. .... 432/253  
D615,937 S \* 5/2010 Sato ..... D13/182  
D616,392 S \* 5/2010 Sato ..... D13/182  
7,798,811 B2 \* 9/2010 Nitadori et al. .... 432/241  
2005/0056218 A1 \* 3/2005 Sun et al. .... 118/715  
2005/0252447 A1 \* 11/2005 Zhao et al. .... 118/715  
2007/0131168 A1 \* 6/2007 Gomi et al. .... 118/715  
2009/0159002 A1 \* 6/2009 Bera et al. .... 118/715

\* cited by examiner

*Primary Examiner* — Selina Sikder

(74) *Attorney, Agent, or Firm* — Burr & Brown

(57) **CLAIM**

The ornamental design for gas-separating plate for reactor for manufacturing semiconductor, as shown and described.

**DESCRIPTION**

FIG. 1 is front perspective view of a gas-separating plate for reactor for manufacturing semiconductor illustrating our new design;

FIG. 2 is a front view thereof;

FIG. 3 is a rear view thereof;

FIG. 4 is a right side view thereof;

FIG. 5 is a left side view thereof;

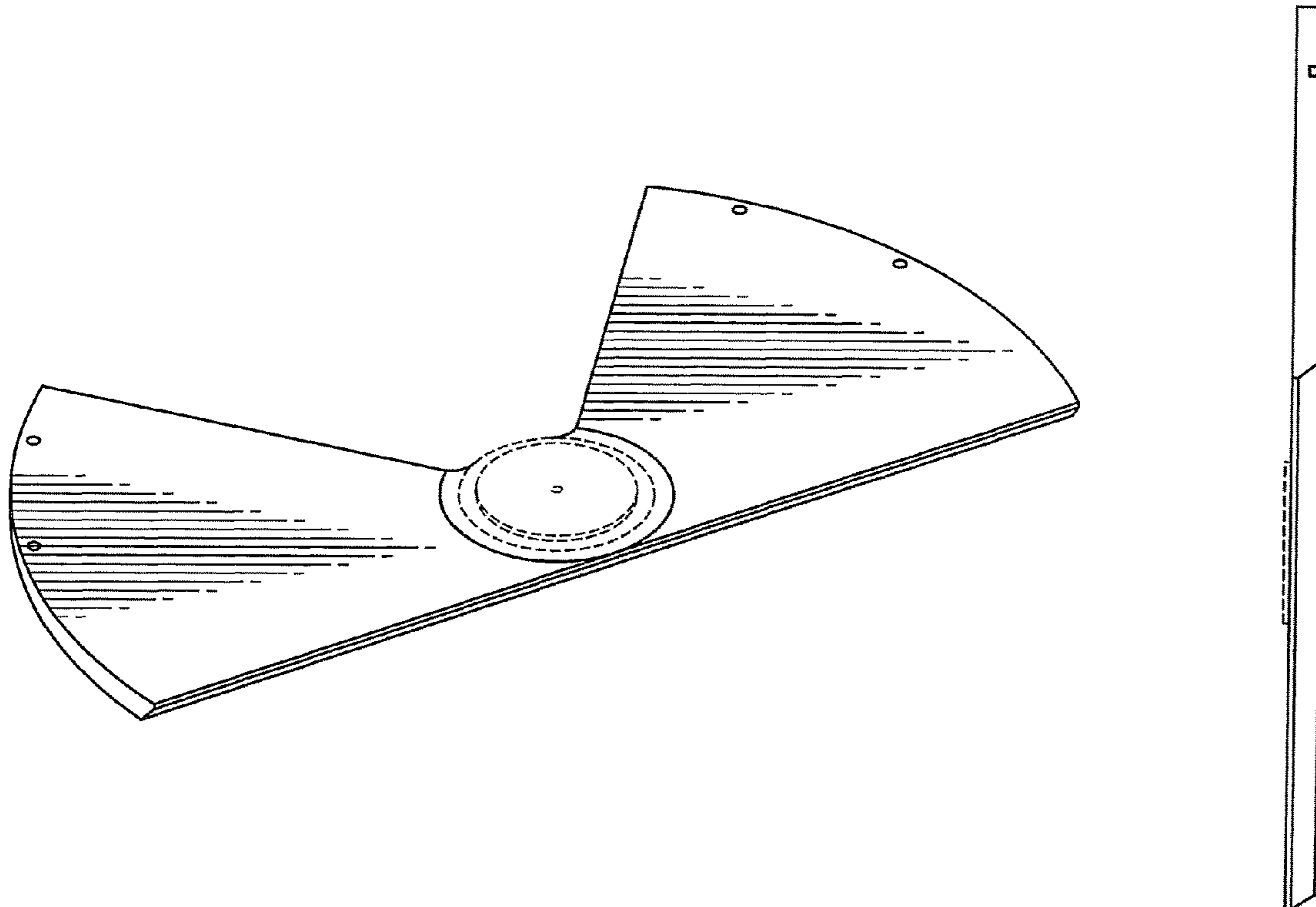
FIG. 6 is a top view thereof;

FIG. 7 is a bottom view thereof; and,

FIG. 8 is a sectional view taken along line 8-8 of FIG. 2.

The broken lines are shown for illustrative purposes only and form no part of the claimed design.

**1 Claim, 4 Drawing Sheets**



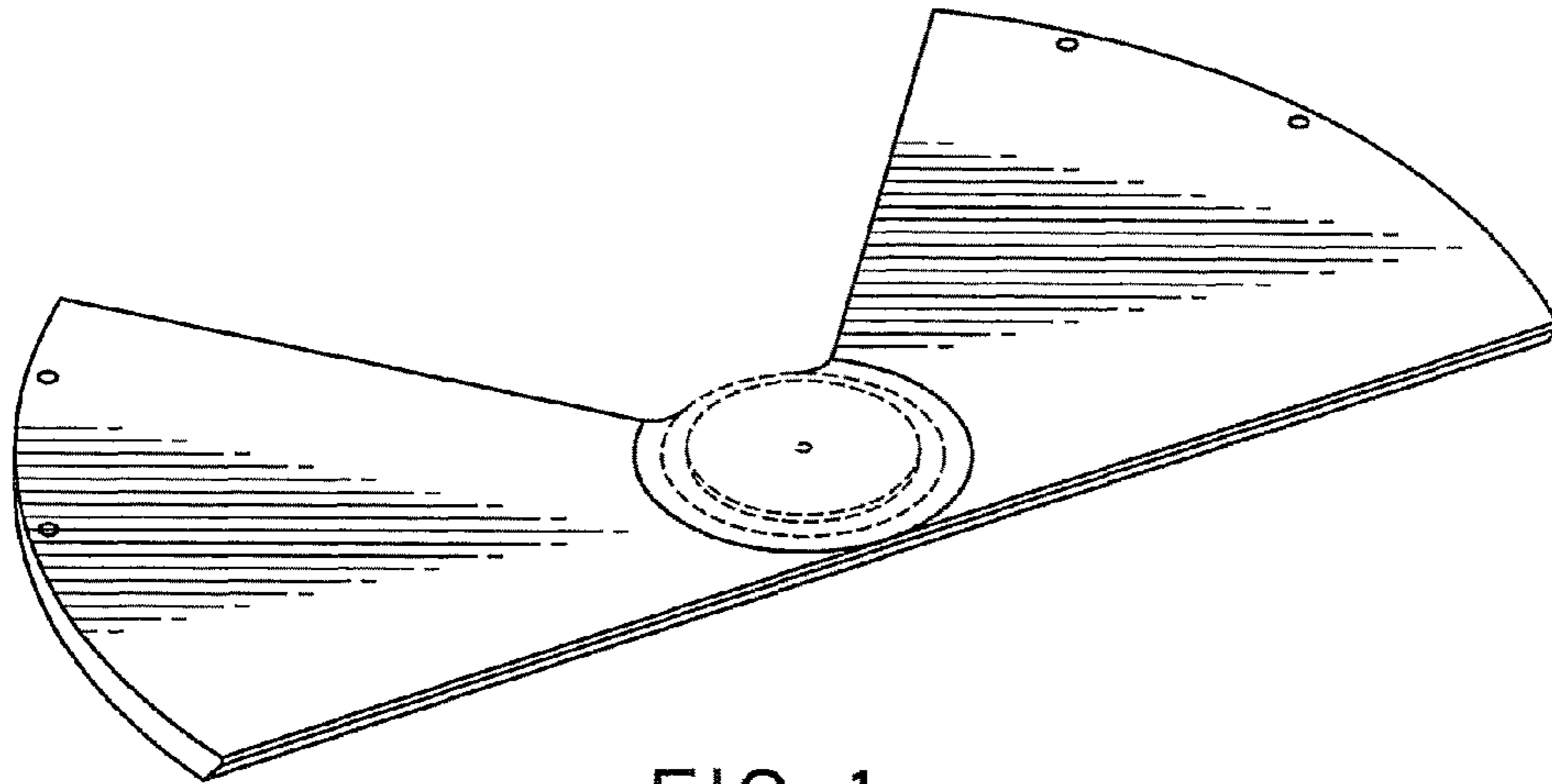


FIG. 1

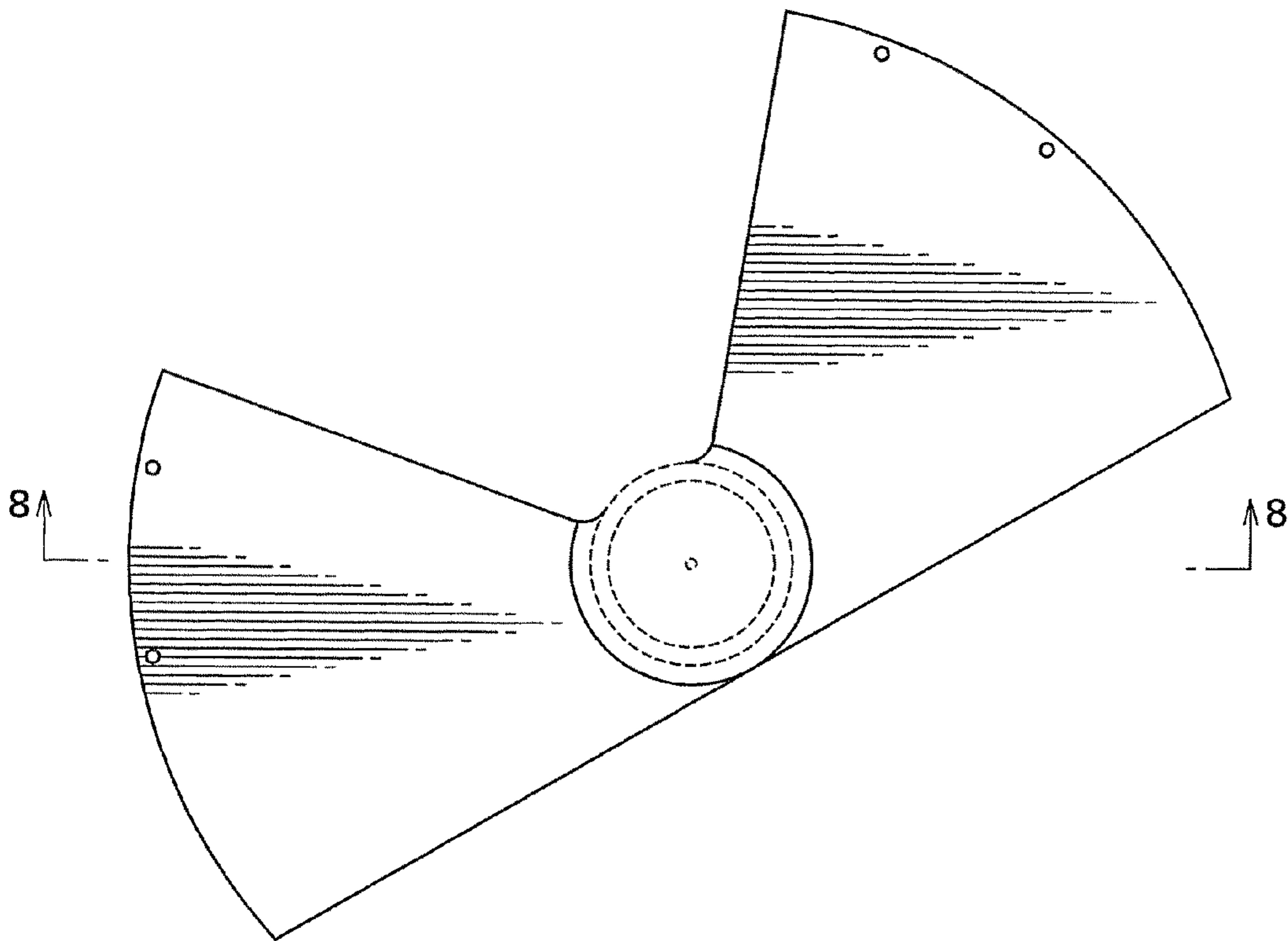


FIG. 2

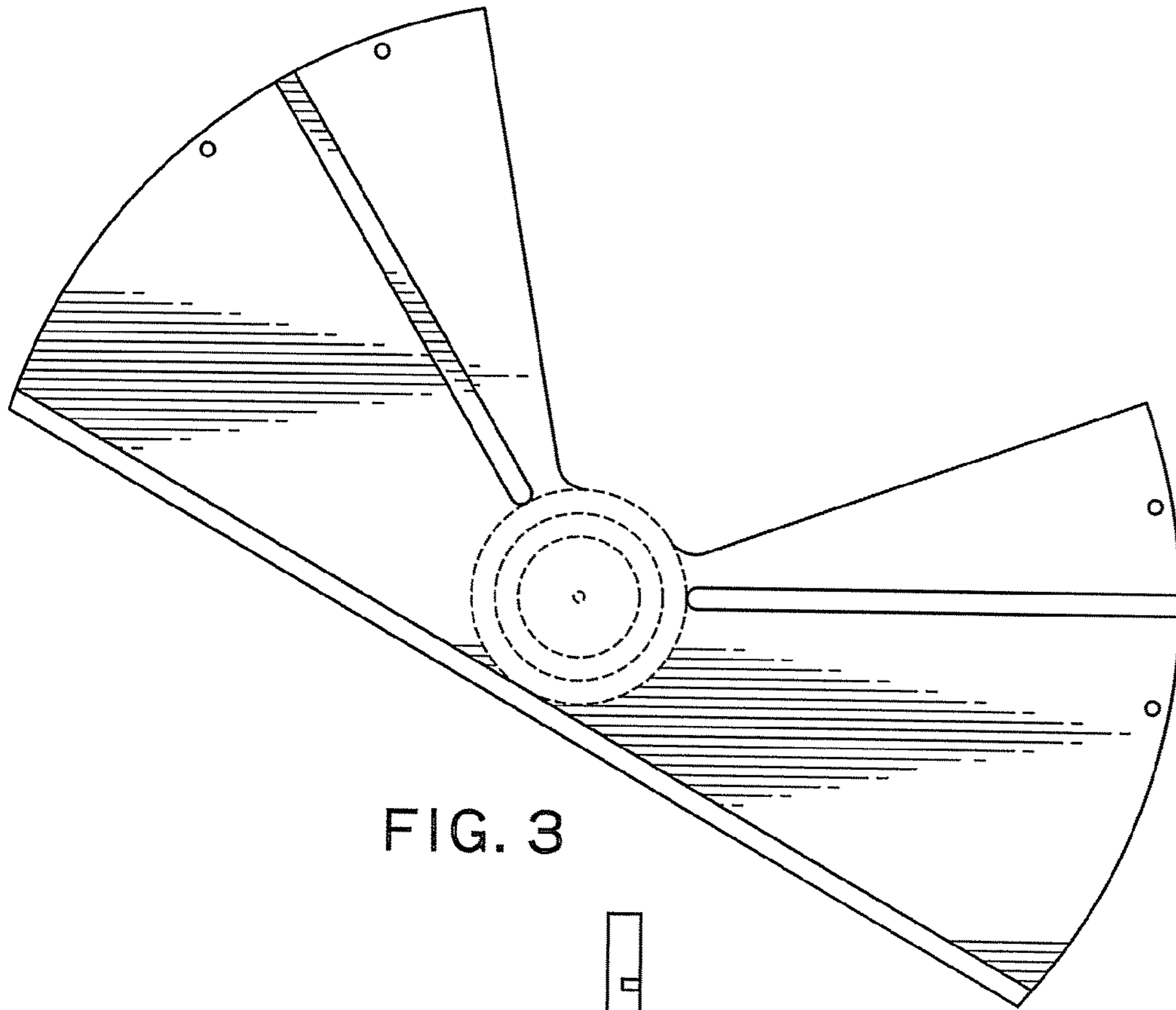


FIG. 3



FIG. 4



FIG. 5



FIG. 6

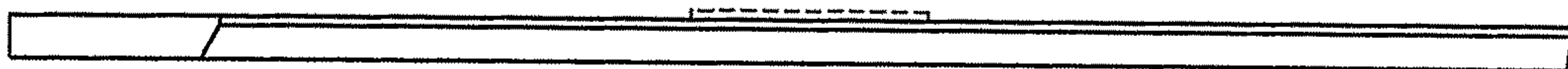


FIG. 7

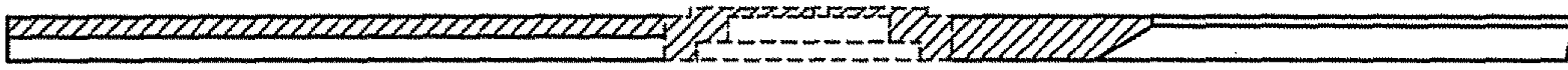


FIG. 8